

KINTEK

CARTRIDGES - CARTUCCE



CARTRIDGES 

EINBAUHALTER 

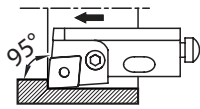
КАРТРИДЖИ 

CARTOUCHES 

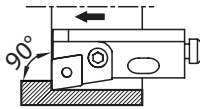
CARTUCCE 

刀头 

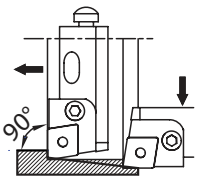
EINBAUHALTER
CARTRIDGES
КАРТРИДЖИ
CARTOUCHES
CARTUCCE
刀头



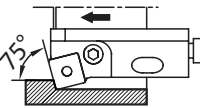
PCLN
Page 520



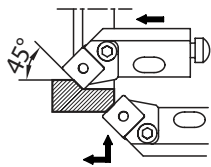
PCFN
Page 520



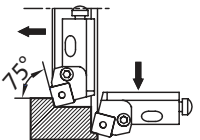
PCGN
Page 521



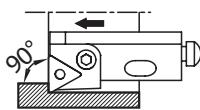
PSKN
Page 521



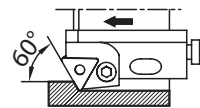
PSSN
Page 522



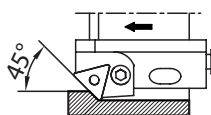
PSRN
Page 522



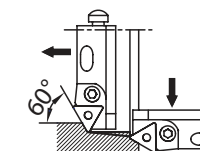
PTFN
Page 523



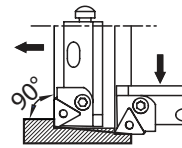
PTWN
Page 523



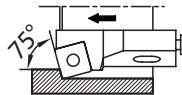
PTSN
Page 524



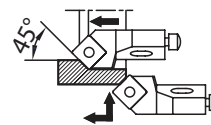
PTTN
Page 524



PTGN
Page 525



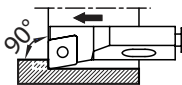
SSKC
Page 525



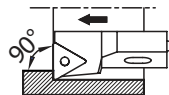
SSSC
Page 526



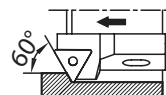
SCLC
Page 526



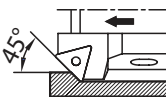
SCFC
Page 527



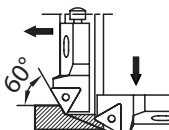
STFC
Page 527



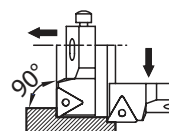
STWC
Page 528



STSC
Page 528



STTC
Page 529



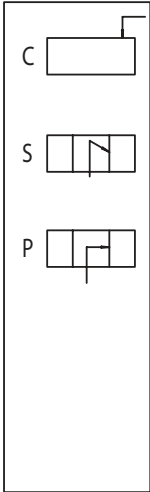
STGC
Page 529

BESTELNUMMERN-SCHLÜSSEL FÜR EINBAUHALTER
 CODE KEY FOR CARTRIDGES
 СИСТЕМА ОБОЗНАЧЕНИЯ КАРТРИДЖЕЙ

CODIFICATION DES CARTOUCHES
 CHIAVE DEI CODICI DELLE CARTUCCE
 刀头代码键

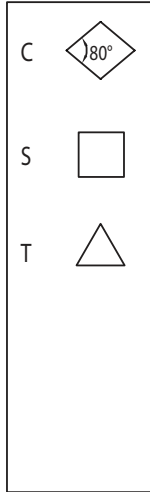
①

Spannsystem
Clamping system
Système de serrage
Sistema di bloccaggio
Система крепления СМП
夹紧系统



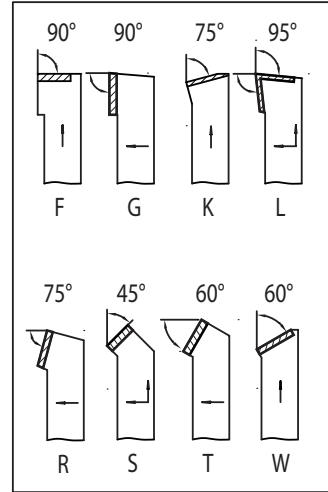
②

Platteform
Insert Shape
Forme des plaquettes
Forma degli inserti
Форма пластины
插件形状



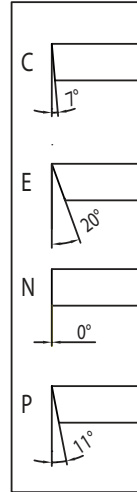
③

Einbauhalterausrührung, Einstellwinkel
Cartridge style, entering angle
Type de cartouche, angle d'attaque
Tipo di cartuccia, angolo di registrazione
Угол в плане
刀头样式, 进刀角度



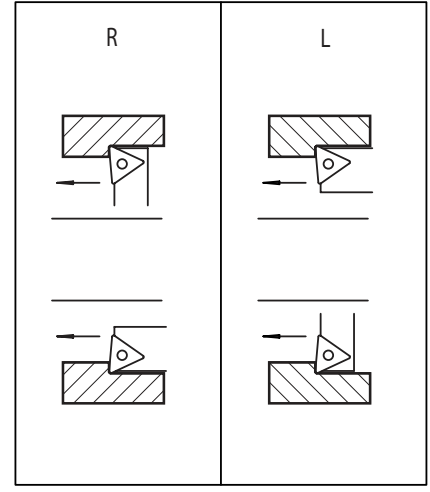
④

Freiwinkel
Clearance angle
Angle de depouil
Angolo di spoglio
Задний угол
间隙角度



⑤

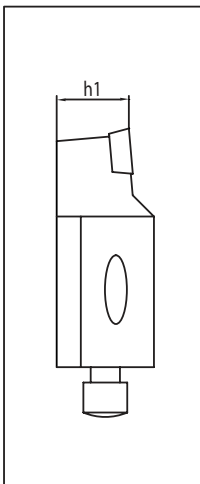
Vorshubrichtung
Feeding direction
Sens de l'avance
Senso di avanzamento
Исполнение (прав./лев.)
进给方向



P C L N R 16 C A - 12

⑥

Schneidkantenhöhe
Cutting edge height
Hauteur de l'arête de coupe
Altezza del tagliente
Высота режущей кромки
切削刃高度



⑦

Haltertyp
Type of tool
Type d'outil
Tipo di utensile
Тип инструмента
工件类型

C = Einbauhalter
C = Cartridge
C = Cartouche
C = Cartuccia

⑧

Ausführung
Type of design
Construction
Tipo di progetto
Тип конструкции
设计类型

A = Buchstabe für alternative Konstruktionen nach ISO 5611
A = Letter for alternative designs according to ISO 5611
A = Type de construction du cartouche selon ISO 5611
A = Lettera per progettazioni alternative secondo ISO 5611

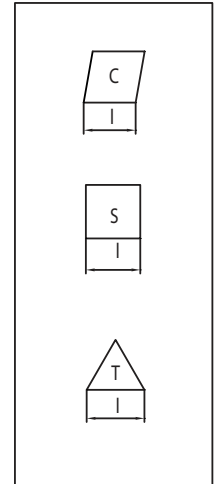
⑨

Werkzeuglänge
Tool length
Longueur de l'outil
Lunghezza utensile
Длина инструмента
工件长度

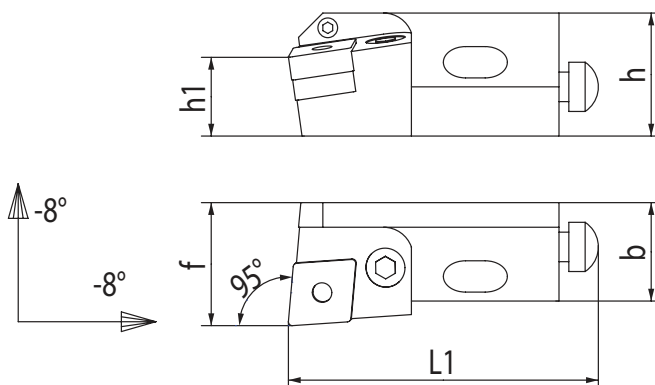
- Der Bindestrich bedeutet: Werkzeuglänge nach ISO 5611
- The dash means tool length according to ISO 5611
- Le tiret désigne une longueur d'outil selon ISO 5611
- Il trattino indica che la lunghezza della cartuccia è conforme alle norme ISO 5611

⑩

Schneidkantenlänge
Insert cutting edge length
Longueur des arêtes des plaquettes
Lunghezza del profilo inserto
Длина режущей кромки
插件的切削边缘长度

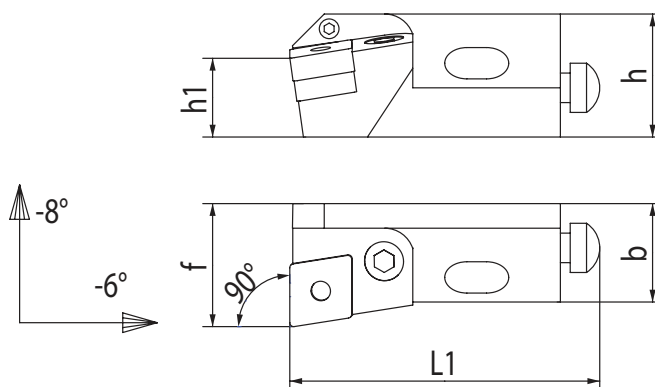


PCLN



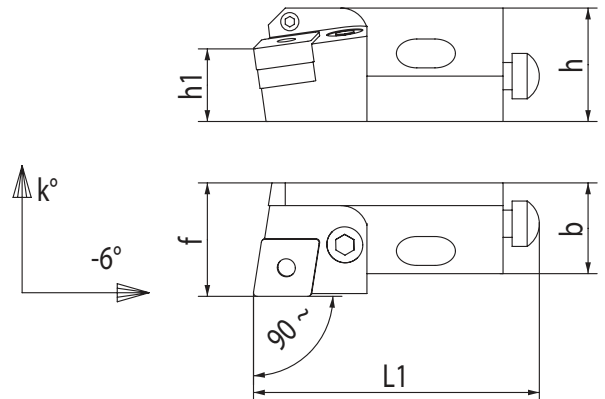
Code N.	h	h1	b	L1	f	Dmin.	Inserts N.	Support pad	Lever	Screw	Shimpin	Chiave
PCLNR/L 12CA-12	20	12	15	55	20	50	CNM..1204..					2.5
PCLNR/L 16CA-12	25	16	20	63	25	55	CNM..1204..	KA1	K112	K122	KD1	3
PCLNR/L 20CA-16	30	20	20	70	25	70	CNM..1606..	KY2	KB5	KC5c	KD5	3
PCLNR/L 25CA-19	38	25	25	100	32	100	CNM..1906..	KA2	K113	K123	K131	4

PCFN

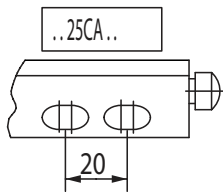


Code N.	h	h1	b	L1	f	Dmin.	Inserts N.	Support pad	Lever	Screw	Shimpin	Chiave
PCFNR/L 12CA-12	20	12	15	55	20	50	CNM..1204..					2.5
PCFNR/L 16CA-12	25	16	20	63	25	55	CNM..1204..	KA1	K112	K122	KD1	3
PCFNR/L 20CA-16	30	20	20	70	25	70	CNM..1606..	KY2	KB5	KC5c	KD5	3
PCFNR/L 25CA-19	38	25	25	100	32	100	CNM..1906..	KA2	K113	K123	K131	4

PCGN

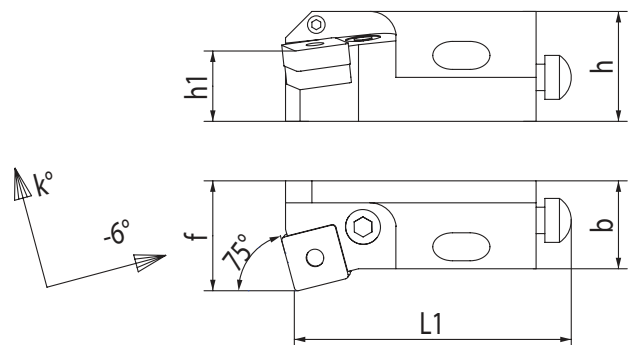


Code N.	h	h1	b	L1	f	Dmin.	k	Inserts N.	Support pad	Lever	Screw	Shimpin	Chiave
PCGNR/L 16CA-12	25	16	20	63	25	60	-10°	CNM..1204..					
PCGNR/L 25CA-19	38	25	25	100	32	100	-8°	CNM..1906..					



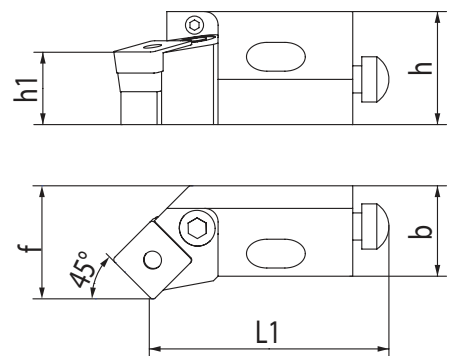
Ricambi cartucce per ...	Screw	Chiave	Screw	Screw	Chiave
..12CA..	KGRL12				
..16CA..	KGRL16				
..20CA..	KGRL20				
..25CA..	KGRL25				

PSKN



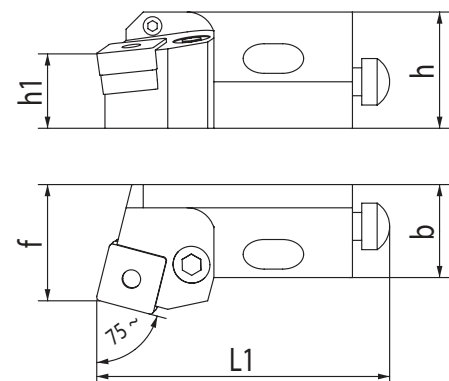
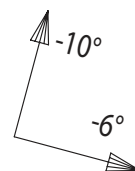
Code N.	h	h1	b	L1	f	Dmin.	k	Inserts N.	Support pad	Lever	Screw	Shimpin	Chiave
PSKNR/L 12CA-12	20	12	15	55	20	50	-8°	SNM..1204..					
PSKNR/L 16CA-12	25	16	20	63	25	55	-7°	SNM..1204..					
PSKNR/L 20CA-15	30	20	20	70	25	70	-8°	SNM..1506..					
PSKNR/L 25CA-19	38	25	25	100	32	100	-7°	SNM..1906..					

PSSN

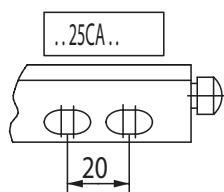


Code N.	h	h1	b	L1	f	Dmin.	k1	k2	Inserts N.	Support pad	Lever	Screw	Shimpin	Chiave
PSSNR/L 12CA-12	20	12	15	47	20	50	-3°	-10°	SNM..1204..					
PSSNR/L 16CA-12	25	16	20	53	25	55	0°	-11°	SNM..1204..	KA4	K112	K122	KD1	3
PSSNR/L 20CA-15	30	20	20	60	25	70	-3°	-10°	SNM..1506..	KY1	KB5	KC5c	KD5	3

PSRN

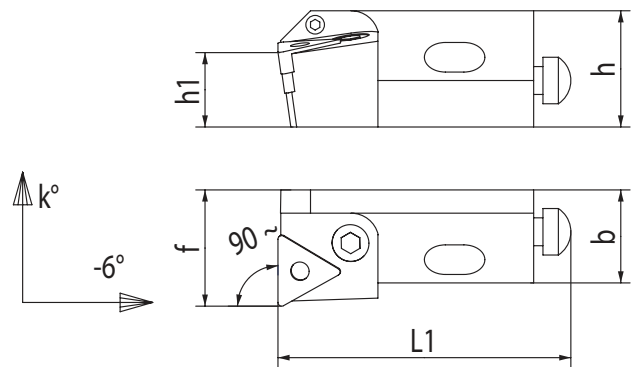


Code N.	h	h1	b	L1	f	Dmin.	Inserts N.	Support pad	Lever	Screw	Shimpin	Chiave
PSRNR/L 16CA-12	25	16	20	63	25	60	SNM..1204..					
PSRNR/L 20CA-15	30	20	20	70	25	70	SNM..1506..	KY1	KB5	KC5c	KD5	3



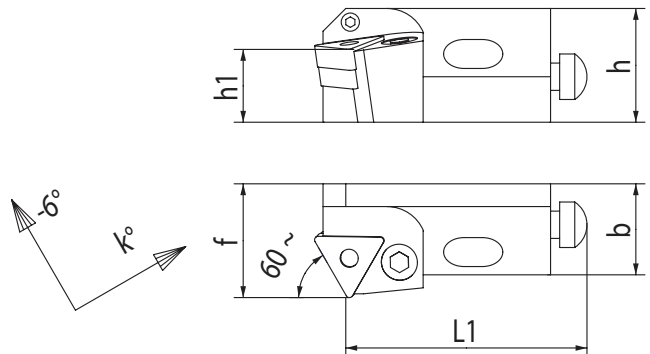
Ricambi cartucce per ...	Screw	Chiave	Screw	Screw	Chiave
..12CA..	KGRL12				
..16CA..	KGRL16	2.5	KVA6	KVB16	5
..20CA..	KGRL20	2.5	KVA6	KVB20	5
..25CA..	KGRL25	3	KVA8	KVB25(n°2)	6

PTFN



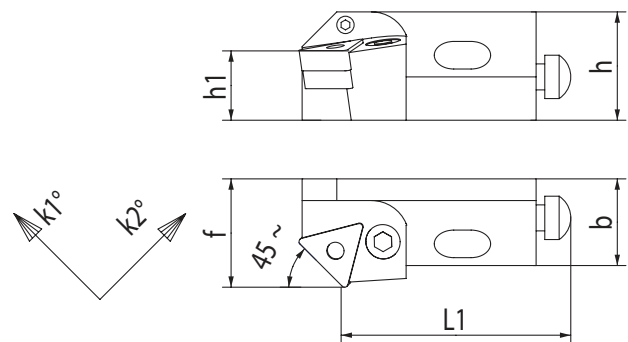
Code N.	h	h1	b	L1	f	Dmin.	k	Inserts N.	Support pad	Lever	Screw	Shimpin	Chiave	
PTFNR/L 12CA-16	20	12	15	55	20	50	-9°	TNM..1604..						2
PTFNR/L 16CA-16	25	16	20	63	25	55	-8°	TNM..1604..	KA6	KB4	KC3	KD3		2.5
PTFNR/L 20CA-22	30	20	20	70	25	70	-8°	TNM..2204..	KA7	KB1	KC1	KD1		3
PTFNR/L 25CA-27	38	25	25	100	32	100	-9°	TNM..2706..	KH1	KH2	KH5	KD5		3

PTWN

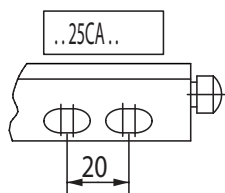


Code N.	h	h1	b	L1	f	Dmin.	k	Inserts N.	Support pad	Lever	Screw	Shimpin	Chiave	
PTWNR/L 12CA-16	20	12	15	47	20	50	-7°	TNM..1604..						2
PTWNR/L 16CA-16	25	16	20	53	25	55	-6°	TNM..1604..	KA6	KB4	KC3	KD3		2.5
PTWNR/L 20CA-22	30	20	20	60	25	70	-6°	TNM..2204..	KA7	KB1	KC1	KD1		3

PTSN

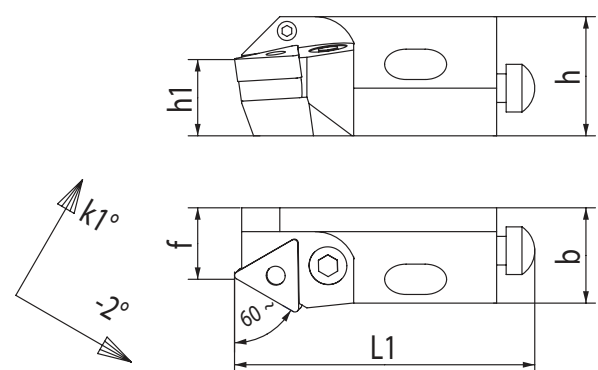


Code N.	h	h1	b	L1	f	Dmin.	k1	k2	Inserts N.	Support pad	Lever	Screw	Shim pin	Chiave
PTSNR/L 12CA-16	20	12	15	47	20	50	-3°	-10°	TNM..1604..					
PTSNR/L 16CA-16	25	16	20	53	25	55	0°	-11°	TNM..1604..	KA6	KB4	KC3	KD3	2.5
PTSNR/L 20CA-22	30	20	20	60	25	70	0°	-11°	TNM..2204..	KA7	KB1	KC1	KD1	3



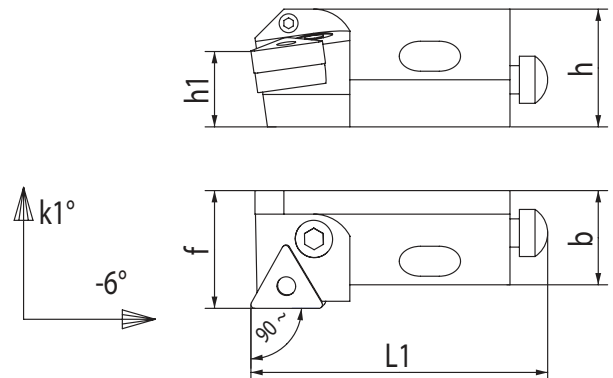
Ricambi cartucce per ...	Screw	Chiave	Screw	Screw	Chiave
..12CA..	KGRL12	2	KVA5	KVB12	4
..16CA..	KGRL16	2.5	KVA6	KVB16	5
..20CA..	KGRL20	2.5	KVA6	KVB20	5
..25CA..	KGRL25	3	KVA8	KVB25(n°2)	6

PTTN

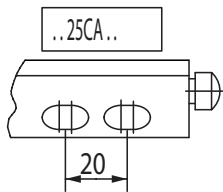


Code N.	h	h1	b	L1	f	Dmin.	k	Inserts N.	Support pad	Lever	Screw	Shim pin	Chiave
PTTNR/L 12CA-16	20	12	15	55	13	50	-9°	TNM..1604..					
PTTNR/L 16CA-16	25	16	20	63	15	60	-10°	TNM..1604..	KA6	KB4	KC3	KD3	2.5
PTTNR/L 20CA-22	30	20	20	70	15	70	-10°	TNM..2204..	KA7	KB1	KC1	KD1	3

PTGN

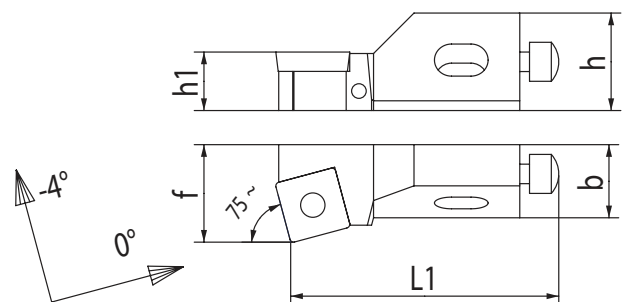


Code N.	h	h1	b	L1	f	Dmin.	k	Inserts N.	Support pad	Lever	Screw	Shimpin	Chiave
PTGNR/L 12CA-16	20	12	15	55	20	50	-10°	TNM..1604..					
PTGNR/L 16CA-16	25	16	20	63	25	60	-10°	TNM..1604..	KA6	KB4	KC3	KD3	2.5
PTGNR/L 20CA-22	30	20	20	70	25	70	-8°	TNM..2204..	KA7	KB1	KC1	KD1	3



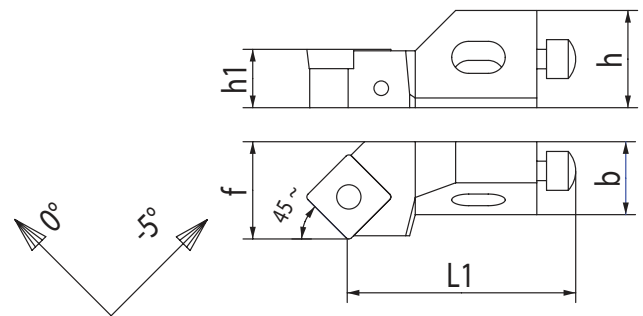
Ricambi cartucce per ...	Screw	Chiave	Screw	Screw	Chiave
..12CA..	KGRL12				
..16CA..	KGRL16	2	KVA5	KVB12	4
..20CA..	KGRL20	2.5	KVA6	KVB16	5
..25CA..	KGRL25	2.5	KVA6	KVB20	5
..25CA..	KGRL25	3	KVA8	KVB25(n°2)	6

SSKC





Code N.	h	h1	b	L1	f	Dmin.	Inserts N.	Screw	Wrench
SSKCR/L 10CA-09	15	10	11	50	14	40	SCM..09T3..		
SSKCR/L 12CA-12	20	12	15	55	20	50	SCM..1204..	KV4c KV5	Torx 15 Torx 20

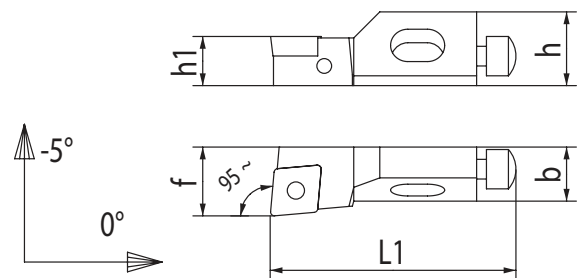
SSSC





Code N.	h	h1	b	L1	f	Dmin.	Inserts N.
SSSCR/L 10CA-09	15	10	11	44	14	40	SCM..09T3..
SSSCR/L 12CA-12	20	12	15	47	20	50	SCM..1204..

Screw	Wrench
 KV4c	 Torx 15
KV5	Torx 20

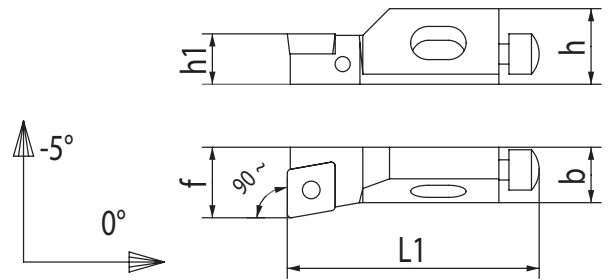
SCLC



Code N.	h	h1	b	L1	f	Dmin.	Inserts N.
SCLCR/L 10CA-09	15	10	11	50	14	40	CCM..09T3..
SCLCR/L 12CA-12	20	12	15	55	20	50	CCM..1204..

Screw	Wrench
 KV4c	 Torx 15
KV5	Torx 20

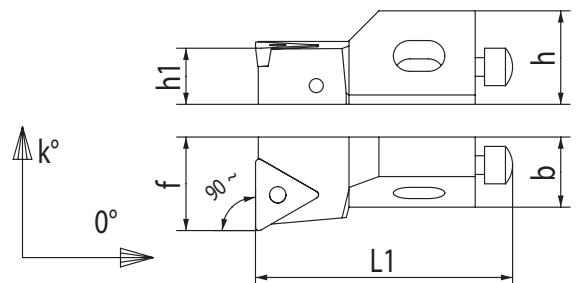
SCFC



Code N.	h	h1	b	L1	f	Dmin.	Inserts N.	Screw	Wrench
SCFCR/L 10CA-09	15	10	11	50	14	40	CCM..09T3..		
SCFCR/L 12CA-12	20	12	15	55	20	50	CCM..1204..		

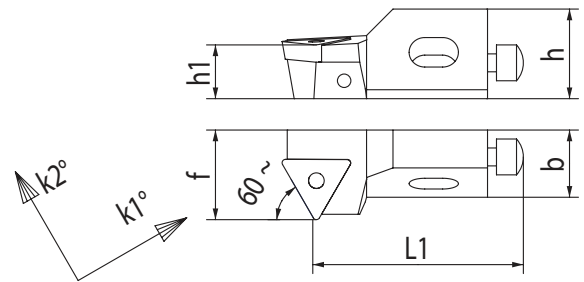
Ricambi cartucce per ...	Screw	Chiave	Screw	Screw	Chiave
..10CA..					
..12CA..					

STFC



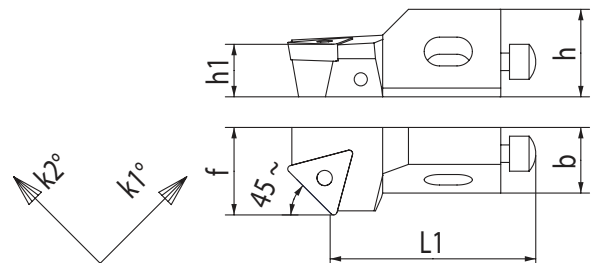
Code N.	h	h1	b	L1	f	Dmin.	k	Inserts N.	Screw	Wrench	Support pad	Bush	Chiave
STFCR/L 10CA-11	15	10	11	50	14	40	-3°	TCM..1102..					
STFCR/L 12CA-16	20	12	15	55	20	50	-3°	TCM..16T3..					
STFCR/L 16CA-16	21	16	20	63	25	55	-6°	TCM..16T3..					

STWC



Code N.	h	h1	b	L1	f	Dmin.	k1	k2	Inserts N.	Screw	Wrench	Support pad	Bush	Chiave
STWCR/L 10CA-11	15	10	11	44	14	40	0°	-4°	TCM..1102..	KV25	Torx 7			
STWCR/L 12CA-16	20	12	15	47	20	50	-5°	0°	TCM..16T3..	KV4c	Torx 15			
STWCR/L 16CA-16	21	16	20	53	25	55	-5°	-5°	TCM..16T3..	KV35	Torx 15	KW3	KX01	3.5

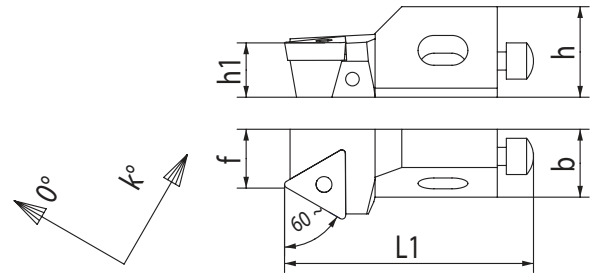
STSC



Code N.	h	h1	b	L1	f	Dmin.	k1	k2	Inserts N.	Screw	Wrench	Support pad	Bush	Chiave
STSCR/L 10CA-11	15	10	11	44	14	40	-4°	0°	TCM..1102..	KV25	Torx 7			
STSCR/L 12CA-16	20	12	15	47	20	50	-5°	0°	TCM..16T3..	KV4c	Torx 15			
STSCR/L 16CA-16	21	16	20	53	25	55	-6°	-3°	TCM..16T3..	KV35	Torx 15	KW3	KX01	3.5

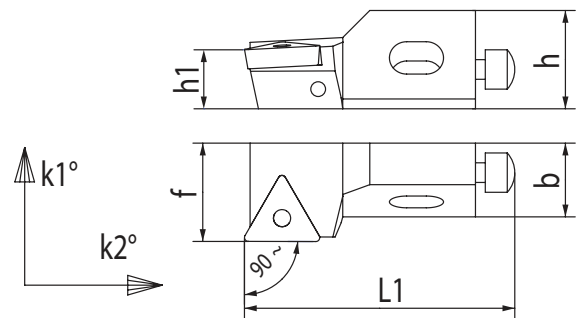
Ricambi cartucce per ...	Screw	Chiave	Screw	Screw	Chiave
..10CA..	KGR10	2	KVA5	KVB10	4
..12CA..	KGR12	2	KVA5	KVB12	4
..16CA..	KGR16	2	KVA6	KVB16	5

STTC



Code N.	h	h1	b	L1	f	Dmin.	k	Inserts N.	Screw	Wrench	Support pad	Bush	Chiave
STTCR/L 10CA-11	15	10	11	50	9	40	-5°	TCM..1102..					
STTCR/L 12CA-16	20	12	15	55	13	50	-3°	TCM..16T3..	KV4c	Torx 15			
STTCR/L 16CA-16	21	16	20	63	15	60	-5°	TCM..16T3..	KV35	Torx 15	KW3	KX01	3.5

STGC



Code N.	h	h1	b	L1	f	Dmin.	k1	k2	Inserts N.	Screw	Wrench	Support pad	Bush	Chiave
STGCR/L 10CA-11	15	10	11	50	14	40	-3°	0°	TCM..1102..					
STGCR/L 12CA-16	20	12	15	55	20	50	-3°	0°	TCM..16T3..	KV4c	Torx 15			
STGCR/L 16CA-16	21	16	20	63	25	60	-5°	-3°	TCM..16T3..	KV35	Torx 15	KW3	KX01	3.5

Ricambi cartucce per ...	Screw	Chiave	Screw	Screw	Chiave
..10CA..					
..12CA..	KGR12	2	KVA5	KVB12	4
..16CA..	KGR16	2	KVA6	KVB16	5