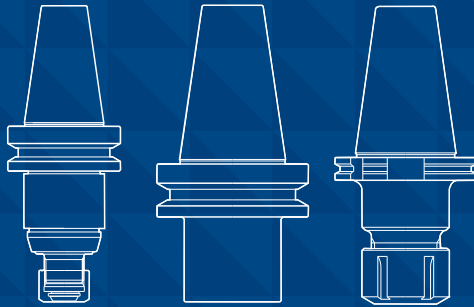


YE24
EUROPE

2024 / 2025



CUTTING TOOLS



TOOLING SYSTEM

YG-1 CO., LTD.


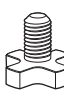




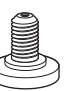
HYDRAULIC CHUCK

Description	TOOL LENGTH PRE-SETTING TYPE	POWER E HYDRO	STANDARD
Page	SK: D12 CBT: D64 BT: D94 HSK: D154	SK: D13 CBT: D65 BT: D95 HSK: D155	SK: D14 / CBT: D66 - 67 BT: D96 - 97 HSK: D156 - 159 DIN 228-MTB: D238
			
ULTRA SHORT	SLIM	GRINDER	LONG & SLIM
SK: D15 BT: D98	SK: D16 CBT: D68 BT: D99 HSK: D160	SK: D17	HSK: D161
			

SHRINK FIT HOLDER

Description	EXTRA SLIM	STANDARD	COOLANT CHANNEL
Page	SK: D18 BT: D100-101 HSK: D162-163	SK: D19-21 / CBT: D69-71 BT: D102-104 HSK: D164-167, D172 ISO: D228	SK: D22-24 CBT: D72-74 BT: D105-107 HSK: D168-170
			
REINFORCED	CURVED	MQL1	EXTENSION
SK: D25 BT: D108 HSK: D171	SK: D26 BT: D109 HSK: D173-174	HSK: D175-176	STRAIGHT-ST: D214-215
			

Guide Line to Icons

Standard of Tools	Taper Accuracy	G Value	RPM	Run-Out	Coolant System	
DIN 69871-SK DIN 69893-HSK JIS B6339-BT CBT	AT3	2.5G 6.3G	15,000 RPM 20,000 RPM 25,000 RPM 30,000 RPM	(Rt 3D) ≤ 3μm	AD, AD/B, AD/B AD, AD+C or AD/B+C	
Collet	Bolt	Spanner	Tap Adaptor	ER Nut	ER Spanner	Parts
						

※ Product design and technical data in the contents are subject to change for improving quality or performance of products without prior notice.

ER COLLET CHUCK

Description	STANDARD	SLIM
Page	SK: D27-32 / CBT: D75-76 BT: D110-114 / HSK: D177-181 STRAIGHT: D216 / DIN 228-MTA: D234 DIN 228-MTB: D239 / GOST: D241	SK: D33-34 / CBT: D77 BT: D115-116 / HSK: D182-185 STRAIGHT: D217-218 ISO: D229
		
TENSION ER CHUCK (For Tapping)	For CNC Lathe	
STRAIGHT: D219	NC: D220	
		

END MILL HOLDER & SIDE LOCK ARBOR

Description	SHORT	COOLANT CHANNEL
	SK : D35 BT : D117	SK : D37, D40 BT : D119, D122 HSK : D187, D189
Page		
	STANDARD	SIDE LOCK ARBOR
	SK : D36, D38, D39 CBT : D78 / BT : D118, D120, D121 HSK : D186, D188 GOST : D242	CBT : D79 BT : D123 - 124
		




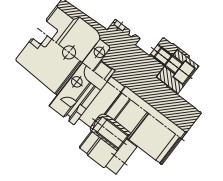

POWER MILLING CHUCK

Description	HIGH-SPEED	STANDARD
	SK : D46 CBT : D84 BT : D130 HSK : D195	SK : D47 / CBT : D85 BT : D131 / HSK : D196 DIN 228-MTA : D235 DIN 228-MTB : D240
Page		

MORSE TAPER ARBOR

Description	MORSE TAPER ARBOR
	SK : D48 BT : D132 - 133 HSK : D197 / NT : D232 GOST : D244
Page	



SHELL MILL ARBOR

Description	STANDARD	COOLANT CHANNEL & SMALL FACE	COOLANT CHANNEL & LARGE FACE
	SK : D41 CBT : D80 / BT : D125 HSK : D190 GOST : D243	SK : D42 CBT : D81 BT : D126 HSK : D191	SK : D43 CBT : D82 BT : D127 HSK : D192
Page			
	FLANGE MOUNTING	COMBI-SHELL MILL ARBOR	
	SK : D44 BT : D128 HSK : D193	SK : D45 / CBT : D83 BT : D129 / HSK : D194 ISO : D231	
			




SK SLIM CHUCK

Description	SK SLIM CHUCK
	SK : D49 - 52 / CBT : D86 - 87 BT : D134 - 137 / HSK : D198 - 200 STRAIGHT-K : D221 ISO : D230
Page	

SYNCHRO TAPPING CHUCK

Description	ER COLLET TYPE	QUICK CHANGE (ADAPTOR) TYPE
Page	SK : D53 BT : D138 HSK : D201 STRAIGHT-KW : D222	SK : D54 HSK : D202 STRAIGHT-KW : D223
		



FACE MILL ARBOR

Description	FMA	FMB	FMC
Page	CBT : D89 / BT : D142 HSK : D206 NT : D233 DIN 228-MTA : D237	CBT : D90 BT : D143	CBT : D91 BT : D144 HSK : D207
			


ONE STEP TAPPING CHUCK

Description	ONE STEP TAPPING CHUCK
Page	SK : D55 BT : D139 HSK : D203 STRAIGHT-KW : D224
	

COPY MILL ARBOR & INDEXABLE DRILL HOLDER

Description	COPY MILL ARBOR	INDEXABLE DRILL HOLDER
Page	SK : D58 BT : D145 HSK : D208	SK : D59 BT : D146 HSK : D209
		





TAPPING CHUCK

Description	ER COLLET TYPE	TAP ADAPTOR TYPE
Page	SK : D56 CBT : D88 BT : D140 HSK : D204	SK : D57 / BT : D141 HSK : D205 STRAIGHT-K : D225 DIN 228-MTA : D236
		




NC DRILL CHUCK

Description	KEYLESS TYPE	HEX. KEY TYPE
Page	SK : D60 / CBT : D92 BT : D147 HSK : D210 STRAIGHT-K : D226	SK : D61 BT : D148 HSK : D211
		

OTHER TOOLS

Description	SIDE CUTTER ARBOR	JACOBS TAPER ARBOR
Page	BT : D149	BT : D150
		
	BLANK BAR	TEST BAR
	SK : D62 BT : D151 HSK : D212	SK : D62 BT : D152 HSK : D212
		

TOOL HOLDER SET

Description	HYDRAULIC CHUCK	POWER MILLING CHUCK	POWER MILLING CHUCK - Quick Change
Page	D246	D247	D248
			

BORING SYSTEM

Description	BASIC HOLDER	FINE BORING HEAD & INSERT HOLDER	ROUGH BORING HEAD & CARTRIDGE	
Page	SK : D252 BT : D253 - 254 HSK : D255	D256	D257	
				
	EXTENSION BAR	REDUCTION BAR	TYPICAL CONFIGURATION OF FINE BORING BAR	TYPICAL CONFIGURATION OF ROUGH BORING BAR
	D258	D259	SK : D260 - 261 BT : D262 - 263 HSK : D264 - 265	SK : D266 BT : D267 - 268 HSK : D269 - 270 STRAIGHT-ST : D271
				
	BASIC HOLDER (Big Bore)	FINE BORING HEAD (Big Bore)	PLATE & CARTRIDGE (Big Bore)	FINE BORING BAR (Big Bore)
	SK : D273 BT : D273	D274	D275	BT : D276
				
	ROUGH BORING BAR (Big Bore)	MICRO BORING BAR	SQUARE BORING BAR	
	SK : D277 BT : D278	BT : D279 - 280 STRAIGHT-ST : D281 BIG SIZE : D282 PARTS : D283 - 285	45° : D286 90° : D287 SQUARE BITE : D288	
				

ACCESSORY & PARTS

Description	HYD. CHUCK - Test Piece	HYD. CHUCK - Reduction Sleeve	SHRINK FIT - Heating Machine
Page	D290	HK : D291 HS : D292 HF : D293 HR : D294	D295
			
ER COLLET CHUCK - Collet & Nut	END MILL HOLDER - Side Lock Bolt	SHELL MILL ARBOR - Bolt & Key	FACE MILL ARBOR - Bolt & Key
COLLET : D296 - 304 NUT : D305 - 308 SPANNER : D309	D310	SMA : D311 CMA : D312	D313
			
POWER MILLING CHUCK - Collet & Spanner	SK SLIM CHUCK - Collet & Nut	TAPPING CHUCK - Tap Adaptor	PULL STUD BOLT
D314	COLLET : D315 - 316 NUT & SPANNER : D317	D318 - 319	D320 - 321
			
TOOL CLAMP	HEIGHT PRESETTER	COOLANT TUBE & SPANNER (HSK)	ADJUST BOLT (HSK MQL1)
D322	D322	D323	D324
			

YG-1 TOOLING SYSTEM

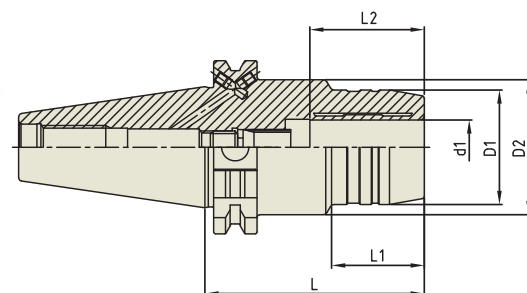
**SK
(DIN 69871)**



- HYDRAULIC CHUCK
- SHRINK FIT HOLDER
- ER COLLET CHUCK
- END MILL HOLDER
- SHELL MILL ARBOR
- COMBI-SHELL MILL ARBOR
- POWER MILLING CHUCK
- MORSE TAPER ARBOR
- SK SLIM CHUCK
- SYNCHRO TAPPING CHUCK
- ONE STEP TAPPING CHUCK
- TAPPING ER CHUCK
- TAPPING CHUCK
- COPY MILL ARBOR
- INDEXABLE DRILL HOLDER
- NC DRILL CHUCK
- BLANK BAR
- TEST BAR

HYDRAULIC CHUCK (RADIAL TOOL LENGTH PRE-SETTING TYPE)

HYDRAULIK SPANNFUTTER (RADIALE WERKZEUGLÄGEN VOREINSTELLUNG)
 MANDRIN HYDRAULIQUE (BANC DE PRÉ-RÉGLAGE RADIAL)
 MANDRINI IDRAULICI (UTENSILI RADIALI PER AZZERAMENTO)
 PORTAHERRAMIENTAS HIDRAULICO (AJUSTE DE LONGITUD TIPO PRE-SETTING)

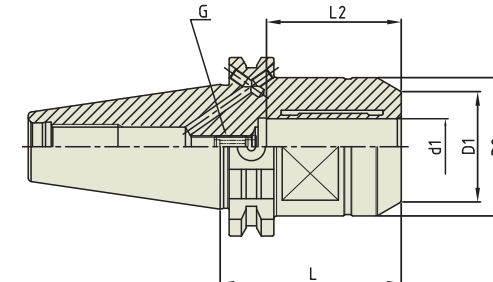


Unit : mm									
TAPER No.	MODEL No.	EDP No.	d1	D1	D2	L	L1	L2	WEIGHT(Kg)
30	SK30-HCR12-85	P2770001A	12	32	44.5	85	40	37	0.90
	SK30-HCR20-85	P2770003A	20	44	-	85	-	42	1.00
40	SK40AD/B-HCR12-80.5	P2554018	12	32	49.5	80.5	31.5	37	1.50
	SK40AD/B-HCR20-80.5	P2554019	20	42	49.5	80.5	34	42	1.60
	SK40AD/B-HCR32-110	P2770004	32	63	80	110	50	55	2.20
50	SK50AD/B-HCR12-80.5	P2770005	12	32	49.5	80.5	35	37	3.90
	SK50AD/B-HCR20-80.5	P2770006	20	42	44.5	80.5	44	42	4.00
	SK50AD/B-HCR32-100	P2770002	32	60	-	100	-	55	4.70

- ▶ CAT(ASME B5.50) taper and Inch type products are available.
- ▶ Balancing grade G2.5 at 25,000RPM or U max. < 1gmm.
- ▶ Supplied with clamping T-wrench.
- ▶ For applicable Hydraulic Chuck collet, please refer to page D291~D294.

HYDRAULIC CHUCK (Power E Hydro)

HYDRAULIK SPANNFUTTER (POWER E HYDRO)
 MANDRIN HYDRAULIQUE (POWER E HYDRO)
 MANDRINI IDRAULICI (POWER E HYDRO)
 PORTAHERRAMIENTAS HIDRAULICO (POWER E HYDRO)

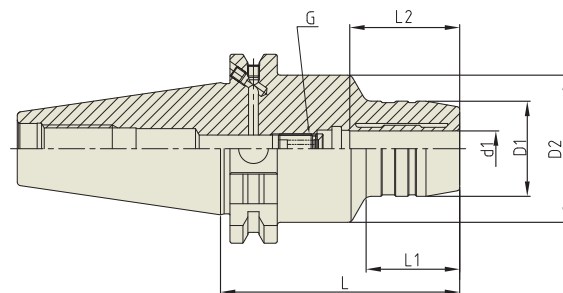


Unit : mm									
TAPER No.	MODEL No.	EDP No.	d1	D1	D2	L	L2	G	WEIGHT (Kg)
40	SK40AD/B-HC12P-50	P2776651P	12	32	42	50	41	M8x1.0	1.00
	SK40AD/B-HC20P-64.5	P2534001P	20	39.3	49.3	64.5	48	M8x1.0	1.20
50	SK50AD/B-HC20P-64.5	P2756010P	20	39.3	49.3	64.5	48	M8x1.0	2.80
	SK50AD/B-HC32P-81	P2534002P	32	58.5	72	81	57	M8x1.0	3.90

- ▶ CAT(ASME B5.50) taper and Inch type products are available.
- ▶ Balancing grade G2.5 at 25,000RPM or U max. < 1gmm.
- ▶ Supplied with clamping T-wrench.
- ▶ For applicable Hydraulic Chuck collet, please refer to page D291~D294.

HYDRAULIC CHUCK (STANDARD)

HYDRAULIK SPANNFUTTER (STANDARD)
 MANDRIN HYDRAULIQUE (STANDARD)
 MANDRINI IDRAULICI (STANDARD)
 PORTAHERRAMIENTAS HIDRAULICO (ESTÁNDAR)



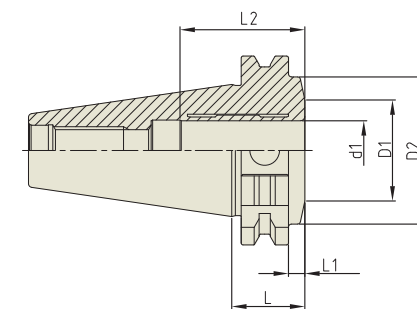
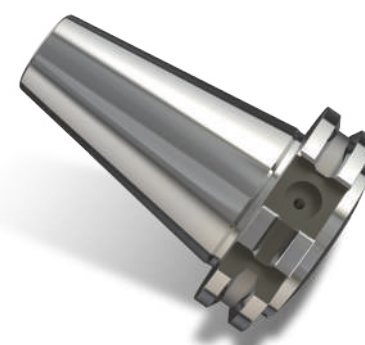
Unit : mm

TAPER No.	MODEL No.	EDP No.	d1	D1	D2	L	L1	L2	G	WEIGHT (Kg)
30	SK30-HC6-70	P2770101A	6	26	45	70	20	27	M5x0.8	0.65
	SK30-HC8-70	P2770110A	8	28	45	70	20	27	M6x1.0	0.65
	SK30-HC10-75	P2770102A	10	30	45	75	21	32	M8x1.0	0.73
	SK30-HC12-85	P2770111A	12	32	45	85	40	37	M10x1.0	0.80
	SK30-HC14-85	P2770112A	14	34	45	85	22	37	M10x1.0	0.80
	SK30-HC16-90	P2770113A	16	38	45	90	50	42	M6x1.0	0.90
	SK30-HC18-90	P2770114A	18	40	45	90	50	42	M10x1.0	0.90
	SK30-HC20-90	P2770115A	20	42	45	90	50	42	M6x1.0	0.90
40	SK40AD/B-HC6-80.5	P2554017	6	26	49.5	80.5	30	27	M5x0.8	1.31
	SK40AD/B-HC6-110	P2554016	6	26	49.5	110	29.5	27	M5x0.8	1.76
	SK40AD/B-HC8-80.5	P2554025	8	28	49.5	80.5	30	27	M6x1.0	1.34
	SK40AD/B-HC8-110	P2770117	8	28	49.5	110	30	27	M6x1.0	1.76
	SK40AD/B-HC10-80.5	P2554004	10	30	49.5	80.5	31	32	M8x1.0	1.34
	SK40AD/B-HC10-110	P2554009	10	30	49.5	110	31	32	M8x1.0	1.76
	SK40AD/B-HC12-80.5	P2554011	12	32	49.5	80.5	31.5	37	M10x1.0	1.34
	SK40AD/B-HC12-110	P2554010	12	32	49.5	110	31.5	37	M10x1.0	1.76
	SK40AD/B-HC14-80.5	P2776653	14	34	49.5	80.5	32	37	M10x1.0	1.35
	SK40AD/B-HC14-110	P2776654	14	34	49.5	110	32	37	M10x1.0	1.75
	SK40AD/B-HC16-80.5	P2554013	16	38	49.5	80.5	33	42	M12x1.0	1.34
	SK40AD/B-HC16-110	P2554012	16	38	49.5	110	33	42	M12x1.0	1.76
	SK40AD/B-HC20-80.5	P2554015	20	42	49.5	80.5	34	42	M16x1.0	1.35
	SK40AD/B-HC20-110	P2554014	20	42	49.5	110	34	42	M16x1.0	1.78
50	SK50AD/B-HC6-80.5	P2770104	6	26	49.5	80.5	30	27	M5x0.8	3.00
	SK50AD/B-HC8-80.5	P2770116	8	28	49.5	80.5	30	27	M6x1.0	3.00
	SK50AD/B-HC10-80.5	P2770106	10	30	49.5	80.5	32	32	M8x1.0	3.00
	SK50AD/B-HC12-80.5	P2770118	12	32	49.5	80.5	35	37	M10x1.0	3.05
	SK50AD/B-HC14-80.5	P2776655	14	34	49.5	80.5	37	37	M10x1.0	3.07
	SK50AD/B-HC16-80.5	P2770108	16	38	49.5	80.5	40	42	M12x1.0	3.10
	SK50AD/B-HC20-80.5	P2770119	20	42	49.5	80.5	40	42	M16x1.0	3.15

- ▶ CAT(ASME B5.50) taper and Inch type products are available.
- ▶ Balancing grade G2.5 at 25,000RPM or U max. < 1gmm.
- ▶ Supplied with clamping T-wrench.
- ▶ For applicable Hydraulic Chuck collet, please refer to page D291~D294.

HYDRAULIC CHUCK (ULTRA SHORT)

HYDRAULIK SPANNFUTTER (KURZ)
 MANDRIN HYDRAULIQUE (COURT)
 MANDRINI IDRAULICI (CORTO)
 PORTAHERRAMIENTAS HIDRAULICO (CORTO)



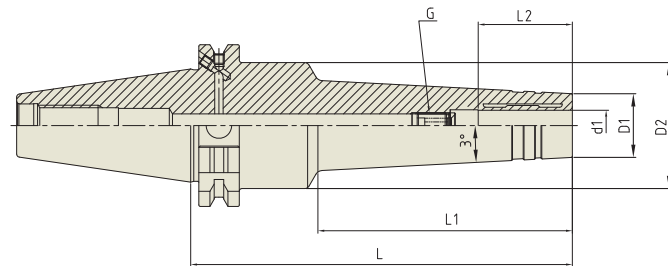
Unit : mm

TAPER No.	MODEL No.	EDP No.	d1	D1	D2	L	L1	L2	WEIGHT (Kg)
40	SK40-HC20-24.6	P2770120	20	34	49.5	24.6	5.5	42	0.81
50	SK50-HC32-30.9	P2770121	32	49	70.5	30.9	11.85	55	2.63

- ▶ CAT(ASME B5.50) taper and Inch type products are available.
- ▶ Balancing grade G2.5 at 25,000RPM or U max. < 1gmm.
- ▶ Supplied with clamping T-wrench.
- ▶ For applicable Hydraulic Chuck collet, please refer to page D291~D294.

HYDRAULIC CHUCK (SLIM)

HYDRAULIK SPANNFUTTER (SCHLANK)
 MANDRIN HYDRAULIQUE (MINCE)
 MANDRINI IDRAULICI (SOTTILE)
 PORTAHERRAMIENTAS HIDRAULICO (DELGADO)



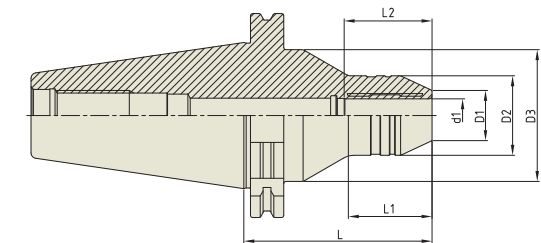
Unit : mm

TAPER No.	MODEL No.	EDP No.	d1	D1	D2	L	L1	L2	G	WEIGHT (Kg)
40	SK40AD/B-HMC6-120	P2770701	6	20	49.5	120	70	27	M5×0.8	1.40
	SK40AD/B-HMC6-150	P2770702	6	20	49.5	150	100	27	M5×0.8	1.65
	SK40AD/B-HMC8-120	P2770703	8	22	49.5	120	70	27	M6×1.0	1.40
	SK40AD/B-HMC8-150	P2770704	8	22	49.5	150	100	27	M6×1.0	1.65
	SK40AD/B-HMC10-120	P2770705	10	24	49.5	120	70	32	M8×1.0	1.40
	SK40AD/B-HMC10-150	P2770706	10	24	44.5	150	100	32	M8×1.0	1.65
	SK40AD/B-HMC12-120	P2770707	12	25	49.5	120	70	37	M10×1.0	1.40
	SK40AD/B-HMC12-150	P2770708	12	25	44.5	150	100	37	M10×1.0	1.65
	SK40AD/B-HMC14-120	P2770719	14	27	49.5	120	70	37	M10×1.0	1.50
	SK40AD/B-HMC14-150	P2770720	14	27	49.5	150	100	37	M10×1.0	1.70
	SK40AD/B-HMC16-120	P2770709	16	32	49.5	120	70	42	M12×1.0	1.45
	SK40AD/B-HMC16-150	P2770710	16	32	49.5	150	100	42	M12×1.0	1.70
SK40AD/B-HMC20-120	P2770711	20	34	49.5	120	70	42	M16×1.0	1.50	
SK40AD/B-HMC20-150	P2770712	20	34	49.5	150	100	42	M16×1.0	1.70	
50	SK50AD/B-HMC6-150	P2770713	6	20	44.5	150	100	27	M5×0.8	4.50
	SK50AD/B-HMC8-150	P2770714	8	22	44.5	150	100	27	M6×1.0	4.50
	SK50AD/B-HMC10-150	P2770715	10	24	44.5	150	100	32	M8×1.0	4.50
	SK50AD/B-HMC12-150	P2770716	12	25	44.5	150	100	37	M10×1.0	4.50
	SK50AD/B-HMC14-150	P2770721	14	27	44.5	150	100	37	M10×1.0	4.60
	SK50AD/B-HMC16-150	P2770717	16	32	44.5	150	100	42	M12×1.0	4.70
SK50AD/B-HMC20-150	P2770718	20	34	44.5	150	100	42	M16×1.0	5.00	

- ▶ CAT(ASME B5.50) taper and Inch type products are available.
- ▶ Balancing grade G2.5 at 25,000RPM or U max. <math>< 1\text{gmm}</math>.
- ▶ Supplied with clamping T-wrench.
- ▶ For applicable Hydraulic Chuck collet, please refer to page D291~D294.

HYDRAULIC CHUCK (For GRINDER)

HYDRAULIK SPANNFUTTER FÜR DEN FORMENBAU
 MANDRIN HYDRAULIQUE POUR MOULISTE
 MANDRINI IDRAULICI PER STAMPAGGIO
 PORTAHERRAMIENTAS HIDRAULICO PARA MOLDES



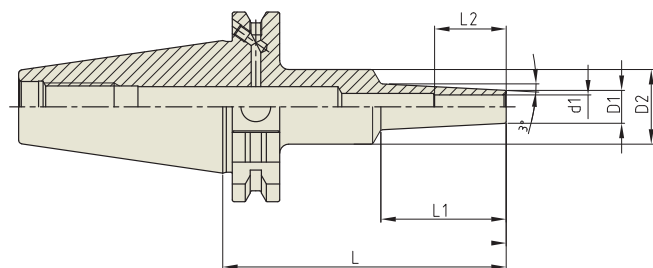
Unit : mm

TAPER No.	MODEL No.	EDP No.	d1	D1	D2	D3	L	L1	L2	WEIGH (Kg)
50	SK50-HC6G-90	P2770951	6	14	30	63	90	30	27	3.00
	SK50-HC8G-90	P2770952	8	16	30	63	90	30	27	3.00
	SK50-HC10G-90	P2770953	10	18	30	63	90	30	32	3.00
	SK50-HC12G-90	P2770954	12	21	33	63	90	35	37	3.05
	SK50-HC14G-90	P2770955	14	22	35	63	90	35	37	3.10
	SK50-HC16G-90	P2770956	16	24	38	63	90	40	42	3.10
	SK50-HC18G-90	P2770957	18	26	40	63	90	40	42	3.10
	SK50-HC20G-110	P2770958	20	29	42	63	110	40	42	3.30
	SK50-HC25G-110	P2770959	25	34	50	70	110	45	48	3.60
	SK50-HC32G-110	P2770960	32	42	56	80	110	50	55	4.20

- ▶ Supplied with clamping T-wrench.
- ▶ For applicable Hydraulic Chuck collet, please refer to page D291~D294.

SHRINK FIT HOLDER (EXTRA SLIM)

SCHRUMPFUTTER
MANDRIN DE FRETTAGE
MADRINI PER CALLETAMENTO A CALDO
PORTAHERRAMIENTAS DE COMPRESION POR CALOR



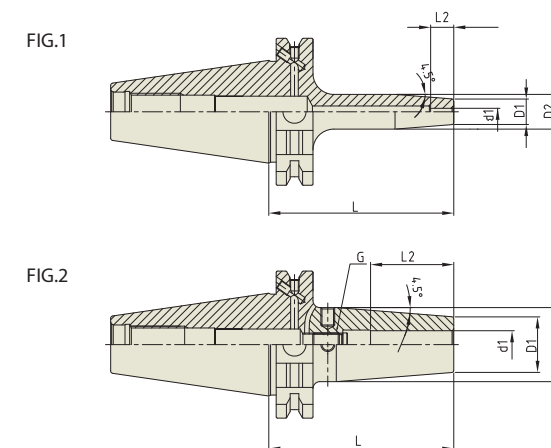
Unit : mm

TAPER No.	MODEL No.	EDP No.	d1	D1	D2	L	L1	L2	WEIGHT (Kg)
30	SK30-SFHS3-60	P2771332S	3	6	20	60	22	9	-
	SK30-SFHS3-80	P2771333S	3	6	25	80	42	9	-
	SK30-SFHS4-60	P2771334S	4	7	20	60	22	12	-
	SK30-SFHS4-80	P2771335S	4	7	25	80	42	12	-
	SK30-SFHS6-60	P2771336S	6	9	20	60	22	18	-
	SK30-SFHS6-80	P2771337S	6	9	25	80	42	18	-
40	SK40AD/B-SFHS3-95	P2771338S	3	6	25	95	42	9	0.89
	SK40AD/B-SFHS3-120	P2771339S	3	6	25	120	67	9	0.91
	SK40AD/B-SFHS4-95	P2771340S	4	7	25	95	42	12	0.90
	SK40AD/B-SFHS4-120	P2771341S	4	7	25	120	67	12	0.92
	SK40AD/B-SFHS6-95	P2771342S	6	9	25	95	42	18	0.90
	SK40AD/B-SFHS6-120	P2771343S	6	9	25	120	67	18	0.93
	SK40AD/B-SFHS8-95	P2771344S	8	11	25	95	42	24	0.90
	SK40AD/B-SFHS8-120	P2771345S	8	11	32	120	67	24	1.01
	SK40AD/B-SFHS10-95	P2771346S	10	13	25	95	42	30	0.91
	SK40AD/B-SFHS10-120	P2771347S	10	13	32	120	67	30	1.02
	SK40AD/B-SFHS12-95	P2771348S	12	15	32	95	42	30	0.99
	SK40AD/B-SFHS12-120	P2771349S	12	15	32	120	67	30	1.02
50	SK50AD/B-SFHS3-110	P2771350S	3	6	25	110	42	9	2.77
	SK50AD/B-SFHS3-160	P2771351S	3	6	25	160	97	9	2.79
	SK50AD/B-SFHS4-110	P2771352S	4	7	25	110	42	12	2.75
	SK50AD/B-SFHS4-160	P2771353S	4	7	25	160	97	12	2.80
	SK50AD/B-SFHS6-110	P2771354S	6	9	26	110	42	18	2.74
	SK50AD/B-SFHS6-160	P2771355S	6	9	26	160	97	18	2.85
	SK50AD/B-SFHS8-110	P2771356S	8	11	36	110	42	24	2.84
	SK50AD/B-SFHS8-160	P2771357S	8	11	36	160	97	24	2.92
	SK50AD/B-SFHS10-110	P2771358S	10	13	36	110	42	30	2.85
	SK50AD/B-SFHS10-160	P2771359S	10	13	36	160	97	30	2.93
	SK50AD/B-SFHS12-110	P2771360S	12	15	36	110	42	30	2.85
	SK50AD/B-SFHS12-160	P2771361S	12	15	36	160	97	30	2.96

▶ CAT(ASME B5.50) taper and Inch type products are available.
▶ Balancing grade G2.5 at 25,000RPM or U max. < 1gmm.

SHRINK FIT HOLDER

SCHRUMPFUTTER
MANDRIN DE FRETTAGE
MADRINI PER CALLETAMENTO A CALDO
PORTAHERRAMIENTAS DE COMPRESION POR CALOR



Unit : mm

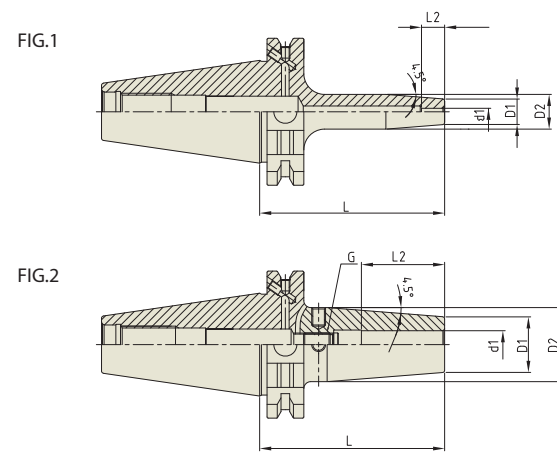
TAPER No.	MODEL No.	EDP No.	d1	D1	D2	L	L2	G	FIG.	WEIGHT (Kg)
30	SK30-SFH3-60	P2771308A	3	11	15	60	10	-	1	0.40
	SK30-SFH4-60	P2771309A	4	11	15	60	12	-	1	0.40
	SK30-SFH5-60	P2771310A	5	11	15	60	15	-	1	0.40
	SK30-SFH6-60	P2771311A	6	21	27	60	36	M5x0.8	2	0.40
	SK30-SFH8-60	P2771312A	8	21	27	60	36	M6x1.0	2	0.40
	SK30-SFH10-80	P2771313A	10	24	32	80	42	M8x1.0	2	0.40
	SK30-SFH12-80	P2771314A	12	24	32	80	47	M10x1.0	2	0.42
	SK30-SFH14-80	P2771315A	14	27	34	80	47	M10x1.0	2	-
	SK30-SFH16-80	P2771316A	16	27	34	80	50	M12x1.0	2	0.42
	SK30-SFH18-80	P2771319A	18	33	42	80	50	M12x1.0	2	-
	SK30-SFH20-90	P2771318A	20	33	42	90	52	M16x1.0	2	0.44
	40	SK40AD/B-SFH3-80	P2771301	3	11	15	80	10	-	1
SK40AD/B-SFH4-80		P2771302	4	11	15	80	12	-	1	1.00
SK40AD/B-SFH5-80		P2771303	5	11	15	80	15	-	1	1.00
SK40AD/B-SFH6-80		P2554058	6	21	27	80	36	M5x0.8	2	1.10
SK40AD/B-SFH6-130		P2771320A	6	21	27	130	36	M5x0.8	2	-
SK40AD/B-SFH6-160		P2771304	6	21	27	160	36	M5x0.8	2	1.15
SK40AD/B-SFH8-80		P2600009	8	21	27	80	36	M6x1.0	2	1.11
SK40AD/B-SFH8-130		P2771321A	8	21	27	130	36	M6x1.0	2	-
SK40AD/B-SFH8-160		P2771305	8	21	27	160	36	M6x1.0	2	1.15
SK40AD/B-SFH10-80		P2554052	10	24	32	80	42	M8x1.0	2	1.10
SK40AD/B-SFH10-130		P2771322A	10	24	32	130	42	M8x1.0	2	-
SK40AD/B-SFH10-160		P2771306	10	24	32	160	42	M8x1.0	2	1.15
SK40AD/B-SFH12-80		P2600008	12	24	32	80	47	M10x1.0	2	1.10
SK40AD/B-SFH12-130		P2771323A	12	24	32	130	47	M10x1.0	2	-
SK40AD/B-SFH12-160		P2771307	12	24	32	160	47	M10x1.0	2	1.15
SK40AD/B-SFH14-80		P2771319	14	27	34	80	47	M10x1.0	2	1.20
SK40AD/B-SFH14-130		P2771324A	14	27	34	130	47	M10x1.0	2	-
SK40AD/B-SFH14-160		P2771320	14	27	34	160	47	M10x1.0	2	1.50

▶ CAT(ASME B5.50) taper and Inch type products are available.
▶ Supplied without balancing screws.
▶ Balancing grade G2.5 at 25,000RPM or U max. < 1gmm.

▶ NEXT PAGE

SHRINK FIT HOLDER

SCHRUMPFUTTER
MANDRIN DE FRETTAGE
MADRINI PER CALLETAMENTO A CALDO
PORTAHERRAMIENTAS DE COMPRESION POR CALOR



Unit : mm

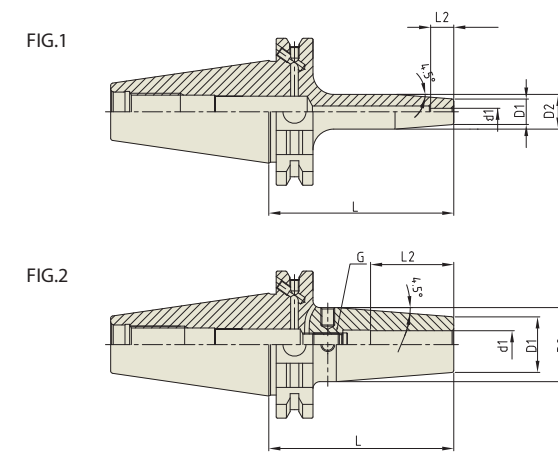
TAPER No.	MODEL No.	EDP No.	d1	D1	D2	L	L2	G	FIG.	WEIGHT (Kg)
40	SK40AD/B-SFH16-80	P2554054	16	27	34	80	50	M12x1.0	2	1.20
	SK40AD/B-SFH16-130	P2771325A	16	27	34	130	50	M12x1.0	2	-
	SK40AD/B-SFH16-160	P2554053	16	27	34	160	50	M12x1.0	2	1.50
	SK40AD/B-SFH18-80	P2771321	18	33	42	80	50	M12x1.0	2	1.30
	SK40AD/B-SFH18-130	P2771326A	18	33	42	130	50	M12x1.0	2	-
	SK40AD/B-SFH18-160	P2771322	18	33	42	160	50	M12x1.0	2	1.60
	SK40AD/B-SFH20-80	P2554056	20	33	42	80	52	M16x1.0	2	1.40
	SK40AD/B-SFH20-130	P2771327A	20	33	42	130	52	M16x1.0	2	-
	SK40AD/B-SFH20-160	P2554055	20	33	42	160	52	M16x1.0	2	1.70
	SK40AD/B-SFH25-90	P2771323	25	44	53	90	58	M16x1.0	2	1.70
	SK40AD/B-SFH25-130	P2771328A	25	44	53	130	58	M16x1.0	2	-
	SK40AD/B-SFH25-160	P2771324	25	44	53	160	58	M16x1.0	2	2.00
50	SK50AD/B-SFH3-80	P2771325	3	11	15	80	10	-	1	1.50
	SK50AD/B-SFH4-80	P2771326	4	11	15	80	12	-	1	1.50
	SK50AD/B-SFH5-80	P2771327	5	11	15	80	15	-	1	1.50
	SK50AD/B-SFH6-80	P2771328	6	21	27	80	36	M5x0.8	2	1.50
	SK50AD/B-SFH6-130	P2771329A	6	21	27	130	36	M5x0.8	2	-
	SK50AD/B-SFH6-160	P2771329	6	21	27	160	36	M5x0.8	2	2.00
	SK50AD/B-SFH6-200	P2771330A	6	21	27	200	36	M5x0.8	2	-
	SK50AD/B-SFH8-80	P2760010	8	21	27	80	36	M6x1.0	2	1.50
	SK50AD/B-SFH8-130	P2771331A	8	21	27	130	36	M6x1.0	2	-
	SK50AD/B-SFH8-160	P2760015	8	21	27	160	36	M6x1.0	2	2.00
	SK50AD/B-SFH8-200	P2771332A	8	21	27	200	36	M6x1.0	2	-
	SK50AD/B-SFH10-80	P2761010	10	24	32	80	42	M8x1.0	2	1.50
	SK50AD/B-SFH10-130	P2771333A	10	24	32	130	42	M8x1.0	2	-
	SK50AD/B-SFH10-160	P2761015	10	24	32	160	42	M8x1.0	2	2.00
	SK50AD/B-SFH10-200	P2771334A	10	24	32	200	42	M8x1.0	2	-
	SK50AD/B-SFH12-80	P2762010	12	24	32	80	47	M10x1.0	2	1.50
	SK50AD/B-SFH12-130	P2771335A	12	24	32	130	47	M10x1.0	2	-

- ▶ CAT(ASME B5.50) taper and Inch type products are available.
- ▶ Supplied without balancing screws.
- ▶ Balancing grade G2.5 at 25,000RPM or U max. < 1gmm.

▶ NEXT PAGE

SHRINK FIT HOLDER

SCHRUMPFUTTER
MANDRIN DE FRETTAGE
MADRINI PER CALLETAMENTO A CALDO
PORTAHERRAMIENTAS DE COMPRESION POR CALOR



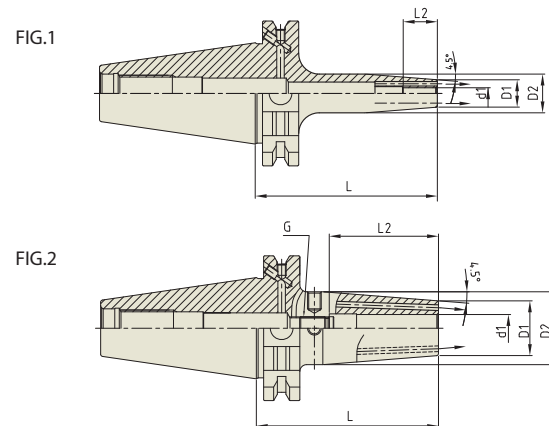
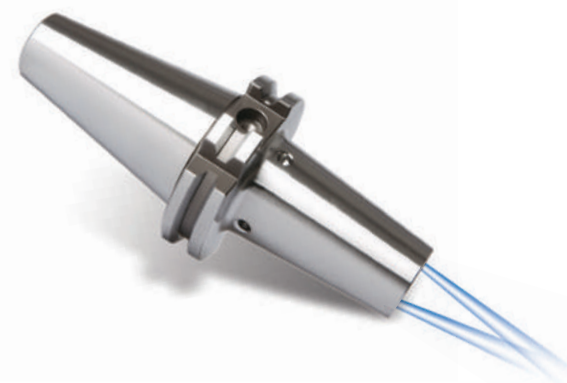
Unit : mm

TAPER No.	MODEL No.	EDP No.	d1	D1	D2	L	L2	G	FIG.	WEIGHT (Kg)
50	SK50AD/B-SFH12-160	P2762015	12	24	32	160	47	M10x1.0	2	2.00
	SK50AD/B-SFH12-200	P2771336A	12	24	32	200	47	M10x1.0	2	-
	SK50AD/B-SFH14-80	P2763010	14	27	34	80	47	M10x1.0	2	1.60
	SK50AD/B-SFH14-130	P2771337A	14	27	34	130	47	M10x1.0	2	-
	SK50AD/B-SFH14-160	P2763015	14	27	34	160	47	M10x1.0	2	2.10
	SK50AD/B-SFH14-200	P2771338A	14	27	34	200	47	M10x1.0	2	-
	SK50AD/B-SFH16-80	P2764010	16	27	34	80	50	M12x1.0	2	1.60
	SK50AD/B-SFH16-130	P2771339A	16	27	34	130	50	M12x1.0	2	-
	SK50AD/B-SFH16-160	P2764015	16	27	34	160	50	M12x1.0	2	2.10
	SK50AD/B-SFH16-200	P2771340A	16	27	34	200	50	M12x1.0	2	-
	SK50AD/B-SFH18-80	P2765010	18	33	42	80	50	M12x1.0	2	1.60
	SK50AD/B-SFH18-130	P2771341A	18	33	42	130	50	M12x1.0	2	-
	SK50AD/B-SFH18-160	P2765015	18	33	42	160	50	M12x1.0	2	2.00
	SK50AD/B-SFH18-200	P2771342A	18	33	42	200	50	M12x1.0	2	-
	SK50AD/B-SFH20-80	P2766010	20	33	42	80	52	M16x1.0	2	1.80
	SK50AD/B-SFH20-130	P2771343A	20	33	42	130	52	M16x1.0	2	-
	SK50AD/B-SFH20-160	P2766015	20	33	42	160	52	M16x1.0	2	2.20
	SK50AD/B-SFH20-200	P2771344A	20	33	42	200	52	M16x1.0	2	-
	SK50AD/B-SFH25-90	P2771330	25	44	53	90	58	M16x1.0	2	2.00
	SK50AD/B-SFH25-130	P2771345A	25	44	53	130	58	M16x1.0	2	-
SK50AD/B-SFH25-160	P2771331	25	44	53	160	58	M16x1.0	2	2.40	
SK50AD/B-SFH25-200	P2771346A	25	44	53	200	58	M16x1.0	2	-	

- ▶ CAT(ASME B5.50) taper and Inch type products are available.
- ▶ Supplied without balancing screws.
- ▶ Balancing grade G2.5 at 25,000RPM or U max. < 1gmm.

SHRINK FIT HOLDER (COOLANT CHANNEL)

SCHRUMPFUTTER
MANDRIN DE FRETAGE
MADRINI PER CALLETAMENTO A CALDO
PORTAHERRAMIENTAS DE COMPRESION POR CALOR

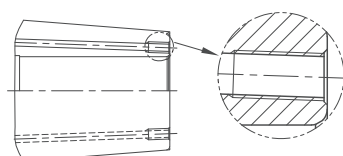


Unit : mm

TAPER No.	MODEL No.	EDP No.	d1	D1	D2	L	L2	G	FIG.	WEIGHT (Kg)
40	SK40AD/B-SFH3C-80*1	P2801337C	3	12	17	80	10	-	1	-
	SK40AD/B-SFH4C-80*1	P2771302C	4	12	17	80	12	-	1	-
	SK40AD/B-SFH5C-80*1	P2801340C	5	12	17	80	15	-	1	-
	SK40AD/B-SFH6C-80	P2801301C	6	21	27	80	36	M5x0.8	2	1.10
	SK40AD/B-SFH6C-130	P2801342C	6	21	27	130	36	M5x0.8	2	-
	SK40AD/B-SFH6C-160	P2801302C	6	21	27	160	36	M5x0.8	2	1.15
	SK40AD/B-SFH8C-80	P2801303C	8	21	27	80	36	M6x1.0	2	1.11
	SK40AD/B-SFH8C-130	P2801343C	8	21	27	130	36	M6x1.0	2	-
	SK40AD/B-SFH8C-160	P2801304C	8	21	27	160	36	M6x1.0	2	1.15
	SK40AD/B-SFH10C-80	P2801305C	10	24	32	80	42	M8x1.0	2	1.10
	SK40AD/B-SFH10C-130	P2801344C	10	24	32	130	42	M8x1.0	2	-
	SK40AD/B-SFH10C-160	P2801306C	10	24	32	160	42	M8x1.0	2	1.15
	SK40AD/B-SFH12C-80	P2801307C	12	24	32	80	47	M10x1.0	2	1.10
	SK40AD/B-SFH12C-130	P2801345C	12	24	32	130	47	M10x1.0	2	-
	SK40AD/B-SFH12C-160	P2801308C	12	24	32	160	47	M10x1.0	2	1.15
	SK40AD/B-SFH14C-80	P2801309C	14	27	34	80	47	M10x1.0	2	1.20
	SK40AD/B-SFH14C-130	P2801346C	14	27	34	130	47	M10x1.0	2	-
	SK40AD/B-SFH14C-160	P2801310C	14	27	34	160	47	M10x1.0	2	1.50
	SK40AD/B-SFH16C-80	P2801311C	16	27	34	80	50	M12x1.0	2	1.20
	SK40AD/B-SFH16C-130	P2801347C	16	27	34	130	50	M12x1.0	2	-
	SK40AD/B-SFH16C-160	P2801312C	16	27	34	160	50	M12x1.0	2	1.50
	SK40AD/B-SFH18C-80	P2801313C	18	33	42	80	50	M12x1.0	2	1.30
	SK40AD/B-SFH18C-130	P2801348C	18	33	42	130	50	M12x1.0	2	-
	SK40AD/B-SFH18C-160	P2801314C	18	33	42	160	50	M12x1.0	2	1.60
	SK40AD/B-SFH20C-80	P2801315C	20	33	42	80	52	M16x1.0	2	1.40
SK40AD/B-SFH20C-130	P2801349C	20	33	42	130	52	M16x1.0	2	-	
SK40AD/B-SFH20C-160	P2801316C	20	33	42	160	52	M16x1.0	2	1.70	
SK40AD/B-SFH25C-90	P2801317C	25	44	53	90	58	M16x1.0	2	1.70	
SK40AD/B-SFH25C-130	P2801350C	25	44	53	130	58	M16x1.0	2	-	
SK40AD/B-SFH25C-160	P2801318C	25	44	53	160	58	M16x1.0	2	2.00	

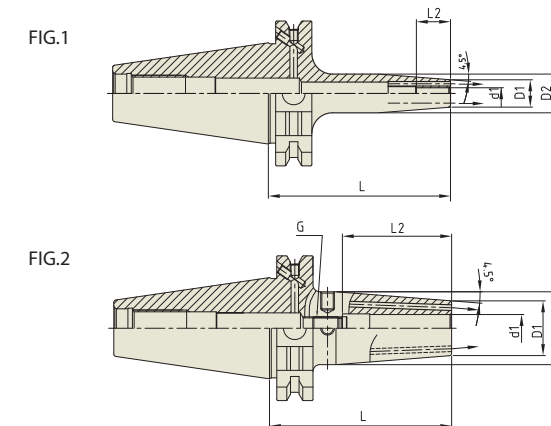
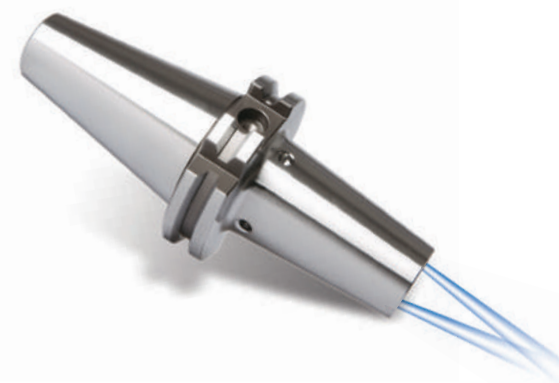
▶ NEXT PAGE

- ▶ CAT(ASME B5.50) taper and Inch type products are available.
- ▶ Supplied without balancing screws.
- ▶ Balancing grade G2.5 at 25,000RPM or U max. < 1gmm.
- ▶ With two coolant channel bores.
- ▶ Resealable coolant channel type is available upon request. (Thread for plugging screw & 2 screws)
- ▶ *1 Resealable type is not available.



SHRINK FIT HOLDER (COOLANT CHANNEL)

SCHRUMPFUTTER
MANDRIN DE FRETAGE
MADRINI PER CALLETAMENTO A CALDO
PORTAHERRAMIENTAS DE COMPRESION POR CALOR

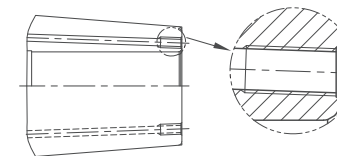


Unit : mm

TAPER No.	MODEL No.	EDP No.	d1	D1	D2	L	L2	G	FIG.	WEIGHT (Kg)
50	SK50AD/B-SFH3C-80*1	P2801338C	3	12	17	80	10	-	1	-
	SK50AD/B-SFH4C-80*1	P2801339C	4	12	17	80	12	-	1	-
	SK50AD/B-SFH5C-80*1	P2801341C	5	12	17	80	15	-	1	-
	SK50AD/B-SFH6C-80	P2801319C	6	21	27	80	36	M5x0.8	2	1.50
	SK50AD/B-SFH6C-130	P2801351C	6	21	27	130	36	M5x0.8	2	-
	SK50AD/B-SFH6C-160	P2801320C	6	21	27	160	36	M5x0.8	2	2.00
	SK50AD/B-SFH8C-80	P2801321C	8	21	27	80	36	M6x1.0	2	1.50
	SK50AD/B-SFH8C-130	P2801353C	8	21	27	130	36	M6x1.0	2	-
	SK50AD/B-SFH8C-160	P2801322C	8	21	27	160	36	M6x1.0	2	2.00
	SK50AD/B-SFH10C-80	P2801323C	10	24	32	80	42	M8x1.0	2	1.50
	SK50AD/B-SFH10C-130	P2801355C	10	24	32	130	42	M8x1.0	2	-
	SK50AD/B-SFH10C-160	P2801324C	10	24	32	160	42	M8x1.0	2	2.00
	SK50AD/B-SFH10C-200	P2801356C	10	24	32	200	42	M8x1.0	2	-
	SK50AD/B-SFH12C-80	P2801325C	12	24	32	80	47	M10x1.0	2	1.60
	SK50AD/B-SFH12C-130	P2801357C	12	24	32	130	47	M10x1.0	2	-
	SK50AD/B-SFH12C-160	P2801326C	12	24	32	160	47	M10x1.0	2	2.10
	SK50AD/B-SFH12C-200	P2801358C	12	24	32	200	47	M10x1.0	2	-
	SK50AD/B-SFH14C-80	P2801327C	14	27	34	80	47	M10x1.0	2	1.60
	SK50AD/B-SFH14C-130	P2801359C	14	27	34	130	47	M10x1.0	2	-
	SK50AD/B-SFH14C-160	P2801328C	14	27	34	160	47	M10x1.0	2	2.10
	SK50AD/B-SFH14C-200	P2801360C	14	27	34	200	47	M10x1.0	2	-
	SK50AD/B-SFH16C-80	P2801329C	16	27	34	80	50	M12x1.0	2	1.60
	SK50AD/B-SFH16C-130	P2801361C	16	27	34	130	50	M12x1.0	2	-
	SK50AD/B-SFH16C-160	P2801330C	16	27	34	160	50	M12x1.0	2	2.10
	SK50AD/B-SFH16C-200	P2801362C	16	27	34	200	50	M12x1.0	2	-

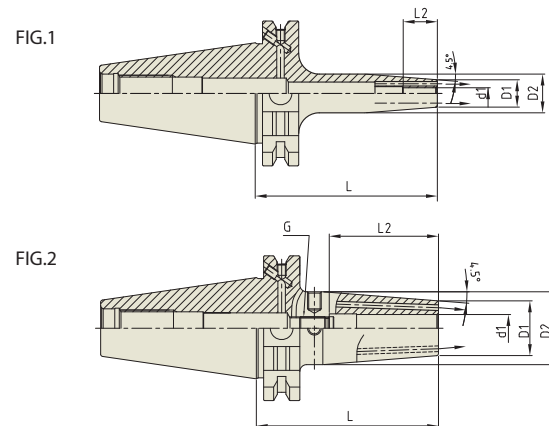
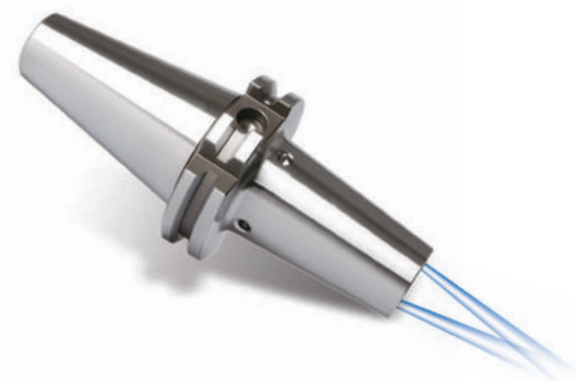
▶ NEXT PAGE

- ▶ CAT(ASME B5.50) taper and Inch type products are available.
- ▶ Supplied without balancing screws.
- ▶ Balancing grade G2.5 at 25,000RPM or U max. < 1gmm.
- ▶ With two coolant channel bores.
- ▶ Resealable coolant channel type is available upon request. (Thread for plugging screw & 2 screws)
- ▶ *1 Resealable type is not available.



SHRINK FIT HOLDER (COOLANT CHANNEL)

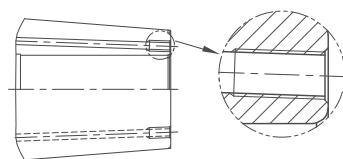
SCHRUMPFUTTER
 MANDRIN DE FRETAGE
 MADRINI PER CALLETAMENTO A CALDO
 PORTAHERRAMIENTAS DE COMPRESION POR CALOR



Unit : mm

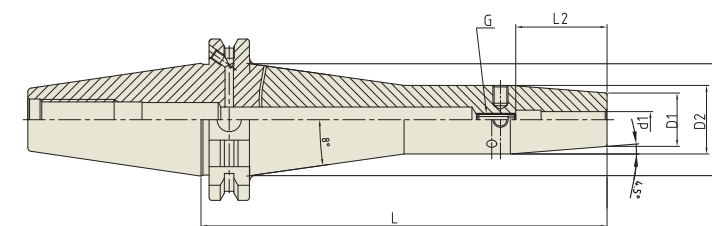
TAPER No.	MODEL No.	EDP No.	d1	D1	D2	L	L2	G	FIG.	WEIGHT (Kg)
50	SK50AD/B-SFH18C-80	P2801331C	18	33	42	80	50	M12x1.0	2	1.60
	SK50AD/B-SFH18C-130	P2801363C	18	33	42	130	50	M12x1.0	2	-
	SK50AD/B-SFH18C-160	P2801332C	18	33	42	160	50	M12x1.0	2	2.00
	SK50AD/B-SFH18C-200	P2801364C	18	33	42	200	50	M12x1.0	2	-
	SK50AD/B-SFH20C-80	P2801333C	20	33	42	80	52	M16x1.0	2	1.80
	SK50AD/B-SFH20C-130	P2801365C	20	33	42	130	52	M16x1.0	2	-
	SK50AD/B-SFH20C-160	P2801334C	20	33	42	160	52	M16x1.0	2	2.20
	SK50AD/B-SFH20C-200	P2801366C	20	33	42	200	52	M16x1.0	2	-
	SK50AD/B-SFH25C-90	P2801335C	25	44	53	90	58	M16x1.0	2	2.00
	SK50AD/B-SFH25C-130	P2801367C	25	44	53	130	58	M16x1.0	2	-
SK50AD/B-SFH25C-160	P2801336C	25	44	53	160	58	M16x1.0	2	2.40	
SK50AD/B-SFH25C-200	P2801368C	25	44	53	200	58	M16x1.0	2	-	

- ▶ CAT(ASME B5.50) taper and Inch type products are available.
- ▶ Supplied without balancing screws.
- ▶ Balancing grade G2.5 at 25,000RPM or U max. < 1gmm.
- ▶ With two coolant channel bores.
- ▶ Resealable coolant channel type is available upon request. (Thread for plugging screw & 2 screws)
- ▶ *1 Resealable type is not available.



SHRINK FIT HOLDER (REINFORCED)

SCHRUMPFUTTER (VERSTÄRKT)
 MANDRIN DE FRETAGE (RENFORCÉ)
 MADRINI PER CALLETAMENTO A CALDO (RINFORZATO)
 PORTAHERRAMIENTAS DE COMPRESION POR CALOR (REFORZADO)



Unit : mm

TAPER No.	MODEL No.	EDP No.	d1	D1	D2	D3	L	L2	G	WEIGHT (Kg)
40	SK40AD/B-SFH6 TW-160	P2801401TW	6	21	27	44.1	160	36	M5x0.8	1.56
	SK40AD/B-SFH8 TW-160	P2801402TW	8	21	27	44.1	160	36	M6x1.0	1.56
	SK40AD/B-SFH10 TW-160	P2801403TW	10	24	32	49.1	160	42	M8x1.0	1.78
	SK40AD/B-SFH12 TW-160	P2801404TW	12	24	32	49.1	160	47	M10x1.0	1.77
	SK40AD/B-SFH14 TW-160	P2801405TW	14	27	34	51.1	160	47	M10x1.0	1.74
	SK40AD/B-SFH16 TW-160	P2801406TW	16	27	34	51.1	160	50	M12x1.0	1.72
50	SK50AD/B-SFH6 TW-160	P2801407TW	6	21	27	44.1	160	36	M5x0.8	3.32
	SK50AD/B-SFH8 TW-160	P2801408TW	8	21	27	44.1	160	36	M6x1.0	3.32
	SK50AD/B-SFH10 TW-160	P2801409TW	10	24	32	49.1	160	42	M8x1.0	3.54
	SK50AD/B-SFH12 TW-160	P2801410TW	12	24	32	49.1	160	47	M10x1.0	3.54
	SK50AD/B-SFH14 TW-160	P2801411TW	14	27	34	51.1	160	47	M10x1.0	3.50
	SK50AD/B-SFH16 TW-160	P2801412TW	16	27	34	51.1	160	50	M12x1.0	3.48
SK50AD/B-SFH20 TW-160	P2801413TW	20	33	42	59.1	160	52	M16x1.0	3.88	

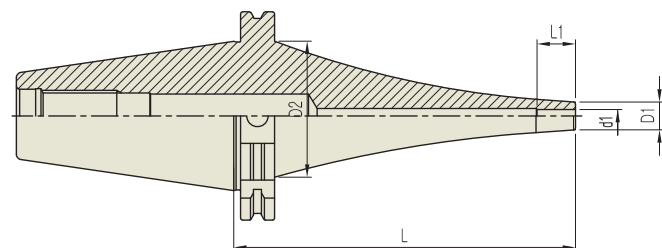
- ▶ CAT(ASME B5.50) taper and Inch type products are available.
- ▶ Supplied without balancing screws.
- ▶ Coolant channel type is available upon request.
- ▶ Balancing grade G2.5 at 25,000RPM or U max. < 1gmm.

SHRINK FIT HOLDER

SFH

SHRINK FIT HOLDER (CURVED)

SCHRUMPFUTTER (GEBOGEN)
 MANDRIN DE FRETAGE (INCURVÉ)
 MADRINI PER CALLETAMENTO A CALDO (CURVO)
 PORTAHERRAMIENTAS DE COMPRESION POR CALOR (CURVADO)



Unit : mm								
TAPER No.	MODEL No.	EDP No.	d1	D1	D2	L	L2	WEIGHT (Kg)
50	SK50AD/B-SFH8CV-195	P2785067CV	8	16	70	195	24	-
	SK50AD/B-SFH10CV-165	P2785068CV	10	19	70	165	30	-
	SK50AD/B-SFH10CV-195	P2785069CV	10	19	70	195	30	-
	SK50AD/B-SFH12CV-165	P2785070CV	12	22	70	165	30	-
	SK50AD/B-SFH12CV-195	P2785071CV	12	22	70	195	30	-

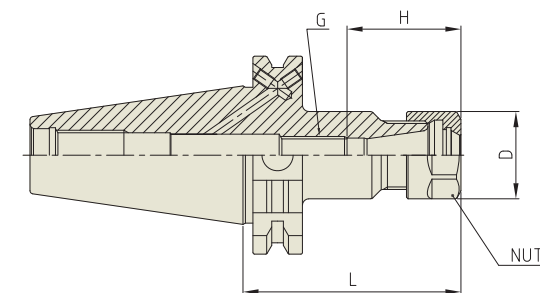
- ▶ CAT(ASME B5.50) taper and Inch type products are available.
- ▶ Supplied without balancing screws.
- ▶ Balancing grade G2.5 at 25,000RPM or U max. < 1gmm.

ER COLLET CHUCK

ER

ER COLLET CHUCK

SPANN FUTTER - ER
 MANDRIN À PINCES - ER
 MANDRINO PORTA PINZE - ER
 PORTAPINZAS - ER



Unit : mm									
TAPER No.	MODEL No.	EDP No.	CLAMPING RANGE	L	D	G	H	NUT / COLLET	WEIGHT (Kg)
40	SK40AD/B-ER11-70	P2774812	0.5 - 7.0	70	19	M6	45	ER11	0.90
	SK40AD/B-ER11-100	P2774826	0.5 - 7.0	100	19	M6	45	ER11	0.95
	SK40AD/B-ER16-70	P2774801	0.5 - 10.0	70	28	M10	36	ER16	0.44
	SK40AD/B-ER16-100	P2774804	0.5 - 10.0	100	28	M10	36	ER16	0.56
	SK40AD/B-ER16-130	P2774827	0.5 - 10.0	130	28	M10	36	ER16	0.69
	SK40AD/B-ER16-160	P2774828	0.5 - 10.0	160	28	M10	36	ER16	0.81
	SK40AD/B-ER20-70	P2774813	0.5 - 13.0	70	34	M12	44.5	ER20	0.47
	SK40AD/B-ER20-100	P2774820	0.5 - 13.0	100	34	M12	44.5	ER20	0.64
	SK40AD/B-ER20-130	P2774829	0.5 - 13.0	130	34	M12	44.5	ER20	0.80
	SK40AD/B-ER20-160	P2774830	0.5 - 13.0	160	34	M12	44.5	ER20	1.00
	SK40AD/B-ER25-70	P2774802	1.0 - 16.0	70	42	M12	52	ER25	0.56
	SK40AD/B-ER25-100	P2774805	1.0 - 16.0	100	42	M12	52	ER25	0.84
	SK40AD/B-ER25-130	P2774831	1.0 - 16.0	130	42	M12	52	ER25	1.14
	SK40AD/B-ER25-160	P2774832	1.0 - 16.0	160	42	M12	52	ER25	1.44
	SK40AD/B-ER32-70	P2774803	1.0 - 20.0	70	50	M12	60	ER32	0.51
	SK40AD/B-ER32-100	P2774806	1.0 - 20.0	100	50	M12	60	ER32	0.88
	SK40AD/B-ER32-130	P2774833	1.0 - 20.0	130	50	M12	60	ER32	1.21
	SK40AD/B-ER32-160	P2774834	1.0 - 20.0	160	50	M12	60	ER32	1.54
	SK40AD/B-ER40-80	P2774814	2.0 - 30.0	80	63	M12	53	ER40	0.65
	SK40AD/B-ER40-100	P2774835	2.0 - 30.0	100	63	M12	75	ER40	0.90
SK40AD/B-ER40-130	P2774836	2.0 - 30.0	130	63	M12	75	ER40	1.34	
SK40AD/B-ER40-160	P2774837	2.0 - 30.0	160	63	M12	75	ER40	1.77	

- ▶ CAT(ASME B5.50) taper and Inch type products are available.
- ▶ Balancing grade G2.5 at 25,000RPM or U max. < 1gmm.
- ▶ For applicable ER collet, please refer to page D296~D304.
- ▶ For applicable ER nut, Sealing disk and Spanner, please refer to page D305~D309.

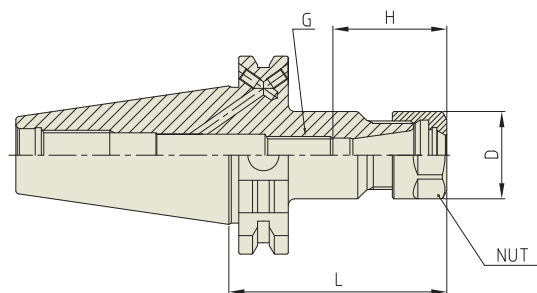
▶ NEXT PAGE

YG ER COLLET CHUCK

ER

ER COLLET CHUCK

SPANN FUTTER-ER
MANDRIN À PINCES-ER
MANDRINO PORTA PINZE-ER
PORTAPINZAS-ER



Unit : mm

TAPER No.	MODEL No.	EDP No.	CLAMPING RANGE	L	D	G	H	NUT / COLLET	WEIGHT (Kg)
50	SK50AD/B-ER16-70	P2774815	0.5 - 10.0	70	28	M10	36	ER16	2.71
	SK50AD/B-ER16-100	P2774821	0.5 - 10.0	100	28	M10	45	ER16	2.82
	SK50AD/B-ER16-130	P2774838	0.5 - 10.0	130	28	M10	36	ER16	2.92
	SK50AD/B-ER16-160	P2774839	0.5 - 10.0	160	28	M10	36	ER16	3.01
	SK50AD/B-ER20-70	P2774816	0.5 - 13.0	70	34	M12	44.5	ER20	2.78
	SK50AD/B-ER20-100	P2774822	0.5 - 13.0	100	34	M12	50	ER20	2.88
	SK50AD/B-ER20-130	P2774840	0.5 - 13.0	130	34	M12	50	ER20	3.02
	SK50AD/B-ER20-160	P2774841	0.5 - 13.0	160	34	M12	50	ER20	3.16
	SK50AD/B-ER25-70	P2774817	1.0 - 16.0	70	42	M12	65	ER25	2.75
	SK50AD/B-ER25-100	P2774823	1.0 - 16.0	100	42	M12	52	ER25	3.06
	SK50AD/B-ER25-130	P2774842	1.0 - 16.0	130	42	M12	42	ER25	3.32
	SK50AD/B-ER25-160	P2774843	1.0 - 16.0	160	42	M12	42	ER25	3.57
	SK50AD/B-ER32-70	P2774818	1.0 - 20.0	70	50	M12	60	ER32	2.84
	SK50AD/B-ER32-100	P2774824	1.0 - 20.0	100	50	M12	60	ER32	3.29
	SK50AD/B-ER32-130	P2774844	1.0 - 20.0	130	50	M12	73	ER32	3.67
	SK50AD/B-ER32-160	P2774845	1.0 - 20.0	160	50	M12	73	ER32	4.06
	SK50AD/B-ER40-80	P2774819	2.0 - 30.0	80	63	M12	69	ER40	3.10
	SK50AD/B-ER40-100	P2774825	2.0 - 30.0	100	63	M12	75	ER40	3.56
	SK50AD/B-ER40-130	P2774846	2.0 - 30.0	130	63	M12	75	ER40	4.22
	SK50AD/B-ER40-160	P2774847	2.0 - 30.0	160	63	M12	75	ER40	4.88

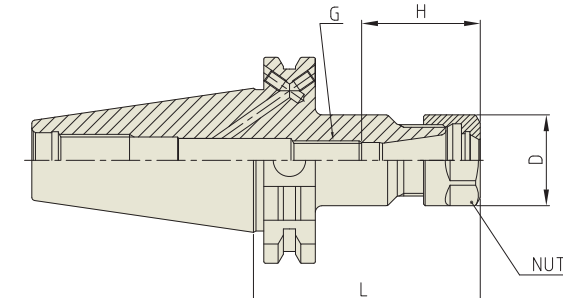
- ▶ CAT(ASME B5.50) taper and Inch type products are available.
- ▶ Balancing grade G2.5 at 25,000RPM or U max. < 1gmm.
- ▶ For applicable ER collet, please refer to page D296~D304.
- ▶ For applicable ER nut, Sealing disk and Spanner, please refer to page D305~D309.

YG ER COLLET CHUCK

ER

ER COLLET CHUCK

SPANN FUTTER-ER
MANDRIN À PINCES-ER
MANDRINO PORTA PINZE-ER
PORTAPINZAS-ER



Unit : mm

TAPER No.	MODEL No.	EDP No.	CLAMPING RANGE	L	D	G	H	NUT / COLLET	WEIGHT (Kg)
40	SK40AD/B-ER11-70	P2537006	0.5 - 7.0	70	19	M6	45	ER11	0.90
	SK40AD/B-ER11-100	P2771802	0.5 - 7.0	100	19	M6	45	ER11	0.95
	SK40AD/B-ER16-70	P2537033	0.5 - 10.0	70	28	M10	36	ER16	0.44
	SK40AD/B-ER16-100	P2537017	0.5 - 10.0	100	28	M10	36	ER16	0.56
	SK40AD/B-ER16-130	P2771803	0.5 - 10.0	130	28	M10	36	ER16	0.69
	SK40AD/B-ER16-160	P2771804	0.5 - 10.0	160	28	M10	36	ER16	0.81
	SK40AD/B-ER20-70	P2537034	0.5 - 13.0	70	34	M12	44.5	ER20	0.47
	SK40AD/B-ER20-100	P2537018	0.5 - 13.0	100	34	M12	44.5	ER20	0.64
	SK40AD/B-ER20-130	P2771805	0.5 - 13.0	130	34	M12	44.5	ER20	0.80
	SK40AD/B-ER20-160	P2771806	0.5 - 13.0	160	34	M12	44.5	ER20	1.00
	SK40AD/B-ER25-70	P2537009	1.0 - 16.0	70	42	M12	52	ER25	0.56
	SK40AD/B-ER25-100	P2537019	1.0 - 16.0	100	42	M12	52	ER25	0.84
	SK40AD/B-ER25-130	P2771807	1.0 - 16.0	130	42	M12	52	ER25	1.14
	SK40AD/B-ER25-160	P2771808	1.0 - 16.0	160	42	M12	52	ER25	1.44
	SK40AD/B-ER32-70	P2537032	1.0 - 20.0	70	50	M12	60	ER32	0.51
	SK40AD/B-ER32-100	P2537020	1.0 - 20.0	100	50	M12	60	ER32	0.88
	SK40AD/B-ER32-130	P2771809	1.0 - 20.0	130	50	M12	60	ER32	1.21
	SK40AD/B-ER32-160	P2771810	1.0 - 20.0	160	50	M12	60	ER32	1.54
	SK40AD/B-ER40-80	P2537011	2.0 - 30.0	80	63	M12	53	ER40	0.65
	SK40AD/B-ER40-100	P2771811	2.0 - 30.0	100	63	M12	75	ER40	0.90
SK40AD/B-ER40-130	P2771812	2.0 - 30.0	130	63	M12	75	ER40	1.34	
SK40AD/B-ER40-160	P2771813	2.0 - 30.0	160	63	M12	75	ER40	1.77	

- ▶ CAT(ASME B5.50) taper and Inch type products are available.
- ▶ For applicable ER collet, please refer to page D296~D304.
- ▶ For applicable ER nut, Sealing disk and Spanner, please refer to page D305~D309.

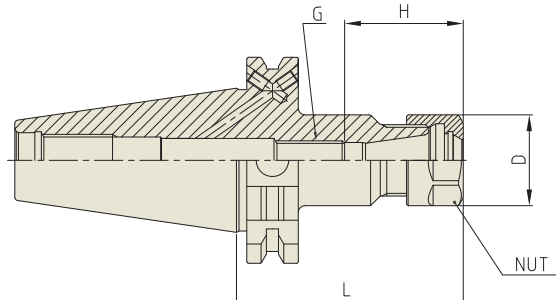
▶ NEXT PAGE

YG ER COLLET CHUCK

ER

ER COLLET CHUCK

SPANN FUTTER - ER
MANDRIN À PINCES - ER
MANDRINO PORTA PINZE - ER
PORTAPINZAS - ER



Unit : mm

TAPER No.	MODEL No.	EDP No.	CLAMPING RANGE	L	D	G	H	NUT / COLLET	WEIGHT (Kg)
50	SK50AD/B-ER16-70	P2537012	0.5 - 10.0	70	28	M10	36	ER16	2.71
	SK50AD/B-ER16-100	P2537021	0.5 - 10.0	100	28	M10	45	ER16	2.82
	SK50AD/B-ER16-130	P2771814	0.5 - 10.0	130	28	M10	36	ER16	2.92
	SK50AD/B-ER16-160	P2771815	0.5 - 10.0	160	28	M10	36	ER16	3.01
	SK50AD/B-ER20-70	P2771801	0.5 - 13.0	70	34	M12	44.5	ER20	2.78
	SK50AD/B-ER20-100	P2537022	0.5 - 13.0	100	34	M12	50	ER20	2.88
	SK50AD/B-ER20-130	P2771816	0.5 - 13.0	130	34	M12	50	ER20	3.02
	SK50AD/B-ER20-160	P2771817	0.5 - 13.0	160	34	M12	50	ER20	3.16
	SK50AD/B-ER25-70	P2600030	1.0 - 16.0	70	42	M12	65	ER25	2.75
	SK50AD/B-ER25-100	P2537023	1.0 - 16.0	100	42	M12	52	ER25	3.06
	SK50AD/B-ER25-130	P2771818	1.0 - 16.0	130	42	M12	42	ER25	3.32
	SK50AD/B-ER25-160	P2771819	1.0 - 16.0	160	42	M12	42	ER25	3.57
	SK50AD/B-ER32-70	P2537035	1.0 - 20.0	70	50	M12	60	ER32	2.84
	SK50AD/B-ER32-100	P2537024	1.0 - 20.0	100	50	M12	60	ER32	3.29
	SK50AD/B-ER32-130	P2771820	1.0 - 20.0	130	50	M12	73	ER32	3.67
	SK50AD/B-ER32-160	P2771821	1.0 - 20.0	160	50	M12	73	ER32	4.06
SK50AD/B-ER40-80	P2537016	2.0 - 30.0	80	63	M12	69	ER40	3.10	
SK50AD/B-ER40-100	P2537025	2.0 - 30.0	100	63	M12	75	ER40	3.56	
SK50AD/B-ER40-130	P2771822	2.0 - 30.0	130	63	M12	75	ER40	4.22	
SK50AD/B-ER40-160	P2771823	2.0 - 30.0	160	63	M12	75	ER40	4.88	

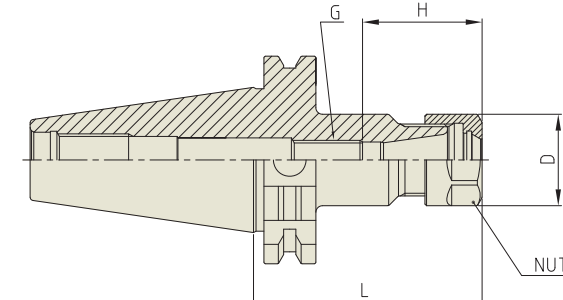
- ▶ CAT(ASME B5.50) taper and Inch type products are available.
- ▶ For applicable ER collet, please refer to page D296~D304.
- ▶ For applicable ER nut, Sealing disk and Spanner, please refer to page D305~D309.

YG ER COLLET CHUCK

ER

ER COLLET CHUCK

SPANN FUTTER - ER
MANDRIN À PINCES - ER
MANDRINO PORTA PINZE - ER
PORTAPINZAS - ER



Unit : mm

TAPER No.	MODEL No.	EDP No.	CLAMPING RANGE	L	D	G	H	NUT / COLLET	WEIGHT (Kg)
30	SK30-ER11-55	P2527001	0.5 - 7.0	55	19	M6	45	ER11	0.43
	SK30-ER16-55	P2527002	0.5 - 10.0	55	28	M10	45	ER16	0.44
	SK30-ER20-55	P2527003	0.5 - 13.0	55	34	M12	50	ER20	0.44
	SK30-ER25-55	P2527004	1.0 - 16.0	55	42	M12	65	ER25	0.42
	SK30-ER32-60	P2527005	1.0 - 20.0	60	50	M12	65	ER32	0.46
	SK40-ER11-70	P2527006	0.5 - 7.0	70	19	M6	45	ER11	0.90
40	SK40-ER11-100	P2527027	0.5 - 7.0	100	19	M6	45	ER11	0.95
	SK40-ER16-70	P2776417	0.5 - 10.0	70	28	M10	45	ER16	0.44
	SK40-ER16-100	P2527018	0.5 - 10.0	100	28	M10	45	ER16	0.56
	SK40-ER16-130	P2527028	0.5 - 10.0	130	28	M10	45	ER16	0.69
	SK40-ER16-160	P2527029	0.5 - 10.0	160	28	M10	45	ER16	0.81
	SK40-ER20-70	P2776418	0.5 - 13.0	70	34	M12	50	ER20	0.47
	SK40-ER20-100	P2527019	0.5 - 13.0	100	34	M12	50	ER20	0.64
	SK40-ER20-130	P2527030	0.5 - 13.0	130	34	M12	50	ER20	0.80
	SK40-ER20-160	P2527031	0.5 - 13.0	160	34	M12	50	ER20	1.00
	SK40-ER25-70	P2776419	1.0 - 16.0	70	42	M12	65	ER25	0.56
	SK40-ER25-100	P2776429	1.0 - 16.0	100	42	M12	65	ER25	0.84
	SK40-ER25-130	P2527032	1.0 - 16.0	130	42	M12	65	ER25	1.14
	SK40-ER25-160	P2527033	1.0 - 16.0	160	42	M12	65	ER25	1.44
	SK40-ER32-70	P2776420	1.0 - 20.0	70	50	M12	65	ER32	0.51
	SK40-ER32-100	P2776430	1.0 - 20.0	100	50	M12	65	ER32	0.88
	SK40-ER32-130	P2527034	1.0 - 20.0	130	50	M12	65	ER32	1.21
	SK40-ER32-160	P2527035	1.0 - 20.0	160	50	M12	65	ER32	1.54
	SK40-ER40-80	P2527011	2.0 - 30.0	80	63	M12	69	ER40	0.65
	SK40-ER40-100	P2527036	2.0 - 30.0	100	63	M12	69	ER40	0.90
	SK40-ER40-130	P2527037	2.0 - 30.0	130	63	M12	69	ER40	1.34
	SK40-ER40-160	P2527038	2.0 - 30.0	160	63	M12	69	ER40	1.77

- ▶ CAT(ASME B5.50) taper and Inch type products are available.
- ▶ For applicable ER collet, please refer to page D296~D304.
- ▶ For applicable ER nut, Sealing disk and Spanner, please refer to page D305~D309.

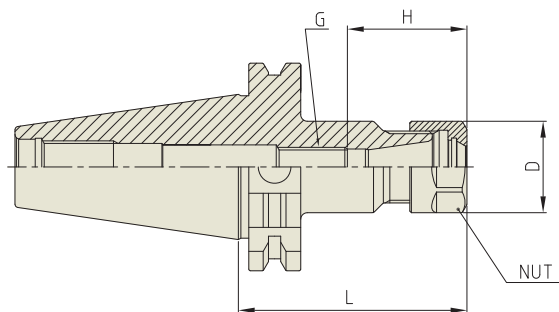
▶ NEXT PAGE

YG ER COLLET CHUCK

ER

ER COLLET CHUCK

SPANN FUTTER - ER
MANDRIN À PINCES - ER
MANDRINO PORTA PINZE - ER
PORTAPINZAS - ER



Unit : mm									
TAPER No.	MODEL No.	EDP No.	CLAMPING RANGE	L	D	G	H	NUT / COLLET	WEIGHT (Kg)
50	SK50-ER16-70	P2527012	0.5 - 10.0	70	28	M10	45	ER16	2.71
	SK50-ER16-100	P2527022	0.5 - 10.0	100	28	M10	45	ER16	2.82
	SK50-ER16-130	P2527039	0.5 - 10.0	130	28	M10	45	ER16	2.92
	SK50-ER16-160	P2527040	0.5 - 10.0	160	28	M10	45	ER16	3.01
	SK50-ER20-70	P2776423	0.5 - 13.0	70	34	M12	50	ER20	2.78
	SK50-ER20-100	P2527023	0.5 - 13.0	100	34	M12	40.5	ER20	2.88
	SK50-ER20-130	P2527041	0.5 - 13.0	130	34	M12	50	ER20	3.02
	SK50-ER20-160	P2527042	0.5 - 13.0	160	34	M12	50	ER20	3.16
	SK50-ER25-70	P2776424	1.0 - 16.0	70	42	M12	65	ER25	2.75
	SK50-ER25-100	P2527024	1.0 - 16.0	100	42	M12	65	ER25	3.06
	SK50-ER25-130	P2527043	1.0 - 16.0	130	42	M12	65	ER25	3.32
	SK50-ER25-160	P2527044	1.0 - 16.0	160	42	M12	65	ER25	3.57
	SK50-ER32-70	P2776425	1.0 - 20.0	70	50	M12	65	ER32	2.84
	SK50-ER32-100	P2527025	1.0 - 20.0	100	50	M12	65	ER32	3.29
	SK50-ER32-130	P2527045	1.0 - 20.0	130	50	M12	65	ER32	3.67
	SK50-ER32-160	P2527046	1.0 - 20.0	160	50	M12	65	ER32	4.06
	SK50-ER40-80	P2527016	2.0 - 30.0	80	63	M12	75	ER40	3.10
	SK50-ER40-100	P2527026	2.0 - 30.0	100	63	M12	75	ER40	3.56
	SK50-ER40-130	P2527047	2.0 - 30.0	130	63	M12	75	ER40	4.22
	SK50-ER40-160	P2527048	2.0 - 30.0	160	63	M12	75	ER40	4.88

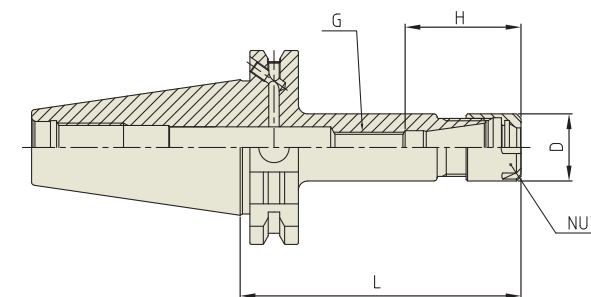
- ▶ CAT(ASME B5.50) taper and Inch type products are available.
- ▶ For applicable ER collet, please refer to page D296~D304.
- ▶ For applicable ER nut, Sealing disk and Spanner, please refer to page D305~D309.

YG ER COLLET CHUCK

ER

ER COLLET CHUCK (SLIM)

SPANN FUTTER - ER
MANDRIN À PINCES - ER
MANDRINO PORTA PINZE - ER
PORTAPINZAS - ER



Unit : mm									
TAPER No.	MODEL No.	EDP No.	CLAMPING RANGE	L	D	G	H	NUT / COLLET	WEIGHT (Kg)
40	SK40AD/B-ER11M-100	P2802640	0.5 - 7.0	100	16	M6	29.5	ER11M / ER11	-
	SK40AD/B-ER11M-130	P2802641	0.5 - 7.0	130	16	M6	29.5	ER11M / ER11	-
	SK40AD/B-ER11M-160	P2802642	0.5 - 7.0	160	16	M6	29.5	ER11M / ER11	-
	SK40AD/B-ER16M-100	P2802643	0.5 - 10.0	100	22	M10	38	ER16M / ER16	-
	SK40AD/B-ER16M-130	P2802644	0.5 - 10.0	130	22	M10	38	ER16M / ER16	-
	SK40AD/B-ER16M-160	P2802645	0.5 - 10.0	160	22	M10	38	ER16M / ER16	-
	SK40AD/B-ER20M-100	P2802646	0.5 - 13.0	100	28	M12	44.5	ER20M / ER20	-
	SK40AD/B-ER20M-130	P2802647	0.5 - 13.0	130	28	M12	44.5	ER20M / ER20	-
	SK40AD/B-ER20M-160	P2802648	0.5 - 13.0	160	28	M12	44.5	ER20M / ER20	-
	SK40AD/B-ER25M-100	P2802649	0.5 - 16.0	100	35	M12	52	ER25M / ER25	-
	SK40AD/B-ER25M-130	P2802650	0.5 - 16.0	130	35	M12	52	ER25M / ER25	-
	SK40AD/B-ER25M-160	P2802651	0.5 - 16.0	160	35	M12	52	ER25M / ER25	-
	SK50AD/B-ER16M-100	P2802652	0.5 - 10.0	100	22	M10	38	ER16M / ER16	-
	SK50AD/B-ER16M-130	P2802653	0.5 - 10.0	130	22	M10	38	ER16M / ER16	-
SK50AD/B-ER16M-160	P2802654	0.5 - 10.0	160	22	M10	38	ER16M / ER16	-	
SK50AD/B-ER20M-100	P2802655	0.5 - 13.0	100	28	M12	44.5	ER20M / ER20	-	
SK50AD/B-ER20M-130	P2802656	0.5 - 13.0	130	28	M12	44.5	ER20M / ER20	-	
SK50AD/B-ER20M-160	P2802657	0.5 - 13.0	160	28	M12	44.5	ER20M / ER20	-	
SK50AD/B-ER25M-100	P2802658	0.5 - 16.0	100	35	M12	52	ER25M / ER25	-	
SK50AD/B-ER25M-130	P2802659	0.5 - 16.0	130	35	M12	52	ER25M / ER25	-	
SK50AD/B-ER25M-160	P2802660	0.5 - 16.0	160	35	M12	52	ER25M / ER25	-	

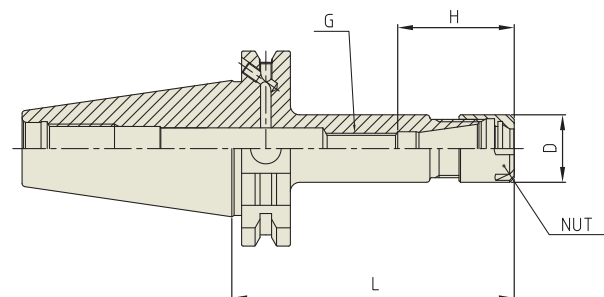
- ▶ CAT(ASME B5.50) taper and Inch type products are available.
- ▶ Balancing grade G2.5 at 25,000RPM or U max. < 1gmm.
- ▶ For applicable ER collet, please refer to page D296~D304.
- ▶ For applicable ER nut, Sealing disk and Spanner, please refer to page D307 & D309.

ER COLLET CHUCK

ER

ER COLLET CHUCK (SLIM)

SPANN FUTTER - ER
MANDRIN À PINCES - ER
MANDRINO PORTA PINZE - ER
PORTAPINZAS - ER



Unit : mm									
TAPER No.	MODEL No.	EDP No.	CLAMPING RANGE	L	D	G	H	NUT / COLLET	WEIGHT (Kg)
40	SK40AD/B-ER11M-100	P2802661	0.5 - 7.0	100	16	M6	29.5	ER11M / ER11	-
	SK40AD/B-ER11M-130	P2802662	0.5 - 7.0	130	16	M6	29.5	ER11M / ER11	-
	SK40AD/B-ER11M-160	P2802663	0.5 - 7.0	160	16	M6	29.5	ER11M / ER11	-
	SK40AD/B-ER16M-100	P2802664	0.5 - 10.0	100	22	M10	38	ER16M / ER16	-
	SK40AD/B-ER16M-130	P2802665	0.5 - 10.0	130	22	M10	38	ER16M / ER16	-
	SK40AD/B-ER16M-160	P2802666	0.5 - 10.0	160	22	M10	38	ER16M / ER16	-
	SK40AD/B-ER20M-100	P2802667	0.5 - 13.0	100	28	M12	44.5	ER20M / ER20	-
	SK40AD/B-ER20M-130	P2802668	0.5 - 13.0	130	28	M12	44.5	ER20M / ER20	-
	SK40AD/B-ER20M-160	P2802669	0.5 - 13.0	160	28	M12	44.5	ER20M / ER20	-
	SK40AD/B-ER25M-100	P2802670	0.5 - 16.0	100	35	M12	52	ER25M / ER25	-
	SK40AD/B-ER25M-130	P2802671	0.5 - 16.0	130	35	M12	52	ER25M / ER25	-
	SK40AD/B-ER25M-160	P2802672	0.5 - 16.0	160	35	M12	52	ER25M / ER25	-
50	SK50AD/B-ER16M-100	P2802673	0.5 - 10.0	100	22	M10	38	ER16M / ER16	-
	SK50AD/B-ER16M-130	P2802674	0.5 - 10.0	130	22	M10	38	ER16M / ER16	-
	SK50AD/B-ER16M-160	P2802675	0.5 - 10.0	160	22	M10	38	ER16M / ER16	-
	SK50AD/B-ER20M-100	P2802676	0.5 - 13.0	100	28	M12	44.5	ER20M / ER20	-
	SK50AD/B-ER20M-130	P2802677	0.5 - 13.0	130	28	M12	44.5	ER20M / ER20	-
	SK50AD/B-ER20M-160	P2802678	0.5 - 13.0	160	28	M12	44.5	ER20M / ER20	-
	SK50AD/B-ER25M-100	P2802679	0.5 - 16.0	100	35	M12	52	ER25M / ER25	-
	SK50AD/B-ER25M-130	P2802680	0.5 - 16.0	130	35	M12	52	ER25M / ER25	-
	SK50AD/B-ER25M-160	P2802681	0.5 - 16.0	160	35	M12	52	ER25M / ER25	-

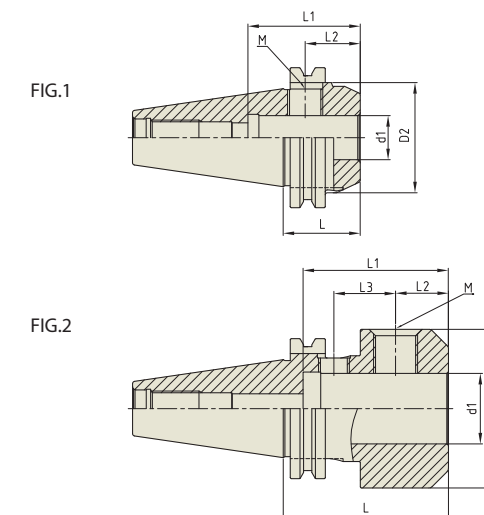
- ▶ CAT(ASME B5.50) taper and Inch type products are available.
- ▶ For applicable ER collet, please refer to page D296~D304.
- ▶ For applicable ER nut, Sealing disk and Spanner, please refer to page D307 & D309.

END MILL HOLDER

EMH

END MILL HOLDER (SHORT TYPE)

FRÄSERFUTTER UND FLÄCHENSPANNFUTTER
MANDRIN PORTE FRAISE À QUEUE CYLINDRIQUE, À MÉPLAT
MANDRINI PORTA FRESA TIPO WELDON
PORTAFRESAS Y EJES DE SUJECCION LATERAL

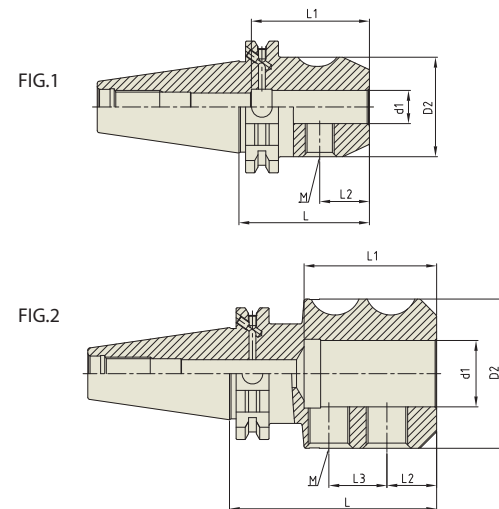


Unit : mm											
TAPER No.	MODEL No.	EDP No.	d1	D2	L	L1	L2	L3	M	FIG.	WEIGHT (Kg)
40	SK40-EMH16-35	P2521001	16	48	35	51	24	-	M14	1	0.80
	SK40-EMH20-35	P2521027	20	50	35	51	25	-	M16	1	0.90
	SK40-EMH25-60	P2521003	25	50	60	59	24	25	M18 / M14	2	1.20
	SK40-EMH32-75	P2521030	32	72	75	66	24	28	M20 / M14	2	1.80
50	SK50-EMH25-60	P2521031	25	65	60	60	23.5	25.4	M18 / M14	2	3.35
	SK50-EMH32-60	P2521032	32	72	60	63	24	24.9	M20 / M14	2	3.50

- ▶ CAT(ASME B5.50) taper and Inch type products are available.

END MILL HOLDER

FRÄSERFUTTER UND FLÄCHENSPANNFUTTER
MANDRIN PORTE FRAISE À QUEUE CYLINDRIQUE, À MÉPLAT
MANDRINI PORTA FRESA TIPO WELDON
PORTAFRESAS Y EJES DE SUJECCION LATERAL



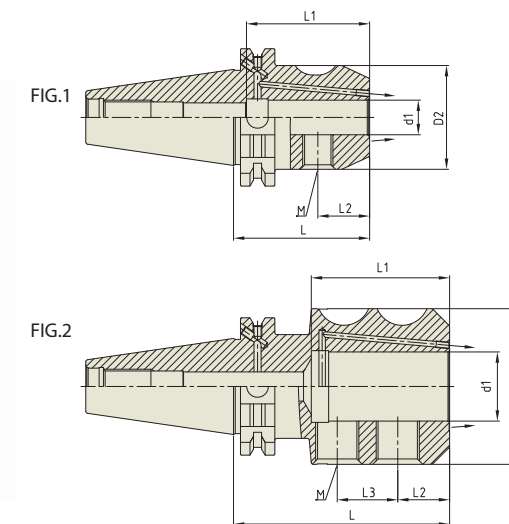
Unit : mm

TAPER No.	MODEL No.	EDP No.	d1	D2	L	L1	L2	L3	M	FIG.	WEIGHT (Kg)
30	SK30-EMH6-50	P2779025A	6	25	50	35	18	-	M6	1	0.73
	SK30-EMH8-50	P2779026A	8	28	50	35	18	-	M8	1	0.83
	SK30-EMH10-50	P2779027A	10	35	50	42	20	-	M10	1	0.90
	SK30-EMH12-50	P2779028A	12	42	50	47	22.5	-	M12	1	0.90
	SK30-EMH16-63	P2779029A	16	48	63	50	24	-	M14	1	1.10
40	SK40AD/B-EMH6-50	P2779030	6	25	50	35	18	-	M6	1	0.86
	SK40AD/B-EMH8-50	P2779031	8	28	50	35	18	-	M8	1	0.89
	SK40AD/B-EMH10-50	P2779032	10	35	50	39	20	-	M10	1	0.95
	SK40AD/B-EMH12-50	P2779033	12	42	50	46	22.5	-	M12	1	1.03
	SK40AD/B-EMH16-63	P2779034	16	48	63	57	24	-	M14	1	1.26
	SK40AD/B-EMH20-63	P2779035	20	52	63	54	25	-	M16	1	1.28
	SK40AD/B-EMH25-100	P2779036	25	65	100	60	24	25	M18	2	2.28
	SK40AD/B-EMH32-100	P2779037	32	72	100	64	24	28	M20	2	2.50
	SK50AD/B-EMH6-63	P2779038	6	25	63	35	18	-	M6	1	2.70
50	SK50AD/B-EMH8-63	P2779039	8	28	63	35	18	-	M8	1	2.70
	SK50AD/B-EMH10-63	P2779040	10	35	63	39	20	-	M10	1	2.90
	SK50AD/B-EMH12-63	P2779041	12	42	63	46	22.5	-	M12	1	2.90
	SK50AD/B-EMH16-63	P2779042	16	48	63	49	24	-	M14	1	3.00
	SK50AD/B-EMH20-63	P2779043	20	52	63	52	25	-	M16	1	3.05
	SK50AD/B-EMH25-80	P2779044	25	65	80	60	24	25	M18	2	3.73
	SK50AD/B-EMH32-100	P2779045	32	72	100	64	24	28	M20	2	4.53
	SK50AD/B-EMH40-100	P2779046	40	80	100	74	30	32	M20	2	4.77
	SK50AD/B-EMH50-125	P2779047	50	100	125	84	35	35	M24	2	7.03

- ▶ CAT(ASME B5.50) taper and Inch type products are available.
- ▶ Standard End Mill Holder is for a cutting tool with Weldon shank and End Mill Holder for a cutting tool with Whistle notch is available upon request.
- ▶ Combi-style Holder with ball jointed clamping screw which can be used with cutting tools with Weldon and Whistle notch shank is available.
- ▶ Balancing grade G2.5 at 25,000RPM or U max. < 1gmm.

END MILL HOLDER (COOLANT CHANNEL)

FRÄSERFUTTER UND FLÄCHENSPANNFUTTER
MANDRIN PORTE FRAISE À QUEUE CYLINDRIQUE, À MÉPLAT
MANDRINI PORTA FRESA TIPO WELDON
PORTAFRESAS Y EJES DE SUJECCION LATERAL



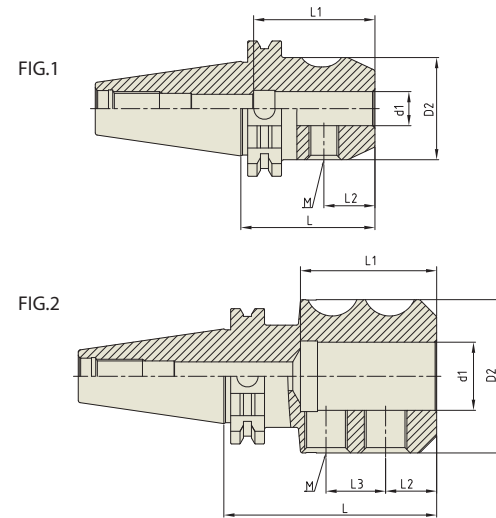
Unit : mm

TAPER No.	MODEL No.	EDP No.	d1	D2	L	L1	L2	L3	M	FIG.	WEIGHT (Kg)	
40	SK40AD/B-EMH6C-50	P2779048	6	25	50	35	18	-	M6	1	0.86	
	SK40AD/B-EMH8C-50	P2779049	8	28	50	35	18	-	M8	1	0.89	
	SK40AD/B-EMH10C-50	P2779050	10	35	50	39	20	-	M10	1	0.95	
	SK40AD/B-EMH12C-50	P2779051	12	42	50	36	22.5	-	M12	1	1.03	
	SK40AD/B-EMH14C-50	P2779052	14	44	50	48	22.5	-	M12	1	1.26	
	SK40AD/B-EMH16C-63	P2779053	16	48	63	54	24	-	M14	1	1.28	
	SK40AD/B-EMH18C-63	P2779054	18	50	63	54	24	-	M14	1	1.35	
	SK40AD/B-EMH20C-63	P2779055	20	52	63	54	25	-	M16	1	1.28	
	SK40AD/B-EMH25C-100	P2779056	25	65	100	55	24	25	M18	2	2.28	
	SK40AD/B-EMH32C-100	P2779057	32	72	100	69	24	28	M20	2	2.50	
	50	SK50AD/B-EMH6C-63	P2779058	6	25	63	35	18	-	M6	1	2.70
		SK50AD/B-EMH8C-63	P2779059	8	28	63	35	18	-	M8	1	2.70
SK50AD/B-EMH10C-63		P2779060	10	35	63	39	20	-	M10	1	2.90	
SK50AD/B-EMH12C-63		P2779061	12	42	63	46	22.5	-	M12	1	2.90	
SK50AD/B-EMH14C-63		P2779062	14	44	63	46	22.5	-	M12	1	2.90	
SK50AD/B-EMH16C-63		P2779063	16	48	63	46	24	-	M14	1	3.00	
SK50AD/B-EMH18C-63		P2779064	18	50	63	46	24	-	M14	1	3.00	
SK50AD/B-EMH20C-63		P2779065	20	52	63	56	25	-	M16	1	3.05	
SK50AD/B-EMH25C-80		P2779066	25	65	80	60	24	25	M18	2	3.73	
SK50AD/B-EMH32C-100		P2779067	32	72	100	64	24	28	M20	2	4.53	
SK50AD/B-EMH40C-120		P2779068	40	80	120	74	30	32	M20	2	4.77	
SK50AD/B-EMH50C-125		P2779069	50	100	125	84	35	35	M24	2	7.03	

- ▶ CAT(ASME B5.50) taper and Inch type products are available.
- ▶ Standard End Mill Holder is for a cutting tool with Weldon shank and End Mill Holder for a cutting tool with Whistle notch is available upon request.
- ▶ Combi-style Holder with ball jointed clamping screw which can be used with cutting tools with Weldon and Whistle notch shank is available.
- ▶ Balancing grade G2.5 at 25,000RPM or U max. < 1gmm.

END MILL HOLDER

FRÄSERFUTTER UND FLÄCHENSPANNFUTTER
 MANDRIN PORTE FRAISE À QUEUE CYLINDRIQUE, À MÉPLAT
 MANDRINI PORTA FRESA TIPO WELDON
 PORTAFRESAS Y EJES DE SUJECCION LATERAL



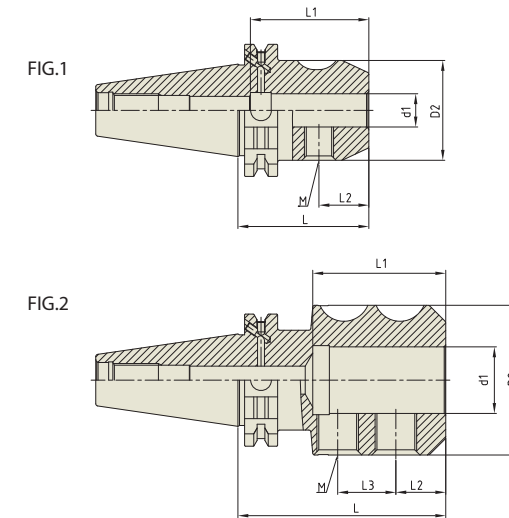
Unit : mm

TAPER No.	MODEL No.	EDP No.	d1	D2	L	L1	L2	L3	M	FIG.	WEIGHT (Kg)
30	SK30-EMH6-50	P2521004	6	25	50	35	18	-	M6	1	0.73
	SK30-EMH8-50	P2521005	8	28	50	35	18	-	M8	1	0.83
	SK30-EMH10-50	P2521006	10	35	50	42	20	-	M10	1	0.90
	SK30-EMH12-50	P2521007	12	42	50	47	22.5	-	M12	1	0.90
	SK30-EMH16-63	P2521008	16	48	63	50	24	-	M14	1	1.10
40	SK40-EMH6-50	P2521009	6	25	50	35	18	-	M6	1	0.86
	SK40-EMH8-50	P2521010	8	28	50	35	18	-	M8	1	0.89
	SK40-EMH10-50	P2521011	10	35	50	39	20	-	M10	1	0.95
	SK40-EMH12-50	P2521012	12	42	50	46	22.5	-	M12	1	1.03
	SK40-EMH16-63	P2521013	16	48	63	57	24	-	M14	1	1.26
	SK40-EMH20-63	P2521014	20	52	63	54	25	-	M16	1	1.28
	SK40-EMH25-100	P2521015	25	65	100	60	24	25	M18	2	2.28
SK40-EMH32-100	P2521016	32	72	100	64	24	28	M20	2	2.50	
50	SK50-EMH6-63	P2521017	6	25	63	35	18	-	M6	1	2.70
	SK50-EMH8-63	P2521018	8	28	63	35	18	-	M8	1	2.70
	SK50-EMH10-63	P2521019	10	35	63	39	20	-	M10	1	2.90
	SK50-EMH12-63	P2521020	12	42	63	46	22.5	-	M12	1	2.90
	SK50-EMH16-63	P2521021	16	48	63	49	24	-	M14	1	3.00
	SK50-EMH20-63	P2521022	20	52	63	52	25	-	M16	1	3.05
	SK50-EMH25-80	P2521023	25	65	80	60	24	25	M18	2	3.73
	SK50-EMH32-100	P2521024	32	72	100	64	24	28	M20	2	4.53
	SK50-EMH40-100	P2521025	40	80	100	74	30	32	M20	2	4.77
	SK50-EMH50-125	P2521026	50	100	125	84	35	35	M24	2	7.03

- ▶ CAT(ASME B5.50) taper and Inch type products are available.
- ▶ Standard End Mill Holder is for a cutting tool with Weldon shank and End Mill Holder for a cutting tool with Whistle notch is available upon request.
- ▶ Combi-style Holder with ball jointed clamping screw which can be used with cutting tools with Weldon and Whistle notch shank is available.

END MILL HOLDER

FRÄSERFUTTER UND FLÄCHENSPANNFUTTER
 MANDRIN PORTE FRAISE À QUEUE CYLINDRIQUE, À MÉPLAT
 MANDRINI PORTA FRESA TIPO WELDON
 PORTAFRESAS Y EJES DE SUJECCION LATERAL



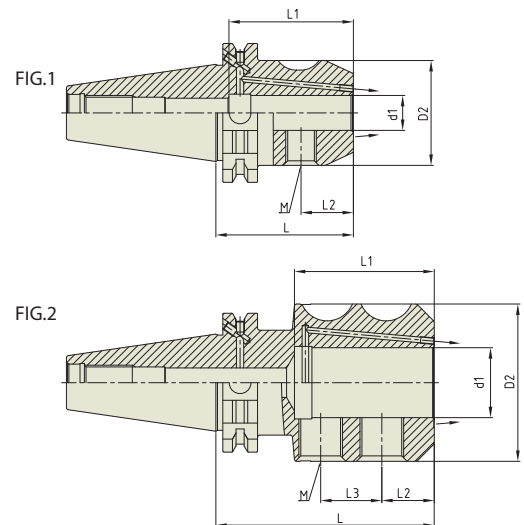
Unit : mm

TAPER No.	MODEL No.	EDP No.	d1	D2	L	L1	L2	L3	M	FIG.	WEIGHT (Kg)
40	SK40AD/B-EMH6-50	P2531009	6	25	50	35	18	-	M6	1	0.86
	SK40AD/B-EMH8-50	P2531010	8	28	50	35	18	-	M8	1	0.89
	SK40AD/B-EMH10-50	P2531011	10	35	50	39	20	-	M10	1	0.95
	SK40AD/B-EMH12-50	P2531012	12	42	50	46	22.5	-	M12	1	1.03
	SK40AD/B-EMH16-63	P2531013	16	48	63	57	24	-	M14	1	1.28
	SK40AD/B-EMH20-63	P2531014	20	52	63	54	25	-	M16	1	1.28
	SK40AD/B-EMH25-100	P2531015	25	65	100	60	24	25	M18	2	2.28
	SK40AD/B-EMH32-100	P2531016	32	72	100	64	24	28	M20	2	2.50
50	SK50AD/B-EMH6-63	P2531017	6	25	63	35	18	-	M6	1	2.70
	SK50AD/B-EMH8-63	P2531018	8	28	63	35	18	-	M8	1	2.70
	SK50AD/B-EMH10-63	P2531019	10	35	63	39	20	-	M10	1	2.90
	SK50AD/B-EMH12-63	P2531020	12	42	63	44	22.5	-	M12	1	2.90
	SK50AD/B-EMH16-63	P2531021	16	48	63	47	24	-	M14	1	3.00
	SK50AD/B-EMH20-63	P2531022	20	52	63	51	25	-	M16	1	3.05
	SK50AD/B-EMH25-80	P2531023	25	65	80	60	24	25	M18	2	3.73
	SK50AD/B-EMH32-100	P2531024	32	72	100	64	24	28	M20	2	4.53
	SK50AD/B-EMH40-100	P2531025	40	80	100	74	30	32	M20	2	4.77
	SK50AD/B-EMH50-125	P2531026	50	100	125	84	35	35	M24	2	7.03

- ▶ CAT(ASME B5.50) taper and Inch type products are available.
- ▶ Standard End Mill Holder is for a cutting tool with Weldon shank and End Mill Holder for a cutting tool with Whistle notch is available upon request.
- ▶ Combi-style Holder with ball jointed clamping screw which can be used with cutting tools with Weldon and Whistle notch shank is available.

END MILL HOLDER (COOLANT CHANNEL)

FRÄSERFUTTER UND FLÄCHENSPIANNFUTTER
 MANDRIN PORTE FRAISE À QUEUE CYLINDRIQUE, À MÉPLAT
 MANDRINI PORTA FRESA TIPO WELDON
 PORTAFRESAS Y EJES DE SUJECCION LATERAL

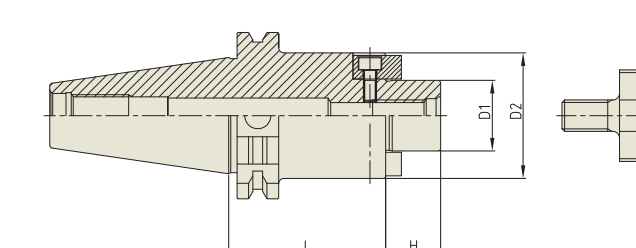


Unit : mm											
TAPER No.	MODEL No.	EDP No.	d1	D2	L	L1	L2	L3	M	FIG.	WEIGHT (Kg)
40	SK40AD/B-EMH6C-50	P2779001	6	25	50	35	18	-	M6	1	0.86
	SK40AD/B-EMH8C-50	P2779002	8	28	50	35	18	-	M8	1	0.89
	SK40AD/B-EMH10C-50	P2779003	10	35	50	39	20	-	M10	1	0.95
	SK40AD/B-EMH12C-50	P2779004	12	42	50	46	22.5	-	M12	1	1.03
	SK40AD/B-EMH14C-50	P2779005	14	44	50	48	22.5	-	M12	1	1.26
	SK40AD/B-EMH16C-63	P2779006	16	48	63	54	24	-	M14	1	1.28
	SK40AD/B-EMH18C-63	P2779007	18	50	63	54	24	-	M14	1	1.35
	SK40AD/B-EMH20C-63	P2779008	20	52	63	55	25	-	M16	1	1.28
	SK40AD/B-EMH25C-100	P2779009	25	65	100	59	24	25	M18	2	2.28
	SK40AD/B-EMH32C-100	P2779010	32	72	100	64	24	28	M20	2	2.50
50	SK50AD/B-EMH6C-63	P2779011	6	25	63	35	18	-	M6	1	2.70
	SK50AD/B-EMH8C-63	P2779012	8	28	63	35	18	-	M8	1	2.70
	SK50AD/B-EMH10C-63	P2779013	10	35	63	39	20	-	M10	1	2.90
	SK50AD/B-EMH12C-63	P2779014	12	42	63	46	22.5	-	M12	1	2.90
	SK50AD/B-EMH14C-63	P2779015	14	44	63	46	22.5	-	M12	1	2.90
	SK50AD/B-EMH16C-63	P2779016	16	48	63	46	24	-	M14	1	3.00
	SK50AD/B-EMH18C-63	P2779017	18	50	63	46	24	-	M14	1	3.00
	SK50AD/B-EMH20C-63	P2779018	20	52	63	56	25	-	M16	1	3.05
	SK50AD/B-EMH25C-80	P2779019	25	65	80	60	24	25	M18	2	3.73
	SK50AD/B-EMH32C-100	P2779020	32	72	100	64	24	28	M20	2	4.53
	SK50AD/B-EMH40C-120	P2779021	40	80	120	74	30	32	M20	2	4.77
	SK50AD/B-EMH50C-125	P2779022	50	100	125	84	35	35	M24	2	7.03

- ▶ CAT(ASME B5.50) taper and Inch type products are available.
- ▶ Standard End Mill Holder is for a cutting tool with Weldon shank and End Mill Holder for a cutting tool with Whistle notch is available upon request.
- ▶ Combi-style Holder with ball jointed clamping screw which can be used with cutting tools with Weldon and Whistle notch shank is available.

SHELL MILL ARBOR

AUFNAHMEDORN FÜR FRÄSER MIT BOHRUNG
 MANDRIN PORTE-FRAISES
 MANDRINO CON TRASCINAMENTO FISSO
 PORTA FRESAS

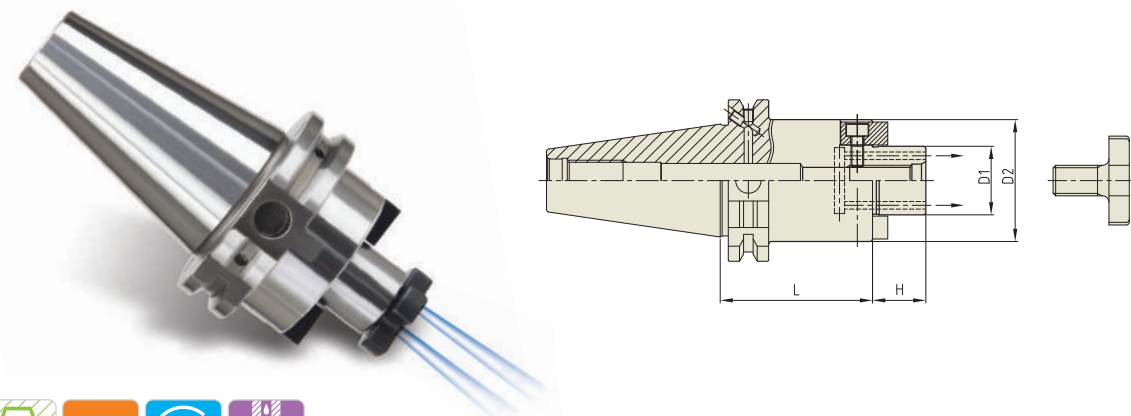


Unit : mm								
TAPER No.	MODEL No.	EDP No.	D1	D2	L	H	BOLT	WEIGHT (Kg)
30	SK30-SMA16-50	P2778901	16	32	50	17	M8x16L	0.85
	SK30-SMA22-50	P2778902	22	40	50	19	M10x18L	0.90
	SK30-SMA27-50	P2778903	27	48	50	21	M12x22L	1.03
40	SK40-SMA16-60	P2778904	16	32	60	17	M8x16L	0.35
	SK40-SMA16-120	P2778915	16	32	120	17	M8x16L	1.70
	SK40-SMA22-60	P2778905	22	40	60	19	M10x18L	1.45
	SK40-SMA22-120	P2778916	22	40	120	19	M10x18L	1.80
	SK40-SMA27-60	P2778906	27	48	60	21	M12x22L	1.70
	SK40-SMA27-120	P2778917	27	48	120	21	M12x22L	2.40
	SK40-SMA32-60	P2778907	32	58	60	24	M16x26L	1.80
	SK40-SMA32-120	P2778918	32	58	120	24	M16x26L	3.70
	SK40-SMA40-60	P2778908	40	70	60	27	M20x30L	3.10
	50	SK50-SMA16-75	P2778909	16	32	75	17	M8x16L
SK50-SMA16-120		P2778919	16	32	120	17	M8x16L	3.90
SK50-SMA22-75		P2778910	22	40	75	19	M10x18L	3.10
SK50-SMA22-120		P2778920	22	40	120	19	M10x18L	4.40
SK50-SMA27-75		P2778911	27	48	75	21	M12x22L	3.40
SK50-SMA27-120		P2778921	27	48	120	21	M12x22L	4.70
SK50-SMA32-75		P2778912	32	58	75	24	M16x26L	3.80
SK50-SMA32-120		P2778922	32	58	120	24	M16x26L	5.00
SK50-SMA40-75		P2778913	40	70	75	27	M20x30L	4.50
SK50-SMA40-120		P2778923	40	70	120	27	M20x30L	6.05
SK50-SMA50-75		P2778914	50	90	75	30	M24x36L	5.90

- ▶ CAT(ASME B5.50) taper and Inch type products are available.
- ▶ For parts, please refer to page D307.

SHELL MILL ARBOR (COOLANT CHANNEL & SMALL FACE)

AUFNAHMEDORN FÜR FRÄSER MIT BOHRUNG
MANDRIN PORTE-FRAISES
MANDRINO CON TRASCINAMENTO FISSO
PORTA FRESAS



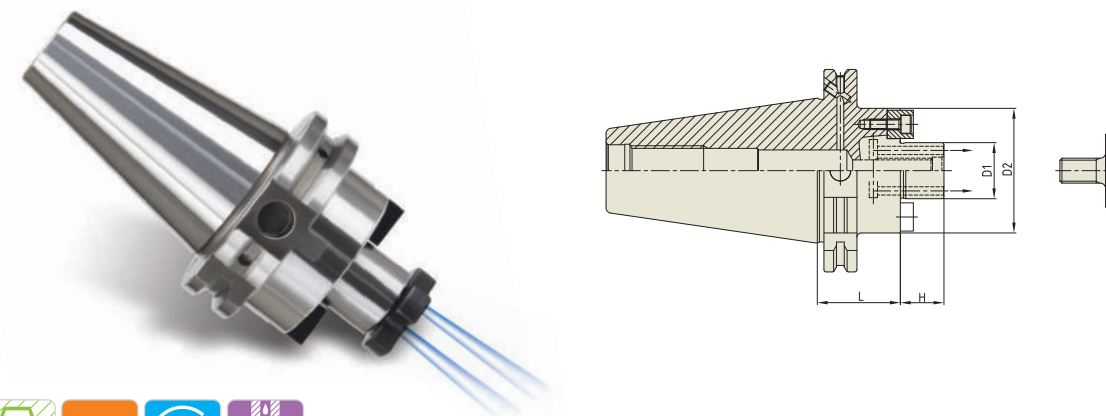
Unit : mm

TAPER No.	MODEL No.	EDP No.	D1	D2	L	H	BOLT	WEIGHT (Kg)
40	SK40AD/B-SMA16C-60	P2801004C	16	32	60	17	M8x16L	0.35
	SK40AD/B-SMA16C-120	P2801015C	16	32	120	17	M8x16L	0.70
	SK40AD/B-SMA22C-44	P2803003C	22	40	44	19	M10x18L	1.03
	SK40AD/B-SMA22C-100	P2803004C	22	40	100	19	M10x18L	1.60
	SK40AD/B-SMA22C-120	P2801016C	22	40	120	19	M10x18L	1.90
	SK40AD/B-SMA27C-44	P2803006C	27	48	44	21	M12x22L	1.16
	SK40AD/B-SMA27C-100	P2803007C	27	48	100	21	M12x22L	1.97
	SK40AD/B-SMA27C-120	P2801017C	27	48	120	21	M12x22L	2.23
	SK40AD/B-SMA32C-60	P2801007C	32	58	60	24	M16x26L	1.64
	SK40AD/B-SMA32C-120	P2801018C	32	58	120	24	M16x26L	2.00
	SK40AD/B-SMA40C-60	P2803011C	40	70	60	27	M20x30L	1.83
	SK40AD/B-SMA40C-120	P2803012C	40	70	120	27	M20x30L	2.10
50	SK50AD/B-SMA16C-75	P2801009C	16	32	75	17	M8x16L	2.20
	SK50AD/B-SMA16C-120	P2801019C	16	32	120	17	M8x16L	2.50
	SK50AD/B-SMA22C-44	P2803015C	22	40	44	19	M10x18L	2.84
	SK50AD/B-SMA22C-75	P2801010C	22	40	75	19	M10x18L	3.10
	SK50AD/B-SMA22C-100	P2803017C	22	40	100	19	M10x18L	3.37
	SK50AD/B-SMA22C-120	P2801020C	22	40	120	19	M10x18L	3.60
	SK50AD/B-SMA22C-160	P2803019C	22	40	160	19	M10x18L	3.93
	SK50AD/B-SMA27C-75	P2801011C	27	48	75	21	M12x22L	3.40
	SK50AD/B-SMA27C-100	P2803021C	27	48	100	21	M12x22L	3.74
	SK50AD/B-SMA27C-120	P2801021C	27	48	120	21	M12x22L	4.00
	SK50AD/B-SMA27C-160	P2803023C	27	48	160	21	M12x22L	4.42
	SK50AD/B-SMA32C-75	P2801012C	32	58	75	24	M16x26L	3.80
	SK50AD/B-SMA32C-100	P2803025C	32	58	100	24	M16x26L	4.28
	SK50AD/B-SMA32C-120	P2801022C	32	58	120	24	M16x26L	4.40
	SK50AD/B-SMA32C-160	P2803027C	32	58	160	24	M16x26L	5.45
	SK50AD/B-SMA40C-75	P2801013C	40	70	75	27	M20x30L	4.50
	SK50AD/B-SMA40C-100	P2803029C	40	70	100	27	M20x30L	5.11
	SK50AD/B-SMA40C-120	P2801023C	40	70	120	27	M20x30L	5.30
SK50AD/B-SMA40C-160	P2803031C	40	70	160	27	M20x30L	6.78	

- ▶ CAT(ASME B5.50) taper and Inch type products are available.
- ▶ With "Coolant Through" by coolant channels.
- ▶ For parts, please refer to page D311.

SHELL MILL ARBOR (COOLANT CHANNEL & LARGE FACE)

AUFNAHMEDORN FÜR FRÄSER MIT BOHRUNG
MANDRIN PORTE-FRAISES
MANDRINO CON TRASCINAMENTO FISSO
PORTA FRESAS



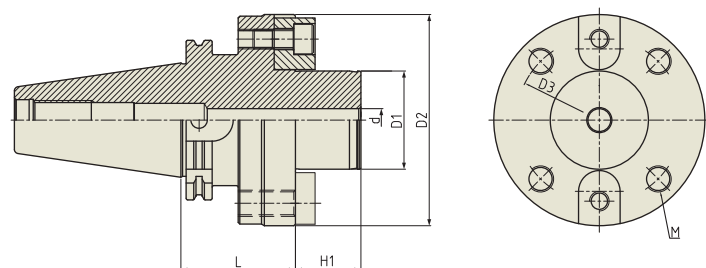
Unit : mm

TAPER No.	MODEL No.	EDP No.	D1	D2	L	H	BOLT	WEIGHT (Kg)
40	SK40AD/B-SMA16CE-35	P2803101CE	16	38	35	17	M8x16L	0.94
	SK40AD/B-SMA16CE-100	P2803102CE	16	38	100	17	M8x16L	1.50
	SK40AD/B-SMA22CE-35	P2803103CE	22	48	35	19	M10x18L	1.05
	SK40AD/B-SMA22CE-100	P2803104CE	22	48	100	19	M10x18L	1.95
	SK40AD/B-SMA27CE-45	P2803105CE	27	60	45	21	M12x22L	1.33
	SK40AD/B-SMA27CE-100	P2803106CE	27	60	100	21	M12x22L	2.59
	SK40AD/B-SMA32CE-50	P2803107CE	32	78	50	24	M16x26L	1.72
	SK40AD/B-SMA40CE-50	P2803108CE	40	89	50	27	M20x30L	1.99
	SK50AD/B-SMA16CE-100	P2803109CE	16	38	100	17	M8x16L	3.27
	SK50AD/B-SMA22CE-35	P2803110CE	22	48	35	19	M10x18L	2.83
	SK50AD/B-SMA22CE-100	P2803111CE	22	48	100	19	M10x18L	3.72
	SK50AD/B-SMA22CE-160	P2803112CE	22	48	160	19	M10x18L	4.54
50	SK50AD/B-SMA27CE-40	P2803113CE	27	60	40	21	M12x22L	3.09
	SK50AD/B-SMA27CE-100	P2803114CE	27	60	100	21	M12x22L	4.35
	SK50AD/B-SMA27CE-160	P2803115CE	27	60	160	21	M12x22L	5.62
	SK50AD/B-SMA32CE-50	P2803116CE	32	78	50	24	M16x26L	3.82
	SK50AD/B-SMA32CE-100	P2803117CE	32	78	100	24	M16x26L	5.64
	SK50AD/B-SMA32CE-160	P2803118CE	32	78	160	24	M16x26L	7.81
	SK50AD/B-SMA40CE-50	P2803119CE	40	89	50	27	M20x30L	4.27
	SK50AD/B-SMA40CE-100	P2803120CE	40	89	100	27	M20x30L	6.61
	SK50AD/B-SMA40CE-160	P2803121CE	40	89	160	27	M20x30L	9.43

- ▶ CAT(ASME B5.50) taper and Inch type products are available.
- ▶ With "Coolant Through" by coolant channels.
- ▶ For parts, please refer to page D311.

SHELL MILL ARBOR (FLANGE MOUNTING)

AUFNAHMEDORN FÜR FRÄSER MIT BOHRUNG
 MANDRIN PORTE-FRAISES
 MANDRINO CON TRASCINAMENTO FISSO
 PORTA FRESAS



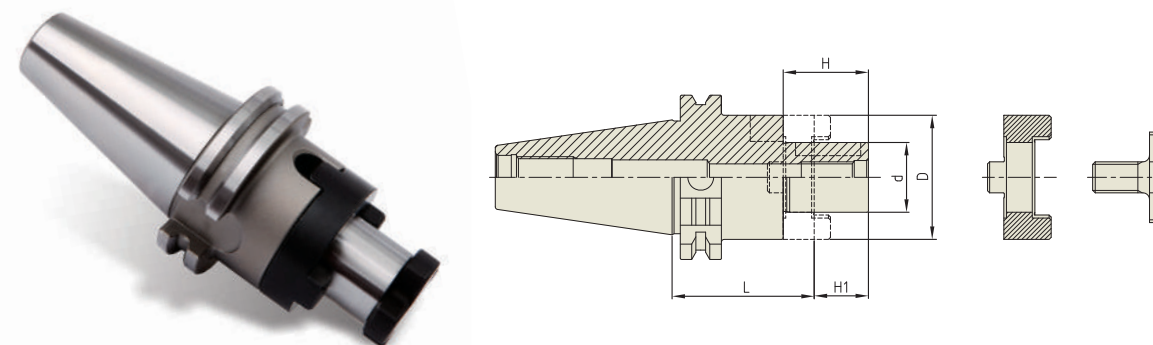
Unit : mm

TAPER No.	MODEL No.	EDP No.	d	D1	D2	D3	L	H1	M (TAP)	DRIVE KEY & BOLT	WEIGHT (Kg)
50	SK50-SMF40-70	P2524024	14	40	89	66.7	70	30	4-M12	15.9 x 16 x 21.5, M6-15L	-
	SK50-SMF60-70	P2800061	14	60	129	101.6	70	40	4-M16	25.4 x 25.4 x 31.5, M12-25L	-

▶ CAT(ASME B5.50) taper and Inch type products are available.

COMBI-SHELL MILL ARBOR

KOMBI-AUFNAHMEDORN FÜR FRÄSER MIT BOHRUNG
 MANDRIN PORTE-FRAISES COMBINÉS
 MANDRINO PORTA FRESE
 PORTA FRESAS COMBINADO



Unit : mm

TAPER No.	MODEL No.	EDP No.	d	L	D	H1	H	WEIGHT (Kg)
30	SK30-CMA16-50	P2524001	16	50	32	17	27	0.58
	SK30-CMA22-50	P2524002	22	50	40	19	31	0.71
	SK30-CMA27-55	P2524003	27	55	48	21	33	0.78
40	SK40-CMA16-55	P2524004	16	55	32	17	27	1.03
	SK40-CMA16-100	P2524015	16	100	32	17	27	1.27
	SK40-CMA22-55	P2524005	22	55	40	19	31	1.17
	SK40-CMA22-100	P2524016	22	100	40	19	31	1.59
	SK40-CMA27-55	P2524006	27	55	48	21	33	1.37
	SK40-CMA27-100	P2524017	27	100	48	21	33	1.94
	SK40-CMA32-60	P2524007	32	60	58	24	38	1.6
	SK40-CMA32-100	P2524018	32	100	58	24	38	2.40
50	SK40-CMA40-60	P2524008	40	60	70	27	41	2.31
	SK50-CMA16-55	P2524009	16	55	32	17	27	2.81
	SK50-CMA16-100	P2524019	16	100	32	17	27	3.07
	SK50-CMA22-55	P2524010	22	55	40	19	31	2.91
	SK50-CMA22-100	P2524020	22	100	40	19	31	3.38
	SK50-CMA27-55	P2524011	27	55	48	21	33	3.15
	SK50-CMA27-100	P2524021	27	100	48	21	33	3.76
	SK50-CMA32-55	P2524012	32	55	58	24	38	3.41
	SK50-CMA32-100	P2524022	32	100	58	24	38	4.23
	SK50-CMA40-55	P2524013	40	55	70	27	41	3.78
SK50-CMA40-100	P2524023	40	100	70	27	41	5.06	
	SK50-CMA50-70	P2524014	50	70	90	30	46	5.35

▶ CAT(ASME B5.50) taper and Inch type products are available.

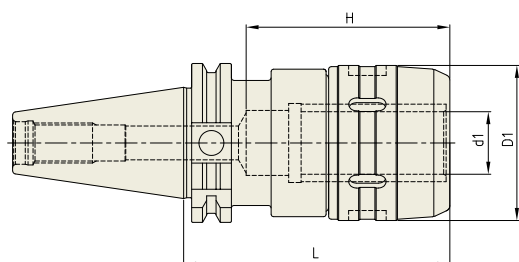
▶ For parts, please refer to page D312.

YG POWER MILLING CHUCK

C

HIGH-SPEED POWER MILLING CHUCK

HOCHGESCHWINDIGKEITS FRÄSERFUTTER
 MANDRIN PORTE FRAISE À GRANDE VITESSE
 MANDRINI PORTA FRESA PER ALTA VELOCITÀ
 PORTAHERRAMIENTAS PARA FRESADO DE ALTA VELOCIDAD



Unit : mm

TAPER No.	MODEL No.	EDP No.	d1	D1	L	H	WEIGHT (Kg)
30	SK30-C20-80HS	P2773005	20	54	80	70	1.15
	SK30-C25-80HS	P2773006	25	62	70	80	1.48
40	SK40-C20-105HS	P2526022	20	54	105	70	1.77
	SK40-C25-105HS	P2773001	25	62	105	80	2.10
	SK40-C32-105HS	P2526023	32	72	105	100	2.40
	SK40-C32-135HS	P2773007	32	72	135	100	3.10
50	SK50-C20-105HS	P2773002	20	54	105	70	3.40
	SK50-C25-105HS	P2773003	25	62	105	80	3.80
	SK50-C32-105HS	P2773004	32	72	105	100	4.30
	SK50-C32-135HS	P2526024	32	72	135	100	4.90
	SK50-C32-165HS	P2526025	32	72	165	100	5.60
	SK50-C42-115HS	P2773008	42	92	115	110	4.60
	SK50-C42-135HS	P2773009	42	92	135	110	5.60
	SK50-C42-165HS	P2773010	42	92	165	110	6.10

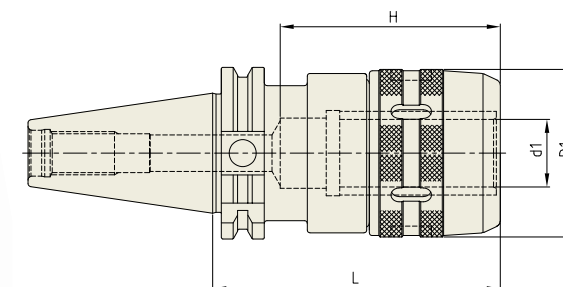
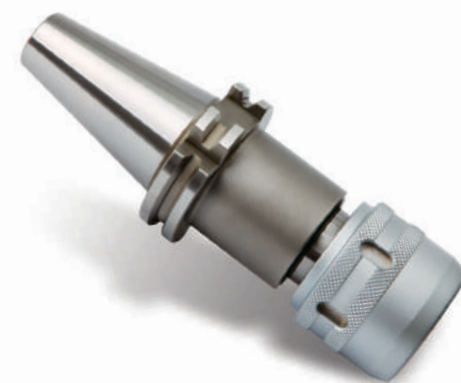
- ▶ CAT(ASME B5.50) taper and Inch type products are available.
- ▶ Balancing Grade is adjusted on Basic holder only without Clamping Cap.
- ▶ For applicable collet and spanner, please refer to page D314.

YG POWER MILLING CHUCK

C

POWER MILLING CHUCK

FRÄSERSPANNFUTTER
 MANDRIN PORTE FRAISE
 MANDRINI PORTA FRESA
 PORTAHERRAMIENTAS PARA FRESADO



Unit : mm

TAPER No.	MODEL No.	EDP No.	d1	D1	L	H	WEIGHT (Kg)
30	SK30-C20-80	P2526001	20	54	80	70	1.15
	SK30-C25-80	P2526002	25	62	80	80	1.48
40	SK40-C20-90	P2526003	20	54	90	70	1.60
	SK40-C20-105	P2526008	20	54	105	70	1.77
	SK40-C25-105	P2526009	25	62	105	80	2.01
	SK40-C32-90	P2526004	32	72	90	100	2.00
	SK40-C32-105	P2526010	32	72	105	100	2.42
	SK40-C32-135	P2526015	32	72	135	100	3.11
	SK50-C20-80	P2526005	20	54	80	70	3.22
50	SK50-C20-105	P2526011	20	54	105	70	3.39
	SK50-C25-90	P2526006	25	62	90	80	3.61
	SK50-C25-105	P2526012	25	62	105	80	3.78
	SK50-C32-90	P2526007	32	72	90	100	3.87
	SK50-C32-105	P2526013	32	72	105	100	4.31
	SK50-C32-135	P2526018	32	72	135	100	4.94
	SK50-C32-165	P2526020	32	72	165	100	5.59
	SK50-C42-115	P2526014	42	92	115	110	4.53
	SK50-C42-135	P2526017	42	92	135	110	5.62
	SK50-C42-165	P2526016	42	92	165	110	6.10

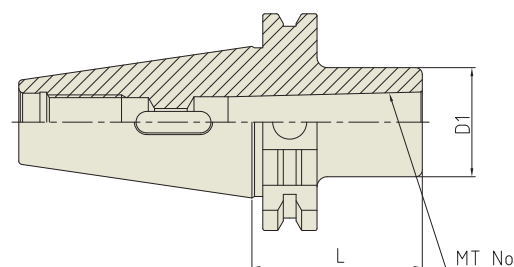
- ▶ CAT(ASME B5.50) taper and Inch type products are available.
- ▶ For applicable collet and spanner, please refer to the page D314.

YIG MORSE TAPER ARBOR

MTA

MORSE TAPER ARBOR

EINSATZHÜLSEN FÜR MORSEKEGEL
DOUILLES DE RÉDUCTION CÔNE MORSE
MANDRINO RIDUZIONE CONO MORSE
REDUCTORES A MORSE



Unit : mm						
TAPER No.	MODEL No.	EDP No.	MT No.	D1	L	WEIGHT (Kg)
30	SK30-MTA1-50	P2522001	1	25	50	0.72
	SK30-MTA2-60	P2522002	2	32	60	0.87
	SK30-MTA3-80	P2522003	3	40	80	1.02
40	SK40-MTA1-50	P2522004	1	25	50	1.49
	SK40-MTA2-50	P2522005	2	32	50	1.62
	SK40-MTA3-70	P2522006	3	40	70	1.65
	SK40-MTA4-95	P2522007	4	48	95	1.90
50	SK50-MTA1-45	P2522008	1	25	45	2.60
	SK50-MTA2-60	P2522009	2	32	60	2.66
	SK50-MTA3-65	P2522010	3	40	65	2.75
	SK50-MTA4-95	P2522011	4	48	95	3.00
	SK50-MTA5-105	P2522012	5	63	105	3.30

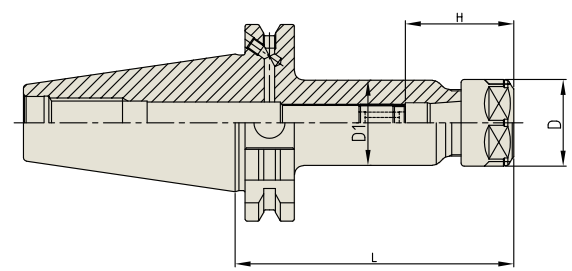
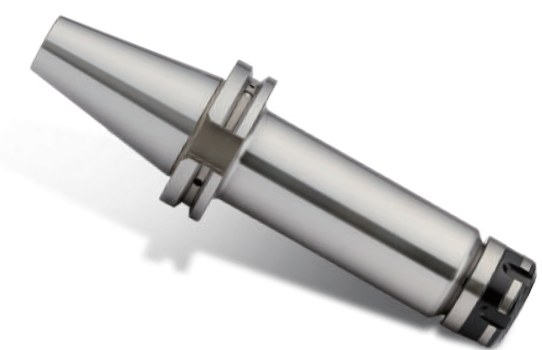
▶ CAT(ASME B5.50) taper and Inch type products are available.

YIG SK SLIM CHUCK

SKA

SK SLIM CHUCK

SK SCHLANKE FUTTER
MANDRIN TYPE SK MINCE
SK MANDRINI SOTTILI
PORTAHERRAMIENTAS SK EJE REDUCIDO



Unit : mm									
TAPER No.	MODEL No.	EDP No.	CLAMPING RANGE	L	D	D1	H	COLLET	WEIGHT (Kg)
40	SK40AD/B-SKA06-60	P2802901	1.8 - 6.0	60	20	19.5	31	SKC6	-
	SK40AD/B-SKA06-90	P2802902	1.8 - 6.0	90	20	19.5	31	SKC6	-
	SK40AD/B-SKA06-120	P2802903	1.8 - 6.0	120	20	19.5	31	SKC6	-
	SK40AD/B-SKA06-150	P2802904	1.8 - 6.0	150	20	19.5	31	SKC6	-
	SK40AD/B-SKA10-90	P2802905	1.8 - 10.0	90	28	27.5	35	SKC10	-
	SK40AD/B-SKA10-120	P2802906	1.8 - 10.0	120	28	27.5	35	SKC10	-
	SK40AD/B-SKA10-150	P2802907	1.8 - 10.0	150	28	27.5	35	SKC10	-
	SK40AD/B-SKA13-90	P2802908	2.75 - 13.0	90	33	33	43.6	SKC13	-
	SK40AD/B-SKA13-120	P2802909	2.75 - 13.0	120	33	33	43.6	SKC13	-
	SK40AD/B-SKA13-150	P2802910	2.75 - 13.0	150	33	33	43.6	SKC13	-
	SK40AD/B-SKA16-90	P2802911	2.75 - 16.0	90	40	40	52	SKC16	-
	SK40AD/B-SKA16-120	P2802912	2.75 - 16.0	120	40	40	52	SKC16	-
	SK40AD/B-SKA16-150	P2802913	2.75 - 16.0	150	40	40	52	SKC16	-
	SK40AD/B-SKA20-90	P2802914	3.5 - 20.0	90	48.5	48.5	59.6	SKC20	-
	SK40AD/B-SKA20-120	P2802915	3.5 - 20.0	120	48.5	48.5	59.6	SKC20	-
SK40AD/B-SKA20-150	P2802916	3.5 - 20.0	150	48.5	48.5	59.6	SKC20	-	
SK40AD/B-SKA25-90	P2802917	16.0 - 25.4	90	55	55	63.4	SKC25	-	
SK40AD/B-SKA25-120	P2802918	16.0 - 25.4	120	55	55	63.4	SKC25	-	
SK40AD/B-SKA25-150	P2802919	16.0 - 25.4	150	55	55	63.4	SKC25	-	

▶ CAT(ASME B5.50) taper products are available.
▶ Balancing grade G2.5 at 25,000RPM or U max. < 1gmm.
▶ For applicable Collet, Nut and Spanner, please refer to page D315~D317.

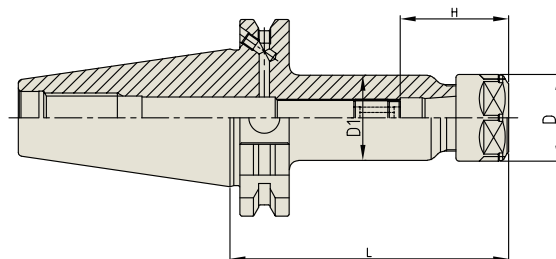
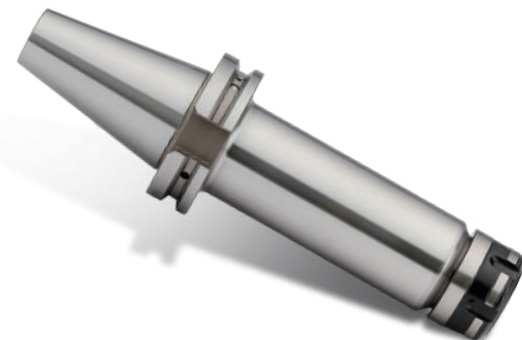
▶ NEXT PAGE



SKA

SK SLIM CHUCK

SK SCHLANKE FUTTER
MANDRIN TYPE SK MINCE
SK MANDRINI SOTTILI
PORTAHERRAMIENTAS SK EJE REDUCIDO



Unit : mm

TAPER No.	MODEL No.	EDP No.	CLAMPING RANGE	L	D	D1	H	COLLET	WEIGHT (Kg)
50	SK50AD/B-SKA06-105	P2802920	1.8 - 6.0	105	20	19.5	31	SKC6	-
	SK50AD/B-SKA06-135	P2802921	1.8 - 6.0	135	20	19.5	31	SKC6	-
	SK50AD/B-SKA06-165	P2802922	1.8 - 6.0	165	20	19.5	31	SKC6	-
	SK50AD/B-SKA06-195	P2802923	1.8 - 6.0	195	20	19.5	31	SKC6	-
	SK50AD/B-SKA10-105	P2802924	1.75 - 10.0	105	28	27.5	35	SKC10	-
	SK50AD/B-SKA10-135	P2802925	1.75 - 10.0	135	28	27.5	35	SKC10	-
	SK50AD/B-SKA10-165	P2802926	1.75 - 10.0	165	28	27.5	35	SKC10	-
	SK50AD/B-SKA10-195	P2802927	1.75 - 10.0	195	28	27.5	35	SKC10	-
	SK50AD/B-SKA13-105	P2802928	2.75 - 13.0	105	33	33	43.6	SKC13	-
	SK50AD/B-SKA13-135	P2802929	2.75 - 13.0	135	33	33	43.6	SKC13	-
	SK50AD/B-SKA13-165	P2802930	2.75 - 13.0	165	33	33	43.6	SKC13	-
	SK50AD/B-SKA13-195	P2802931	2.75 - 13.0	195	33	33	43.6	SKC13	-
	SK50AD/B-SKA16-105	P2802932	2.75 - 13.0	105	40	40	52	SKC16	-
	SK50AD/B-SKA16-135	P2802933	2.75 - 13.0	135	40	40	52	SKC16	-
	SK50AD/B-SKA16-165	P2802934	2.75 - 13.0	165	40	40	52	SKC16	-
	SK50AD/B-SKA16-195	P2802935	2.75 - 13.0	195	40	40	52	SKC16	-
	SK50AD/B-SKA20-105	P2802936	3.5 - 20.0	105	48.5	48.5	59.6	SKC20	-
	SK50AD/B-SKA20-135	P2802937	3.5 - 20.0	135	48.5	48.5	59.6	SKC20	-
	SK50AD/B-SKA20-165	P2802938	3.5 - 20.0	165	48.5	48.5	59.6	SKC20	-
	SK50AD/B-SKA20-195	P2802939	3.5 - 20.0	195	48.5	48.5	59.6	SKC20	-
SK50AD/B-SKA25-105	P2802940	16.0 - 25.4	105	55	55	63.4	SKC25	-	
SK50AD/B-SKA25-135	P2802941	16.0 - 25.4	135	55	55	63.4	SKC25	-	
SK50AD/B-SKA25-165	P2802942	16.0 - 25.4	165	55	55	63.4	SKC25	-	
SK50AD/B-SKA25-195	P2802943	16.0 - 25.4	195	55	55	63.4	SKC25	-	

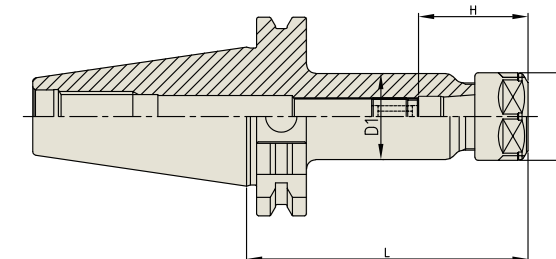
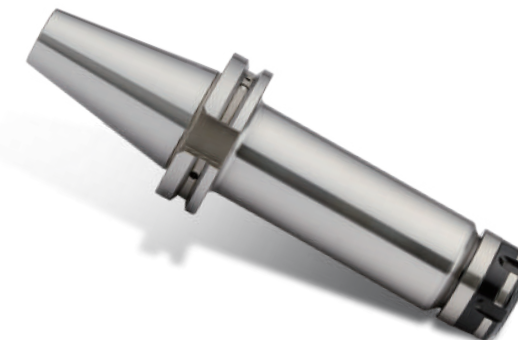
- ▶ CAT(ASME B5.50) taper products are available.
- ▶ Balancing grade G2.5 at 25,000RPM or U max. < 1gmm.
- ▶ For applicable Collet, Nut and Spanner, please refer to page D315~D317.



SKA

SK SLIM CHUCK

SK SCHLANKE FUTTER
MANDRIN TYPE SK MINCE
SK MANDRINI SOTTILI
PORTAHERRAMIENTAS SK EJE REDUCIDO



Unit : mm

TAPER No.	MODEL No.	EDP No.	CLAMPING RANGE	L	D	D1	H	COLLET	WEIGHT (Kg)	
30	SK30-SKA06-60	P2802801	1.8 - 6.0	60	20	19.5	31	SKC6	-	
	SK30-SKA06-90	P2802802	1.8 - 6.0	90	20	19.5	31	SKC6	-	
	SK30-SKA10-60	P2802803	1.75 - 10.0	60	28	27.5	35	SKC10	-	
	SK30-SKA10-90	P2802804	1.75 - 10.0	90	28	27.5	35	SKC10	-	
	SK30-SKA13-60	P2802805	2.75 - 13.0	60	33	33	43.6	SKC13	-	
	SK30-SKA13-90	P2802806	2.75 - 13.0	90	33	33	43.6	SKC13	-	
	SK30-SKA16-60	P2802807	2.75 - 16.0	60	40	40	52	SKC16	-	
	SK30-SKA16-90	P2802808	2.75 - 16.0	90	40	40	52	SKC16	-	
	SK30-SKA20-60	P2802809	3.5 - 20.0	60	48.5	48.5	59.6	SKC20	-	
	SK30-SKA20-90	P2802810	3.5 - 20.0	90	48.5	48.5	59.6	SKC20	-	
	SK30-SKA25-90	P2802811	16.0 - 25.4	90	55	55	63.4	SKC25	-	
	40	SK40-SKA06-90	P2802812	1.8 - 6.0	90	20	19.5	31	SKC6	-
		SK40-SKA06-120	P2802813	1.8 - 6.0	120	20	19.5	31	SKC6	-
		SK40-SKA06-150	P2802814	1.8 - 6.0	150	20	19.5	31	SKC6	-
SK40-SKA10-90		P2802815	1.75 - 10.0	90	28	27.5	35	SKC10	-	
SK40-SKA10-120		P2802816	1.75 - 10.0	120	28	27.5	35	SKC10	-	
SK40-SKA10-150		P2802817	1.75 - 10.0	150	28	27.5	35	SKC10	-	
SK40-SKA13-90		P2802818	2.75 - 13.0	90	33	33	43.6	SKC13	-	
SK40-SKA13-120		P2802819	2.75 - 13.0	120	33	33	43.6	SKC13	-	
SK40-SKA13-150		P2802820	2.75 - 13.0	150	33	33	43.6	SKC13	-	
SK40-SKA16-90		P2802821	2.75 - 16.0	90	40	40	52	SKC16	-	
SK40-SKA16-120		P2802822	2.75 - 16.0	120	40	40	52	SKC16	-	
SK40-SKA16-150		P2802823	2.75 - 16.0	150	40	40	52	SKC16	-	
SK40-SKA20-90		P2802824	3.5 - 20.0	90	48.5	48.5	59.6	SKC20	-	
SK40-SKA20-120		P2802825	3.5 - 20.0	120	48.5	48.5	59.6	SKC20	-	
SK40-SKA20-150	P2802826	3.5 - 20.0	150	48.5	48.5	59.6	SKC20	-		
SK40-SKA25-90	P2802827	16.0 - 25.4	90	55	55	63.4	SKC25	-		
SK40-SKA25-120	P2802828	16.0 - 25.4	120	55	55	63.4	SKC25	-		
SK40-SKA25-150	P2802829	16.0 - 25.4	150	55	55	63.4	SKC25	-		

- ▶ CAT(ASME B5.50) taper products are available.
- ▶ For applicable Collet, Nut and Spanner, please refer to page D315~D317.

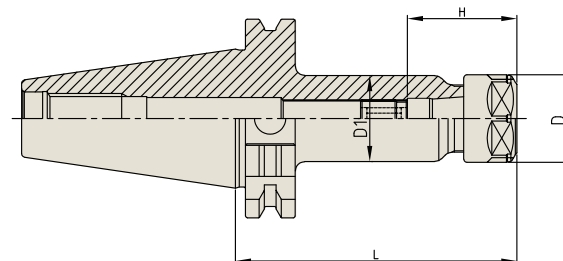
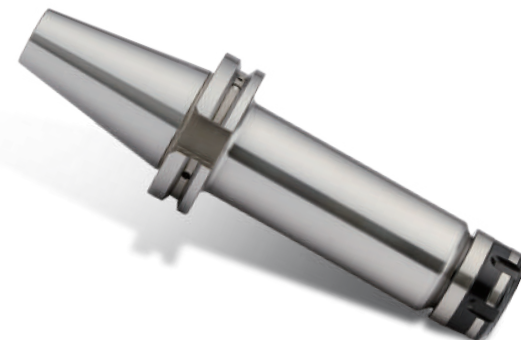
▶ NEXT PAGE



SKA

SK SLIM CHUCK

SK SCHLANKE FUTTER
MANDRIN TYPE SK MINCE
SK MANDRINI SOTTILI
PORTAHERRAMIENTAS SK EJE REDUCIDO



Unit : mm									
TAPER No.	MODEL No.	EDP No.	CLAMPING RANGE	L	D	D1	H	COLLET	WEIGHT (Kg)
50	SK50-SKA06-105	P2802830	1.8 - 6.0	105	20	19.5	31	SKC6	-
	SK50-SKA06-135	P2802831	1.8 - 6.0	135	20	19.5	31	SKC6	-
	SK50-SKA06-165	P2802832	1.8 - 6.0	165	20	19.5	31	SKC6	-
	SK50-SKA06-195	P2802833	1.8 - 6.0	195	20	19.5	31	SKC6	-
	SK50-SKA10-105	P2802834	1.75 - 10.0	105	28	27.5	35	SKC10	-
	SK50-SKA10-135	P2802835	1.75 - 10.0	135	28	27.5	35	SKC10	-
	SK50-SKA10-165	P2802836	1.75 - 10.0	165	28	27.5	35	SKC10	-
	SK50-SKA10-195	P2802837	1.75 - 10.0	195	28	27.5	35	SKC10	-
	SK50-SKA13-105	P2802838	2.75 - 13.0	105	33	33	43.6	SKC13	-
	SK50-SKA13-135	P2802839	2.75 - 13.0	135	33	33	43.6	SKC13	-
	SK50-SKA13-165	P2802840	2.75 - 13.0	165	33	33	43.6	SKC13	-
	SK50-SKA13-195	P2802841	2.75 - 13.0	195	33	33	43.6	SKC13	-
	SK50-SKA16-105	P2802842	2.75 - 16.0	105	40	40	52	SKC16	-
	SK50-SKA16-135	P2802843	2.75 - 16.0	135	40	40	52	SKC16	-
	SK50-SKA16-165	P2802844	2.75 - 16.0	165	40	40	52	SKC16	-
	SK50-SKA16-195	P2802845	2.75 - 16.0	195	40	40	52	SKC16	-
	SK50-SKA20-105	P2802846	3.5 - 20.0	105	48.5	48.5	59.6	SKC20	-
	SK50-SKA20-135	P2802847	3.5 - 20.0	135	48.5	48.5	59.6	SKC20	-
	SK50-SKA20-165	P2802848	3.5 - 20.0	165	48.5	48.5	59.6	SKC20	-
	SK50-SKA20-195	P2802849	3.5 - 20.0	195	48.5	48.5	59.6	SKC20	-
SK50-SKA25-105	P2802850	16.0 - 25.4	105	55	55	63.4	SKC25	-	
SK50-SKA25-135	P2802851	16.0 - 25.4	135	55	55	63.4	SKC25	-	
SK50-SKA25-165	P2802852	16.0 - 25.4	165	55	55	63.4	SKC25	-	
SK50-SKA25-195	P2802853	16.0 - 25.4	195	55	55	63.4	SKC25	-	

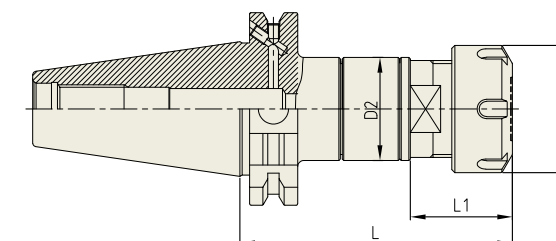
► CAT(ASME B5.50) taper products are available.
► For applicable Collet, Nut and Spanner, please refer to page D315~D317.



SYTER

SYNCHRO TAPPING CHUCK (ER TYPE)

SK SCHLANKE FUTTER
MANDRIN TYPE SK MINCE
SK MANDRINI SOTTILI
PORTAHERRAMIENTAS SK EJE REDUCIDO



Unit : mm										
TAPER No.	MODEL No.	EDP No.	TAP SIZE	NUT/ COLLET	D1	D2	L	L1	TENSION/ COMPRESSION	WEIGHT (Kg)
40	SK40AD/B-SYTER12-79	P2773701	M3-M12	ER16	28	34	79	26	±0.2	1.00
	SK40AD/B-SYTER16-85	P2773702	M3-M16	ER20	34	34	85	27	±0.2	1.08
	SK40AD/B-SYTER20-90	P2773703	M3-M20	ER25	42	34	90	34	±0.2	1.08
	SK40AD/B-SYTER27-100	P2773704	M4-M27	ER32	50	45	100	31	±0.2	1.37
	SK40AD/B-SYTER33-120	P2773705	M4-M33	ER40	63	62	120	35	±0.2	2.16
50	SK50AD/B-SYTER12-79	P2773706	M3-M12	ER16	28	34	79	24	±0.2	2.83
	SK50AD/B-SYTER16-85	P2773707	M3-M16	ER20	34	34	85	27	±0.2	2.86
	SK50AD/B-SYTER20-90	P2773708	M3-M20	ER25	42	34	90	34	±0.2	2.87
	SK50AD/B-SYTER27-100	P2773709	M4-M27	ER32	50	45	100	31	±0.2	3.04
	SK50AD/B-SYTER33-105	P2773710	M4-M33	ER40	63	62	105	35	±0.2	3.93

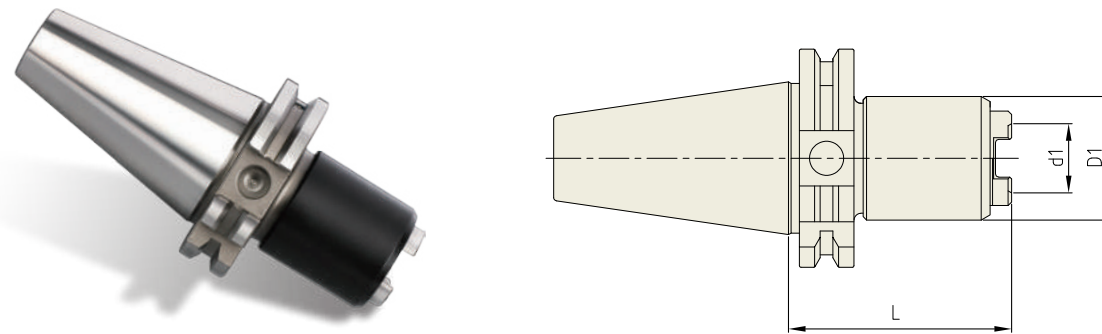
► Feature :
- Compensation for synchronization errors to extend tap life and to improve thread quality.
- To compensate for pitch tolerances of taps.
- For machine with synchronized spindle.
► CAT(ASME B5.50) taper and Inch type products are available.
► ER collet of page D296~D302, and Tap ER collet of page D303~D304 are applicable.

SYNCHRO TAPPING CHUCK

SYTC

SYNCHRO TAPPING CHUCK (QUICK CHANGE TYPE)

SYNCHRO GEWINDESCHNEID-SCHNELLWECHSELFUTTER
 SYNCHRO TARAUDER À CHANGEMENT RAPIDE
 SINCRIO MANDRINO PER MASCHIARE
 SINCRIO PORTAMACHOS DE CAMBIO RAPIDO



Unit : mm

TAPER No.	MODEL No.	EDP No.	TAP SIZE	TAP ADAPTOR	d1	D1	L	WEIGHT (Kg)
30	SK30-SYTC12-65	P2774207	M3-M12	TCS12	19	36	65	0.50
	SK30-SYTC20-89	P2774208	M6-M24	TCS24	31	50	89	1.00
40	SK40-SYTC12-65	P2774201	M3-M12	TCS12	19	36	65	1.10
	SK40-SYTC20-79	P2774202	M6-M24	TCS24	31	50	79	1.50
	SK40-SYTC33-115	P2774203	M18-M38	TCS38	48	74	115	3.30
50	SK50-SYTC12-65	P2774204	M3-M12	TCS12	19	36	65	3.00
	SK50-SYTC20-79	P2774205	M6-M24	TCS24	31	50	79	3.30
	SK50-SYTC33-115	P2774206	M18-M38	TCS38	48	74	115	5.20

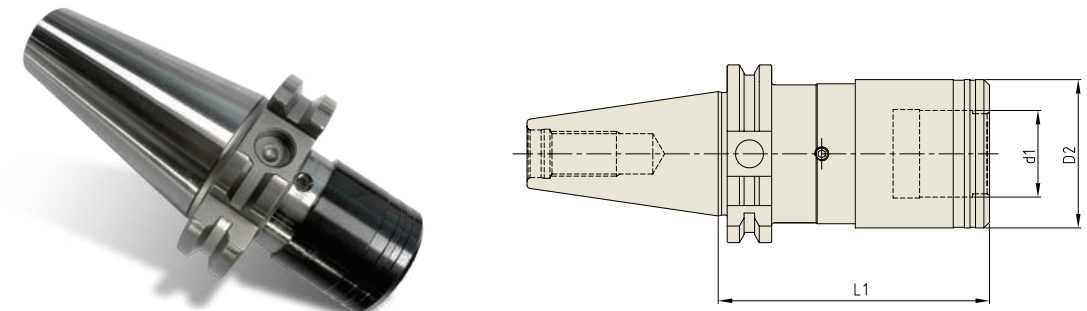
- Feature :
 - Compensation for synchronization errors to extend tap life and to improve thread quality.
 - To compensate for pitch tolerances of taps.
 - For machine with synchronized spindle.
- CAT(ASME B5.50) taper and Inch type products are available.
- For applicable Tap Adaptor, please refer to the page D318~D319.

ONE STEP TAPPING CHUCK

OTC

ONE STEP TAPPING CHUCK

GEWINDE-SCHNELLWECHSELFUTTER
 MANDRIN DE TARAUDAGE À CHANGEMENT RAPIDE
 PORTAMASCHI A CAMBIO RAPIDO
 MANDRINO DE CAMBIO RÁPIDO CON ROSCA



Unit : mm

TAPER No.	MODEL No.	EDP No.	d1	D2	L1	LENGTH COMPENSATION		WEIGHT (Kg)
						Compression	Tension	
40	SK40-OTC-M3-M12-59.5	P2802351	19	36	59	7.5	7.5	1.10
	SK40-OTC-M8-M20-97	P2802352	31	53	97	12.5	12.5	1.50
	SK40-OTC-M14-M36-149	P2802353	48	78	149	20	20	3.30
50	SK50-OTC-M3-M12-59	P2802354	19	36	59	7.5	7.5	3.00
	SK50-OTC-M8-M20-83	P2802355	31	53	83	12.5	12.5	3.30
	SK50-OTC-M14-M36-138	P2802356	48	78	138	20	20	5.20

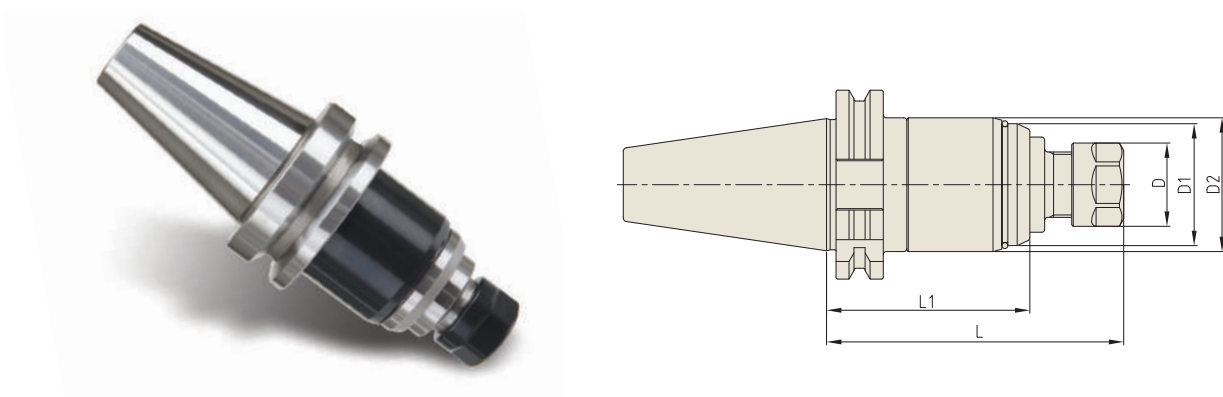
- CAT(ASME B5.50) taper and Inch type products are available.
- For applicable Tap Adaptor, please refer to the page D318~D319.

YIG TAPPING ER CHUCK

TER

TAPPING ER CHUCK

ER - GEWINDESCHNEIDFUTTER
 MANDRIN DE TARAUDAGE PINCE ER
 MANDRINI PORTAPINZA ER PER MASCHIATURA
 PORTAPINZAS ER PARA MACHOS



Unit : mm

TAPER No.	MODEL No.	EDP No.	D	D1	D2	L	L1	NUT / COLLET	WEIGHT (Kg)
40	SK40-TER16-100	P2774001	28	41	45	100	68.4	ER16	1.65
	SK40-TER16-150	P2774002	28	41	45	150	118.4	ER16	1.85
	SK40-TER32-130	P2774003	50	58	63	130	92	ER32	2.10
50	SK40-TER32-150	P2774004	50	58	63	150	112	ER32	2.30
	SK50-TER16-115	P2774005	28	41	45	115	79.4	ER16	4.30
	SK50-TER16-150	P2774006	28	41	45	150	114.4	ER16	4.50
	SK50-TER32-120	P2774007	50	58	63	120	83	ER32	4.65
	SK50-TER32-150	P2774008	50	58	63	150	113	ER32	4.85

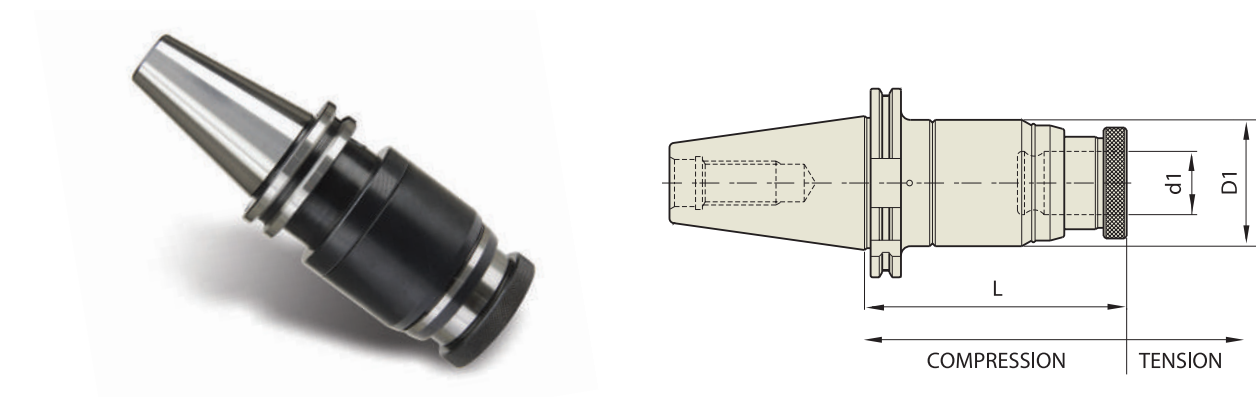
▶ CAT(ASME B5.50) taper and Inch type products are available.
 ▶ ER collet of page D296~D302, and Tap ER collet of page D303~D304 are applicable.

YIG TAPPING CHUCK

TC

TAPPING CHUCK

GEWINDESCHNEID - SCHNELLWECHSELFUTTER
 TARAUDER À CHANGEMENT RAPIDE
 MANDRINO PER MASCHIARE
 PORTAMACHOS DE CAMBIO RAPIDO



Unit : mm

TAPER No.	MODEL No.	EDP No.	TAP SIZE	TAP ADAPTOR	LENGTH COMPENSATION		d1	D1	L	WEIGHT (Kg)
					Compression	Tension				
40	SK40-TC12-90	P2520001	M3-M12	TCS12	5	15	19	45	90	1.30
	SK40-TC12-130	P2520006	M3-M12	TCS12	5	15	19	45	130	1.80
	SK40-TC24-120	P2520002	M6-M24	TCS24	5	20	31	63	120	2.50
	SK40-TC24-142	P2520007	M6-M24	TCS24	5	20	31	63	142	2.80
50	SK50-TC12-130	P2520003	M3-M12	TCS12	5	15	19	45	130	4.30
	SK50-TC12-175	P2520008	M3-M12	TCS12	5	15	19	45	175	5.50
	SK50-TC24-142	P2520004	M6-M24	TCS24	5	20	31	63	142	5.30
	SK50-TC24-187	P2520009	M6-M24	TCS24	5	20	31	63	187	7.80
	SK50-TC38-175	P2520005	M18-M38	TCS38	10	25	48	98	175	7.50

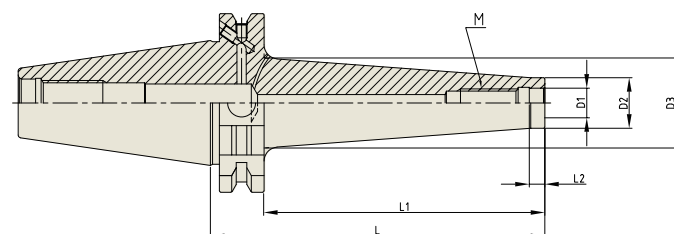
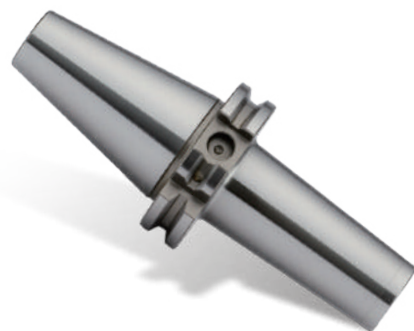
▶ CAT(ASME B5.50) taper and Inch type products are available.
 ▶ For applicable Tap Adaptor, please refer to page D318~D319.

YIG COPY MILL ARBOR

M

COPY MILL ARBOR

WERKZEUGAUFNAHME FÜR EINSCHRAUBFRÄSER MIT GEWINDE
 MANDRIN POUR FRAISES À QUEUE FILETÉE AVEC FILETAGE
 MANDRINO PER FRESE MODULARI FILETTATE
 PORTAHERRAMIENTAS PARA FRESAS DE ENROSCAR CON ROSCA



Unit : mm									
TAPER No.	MODEL No. (M-L1)	EDP No.	D1	D2	D3	L	L1	L2	WEIGHT (Kg)
40	SK40AD/B-M6-25	P2801701	6.5	10	13	44	25	5	0.80
	SK40AD/B-M8-25	P2801702	8.5	13	15	44	25	5	0.80
	SK40AD/B-M8-50	P2801703	8.5	13	23	69	50	5	0.86
	SK40AD/B-M8-75	P2801704	8.5	13	23	94	75	5	0.90
	SK40AD/B-M8-100	P2801705	8.5	13	25	119	100	5	0.97
	SK40AD/B-M10-5	P2801706	10.5	18	18	24	5	5	0.77
	SK40AD/B-M10-25	P2801707	10.5	18	20	44	25	5	0.79
	SK40AD/B-M10-50	P2801708	10.5	18	23	69	50	5	0.85
	SK40AD/B-M10-75	P2801709	10.5	18	28	94	75	5	0.87
	SK40AD/B-M10-100	P2801710	10.5	18	32	119	100	5	1.12
	SK40AD/B-M10-150	P2801711	10.5	18	36.5	169	150	5	1.38
	SK40AD/B-M12-5	P2801712	12.5	21	21	24	5	5	0.77
	SK40AD/B-M12-25	P2801713	12.5	21	24	44	25	5	0.82
	SK40AD/B-M12-50	P2801714	12.5	21	24	69	50	5	0.85
	SK40AD/B-M12-75	P2801715	12.5	21	31	94	75	5	1.02
	SK40AD/B-M12-100	P2801716	12.5	21	33	119	100	5	1.09
	SK40AD/B-M12-150	P2801717	12.5	21	40	169	150	5	1.53
	SK40AD/B-M16-5	P2801718	17	29	29	24	5	5	0.77
	SK40AD/B-M16-25	P2801719	17	29	29	44	25	5	0.85
	SK40AD/B-M16-50	P2801720	17	29	34	69	50	5	1.00
SK40AD/B-M16-75	P2801721	17	29	34	94	75	5	0.99	
SK40AD/B-M16-100	P2801722	17	29	36	119	100	5	1.34	
SK40AD/B-M16-150	P2801723	17	29	42.5	169	150	5	1.84	
50	SK50AD/B-M8-50	P2801724	8.5	13	23	69	50	5	2.69
	SK50AD/B-M10-50	P2801725	10.5	18	23	69	50	5	2.71
	SK50AD/B-M10-100	P2801726	10.5	18	32	119	100	10	2.88
	SK50AD/B-M10-150	P2801727	10.5	18	36.5	169	150	10	3.17
	SK50AD/B-M12-50	P2801728	12.5	21	24	69	50	5	2.67
	SK50AD/B-M12-100	P2801729	12.5	21	33	119	100	10	2.93
	SK50AD/B-M12-150	P2801730	12.5	21	40	169	150	10	3.33
	SK50AD/B-M16-50	P2801731	17	29	34	69	50	5	2.79
	SK50AD/B-M16-100	P2801732	17	29	36	119	100	10	3.00
	SK50AD/B-M16-150	P2801733	17	29	42.5	169	150	10	3.60

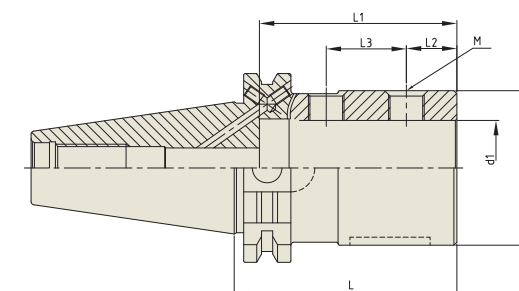
► Balancing grade G2.5 at 25,000RPM or U max. < 1gmm.
 ► For the screw-in milling cutters with thread.

YIG INDEXABLE DRILL HOLDER

SL

INDEXABLE DRILL HOLDER

WERKZEUGHALTER FÜR VOLLBOHRER
 MANDRIN POUR FORETS À PLAQUETTES
 MANDRINO PER PUNTE A INSERTI
 SOPORTE PARA HERRAMIENTAS PARA BROCAS DE ACERO MACIZO



Unit : mm										
TAPER No.	MODEL No.	EDP No.	d1	D1	L	L1	L2	L3	M	WEIGHT (Kg)
40	SK40AD/B-SL20-65	P2802001	20	40	65	56	15	20	M10	1.07
	SK40AD/B-SL25-70	P2802002	25	45	70	61.5	17	23	M12	1.15
	SK40AD/B-SL32-75	P2802003	32	52	75	66.5	17	27	M12	1.27
	SK40AD/B-SL40-115	P2802004	40	60	115	73	22	28	M16	2.10
50	SK50AD/B-SL20-70	P2802005	20	40	70	54	15	20	M10	3.00
	SK50AD/B-SL25-70	P2802006	25	45	70	64	17	23	M12	3.04
	SK50AD/B-SL32-75	P2802007	32	52	75	68	17	27	M12	3.14
	SK50AD/B-SL40-80	P2802008	40	60	80	77	22	28	M16	3.26

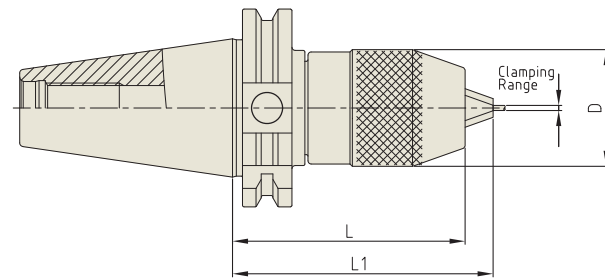
► CAT(ASME B5.50) taper and Inch type products are available.
 ► For the indexable drills with parallel shank.

YG NC DRILL CHUCK

NPU

NC DRILL CHUCK (KEYLESS TYPE)

NC - BOHRFUTTER
MANDRIN DE PERÇAGE NC
NC MANDRINI PORTA PUNTE
PORTABROCAS PARA BROCAS NC



Unit : mm

TAPER No.	MODEL No.	EDP No.	CLAMPING RANGE	D	L (Min.)	L1 (Max.)	WEIGHT (Kg)
40	SK40-NPU8-80	P2802201	0.3 - 8.0	36.5	80	85.7	-
	SK40-NPU8-110	P2802202	0.3 - 8.0	36.5	110	115.7	-
	SK40-NPU8-150	P2802203	0.3 - 8.0	36.5	150	155.7	-
	SK40-NPU13-95	P2802204	1.0 - 13.0	50	95	105	-
	SK40-NPU13-130	P2802205	1.0 - 13.0	50	130	140	-
	SK40-NPU13-150	P2802206	1.0 - 13.0	50	150	160	-
50	SK50-NPU8-80	P2802207	0.3 - 8.0	36.5	80	85.7	-
	SK50-NPU8-110	P2802208	0.3 - 8.0	36.5	110	115.7	-
	SK50-NPU8-150	P2802209	0.3 - 8.0	36.5	150	155.7	-
	SK50-NPU13-95	P2802210	1.0 - 13.0	50	95	105	-
	SK50-NPU13-130	P2802211	1.0 - 13.0	50	130	140	-
	SK50-NPU13-150	P2802212	1.0 - 13.0	50	150	160	-

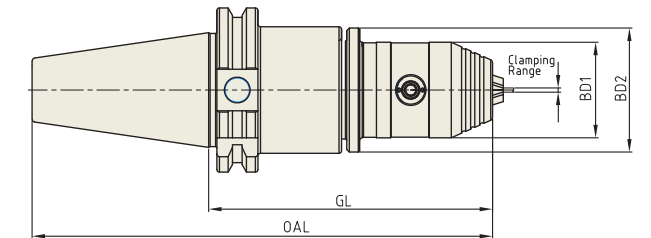
▶ CAT(ASME B5.50) taper and Inch type products are available.
▶ Supplied with hook wrench. (Size NPU 8 : 8S, NPU 13 : 13S)

YG NC DRILL CHUCK

HKD

NC DRILL CHUCK (HEX. KEY TYPE)

NC - BOHRFUTTER
MANDRIN DE PERÇAGE NC
NC MANDRINI PORTA PUNTE
PORTABROCAS PARA BROCAS NC



Unit : mm

TAPER No.	MODEL No.	EDP No.	CLAMPING RANGE	OAL	GL	BD1	BD2	WEIGHT (Kg)
40	SK40-HKD8-90	P2804002	0.3 - 8.0	158.4	90	37	48	-
	SK40-HKD13-100	P2804001	0.3 - 13.0	168.4	100	50.1	50.1	-
	SK40AD/B-HKD8-110	P2804003	0.3 - 8.0	178.4	110	37	48	-
	SK40AD/B-HKD13-130	P2804004	0.3 - 13.0	198.4	130	50.1	50.1	-

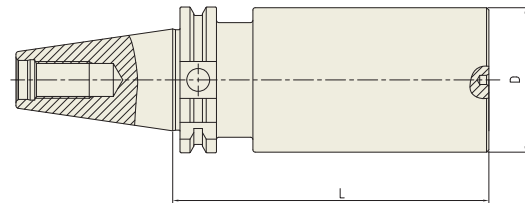
▶ CAT(ASME B5.50) taper and Inch type products are available.
▶ Supplied with hex. wrench. (Size HKD 8 : 4mm, HKD 13 : 6mm)

YG BLANK BAR

BL

BLANK BAR

BOHRSTANGENROHLING
EBAUCHE DE BARRES D ALÉSAGE
BARRA ALESATRICE GREZZA
PIEZA EN BRUTO PARA BARRAS DE MANDRINAR



Unit : mm

TAPER No.	MODEL No.	EDP No.	D	L	WEIGHT(Kg)
40	SK40A-BL63-250	P2779196	63	250	6.18
50	SK50A-BL97-315	P2779197	97	315	18.67

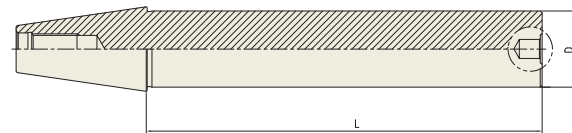
► CAT(ASME B5.50) taper and Inch type products are available.

YG TEST BAR

TB

TEST BAR

KONTROLLDORN
MANDRIN DE CONTRÔLE
MANDRINO DI CONTROLLO
MANDRIL DE CONTROL



Unit : mm

TAPER No.	MODEL No.	EDP No.	D	L	WEIGHT(Kg)
40	SK40A-TB40-300	P2802301	40	300	3.45
50	SK50A-TB50-300	P2803302	50	300	6.44

► CAT(ASME B5.50) taper and Inch type products are available.

YG-1 TOOLING SYSTEM

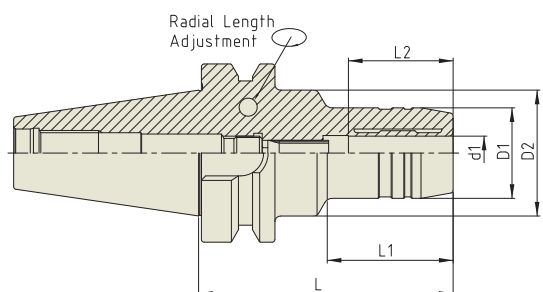
CBT
(BT DUAL CONTACT)



- HYDRAULIC CHUCK
- SHRINK FIT HOLDER
- ER COLLET CHUCK
- END MILL HOLDER (SIDE LOCK ARBOR)
- SHELL MILL ARBOR
- COMBI-SHELL MILL ARBOR
- POWER MILLING CHUCK
- SK SLIM CHUCK
- TAPPING ER CHUCK
- FACE MILL ARBOR
- NC DRILL CHUCK

HYDRAULIC CHUCK (RADIAL TOOL LENGTH PRE-SETTING TYPE)

HYDRAULIK SPANNFUTTER (RADIALE WERKZEUGLÄGEN VOREINSTELLUNG)
 MANDRIN HYDRAULIQUE (BANC DE PRÉ-RÉGLAGE RADIAL)
 MANDRINI IDRAULICI (UTENSILI RADIALI PER AZZERAMENTO)
 PORTAHERRAMIENTAS HIDRAULICO (AJUSTE DE LONGITUD TIPO PRE-SETTING)



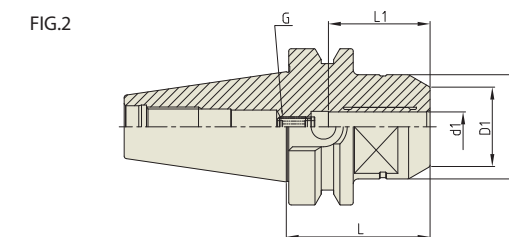
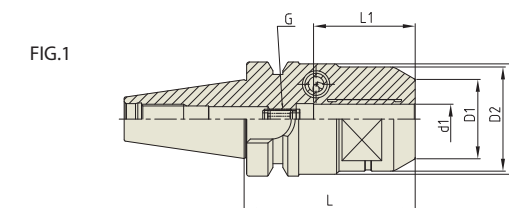
Unit : mm

TAPER No.	MODEL No.	EDP No.	d1	D1	D2	L	L1	L2	WEIGHT (Kg)
30	CBT30-HCR12-85	P2770551	12	32	44.5	85	40	37	0.90
	CBT30-HCR20-85	P2770552	20	44	44	85	-	42	1.00
40	CBT40-HCR12-90	P2770553	12	32	44.5	90	42.5	37	1.50
	CBT40-HCR20-90	P2770554	20	42	44.5	90	47.5	42	1.60
	CBT40-HCR32-105	P2770555	32	60	60	105	-	55	2.20
50	CBT50-HCR12-95	P2770556	12	32	44.5	95	34	37	3.90
	CBT50-HCR20-100	P2770557	20	42	44.5	100	44	42	4.00
	CBT50-HCR32-115	P2770558	32	60	60	115	-	55	4.10

- ▶ Inch type products are available.
- ▶ Balancing grade G2.5 at 25,000RPM or U max. < 1gmm.
- ▶ Supplied with clamping T-wrench.
- ▶ For applicable Hydraulic Chuck collet, please refer to page D291~D294.

HYDRAULIC CHUCK (Power E Hydro)

HYDRAULIK SPANNFUTTER (POWER E HYDRO)
 MANDRIN HYDRAULIQUE (POWER E HYDRO)
 MANDRINI IDRAULICI (POWER E HYDRO)
 PORTAHERRAMIENTAS HIDRAULICO (POWER E HYDRO)



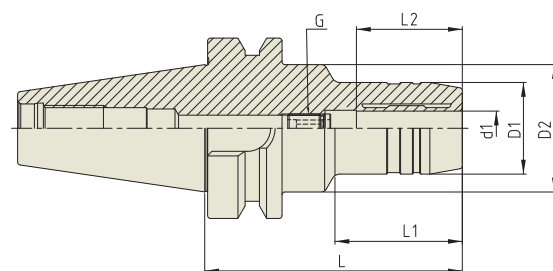
Unit : mm

TAPER No.	MODEL No.	EDP No.	d1	D1	D2	D3	L	L1	G	FIG.	WEIGHT (Kg)
30	CBT30-HC12P-69	P2776606P	12	32	42	44.5	69	41	M8x1.0	1	0.80
	CBT30-HC20P-90	P2776607P	20	38	42	44.5	90	48	M8x1.0	1	0.90
40	CBT40-HC12P-58	P2776608P	12	32	42	-	58	41	M8x1.0	2	1.10
	CBT40-HC20P-72.5	P2776609P	20	38	49.25	-	72.5	48	M8x1.0	2	1.40

- ▶ Inch type products are available.
- ▶ Balancing grade G2.5 at 25,000RPM or U max. < 1gmm.
- ▶ Supplied with clamping T-wrench.
- ▶ For applicable Hydraulic Chuck collet, please refer to page D291~D294.

HYDRAULIC CHUCK (STANDARD)

HYDRAULIK SPANNFUTTER (STANDARD)
 MANDRIN HYDRAULIQUE (STANDARD)
 MANDRINI IDRAULICI (STANDARD)
 PORTAHERRAMIENTAS HIDRAULICO (ESTÁNDAR)



Unit : mm

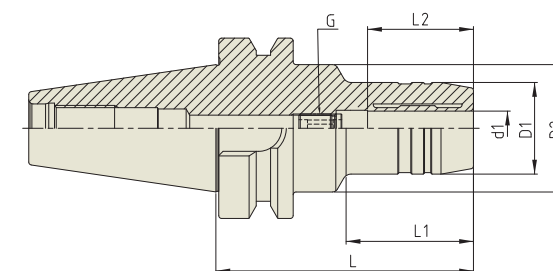
TAPER No.	MODEL No.	EDP No.	d1	D1	D2	L	L1	L2	G	WEIGHT (Kg)
30	CBT30-HC6-70	P2770503	6	26	44.5	70	29.5	27	M5x0.8	0.65
	CBT30-HC8-70	P2770504	8	28	44.5	70	30	27	M6x1.0	0.65
	CBT30-HC10-75	P2770505	10	30	44.5	75	31	32	M8x1.0	0.73
	CBT30-HC12-85	P2770506	12	32	45	85	45	37	M10x1.0	0.80
	CBT30-HC14-85	P2770507	14	34	45	85	45	37	M10x1.0	0.80
	CBT30-HC16-90	P2770508	16	38	45	90	50	42	M10x1.0	0.90
	CBT30-HC18-90	P2770509	18	40	45	90	50	42	M10x1.0	0.90
	CBT30-HC20-90	P2770510	20	42	45	90	50	42	M6x1.0	0.90
	40	CBT40-HC6-90	P2770511	6	26	44.5	90	43	27	M5x0.8
CBT40-HC8-90		P2770512	8	28	44.5	90	44.5	27	M6x1.0	1.30
CBT40-HC10-90		P2770513	10	30	44.5	90	44.5	32	M8x1.0	1.35
CBT40-HC12-90		P2770501	12	32	44.5	90	44.5	37	M10x1.0	1.35
CBT40-HC14-90		P2770514	14	34	44.5	90	44.5	37	M10x1.0	1.35
CBT40-HC16-90		P2770515	16	38	44.5	90	47.5	42	M12x1.0	1.40
CBT40-HC18-90		P2770516	18	40	44.5	90	47.5	42	M12x1.0	1.45
CBT40-HC20-90		P2770502	20	42	44.5	90	47.5	42	M16x1.0	1.50
CBT40-HC25-100		P2770517	25	50	60	100	47.5	48	M16x1.0	1.70
CBT40-HC32-105		P2770518	32	60	60	105	-	55	M16x1.0	2.10

- ▶ Inch type products are available.
- ▶ Balancing grade G2.5 at 25,000RPM or U max. < 1gmm.
- ▶ Supplied with clamping T-wrench.
- ▶ For applicable Hydraulic Chuck collet, please refer to page D291~D294.

▶ NEXT PAGE

HYDRAULIC CHUCK (STANDARD)

HYDRAULIK SPANNFUTTER (STANDARD)
 MANDRIN HYDRAULIQUE (STANDARD)
 MANDRINI IDRAULICI (STANDARD)
 PORTAHERRAMIENTAS HIDRAULICO (ESTÁNDAR)



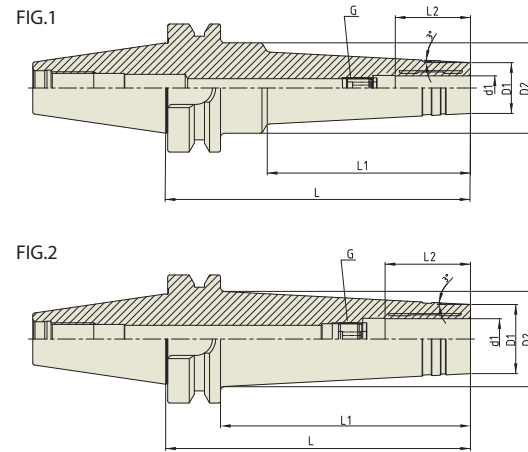
Unit : mm

TAPER No.	MODEL No.	EDP No.	d1	D1	D2	L	L1	L2	G	WEIGHT (Kg)
50	CBT50-HC6-90	P2770519	6	26	44.5	90	34	27	M5x0.8	3.75
	CBT50-HC6-120	P2770520	6	26	44.5	120	34	27	M5x0.8	4.10
	CBT50-HC6-150	P2770521	6	26	44.5	150	34	27	M5x0.8	4.70
	CBT50-HC8-90	P2770522	8	28	44.5	90	34	27	M6x1.0	3.75
	CBT50-HC8-120	P2770523	8	28	44.5	120	34	27	M6x1.0	4.10
	CBT50-HC8-150	P2770524	8	28	44.5	150	34	27	M6x1.0	4.10
	CBT50-HC10-90	P2770525	10	30	44.5	90	34	32	M8x1.0	3.90
	CBT50-HC10-120	P2770526	10	30	44.5	120	34	32	M8x1.0	4.30
	CBT50-HC10-150	P2770527	10	30	44.5	150	34	32	M8x1.0	4.90
	CBT50-HC12-90	P2770528	12	32	44.5	90	34	37	M10x1.0	3.90
	CBT50-HC12-120	P2770529	12	32	44.5	120	34	37	M10x1.0	4.30
	CBT50-HC12-150	P2770530	12	32	44.5	150	34	37	M10x1.0	4.90
	CBT50-HC14-90	P2770531	14	34	44.5	90	34	37	M10x1.0	3.90
	CBT50-HC14-120	P2770532	14	34	44.5	120	34	37	M10x1.0	4.30
	CBT50-HC14-150	P2770533	14	34	44.5	150	34	37	M10x1.0	4.90
	CBT50-HC16-90	P2770534	16	38	44.5	90	34	42	M12x1.0	4.00
	CBT50-HC16-120	P2770535	16	38	44.5	120	34	42	M12x1.0	4.40
	CBT50-HC16-150	P2770536	16	38	44.5	150	34	42	M12x1.0	5.00
	CBT50-HC18-90	P2770537	18	40	44.5	90	34	42	M12x1.0	4.00
	CBT50-HC18-120	P2770538	18	40	44.5	120	34	42	M12x1.0	4.40
	CBT50-HC18-150	P2770539	18	40	44.5	150	34	42	M12x1.0	5.00
	CBT50-HC20-90	P2770540	20	42	44.5	90	34	42	M16x1.0	4.00
	CBT50-HC20-120	P2770541	20	42	44.5	120	34	42	M16x1.0	4.40
	CBT50-HC20-150	P2770542	20	42	44.5	150	34	42	M16x1.0	5.00
	CBT50-HC25-105	P2770543	25	57	63	105	52	48	M16x1.0	4.40
	CBT50-HC25-150	P2770544	25	57	63	150	97	48	M16x1.0	5.60
	CBT50-HC32-115	P2770545	32	64	75	115	62	55	M16x1.0	4.70
	CBT50-HC32-150	P2770546	32	64	75	150	97	55	M16x1.0	6.00

- ▶ Inch type products are available.
- ▶ Balancing grade G2.5 at 25,000RPM or U max. < 1gmm.
- ▶ Supplied with clamping T-wrench.
- ▶ For applicable Hydraulic Chuck collet, please refer to page D291~D294.

HYDRAULIC CHUCK (SLIM)

HYDRAULIK SPANNFUTTER FÜR DEN FORMENBAU
 MANDRIN HYDRAULIQUE POUR MOULISTE
 MANDRINI IDRAULICI PER STAMPAGGIO
 PORTAHERRAMIENTAS HIDRAULICO PARA MOLDES



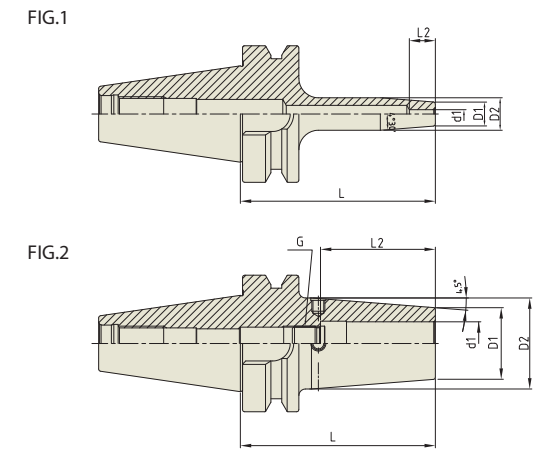
Unit : mm

TAPER No.	MODEL No.	EDP No.	d1	D1	D2	L	L1	L2	G	FIG.	WEIGHT (Kg)
40	CBT40-HMC6-120	P2770921	6	20	44.5	120	70	27	M5×0.8	1	1.40
	CBT40-HMC6-150	P2770922	6	20	44.5	150	100	27	M5×0.8	1	1.65
	CBT40-HMC8-120	P2770923	8	22	44.5	120	70	27	M6×1.0	1	1.40
	CBT40-HMC8-150	P2770924	8	22	44.5	150	100	27	M6×1.0	1	1.65
	CBT40-HMC10-120	P2770925	10	24	44.5	120	70	32	M8×1.0	1	1.40
	CBT40-HMC10-150	P2770926	10	24	44.5	150	100	32	M8×1.0	1	1.65
	CBT40-HMC12-120	P2770927	12	25	44.5	120	70	37	M10×1.0	1	1.40
	CBT40-HMC12-150	P2770928	12	25	44.5	150	100	37	M10×1.0	1	1.65
	CBT40-HMC14-120	P2770939	14	27	44.5	120	70	37	M10×1.0	1	1.50
	CBT40-HMC14-150	P2770940	14	27	44.5	150	100	37	M10×1.0	1	1.65
	CBT40-HMC16-120	P2770929	16	32	44.5	120	70	42	M12×1.0	1	1.45
	CBT40-HMC16-150	P2770930	16	32	44.5	150	100	42	M12×1.0	1	1.70
	CBT40-HMC20-120	P2770931	20	34	43.8	120	93	42	M16×1.0	2	1.50
	CBT40-HMC20-150	P2770932	20	34	46.9	150	123	42	M16×1.0	2	1.80
50	CBT50-HMC6-150	P2770933	6	20	50	150	90	27	M5×0.8	1	4.70
	CBT50-HMC8-150	P2770934	8	22	50	150	90	27	M6×1.0	1	4.70
	CBT50-HMC10-150	P2770935	10	24	50	150	90	32	M8×1.0	1	4.70
	CBT50-HMC12-150	P2770936	12	25	50	150	90	37	M10×1.0	1	4.70
	CBT50-HMC14-150	P2770941	14	27	50	150	100	37	M10×1.0	1	4.80
	CBT50-HMC16-150	P2770937	16	32	50	150	90	42	M12×1.0	1	4.90
CBT50-HMC20-150	P2770938	20	34	50	150	90	42	M16×1.0	1	5.00	

- ▶ Inch type products are available.
- ▶ Balancing grade G2.5 at 25,000RPM or U max. < 1gmm.
- ▶ For applicable Hydraulic Chuck collet, please refer to page D291~D294.

SHRINK FIT HOLDER

SCHRUMPFUTTER
 MANDRIN DE FRETAGE
 MADRINI PER CALLETAMENTO A CALDO
 PORTAHERRAMIENTAS DE COMPRESION POR CALOR



Unit : mm

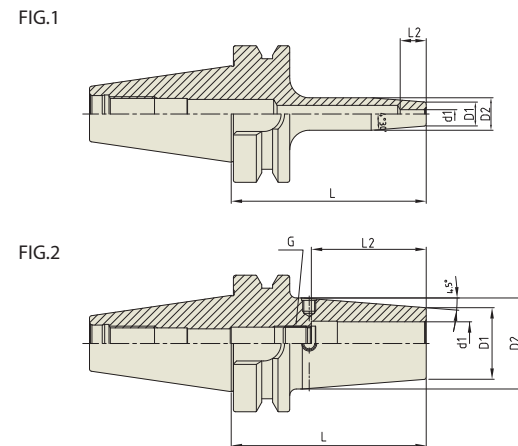
TAPER No.	MODEL No.	EDP No.	d1	D1	D2	L	L2	G	FIG.	WEIGHT (Kg)	
30	CBT30-SFH3-60	P2771505	3	11	15	60	10	-	1	0.40	
	CBT30-SFH4-60	P2771506	4	11	15	60	12	-	1	0.40	
	CBT30-SFH5-60	P2771507	5	11	15	60	15	-	1	0.40	
	CBT30-SFH6-60	P2771508	6	21	27	60	36	M5×0.8	2	0.40	
	CBT30-SFH8-60	P2771509	8	21	27	60	36	M6×1.0	2	0.40	
	CBT30-SFH10-80	P2771510	10	24	32	80	41	M8×1.0	2	0.40	
	CBT30-SFH12-80	P2771511	12	24	32	80	48	M10×1.0	2	0.42	
	CBT30-SFH14-80	P2771512	14	27	34	80	48	M10×1.0	2	0.42	
	CBT30-SFH16-80	P2771513	16	27	34	80	51	M12×1.0	2	0.42	
	CBT30-SFH18-80	P2771514	18	27	34	80	51	M12×1.0	2	0.42	
	CBT30-SFH20-90	P2771515	20	33	42	90	53	M16×1.0	2	0.44	
	40	CBT40-SFH3-90	P2771516	3	11	15	90	10	-	1	1.00
		CBT40-SFH4-90	P2771517	4	11	15	90	12	-	1	1.00
		CBT40-SFH5-90	P2771518	5	11	15	90	23	-	1	1.00
CBT40-SFH6-90		P2771519	6	21	27	90	36	M5×0.8	2	1.10	
CBT40-SFH6-130		P2771564	6	21	27	130	36	M5×0.8	2	-	
CBT40-SFH6-160		P2771520	6	21	27	160	36	M5×0.8	2	1.15	
CBT40-SFH8-90		P2771501	8	21	27	90	36	M6×1.0	2	1.11	
CBT40-SFH8-130		P2771565	8	21	27	130	36	M6×1.0	2	-	
CBT40-SFH8-160		P2771521	8	21	27	160	36	M6×1.0	2	1.15	
CBT40-SFH10-90		P2771502	10	24	32	90	41	M8×1.0	2	1.10	
CBT40-SFH10-130		P2771566	10	24	32	130	41	M8×1.0	2	-	
CBT40-SFH10-160		P2771522	10	24	32	160	41	M8×1.0	2	1.15	
CBT40-SFH12-90		P2771503	12	24	32	90	47	M10×1.0	2	1.10	
CBT40-SFH12-130		P2771567	12	24	32	130	47	M10×1.0	2	-	
CBT40-SFH12-160	P2771523	12	24	32	160	47	M10×1.0	2	1.15		
CBT40-SFH14-90	P2771524	14	27	34	90	47	M10×1.0	2	1.20		
CBT40-SFH14-130	P2771568	14	27	34	130	47	M10×1.0	2	-		
CBT40-SFH14-160	P2771525	14	27	34	160	47	M10×1.0	2	1.50		

- ▶ Inch type products are available.
- ▶ Supplied without balancing screws.
- ▶ Balancing grade G2.5 at 25,000RPM or U max. < 1gmm.

▶ NEXT PAGE

SHRINK FIT HOLDER

SCHRUMPFUTTER
MANDRIN DE FRETAGE
MADRINI PER CALLETAMENTO A CALDO
PORTAHERRAMIENTAS DE COMPRESION POR CALOR



Unit : mm

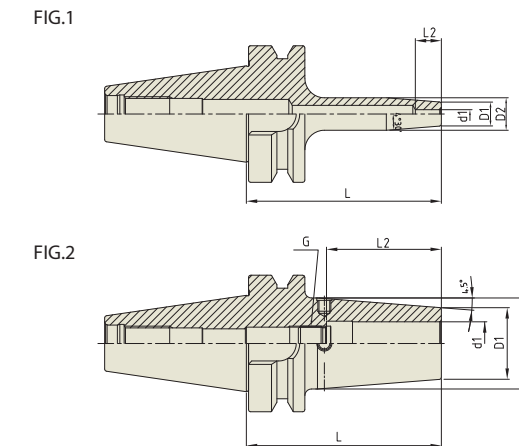
TAPER No.	MODEL No.	EDP No.	d1	D1	D2	L	L2	G	FIG.	WEIGHT (Kg)
40	CBT40-SFH16-90	P2771526	16	27	34	90	50	M12×1.0	2	1.20
	CBT40-SFH16-130	P2771569	16	27	34	130	50	M12×1.0	2	-
	CBT40-SFH16-160	P2771527	16	27	34	160	50	M12×1.0	2	1.50
	CBT40-SFH18-90	P2771528	18	33	42	90	50	M12×1.0	2	1.30
	CBT40-SFH18-130	P2771570	18	33	42	130	50	M12×1.0	2	-
	CBT40-SFH18-160	P2771529	18	33	42	160	50	M12×1.0	2	1.60
	CBT40-SFH20-90	P2771504	20	33	42	90	52	M16×1.0	2	1.40
	CBT40-SFH20-130	P2771571	20	33	42	130	52	M16×1.0	2	-
	CBT40-SFH20-160	P2771530	20	33	42	160	52	M16×1.0	2	1.70
	CBT40-SFH25-100	P2771531	25	44	53	100	58	M16×1.0	2	1.70
	CBT40-SFH25-130	P2771572	25	44	53	130	58	M16×1.0	2	-
	CBT40-SFH25-160	P2771532	25	44	53	160	58	M16×1.0	2	2.00
50	CBT50-SFH3-100	P2771533	3	11	15	100	10	-	1	1.50
	CBT50-SFH4-100	P2771534	4	11	15	100	12	-	1	1.50
	CBT50-SFH5-100	P2771535	5	11	15	100	15	-	1	1.50
	CBT50-SFH6-100	P2771536	6	21	27	100	36	M5×0.8	2	1.50
	CBT50-SFH6-130	P2771573	6	21	27	130	36	M5×0.8	2	-
	CBT50-SFH6-160	P2771537	6	21	27	160	36	M5×0.8	2	2.00
	CBT50-SFH6-200	P2771574	6	21	27	200	36	M5×0.8	2	-
	CBT50-SFH8-100	P2771538	8	21	27	100	36	M6×1.0	2	1.50
	CBT50-SFH8-130	P2771575	8	21	27	130	36	M6×1.0	2	-
	CBT50-SFH8-160	P2771539	8	21	27	160	36	M6×1.0	2	2.00
	CBT50-SFH8-200	P2771576	8	21	27	200	36	M6×1.0	2	-
	CBT50-SFH10-100	P2771540	10	24	32	100	42	M8×1.0	2	1.50
	CBT50-SFH10-130	P2771577	10	24	32	130	42	M8×1.0	2	-
	CBT50-SFH10-160	P2771541	10	24	32	160	42	M8×1.0	2	2.00
	CBT50-SFH10-200	P2771578	10	24	32	200	42	M8×1.0	2	-

- ▶ Inch type products are available.
- ▶ Supplied without balancing screws.
- ▶ Balancing grade G2.5 at 25,000RPM or U max. < 1gmm.

▶ NEXT PAGE

SHRINK FIT HOLDER

SCHRUMPFUTTER
MANDRIN DE FRETAGE
MADRINI PER CALLETAMENTO A CALDO
PORTAHERRAMIENTAS DE COMPRESION POR CALOR



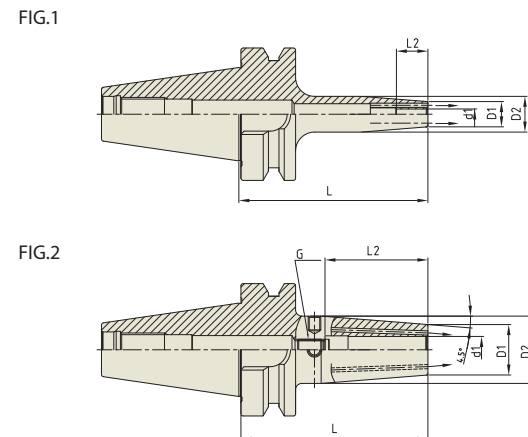
Unit : mm

TAPER No.	MODEL No.	EDP No.	d1	D1	D2	L	L2	G	FIG.	WEIGHT (Kg)
50	CBT50-SFH12-100	P2771542	12	24	32	100	47	M10×1.0	2	1.50
	CBT50-SFH12-130	P2771579	12	24	32	130	47	M10×1.0	2	-
	CBT50-SFH12-160	P2771543	12	24	32	160	47	M10×1.0	2	2.00
	CBT50-SFH12-200	P2771580	12	24	32	200	47	M10×1.0	2	-
	CBT50-SFH14-100	P2771544	14	27	34	100	47	M10×1.0	2	1.60
	CBT50-SFH14-130	P2771581	14	27	34	130	47	M10×1.0	2	-
	CBT50-SFH14-160	P2771545	14	27	34	160	47	M10×1.0	2	2.10
	CBT50-SFH14-200	P2771582	14	27	34	200	47	M10×1.0	2	-
	CBT50-SFH16-100	P2771546	16	27	34	100	50	M12×1.0	2	1.60
	CBT50-SFH16-130	P2771583	16	27	34	130	50	M12×1.0	2	-
	CBT50-SFH16-160	P2771547	16	27	34	160	50	M12×1.0	2	2.10
	CBT50-SFH16-200	P2771584	16	27	34	200	50	M12×1.0	2	-
	CBT50-SFH18-100	P2771548	18	33	42	100	50	M12×1.0	2	1.60
	CBT50-SFH18-130	P2771585	18	33	42	130	50	M12×1.0	2	-
	CBT50-SFH18-160	P2771549	18	33	42	160	50	M12×1.0	2	2.00
	CBT50-SFH18-200	P2771586	18	33	42	200	50	M12×1.0	2	-
	CBT50-SFH20-100	P2771550	20	33	42	100	52	M16×1.0	2	1.80
	CBT50-SFH20-130	P2771587	20	33	42	130	52	M16×1.0	2	-
	CBT50-SFH20-160	P2771551	20	33	42	160	52	M16×1.0	2	2.20
	CBT50-SFH20-200	P2771588	20	33	42	200	52	M16×1.0	2	-
	CBT50-SFH25-100	P2771552	25	44	53	100	58	M16×1.0	2	2.00
	CBT50-SFH25-130	P2771589	25	44	53	130	58	M16×1.0	2	-
	CBT50-SFH25-160	P2771553	25	44	53	160	58	M16×1.0	2	2.40
	CBT50-SFH25-200	P2771590	25	44	53	200	58	M16×1.0	2	-

- ▶ Inch type products are available.
- ▶ Supplied without balancing screws.
- ▶ Balancing grade G2.5 at 25,000RPM or U max. < 1gmm.

SHRINK FIT HOLDER (COOLANT CHANNEL)

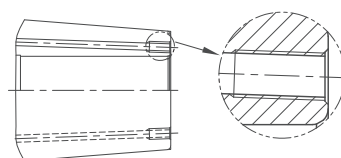
SCHRUMPFUTTER
MANDRIN DE FRETAGE
MADRINI PER CALLETAMENTO A CALDO
PORTAHERRAMIENTAS DE COMPRESION POR CALOR



Unit : mm

TAPER No.	MODEL No.	EDP No.	d1	D1	D2	L	L2	G	FIG.	WEIGHT (Kg)
40	CBT40-SFH3C-90*1	P2862160C	3	12	17	90	10	-	1	-
	CBT40-SFH4C-90*1	P2862161C	4	12	17	90	12	-	1	-
	CBT40-SFH5C-90*1	P2862162C	5	12	17	90	15	-	1	-
	CBT40-SFH6C-90	P2862049C	6	21	27	90	36	M5x0.8	2	1.10
	CBT40-SFH6C-130	P2862184C	6	21	27	130	36	M5x0.8	2	-
	CBT40-SFH6C-160	P2862050C	6	21	27	160	36	M5x0.8	2	1.15
	CBT40-SFH8C-90	P2862051C	8	21	27	90	36	M6x1.0	2	1.11
	CBT40-SFH8C-130	P2862185C	8	21	27	130	36	M6x1.0	2	-
	CBT40-SFH8C-160	P2862052C	8	21	27	160	36	M6x1.0	2	1.15
	CBT40-SFH10C-90	P2862053C	10	24	32	90	41	M8x1.0	2	1.10
	CBT40-SFH10C-130	P2862186C	10	24	32	130	41	M8x1.0	2	-
	CBT40-SFH10C-160	P2862054C	10	24	32	160	41	M8x1.0	2	1.15
	CBT40-SFH12C-90	P2862055C	12	24	32	90	47	M10x1.0	2	1.10
	CBT40-SFH12C-130	P2862187C	12	24	32	130	47	M10x1.0	2	-
	CBT40-SFH12C-160	P2862056C	12	24	32	160	47	M10x1.0	2	1.15
	CBT40-SFH14C-90	P2862057C	14	27	34	90	47	M10x1.0	2	1.20
	CBT40-SFH14C-130	P2862188C	14	27	34	130	47	M10x1.0	2	-
	CBT40-SFH14C-160	P2862058C	14	27	34	160	47	M10x1.0	2	1.50
	CBT40-SFH16C-90	P2862059C	16	27	34	90	50	M12x1.0	2	1.20
	CBT40-SFH16C-130	P2862189C	16	27	34	130	50	M12x1.0	2	-
CBT40-SFH16C-160	P2862060C	16	27	34	160	50	M12x1.0	2	1.50	
CBT40-SFH18C-90	P2862061C	18	33	42	90	50	M12x1.0	2	1.30	
CBT40-SFH18C-130	P2862190C	18	33	42	130	50	M12x1.0	2	-	
CBT40-SFH18C-160	P2862062C	18	33	42	160	50	M12x1.0	2	1.60	

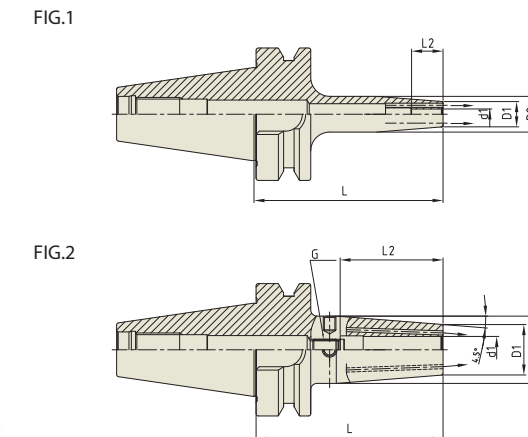
- ▶ Inch type products are available.
- ▶ Supplied without balancing screws.
- ▶ Balancing grade G2.5 at 25,000RPM or U max. < 1gmm.
- ▶ With two coolant channel bores.
- ▶ Resealable coolant channel type is available upon request. (Thread for plugging screw & 2 screws)
- ▶ *1 Resealable type is not available.



▶ NEXT PAGE

SHRINK FIT HOLDER (COOLANT CHANNEL)

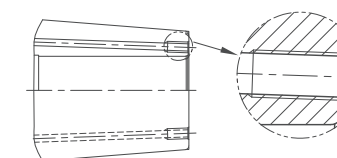
SCHRUMPFUTTER
MANDRIN DE FRETAGE
MADRINI PER CALLETAMENTO A CALDO
PORTAHERRAMIENTAS DE COMPRESION POR CALOR



Unit : mm

TAPER No.	MODEL No.	EDP No.	d1	D1	D2	L	L2	G	FIG.	WEIGHT (Kg)
40	CBT40-SFH20C-90	P2862063C	20	33	42	90	52	M16x1.0	2	1.40
	CBT40-SFH20C-130	P2862191C	20	33	42	130	52	M16x1.0	2	-
	CBT40-SFH20C-160	P2862064C	20	33	42	160	52	M16x1.0	2	1.70
	CBT40-SFH25C-100	P2862065C	25	44	53	100	58	M16x1.0	2	1.70
	CBT40-SFH25C-130	P2862192C	25	44	53	130	58	M16x1.0	2	-
	CBT40-SFH25C-160	P2862066C	25	44	53	160	58	M16x1.0	2	2.00
	CBT50-SFH3C-100*1	P2862172C	3	12	17	100	10	-	1	-
	CBT50-SFH4C-100*1	P2862173C	4	12	17	100	12	-	1	-
	CBT50-SFH5C-100*1	P2862174C	5	12	17	100	15	-	1	-
	CBT50-SFH6C-100	P2862067C	6	21	27	100	36	M5x0.8	2	1.50
50	CBT50-SFH6C-130	P2862193C	6	21	27	130	36	M5x0.8	2	-
	CBT50-SFH6C-160	P2862068C	6	21	27	160	36	M5x0.8	2	2.00
	CBT50-SFH6C-200	P2862194C	6	21	27	200	36	M5x0.8	2	-
	CBT50-SFH8C-100	P2862069C	8	21	27	100	36	M6x1.0	2	1.50
	CBT50-SFH8C-130	P2862195C	8	21	27	130	36	M6x1.0	2	-
	CBT50-SFH8C-160	P2862070C	8	21	27	160	36	M6x1.0	2	2.00
	CBT50-SFH8C-200	P2862196C	8	21	27	200	36	M6x1.0	2	-
	CBT50-SFH10C-100	P2862071C	10	24	32	100	42	M8x1.0	2	1.10
	CBT50-SFH10C-130	P2862197C	10	24	32	130	42	M8x1.0	2	-
	CBT50-SFH10C-160	P2862072C	10	24	32	160	42	M8x1.0	2	1.15
CBT50-SFH10C-200	P2862198C	10	24	32	200	42	M8x1.0	2	-	
CBT50-SFH12C-100	P2862073C	12	24	32	100	47	M10x1.0	2	1.60	
CBT50-SFH12C-130	P2862199C	12	24	32	130	47	M10x1.0	2	-	
CBT50-SFH12C-160	P2862074C	12	24	32	160	47	M10x1.0	2	2.10	

- ▶ Inch type products are available.
- ▶ Supplied without balancing screws.
- ▶ Balancing grade G2.5 at 25,000RPM or U max. < 1gmm.
- ▶ With two coolant channel bores.
- ▶ Resealable coolant channel type is available upon request. (Thread for plugging screw & 2 screws)
- ▶ *1 Resealable type is not available.



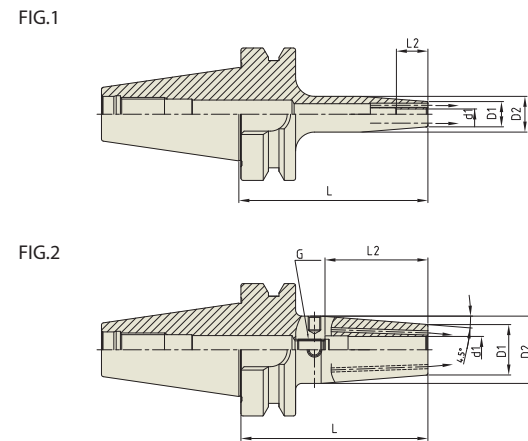
▶ NEXT PAGE

SHRINK FIT HOLDER

SFH

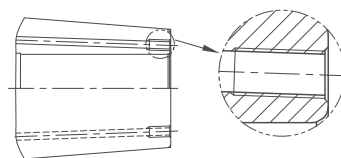
SHRINK FIT HOLDER (COOLANT CHANNEL)

SCHRUMPFUTTER
MANDRIN DE FRETTAGE
MADRINI PER CALLETAMENTO A CALDO
PORTAHERRAMIENTAS DE COMPRESION POR CALOR



Unit : mm										
TAPER No.	MODEL No.	EDP No.	d1	D1	D2	L	L2	G	FIG.	WEIGHT (Kg)
50	CBT50-SFH12C-200	P2862200C	12	24	32	200	47	M10x1.0	2	-
	CBT50-SFH14C-100	P2862075C	14	27	34	100	47	M10x1.0	2	1.60
	CBT50-SFH14C-130	P2862201C	14	27	34	130	47	M10x1.0	2	-
	CBT50-SFH14C-160	P2862076C	14	27	34	160	47	M10x1.0	2	2.10
	CBT50-SFH14C-200	P2862202C	14	27	34	200	47	M10x1.0	2	-
	CBT50-SFH16C-100	P2862077C	16	27	34	100	50	M12x1.0	2	1.60
	CBT50-SFH16C-130	P2862203C	16	27	34	130	50	M12x1.0	2	-
	CBT50-SFH16C-160	P2862078C	16	27	34	160	50	M12x1.0	2	2.10
	CBT50-SFH16C-200	P2862204C	16	27	34	200	50	M12x1.0	2	-
	CBT50-SFH18C-100	P2862079C	18	33	42	100	50	M12x1.0	2	1.60
	CBT50-SFH18C-130	P2862205C	18	33	42	130	50	M12x1.0	2	-
	CBT50-SFH18C-160	P2862080C	18	33	42	160	50	M12x1.0	2	2.00
CBT50-SFH18C-200	P2862206C	18	33	42	200	50	M12x1.0	2	-	
CBT50-SFH20C-100	P2862081C	20	33	42	100	52	M16x1.0	2	1.80	
CBT50-SFH20C-130	P2862207C	20	33	42	130	52	M16x1.0	2	-	
CBT50-SFH20C-160	P2862082C	20	33	42	160	52	M16x1.0	2	2.20	
CBT50-SFH20C-200	P2862208C	20	33	42	200	52	M16x1.0	2	-	
CBT50-SFH25C-100	P2862083C	25	44	53	100	58	M16x1.0	2	2.00	
CBT50-SFH25C-130	P2862209C	25	44	53	130	58	M16x1.0	2	-	
CBT50-SFH25C-160	P2862084C	25	44	53	160	58	M16x1.0	2	2.40	
CBT50-SFH25C-200	P2862210C	25	44	53	200	58	M16x1.0	2	-	

- ▶ Inch type products are available.
- ▶ Supplied without balancing screws.
- ▶ Balancing grade G2.5 at 25,000RPM or U max. < 1gmm.
- ▶ With two coolant channel bores.
- ▶ Resealable coolant channel type is available upon request. (Thread for plugging screw & 2 screws)

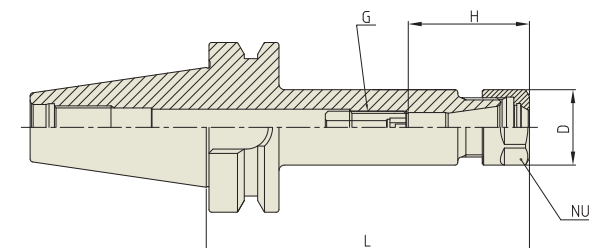


ER COLLET CHUCK

ER

ER COLLET CHUCK

SPANN FUTTER - ER
MANDRIN À PINCES - ER
MANDRINO PORTA PINZE - ER
PORTAPINZAS - ER



Unit : mm										
TAPER No.	MODEL No.	EDP No.	CLAMPING RANGE	L	D	G	H	NUT / COLLET	WEIGHT (Kg)	
30	CBT30-ER11-70	P2776802	0.5 - 7.0	70	19	M6	45	ER11	0.50	
	CBT30-ER11-100	P2776803	0.5 - 7.0	100	19	M6	45	ER11	0.50	
	CBT30-ER16-70	P2776804	0.5 - 10.0	70	28	M10	45	ER16	1.00	
	CBT30-ER16-100	P2776805	0.5 - 10.0	100	28	M10	45	ER16	1.10	
	CBT30-ER20-80	P2776806	0.5 - 13.0	80	34	M12	50	ER20	1.20	
	CBT30-ER20-100	P2776807	0.5 - 13.0	100	34	M12	50	ER20	1.30	
	CBT30-ER25-70	P2776808	1.0 - 16.0	70	42	M12	65	ER25	1.20	
	CBT30-ER25-100	P2776809	1.0 - 16.0	100	42	M12	65	ER25	1.30	
	CBT30-ER32-60	P2776801	1.0 - 20.0	60	50	M12	65	ER32	1.40	
	CBT30-ER32-90	P2776810	1.0 - 20.0	90	50	M12	65	ER32	1.90	
	40	CBT40-ER11-75	P2772004	0.5 - 7.0	75	19	M6	45	ER11	1.00
		CBT40-ER11-100	P2772005	0.5 - 7.0	100	19	M6	45	ER11	1.10
CBT40-ER16-75		P2772006	0.5 - 10.0	75	28	M10	45	ER16	1.10	
CBT40-ER16-100		P2772001	0.5 - 10.0	100	28	M10	45	ER16	1.20	
CBT40-ER16-120		P2772007	0.5 - 10.0	120	28	M12	45	ER16	1.40	
CBT40-ER20-75		P2772008	0.5 - 13.0	75	34	M12	50	ER20	1.40	
CBT40-ER20-100		P2772009	0.5 - 13.0	100	34	M12	50	ER20	1.80	
CBT40-ER20-135		P2772010	0.5 - 13.0	135	34	M12	50	ER20	2.20	
CBT40-ER25-75		P2772011	1.0 - 16.0	75	42	M12	65	ER25	1.40	
CBT40-ER25-100		P2772002	1.0 - 16.0	100	42	M12	65	ER25	1.80	
CBT40-ER25-135		P2772012	1.0 - 16.0	135	42	M12	65	ER25	2.20	
CBT40-ER25-150		P2772013	1.0 - 16.0	150	42	M12	65	ER25	2.40	
CBT40-ER32-60		P2772014	1.0 - 20.0	60	50	M12	65	ER32	1.80	
CBT40-ER32-100		P2772003	1.0 - 20.0	100	50	M12	65	ER32	2.20	
CBT40-ER32-120		P2772015	1.0 - 20.0	120	50	M12	65	ER32	2.40	
CBT40-ER32-150		P2772016	1.0 - 20.0	150	50	M12	65	ER32	2.60	
CBT40-ER40-80		P2772017	2.0 - 30.0	80	63	M12	75	ER40	1.50	

- ▶ Balancing grade G2.5 at 25,000RPM or U max. < 1gmm.
- ▶ For applicable ER collet, please refer to page D296~D304.
- ▶ For applicable ER nut, Sealing disk and Spanner, please refer to page D305~D309.

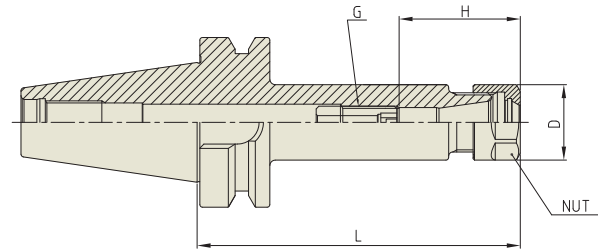
▶ NEXT PAGE

YG ER COLLET CHUCK

ER

ER COLLET CHUCK

SPANN FUTTER - ER
MANDRIN À PINCES - ER
MANDRINO PORTA PINZE - ER
PORTAPINZAS - ER



Unit : mm									
TAPER No.	MODEL No.	EDP No.	CLAMPING RANGE	L	D	G	H	NUT / COLLET	WEIGHT (Kg)
50	CBT50-ER16-100	P2772018	0.5 - 10.0	100	28	M10	45	ER16	4.20
	CBT50-ER16-120	P2772019	0.5 - 10.0	120	28	M10	45	ER16	4.40
	CBT50-ER16-165	P2772020	0.5 - 10.0	165	28	M10	45	ER16	4.60
	CBT50-ER20-100	P2772021	0.5 - 13.0	100	34	M12	50	ER20	4.60
	CBT50-ER20-135	P2772022	0.5 - 13.0	135	34	M12	50	ER20	4.80
	CBT50-ER20-165	P2772023	0.5 - 13.0	165	34	M12	50	ER20	5.00
	CBT50-ER25-100	P2772024	1.0 - 16.0	100	42	M12	65	ER25	4.70
	CBT50-ER25-135	P2772025	1.0 - 16.0	135	42	M12	65	ER25	4.80
	CBT50-ER25-165	P2772026	1.0 - 16.0	165	42	M12	65	ER25	5.00
	CBT50-ER32-100	P2772027	1.0 - 20.0	100	50	M12	65	ER32	5.20
	CBT50-ER32-135	P2772028	1.0 - 20.0	135	50	M12	65	ER32	5.70
	CBT50-ER32-165	P2772029	1.0 - 20.0	165	50	M12	65	ER32	5.80
	CBT50-ER40-100	P2772030	2.0 - 30.0	100	63	M12	75	ER40	5.60
	CBT50-ER40-150	P2772031	2.0 - 30.0	150	63	M12	75	ER40	6.10
	CBT50-ER50-100	P2772032	4.0 - 34.0	100	78	M16	85	ER50	5.80
	CBT50-ER50-150	P2772033	4.0 - 34.0	150	78	M16	85	ER50	6.30

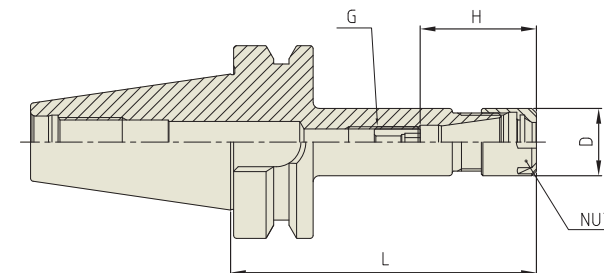
- ▶ Balancing grade G2.5 at 25,000RPM or U max. < 1gmm.
- ▶ For applicable ER collet, please refer to page D296~D304.
- ▶ For applicable ER nut, Sealing disk and Spanner, please refer to page D305~D309.

YG ER COLLET CHUCK

ER

ER COLLET CHUCK (SLIM)

SPANN FUTTER - ER
MANDRIN À PINCES - ER
MANDRINO PORTA PINZE - ER
PORTAPINZAS - ER

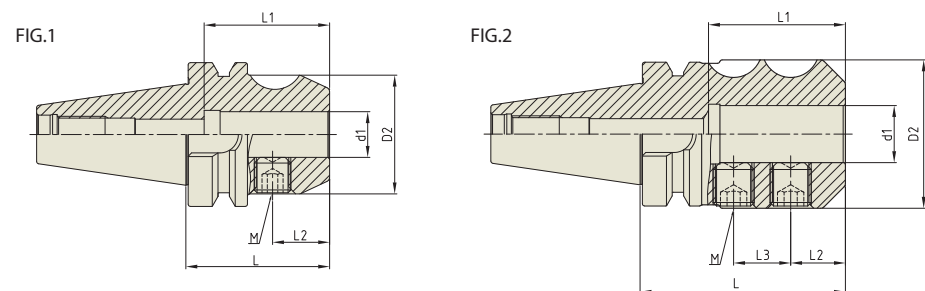


Unit : mm									
TAPER No.	MODEL No.	EDP No.	CLAMPING RANGE	L	D	G	H	NUT / COLLET	WEIGHT (Kg)
30	CBT30-ER11M-70	P2802682	0.5 - 7.0	70	16	M6	29.5	ER11M / ER11	-
	CBT30-ER11M-100	P2802683	0.5 - 7.0	100	16	M6	29.5	ER11M / ER11	-
	CBT30-ER16M-70	P2802684	0.5 - 10.0	70	22	M10	38	ER16M / ER16	-
	CBT30-ER16M-100	P2802685	0.5 - 10.0	100	22	M10	38	ER16M / ER16	-
	CBT30-ER20M-80	P2802686	0.5 - 13.0	80	28	M12	44.5	ER20M / ER20	-
	CBT30-ER20M-100	P2802687	0.5 - 13.0	100	28	M12	44.5	ER20M / ER20	-
	CBT30-ER25M-70	P2802688	1.0 - 16.0	70	35	M12	52	ER25M / ER25	-
	CBT30-ER25M-100	P2802689	1.0 - 16.0	100	35	M12	52	ER25M / ER25	-
40	CBT40-ER11M-75	P2802690	0.5 - 7.0	75	16	M6	29.5	ER11M / ER11	-
	CBT40-ER11M-100	P2802691	0.5 - 7.0	100	16	M6	29.5	ER11M / ER11	-
	CBT40-ER11M-130	P2802692	0.5 - 7.0	130	16	M6	29.5	ER11M / ER11	-
	CBT40-ER11M-160	P2802693	0.5 - 7.0	160	16	M6	29.5	ER11M / ER11	-
	CBT40-ER16M-75	P2802694	0.5 - 10.0	75	22	M10	38	ER16M / ER16	-
	CBT40-ER16M-100	P2802695	0.5 - 10.0	100	22	M10	38	ER16M / ER16	-
	CBT40-ER16M-130	P2802696	0.5 - 10.0	130	22	M10	38	ER16M / ER16	-
	CBT40-ER16M-160	P2802697	0.5 - 10.0	160	22	M10	38	ER16M / ER16	-
	CBT40-ER20M-75	P2802698	0.5 - 13.0	75	28	M12	44.5	ER20M / ER20	-
	CBT40-ER20M-100	P2802699	0.5 - 13.0	100	28	M12	44.5	ER20M / ER20	-
	CBT40-ER20M-130	P2802720	0.5 - 13.0	130	28	M12	44.5	ER20M / ER20	-
	CBT40-ER20M-160	P2802721	0.5 - 13.0	160	28	M12	44.5	ER20M / ER20	-
	CBT40-ER25M-75	P2802722	1.0 - 16.0	75	35	M12	52	ER25M / ER25	-
	CBT40-ER25M-100	P2802723	1.0 - 16.0	100	35	M12	52	ER25M / ER25	-
	CBT40-ER25M-130	P2802724	1.0 - 16.0	130	35	M12	52	ER25M / ER25	-
	CBT40-ER25M-160	P2802725	1.0 - 16.0	160	35	M12	52	ER25M / ER25	-
50	CBT50-ER16M-100	P2802726	0.5 - 10.0	100	22	M10	38	ER16M / ER16	-
	CBT50-ER16M-130	P2802727	0.5 - 10.0	130	22	M10	38	ER16M / ER16	-
	CBT50-ER16M-160	P2802728	0.5 - 10.0	160	22	M10	38	ER16M / ER16	-
	CBT50-ER20M-100	P2802729	0.5 - 13.0	100	28	M12	44.5	ER20M / ER20	-
	CBT50-ER20M-130	P2802730	0.5 - 13.0	130	28	M12	44.5	ER20M / ER20	-
	CBT50-ER20M-160	P2802731	0.5 - 13.0	160	28	M12	44.5	ER20M / ER20	-
	CBT50-ER25M-100	P2802732	1.0 - 16.0	100	35	M12	52	ER25M / ER25	-
	CBT50-ER25M-130	P2802733	1.0 - 16.0	130	35	M12	52	ER25M / ER25	-
CBT50-ER25M-160	P2802734	1.0 - 16.0	160	35	M12	52	ER25M / ER25	-	

- ▶ Balancing grade G2.5 at 25,000RPM or U max. < 1gmm.
- ▶ For applicable ER collet please refer to page D296~D304.
- ▶ For applicable ER nut, Sealing disk, please refer to page D305 & D309.

END MILL HOLDER

FRÄSERFUTTER UND FLÄCHENSPANNFUTTER
 MANDRIN PORTE FRAISE À QUEUE CYLINDRIQUE, À MÉPLAT
 MANDRINI PORTA FRESA TIPO WELDON
 PORTAFRESAS Y EJES DE SUJECCION LATERAL



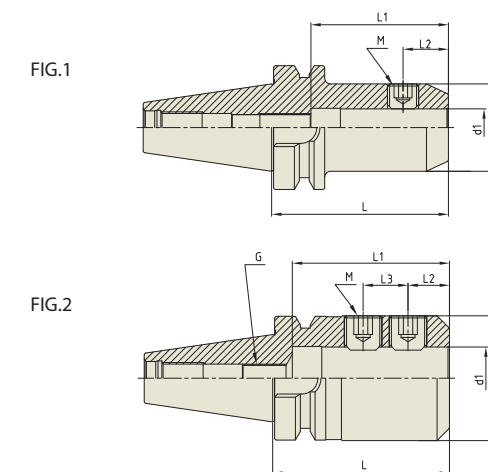
Unit : mm

TAPER No.	MODEL No.	EDP No.	d1	D2	L	L1	L2	L3	M	FIG.	WEIGHT (Kg)
30	CBT30-EMH6-50	P2786001	6	25	50	37	18	-	M6	1	-
	CBT30-EMH8-50	P2786002	8	28	50	37	18	-	M8	1	-
	CBT30-EMH10-50	P2786003	10	35	50	41	20	-	M10	1	-
	CBT30-EMH12-55	P2786004	12	42	55	46	22.5	-	M12	1	-
	CBT30-EMH16-63	P2786005	16	48	63	54	24	-	M14	1	-
	CBT30-EMH20-70	P2786006	20	52	70	53	25	-	M16	1	-
40	CBT40-EMH6-50	P2786007	6	25	50	35	18	-	M6	1	-
	CBT40-EMH6-100	P2786008	6	25	100	35	18	-	M6	1	-
	CBT40-EMH8-50	P2786009	8	28	50	35	18	-	M8	1	-
	CBT40-EMH8-100	P2786010	8	28	100	35	18	-	M8	1	-
	CBT40-EMH10-63	P2786011	10	35	63	36	20	-	M10	1	-
	CBT40-EMH10-100	P2786012	10	35	100	36	20	-	M10	1	-
	CBT40-EMH12-63	P2786013	12	42	63	36	22.5	-	M12	1	-
	CBT40-EMH12-100	P2786014	12	42	100	36	22.5	-	M12	1	-
	CBT40-EMH16-63	P2786015	16	48	63	54	24	-	M14	1	-
	CBT40-EMH16-100	P2786016	16	48	100	54	24	-	M14	1	-
	CBT40-EMH20-63	P2786017	20	52	63	55	25	-	M16	1	-
	CBT40-EMH20-100	P2786018	20	52	100	55	25	-	M16	1	-
CBT40-EMH25-90	P2786019	25	65	90	60	24	25	M18	2	-	
50	CBT50-EMH6-63	P2786020	6	25	63	35	18	-	M6	1	-
	CBT50-EMH8-63	P2786021	8	28	63	35	18	-	M8	1	-
	CBT50-EMH10-70	P2786022	10	35	70	36	20	-	M10	1	-
	CBT50-EMH12-80	P2786023	12	42	80	46	22.5	-	M12	1	-
	CBT50-EMH16-80	P2786024	16	48	80	49	24	-	M14	1	-
	CBT50-EMH20-80	P2786025	20	52	80	52	25	-	M16	1	-
CBT50-EMH25-100	P2786026	25	65	100	60	24	25	M18	2	-	

- ▶ Inch type products are available.
- ▶ Standard End Mill Holder is for a cutting tool with weldon shank and End Mill Holder for a cutting tool with Whistle notch is available upon request.
- ▶ Combi-style Holder with ball jointed clamping screw which can be used with cutting tools with Weldon and Whistle notch shank is available.
- ▶ Balancing grade G2.5 at 25,000RPM or U max. < 1gmm.

SIDE LOCK ARBOR

FRÄSERFUTTER UND FLÄCHENSPANNFUTTER
 MANDRIN PORTE FRAISE À QUEUE CYLINDRIQUE, À MÉPLAT
 MANDRINI PORTA FRESA TIPO WELDON
 PORTAFRESAS Y EJES DE SUJECCION LATERAL



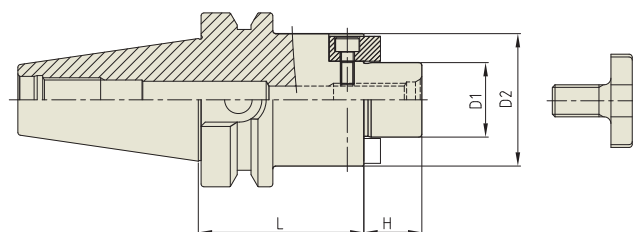
Unit : mm

TAPER No.	MODEL No.	EDP No.	d1	D2	L	L1	L2	L3	M	G	FIG.	WEIGHT (Kg)
30	CBT30-SLA6-60	P2772918	6	25	60	35	18	-	M5	M5	1	0.70
	CBT30-SLA8-60	P2772919	8	28	60	35	18	-	M6	M6	1	0.80
	CBT30-SLA10-60	P2772920	10	35	60	50	14	13	M8	M8	2	0.90
	CBT30-SLA12-60	P2772921	12	40	60	50	14	13	M10	M10	2	1.10
	CBT30-SLA14-60	P2772922	14	40	60	50	14	13	M10	M10	2	1.20
	CBT30-SLA16-75	P2772923	16	40	75	70	25	20	M12	M12	2	1.30
	CBT30-SLA20-75	P2772924	20	50	75	70	25	20	M12	M12	2	1.40
	CBT30-SLA25-75	P2772925	25	50	75	70	25	20	M14	M12	2	1.50
	CBT30-SLA32-105	P2772926	32	60	105	80	25	25	M16	M12	2	1.60
	CBT40-SLA6-60	P2772927	6	25	60	35	18	-	M5	M5	1	1.10
	CBT40-SLA8-60	P2772928	8	28	60	35	18	-	M6	M6	1	1.10
	CBT40-SLA10-60	P2772929	10	35	60	50	14	13	M8	M8	2	1.20
40	CBT40-SLA12-60	P2772930	12	40	60	50	14	13	M10	M10	2	1.40
	CBT40-SLA16-90	P2772931	16	40	90	70	25	20	M12	M10	2	1.50
	CBT40-SLA20-90	P2772901	20	50	90	70	25	20	M12	M12	2	1.80
	CBT40-SLA25-90	P2772902	25	50	90	70	25	20	M14	M12	2	1.70
	CBT40-SLA32-90	P2772903	32	60	90	80	25	25	M16	M12	2	1.90
	CBT40-SLA40-90	P2772904	40	63	90	80	25	25	M16	M12	2	1.80
	CBT40-SLA42-90	P2772905	42	63	90	80	25	25	M16	M12	2	1.80
	CBT50-SLA6-90	P2772906	6	25	90	40	18	-	M5	M5	1	3.70
	CBT50-SLA8-90	P2772907	8	28	90	40	18	-	M6	M6	1	3.90
	CBT50-SLA10-90	P2772908	10	35	90	50	15	15	M8	M8	2	4.10
	CBT50-SLA12-90	P2772909	12	40	90	55	15	15	M10	M10	2	4.30
	CBT50-SLA14-90	P2772910	14	40	90	55	15	15	M10	M10	2	4.30
50	CBT50-SLA16-105	P2772911	16	40	105	70	25	20	M12	M12	2	4.40
	CBT50-SLA20-105	P2772912	20	50	105	70	25	20	M12	M12	2	4.80
	CBT50-SLA25-105	P2772913	25	50	105	70	25	20	M14	M12	2	4.70
	CBT50-SLA32-105	P2772914	32	60	105	80	25	25	M16	M12	2	4.00
	CBT50-SLA40-105	P2772915	40	70	105	80	25	25	M16	M12	2	4.50
	CBT50-SLA42-105	P2772916	42	70	105	80	25	25	M16	M12	2	4.70
	CBT50-SLA50.8-121	P2772917	50.8	95	121	87	33.9	35.8	M20	-	2	5.00

- ▶ Inch type products are available.
- ▶ Standard design of Side Lock Arbor is for cutting tools with straight shank having flat face.
- ▶ Side Lock Arbor is Non-Balancing.

SHELL MILL ARBOR

AUFNAHMEDORN FÜR FRÄSER MIT BOHRUNG
MANDRIN PORTE-FRAISES
MANDRINO CON TRASCINAMENTO FISSO
PORTA FRESAS



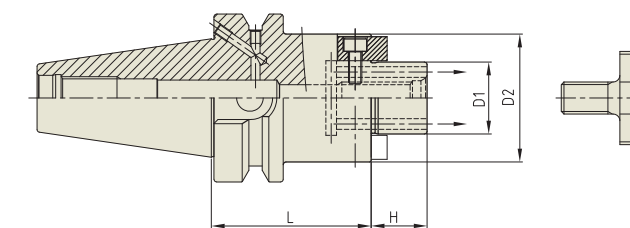
Unit : mm

TAPER No.	MODEL No.	EDP No.	D1	D2	L	H	BOLT	WEIGHT (Kg)
30	CBT30-SMA16-50	P2778701	16	32	50	17	M8x16L	0.58
	CBT30-SMA22-50	P2778702	22	40	50	19	M10x18L	0.70
	CBT30-SMA27-50	P2778703	27	48	50	21	M12x22L	0.85
40	CBT40-SMA16-60	P2778704	16	32	60	17	M8x16L	1.17
	CBT40-SMA16-120	P2778715	16	32	120	17	M8x16L	1.50
	CBT40-SMA22-60	P2778705	22	40	60	19	M10x18L	1.31
	CBT40-SMA22-120	P2778716	22	40	120	19	M10x18L	1.85
	CBT40-SMA27-60	P2778706	27	48	60	21	M12x22L	1.48
	CBT40-SMA27-120	P2778717	27	48	120	21	M12x22L	2.27
50	CBT40-SMA32-60	P2778707	32	58	60	24	M16x26L	1.72
	CBT40-SMA32-120	P2778718	32	58	120	24	M16x26L	2.90
	CBT40-SMA40-60	P2778708	40	70	60	27	M20x30L	2.00
	CBT50-SMA16-75	P2778709	16	32	75	17	M8x16L	3.75
	CBT50-SMA16-120	P2778719	16	32	120	17	M8x16L	4.03
	CBT50-SMA22-75	P2778710	22	40	75	19	M10x18L	3.90
	CBT50-SMA22-120	P2778720	22	40	120	19	M10x18L	4.25
	CBT50-SMA27-75	P2778711	27	48	75	21	M12x22L	4.09
	CBT50-SMA27-120	P2778721	27	48	120	21	M12x22L	4.56
	CBT50-SMA32-75	P2778712	32	58	75	24	M16x26L	4.35
CBT50-SMA32-120	P2778722	32	58	120	24	M16x26L	5.22	
CBT50-SMA40-75	P2778713	40	70	75	27	M20x30L	4.77	
CBT50-SMA40-120	P2778723	40	70	120	27	M20x30L	6.04	
CBT50-SMA50-75	P2778714	50	90	75	30	M24x36L	5.63	

- ▶ Inch type products are available.
- ▶ Balancing grade G2.5 at 25,000RPM or U max. < 1gmm.
- ▶ For parts, please refer to page D311.

SHELL MILL ARBOR (COOLANT CHANNEL & SMALL FACE)

AUFNAHMEDORN FÜR FRÄSER MIT BOHRUNG
MANDRIN PORTE-FRAISES
MANDRINO CON TRASCINAMENTO FISSO
PORTA FRESAS



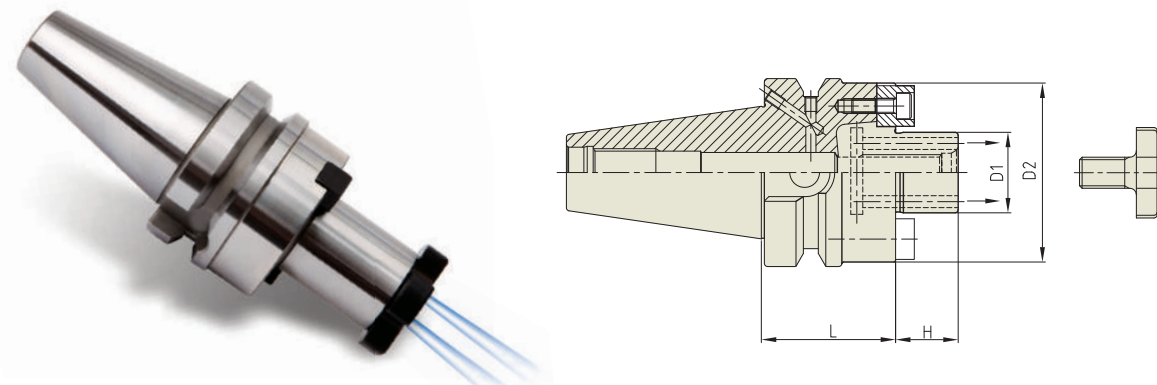
Unit : mm

TAPER No.	MODEL No.	EDP No.	D1	D2	L	H	BOLT	WEIGHT (Kg)
40	CBT40AD/B-SMA16C-60	P2801047C	16	32	60	17	M8x16L	1.20
	CBT40AD/B-SMA16C-120	P2801058C	16	32	120	17	M8x16L	1.20
	CBT40AD/B-SMA22C-60	P2801048C	22	40	60	19	M10x18L	1.27
	CBT40AD/B-SMA22C-120	P2801059C	22	40	120	19	M10x18L	1.84
	CBT40AD/B-SMA27C-60	P2801049C	27	48	60	21	M12x22L	1.44
	CBT40AD/B-SMA27C-120	P2801060C	27	48	120	21	M12x22L	2.26
50	CBT50AD/B-SMA16C-60	P2803407C	16	32	60	17	M8x16L	3.00
	CBT50AD/B-SMA16C-120	P2801062C	16	32	120	17	M8x16L	3.30
	CBT50AD/B-SMA22C-75	P2801053C	22	40	75	19	M10x18L	3.83
	CBT50AD/B-SMA22C-120	P2801063C	22	40	120	19	M10x18L	4.24
	CBT50AD/B-SMA27C-75	P2801054C	27	48	75	21	M12x22L	4.03
	CBT50AD/B-SMA27C-120	P2801064C	27	48	120	21	M12x22L	4.64
	CBT50AD/B-SMA32C-75	P2801055C	32	58	75	24	M16x26L	4.31
	CBT50AD/B-SMA32C-120	P2801065C	32	58	120	24	M16x26L	5.19
	CBT50AD/B-SMA40C-75	P2801056C	40	70	75	27	M20x30L	4.75
	CBT50AD/B-SMA40C-120	P2801066C	40	70	120	27	M20x30L	6.02

- ▶ Inch type products are available.
- ▶ With "Coolant Through" by coolant channels.
- ▶ Balancing grade G2.5 at 25,000RPM or U max. < 1gmm.
- ▶ For parts, please refer to page D311.

SHELL MILL ARBOR (COOLANT CHANNEL & LARGE FACE)

AUFNAHMEDORN FÜR FRÄSER MIT BOHRUNG
MANDRIN PORTE-FRAISES
MANDRINO CON TRASCINAMENTO FISSO
PORTA FRESAS



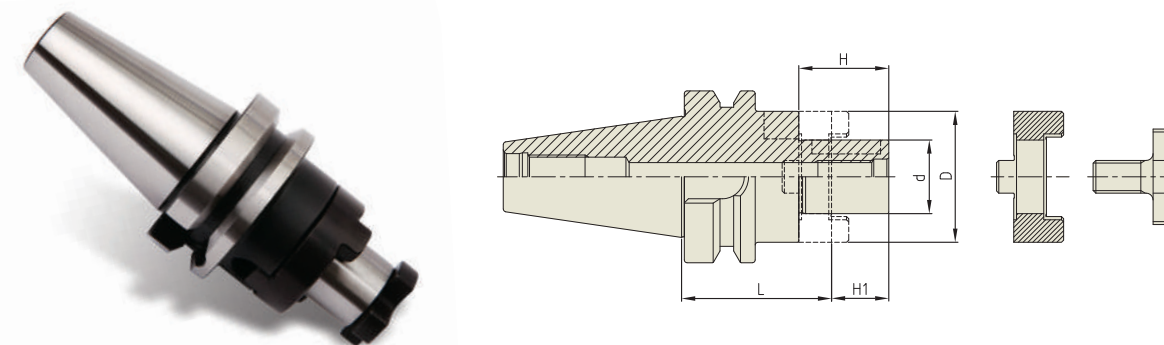
Unit : mm

TAPER No.	MODEL No.	EDP No.	D1	D2	L	H	BOLT	WEIGHT (Kg)
30	CBT30-SMA16CE-40	P2803501CE	16	38	40	17	M8x16L	0.55
	CBT30-SMA22CE-40	P2803502CE	22	48	40	19	M10x18L	0.69
	CBT30-SMA27CE-40	P2803503CE	27	60	40	21	M12x22L	0.85
	CBT30-SMA32CE-45	P2803504CE	32	78	45	24	M16x26L	1.32
40	CBT40AD/B-SMA16CE-50	P2803505CE	16	38	50	17	M10x18L	1.14
	CBT40AD/B-SMA22CE-45	P2803506CE	22	48	45	19	M10x18L	1.22
	CBT40AD/B-SMA27CE-45	P2803507CE	27	60	45	21	M12x22L	1.39
	CBT40AD/B-SMA32CE-50	P2803508CE	32	78	50	24	M16x26L	1.80
	CBT40AD/B-SMA40CE-50	P2803509CE	40	89	50	27	M20x30L	2.05
50	CBT50AD/B-SMA22CE-55	P2803510CE	22	48	55	19	M10x18L	3.72
	CBT50AD/B-SMA27CE-55	P2803511CE	27	60	55	21	M12x22L	3.89
	CBT50AD/B-SMA32CE-55	P2803512CE	32	78	55	24	M16x26L	4.21
	CBT50AD/B-SMA40CE-55	P2803513CE	40	89	55	27	M20x30L	4.52

- ▶ Inch type products are available.
- ▶ With "Coolant Through" by coolant channels.
- ▶ Balancing grade G2.5 at 25,000RPM or U max. < 1gmm.
- ▶ For parts, please refer to page D311.

COMBI-SHELL MILL ARBOR

KOMBI-AUFNAHMEDORN FÜR FRÄSER MIT BOHRUNG
MANDRIN PORTE-FRAISES COMBINÉS
MANDRINO PORTA FRESE
PORTA FRESAS COMBINADO



Unit : mm

TAPER No.	MODEL No.	EDP No.	d	L	D	H1	H	WEIGHT (Kg)
30	CBT30-CMA16-50	P2775601	16	50	32	17	27	0.61
	CBT30-CMA22-50	P2775602	22	50	40	19	31	0.70
	CBT30-CMA27-55	P2775624	27	55	48	21	33	0.92
40	CBT40-CMA16-55	P2775604	16	55	32	17	27	1.14
	CBT40-CMA16-100	P2775615	16	100	32	17	27	1.41
	CBT40-CMA22-55	P2775605	22	55	40	19	31	1.26
	CBT40-CMA22-100	P2775616	22	100	40	19	31	1.68
	CBT40-CMA27-55	P2775606	27	55	48	21	33	1.42
	CBT40-CMA27-100	P2775617	27	100	48	21	33	2.02
	CBT40-CMA32-60	P2775607	32	60	58	24	38	1.72
50	CBT40-CMA32-100	P2775618	32	100	58	24	38	2.51
	CBT40-CMA40-70	P2775625	40	70	70	27	41	2.46
	CBT50-CMA16-70	P2775609	16	70	32	17	27	3.74
	CBT50-CMA16-100	P2775619	16	100	32	17	27	3.92
	CBT50-CMA22-70	P2775610	22	70	40	19	31	3.86
	CBT50-CMA22-100	P2775620	22	100	40	19	31	4.15
	CBT50-CMA27-70	P2775611	27	70	48	21	33	4.04
	CBT50-CMA27-100	P2775621	27	100	48	21	33	4.45
	CBT50-CMA32-70	P2775612	32	70	58	24	38	4.28
	CBT50-CMA32-100	P2775622	32	100	58	24	38	4.86
	CBT50-CMA40-70	P2775613	40	70	70	27	41	4.62
	CBT50-CMA40-100	P2775623	40	100	70	27	41	5.47
	CBT50-CMA50-70	P2775614	50	70	90	30	46	5.48

- ▶ Inch type products are available.
- ▶ Balancing grade G2.5 at 25,000RPM or U max. < 1gmm.
- ▶ For parts, please refer to page D312.

SK (DIN 69871)

CBT (BT DUAL CONTACT)

BT (JIS B6339/MAS 403)

HSK (DIN 69893/ISO 12164)

STRAIGHT

ISO, NT, MTA/MTB, GOST

TOOL HOLDER SET

BORING SYSTEM

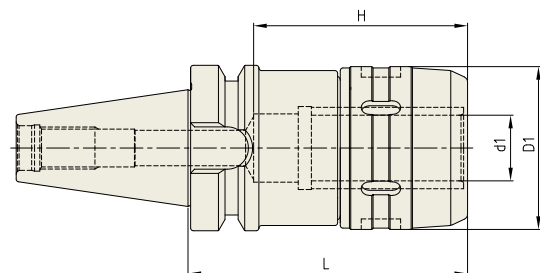
ACCESSORY & PARTS

YG POWER MILLING CHUCK

C

HIGH-SPEED POWER MILLING CHUCK

HOCHGESCHWINDIGKEITS FRÄSERFUTTER
 MANDRIN PORTE FRAISE À GRANDE VITESSE
 MANDRINI PORTA FRESA PER ALTA VELOCITÀ
 PORTAHERRAMIENTAS PARA FRESADO DE ALTA VELOCIDAD



Unit : mm

TAPER No.	MODEL No.	EDP No.	d1	D1	L	H	WEIGHT (Kg)
30	CBT30-C20-75HS	P2773251	20	54	75	70	1.50
	CBT30-C25-80HS	P2773252	25	62	80	70	2.00
40	CBT40-C20-80HS	P2773253	20	54	80	70	2.00
	CBT40-C20-105HS	P2773254	20	54	105	70	2.10
	CBT40-C25-105HS	P2773255	25	62	105	80	2.50
	CBT40-C32-90HS	P2773256	32	72	90	100	3.00
	CBT40-C32-105HS	P2773257	32	72	105	100	3.10
	CBT40-C32-135HS	P2773258	32	72	135	100	3.30
50	CBT50-C20-105HS	P2773259	20	54	105	70	4.50
	CBT50-C20-135HS	P2773260	20	54	135	70	4.90
	CBT50-C20-165HS	P2773261	20	54	165	70	5.40
	CBT50-C25-105HS	P2773262	25	62	105	80	5.20
	CBT50-C25-135HS	P2773263	25	62	135	80	5.80
	CBT50-C25-165HS	P2773264	25	62	165	80	6.20
	CBT50-C32-105HS	P2773265	32	72	105	100	6.00
	CBT50-C32-135HS	P2773266	32	72	135	100	6.70
	CBT50-C32-165HS	P2773267	32	72	165	100	7.40
	CBT50-C42-115HS	P2773268	42	92	115	110	6.70
	CBT50-C42-135HS	P2773269	42	92	135	110	7.60
	CBT50-C42-165HS	P2773270	42	92	165	110	8.30

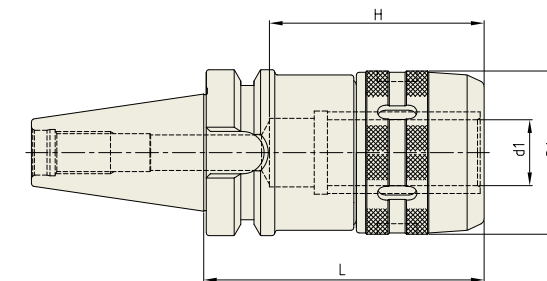
- ▶ Inch type products are available.
- ▶ Balancing Grade is adjusted on Basic holder only without Clamping Cap.
- ▶ For applicable collet and spanner, please refer to the page D314.

YG POWER MILLING CHUCK

C

POWER MILLING CHUCK

FRÄSERSPANNFUTTER
 MANDRIN PORTE FRAISE
 MANDRINI PORTA FRESA
 PORTAHERRAMIENTAS PARA FRESADO



Unit : mm

TAPER No.	MODEL No.	EDP No.	d1	D1	L	H	WEIGHT (Kg)
30	CBT30-C20-75	P2773204	20	54	75	70	1.50
	CBT30-C25-80	P2773205	25	62	80	70	2.00
40	CBT40-C20-80	P2773201	20	54	80	70	2.00
	CBT40-C20-105	P2773206	20	54	105	70	2.10
	CBT40-C25-105	P2773207	25	62	105	80	2.50
	CBT40-C32-90	P2773202	32	72	90	100	3.00
	CBT40-C32-105	P2773203	32	72	105	100	3.10
	CBT40-C32-135	P2773208	32	72	135	100	3.30
50	CBT50-C20-105	P2773209	20	54	105	70	4.50
	CBT50-C20-135	P2773210	20	54	135	70	4.90
	CBT50-C20-165	P2773211	20	54	165	70	5.40
	CBT50-C25-105	P2773212	25	62	105	80	5.20
	CBT50-C25-135	P2773213	25	62	135	80	5.80
	CBT50-C25-165	P2773214	25	62	165	80	6.20
	CBT50-C32-105	P2773215	32	72	105	100	6.00
	CBT50-C32-115	P2773216	32	72	115	100	6.20
	CBT50-C32-135	P2773217	32	72	135	100	6.70
	CBT50-C32-165	P2773218	32	72	165	100	7.40
	CBT50-C42-115	P2773219	42	92	115	110	6.70
	CBT50-C42-135	P2773220	42	92	135	110	7.60
CBT50-C42-165	P2773221	42	92	165	110	8.30	

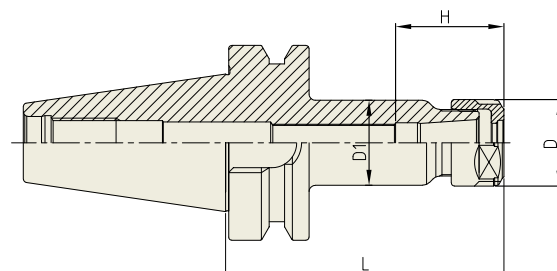
- ▶ Inch type products are available.
- ▶ For applicable collet and spanner, please refer to the page D314.



SKA

SK SLIM CHUCK

SK SCHLANKE FUTTER
MANDRIN TYPE SK MINCE
SK MANDRINI SOTTILI
PORTAHERRAMIENTAS SK EJE REDUCIDO



TAPER No.	MODEL No.	EDP No.	CLAMPING RANGE	L	D	D1	H	COLLET	WEIGHT (Kg)
30	CBT30-SKA06-60	P2775701	1.8 - 6.0	60	20	19.5	31	SKC6	0.70
	CBT30-SKA06-90	P2775702	1.8 - 6.0	90	20	19.5	31	SKC6	0.80
	CBT30-SKA10-60	P2775703	1.75 - 10.0	60	28	27.5	35	SKC10	0.90
	CBT30-SKA10-90	P2775704	1.75 - 10.0	90	28	27.5	35	SKC10	1.00
	CBT30-SKA13-60	P2775705	2.75 - 13.0	60	33	33	43.6	SKC13	1.00
	CBT30-SKA13-90	P2775706	2.75 - 13.0	90	33	33	43.6	SKC13	1.10
	CBT30-SKA16-60	P2775707	2.75 - 16.0	60	40	40	52	SKC16	1.10
	CBT30-SKA16-90	P2775708	2.75 - 16.0	90	40	40	52	SKC16	1.20
	CBT30-SKA20-60	P2775709	3.5 - 20.0	60	48.5	40	59.6	SKC20	1.30
	CBT30-SKA20-90	P2775710	3.5 - 20.0	90	48.5	40	59.6	SKC20	1.40
	CBT30-SKA25-90	P2775711	16.0 - 25.4	90	55	45	63.4	SKC25	1.50
	40	CBT40-SKA06-90	P2775712	1.8 - 6.0	90	20	19.5	31	SKC6
CBT40-SKA06-120		P2775713	1.8 - 6.0	120	20	19.5	31	SKC6	1.40
CBT40-SKA06-150		P2775714	1.8 - 6.0	150	20	19.5	31	SKC6	1.50
CBT40-SKA10-90		P2775715	1.75 - 10.0	90	28	27.5	35	SKC10	1.20
CBT40-SKA10-120		P2775716	1.75 - 10.0	120	28	27.5	35	SKC10	1.40
CBT40-SKA10-150		P2775717	1.75 - 10.0	150	28	27.5	35	SKC10	1.60
CBT40-SKA13-90		P2775718	2.75 - 13.0	90	33	33	43.6	SKC13	1.40
CBT40-SKA13-120		P2775719	2.75 - 13.0	120	33	33	43.6	SKC13	1.60
CBT40-SKA13-150		P2775720	2.75 - 13.0	150	33	33	43.6	SKC13	1.80
CBT40-SKA16-90		P2775721	2.75 - 16.0	90	40	40	52	SKC16	1.50
CBT40-SKA16-120		P2775722	2.75 - 16.0	120	40	40	52	SKC16	1.70
CBT40-SKA16-150		P2775723	2.75 - 16.0	150	40	40	52	SKC16	1.90
50	CBT40-SKA20-90	P2775724	3.5 - 20.0	90	48.5	48.5	59.6	SKC20	1.60
	CBT40-SKA20-120	P2775725	3.5 - 20.0	120	48.5	48.5	59.6	SKC20	2.00
	CBT40-SKA20-150	P2775726	3.5 - 20.0	150	48.5	48.5	59.6	SKC20	2.40
	CBT40-SKA25-90	P2775727	16.0 - 25.4	90	55	55	63.4	SKC25	1.80
	CBT40-SKA25-120	P2775728	16.0 - 25.4	120	55	55	63.4	SKC25	2.00
	CBT40-SKA25-150	P2775729	16.0 - 25.4	150	55	55	63.4	SKC25	2.30

- ▶ Inch type products are available.
- ▶ Balancing grade G2.5 at 25,000RPM or U max. < 1gmm.
- ▶ For applicable Collet, Nut and Spanner, please refer to page D315~D317.

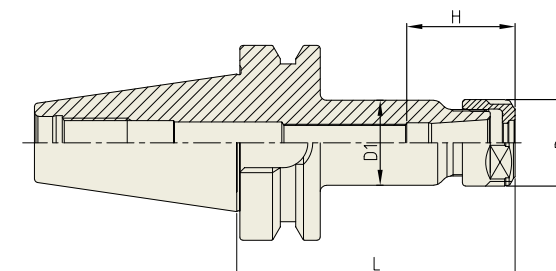
▶ NEXT PAGE



SKA

SK SLIM CHUCK

SK SCHLANKE FUTTER
MANDRIN TYPE SK MINCE
SK MANDRINI SOTTILI
PORTAHERRAMIENTAS SK EJE REDUCIDO



TAPER No.	MODEL No.	EDP No.	CLAMPING RANGE	L	D	D1	H	COLLET	WEIGHT (Kg)
50	CBT50-SKA06-105	P2775730	1.8 - 6.0	105	20	19.5	31	SKC6	3.80
	CBT50-SKA06-135	P2775731	1.8 - 6.0	135	20	19.5	31	SKC6	3.90
	CBT50-SKA06-165	P2775732	1.8 - 6.0	165	20	19.5	31	SKC6	4.00
	CBT50-SKA06-195	P2775733	1.8 - 6.0	195	20	19.5	31	SKC6	4.20
	CBT50-SKA10-105	P2775734	1.75 - 10.0	105	28	27.5	35	SKC10	4.20
	CBT50-SKA10-135	P2775735	1.75 - 10.0	135	28	27.5	35	SKC10	4.40
	CBT50-SKA10-165	P2775736	1.75 - 10.0	165	28	27.5	35	SKC10	4.60
	CBT50-SKA10-195	P2775737	1.75 - 10.0	195	28	27.5	35	SKC10	4.80
	CBT50-SKA13-105	P2775738	2.75 - 13.0	105	33	33	43.6	SKC13	4.50
	CBT50-SKA13-135	P2775739	2.75 - 13.0	135	33	33	43.6	SKC13	4.70
	CBT50-SKA13-165	P2775740	2.75 - 13.0	165	33	33	43.6	SKC13	4.90
	CBT50-SKA13-195	P2775741	2.75 - 13.0	195	33	33	43.6	SKC13	5.20
	CBT50-SKA16-105	P2775742	2.75 - 16.0	105	40	40	52	SKC16	4.70
	CBT50-SKA16-135	P2775743	2.75 - 16.0	135	40	40	52	SKC16	4.90
	CBT50-SKA16-165	P2775744	2.75 - 16.0	165	40	40	52	SKC16	5.10
	CBT50-SKA16-195	P2775745	2.75 - 16.0	195	40	40	52	SKC16	5.50
	CBT50-SKA20-105	P2775746	3.5 - 20.0	105	48.5	48.5	59.6	SKC20	4.30
	CBT50-SKA20-135	P2775747	3.5 - 20.0	135	48.5	48.5	59.6	SKC20	4.60
	CBT50-SKA20-165	P2775748	3.5 - 20.0	165	48.5	48.5	59.6	SKC20	5.00
	CBT50-SKA20-195	P2775749	3.5 - 20.0	195	48.5	48.5	59.6	SKC20	5.40
	CBT50-SKA25-105	P2775750	16.0 - 25.4	105	55	55	63.4	SKC25	5.20
	CBT50-SKA25-135	P2775751	16.0 - 25.4	135	55	55	63.4	SKC25	5.40
	CBT50-SKA25-165	P2775752	16.0 - 25.4	165	55	55	63.4	SKC25	5.60
	CBT50-SKA25-195	P2775753	16.0 - 25.4	195	55	55	63.4	SKC25	6.00

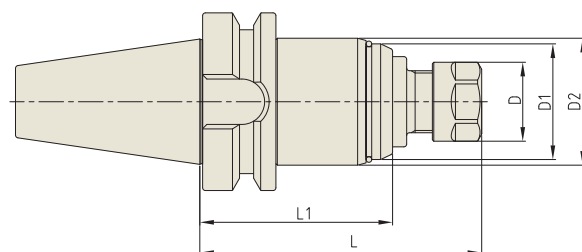
- ▶ Inch type products are available.
- ▶ Balancing grade G2.5 at 25,000RPM or U max. < 1gmm.
- ▶ For applicable Collet, Nut and Spanner, please refer to page D315~D317.

YG TAPPING ER CHUCK

TER

TAPPING ER CHUCK

ER - GEWINDESCHNEIDFUTTER
 MANDRIN DE TARAUDAGE PINCE ER
 MANDRINI PORTAPINZA ER PER MASCHIATURA
 PORTAPINZAS ER PARA MACHOS



Unit : mm

TAPER No.	MODEL No.	EDP No.	D	D1	D2	L	L1	NUT / COLLET	WEIGHT (Kg)
40	CBT40-TER16-100	P2774151	28	41	45	100	68.4	ER16	1.45
	CBT40-TER16-150	P2774152	28	41	45	150	118.4	ER16	2.00
	CBT40-TER32-110	P2774153	50	58	63	110	72	ER32	2.20
50	CBT40-TER32-150	P2774154	50	58	63	150	112	ER32	2.70
	CBT50-TER16-115	P2774155	28	41	45	115	79.4	ER16	3.95
	CBT50-TER16-150	P2774156	28	41	45	150	114.4	ER16	4.35
	CBT50-TER32-120	P2774157	50	58	63	120	83	ER32	4.70
	CBT50-TER32-150	P2774158	50	58	63	150	113	ER32	5.20

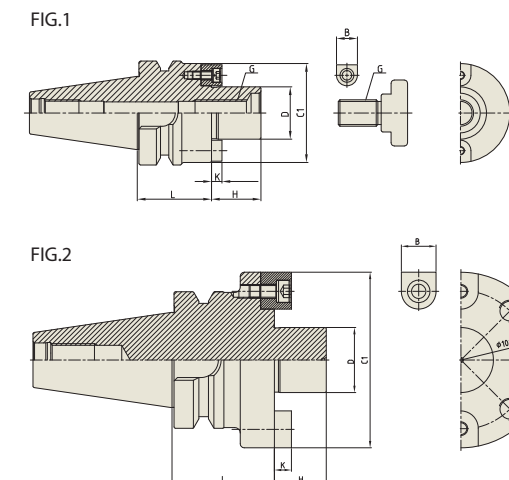
- ▶ Inch type products are available.
- ▶ ER collet of page D296~D302 and Tap ER collet of page D303~D304 are applicable.

YG FACE MILL ARBOR

FMA

FACE MILL ARBOR

AUFNAHMEDORN FÜR MESSERKÖPFE
 ARBRE PORTE FRAISE À ALÉSAGE
 MANDRINO PORTA FRESE FRONTALE
 EJE PARA PLATOS DE PLACAS



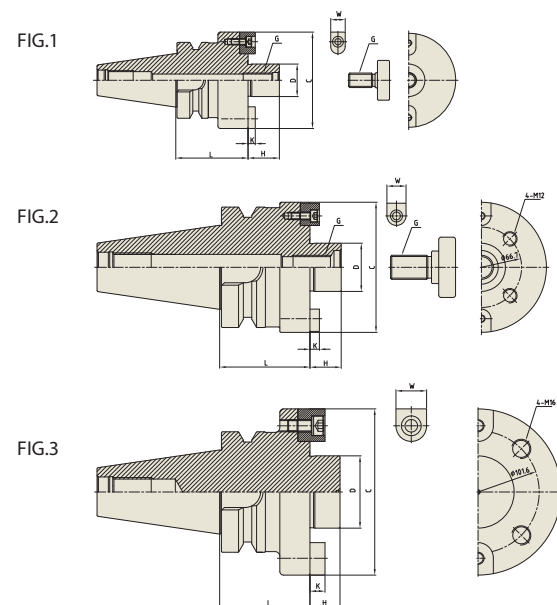
Unit : mm

TAPER No.	MODEL No.	EDP No.	D	L	C1	H	B	K	G	FIG.	WEIGHT (Kg)
30	CBT30-FMA25.4-45	P2779201	25.4	45	50	22	9.52	4.8	M12	1	1.10
	CBT30-FMA31.75-45	P2779202	31.75	45	60	30	12.7	6.35	M16	1	1.20
40	CBT40-FMA25.4-45	P2779203	25.4	45	50	22	9.52	4.8	M12	1	1.50
	CBT40-FMA25.4-90	P2779204	25.4	90	50	22	9.52	4.8	M12	1	3.10
	CBT40-FMA31.75-45	P2779205	31.75	45	60	30	12.7	6.35	M16	1	1.90
	CBT40-FMA31.75-75	P2779206	31.75	75	60	30	12.7	6.35	M16	1	2.70
	CBT40-FMA38.1-60	P2779207	38.1	60	80	34	15.87	8.87	M20	1	2.90
	CBT50-FMA25.4-45	P2779208	25.4	45	50	22	9.52	4.8	M12	1	3.70
	CBT50-FMA25.4-90	P2779209	25.4	90	50	22	9.52	4.8	M12	1	4.60
	CBT50-FMA25.4-150	P2779210	25.4	150	50	22	9.52	4.8	M12	1	5.50
	CBT50-FMA31.75-45	P2779211	31.75	45	60	30	12.7	6.35	M16	1	4.50
	CBT50-FMA31.75-75	P2779212	31.75	75	60	30	12.7	6.35	M16	1	5.30
50	CBT50-FMA31.75-105	P2779213	31.75	105	60	30	12.7	6.35	M16	1	5.80
	CBT50-FMA31.75-150	P2779214	31.75	150	60	30	12.7	6.35	M16	1	6.30
	CBT50-FMA38.1-45	P2779215	38.1	45	80	34	15.87	8.87	M20	1	4.30
	CBT50-FMA38.1-75	P2779216	38.1	75	80	34	15.87	8.87	M20	1	5.60
	CBT50-FMA38.1-105	P2779217	38.1	105	80	34	15.87	8.87	M20	1	6.00
	CBT50-FMA38.1-150	P2779218	38.1	150	80	34	15.87	8.87	M20	1	6.50
	CBT50-FMA50.8-45	P2779219	50.8	45	98	36	19.05	11	M24	1	4.90
	CBT50-FMA50.8-75	P2779220	50.8	75	98	36	19.05	11	M24	1	6.80
	CBT50-FMA47.625-75	P2779221	47.625	75	128.57	38	25.4	12.5	-	2	7.70

- ▶ Fig. 2 : Without "Coolant Through".
- ▶ Balancing grade G2.5 at 25,000RPM or U max. < 1gmm.
- ▶ For parts, please refer to page D313.

FACE MILL ARBOR

AUFNAHMEDORN FÜR MESSERKÖPFE
ARBRE PORTE FRAISE À ALÉSAGE
MANDRINO PORTA FRESE FRONTALE
EJE PARA PLATOS DE PLACAS



◆ METRIC TYPE

Unit : mm

TAPER No.	MODEL No.	EDP No.	D	L	C	H	W	K	G	FIG.	WEIGHT (Kg)
30	CBT30-FMB27-45	P2779316	27	45	80	26	12	6	M12	1	2.10
	CBT40-FMB27-60	P2779269	27	60	80	26	12	6	M12	1	2.50
40	CBT40-FMB27-90	P2779270	27	90	80	26	12	6	M12	1	4.70
	CBT40-FMB40-60	P2779271	40	60	85	26	15.87	7	M20	1	7.40
50	CBT50-FMB27-45	P2779272	27	45	80	26	12	6	M12	1	4.00
	CBT50-FMB27-90	P2779273	27	90	80	26	12	6	M12	1	5.80
	CBT50-FMB27-150	P2779274	27	150	80	26	12	6	M12	1	8.20
	CBT50-FMB40-45	P2779275	40	45	85	26	15.87	7.8	M20	1	4.70
	CBT50-FMB40-75	P2779276	40	75	85	26	15.87	7	M20	1	6.10
	CBT50-FMB40-105	P2779277	40	105	85	26	15.87	7	M20	1	8.10
	CBT50-FMB40F-75	P2779278	40	75	108	26	15.87	7.87	M20	2	6.60
	CBT50-FMB60-75	P2779279	60	75	138	25	25.4	12.5	-	3	7.90

◆ INCH TYPE

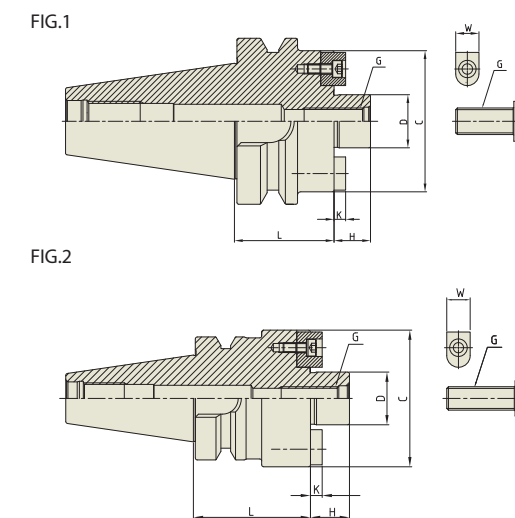
Unit : mm

TAPER No.	MODEL No.	EDP No.	D	L	C	H	W	K	G	FIG.	WEIGHT (Kg)
30	CBT30-FMB25.4-45	P2779314	25.4	45	80	26	9.5	5	M12	1	2.10
	CBT40-FMB25.4-60	P2779281	25.4	60	80	26	9.5	5	M12	1	2.50
40	CBT40-FMB25.4-90	P2779282	25.4	90	80	26	9.5	5	M12	1	4.70
	CBT40-FMB38.1-60	P2779283	38.1	60	85	26	15.9	9	M20	1	7.40
50	CBT50-FMB25.4-45	P2779284	25.4	45	80	26	9.5	5	M12	1	4.00
	CBT50-FMB25.4-90	P2779285	25.4	90	80	26	9.5	5	M12	1	5.80
	CBT50-FMB25.4-150	P2779286	25.4	150	80	26	9.5	5	M12	1	8.20
	CBT50-FMB38.1-45	P2779287	38.1	45	85	26	15.9	9	M20	1	4.70
	CBT50-FMB38.1-75	P2779288	38.1	75	85	26	15.9	9	M20	1	6.10
	CBT50-FMB38.1-105	P2779289	38.1	105	85	26	15.9	9	M20	1	8.70
	CBT50-FMB38.1F-75	P2779290	38.1	75	110	26	15.9	9	M20	2	6.60

- ▶ Fig. 3 : Without "Coolant Through".
- ▶ Balancing grade G2.5 at 25,000RPM or U max. < 1gmm.
- ▶ For parts, please refer to page D313.

FACE MILL ARBOR

AUFNAHMEDORN FÜR MESSERKÖPFE
ARBRE PORTE FRAISE À ALÉSAGE
MANDRINO PORTA FRESE FRONTALE
EJE PARA PLATOS DE PLACAS



◆ METRIC TYPE

Unit : mm

TAPER No.	MODEL No.	EDP No.	D	L	C	H	W	K	G	FIG.	WEIGHT (Kg)
30	CBT30-FMC22-45	P2776131	22	45	45	18	10	5	M10	1	0.80
	CBT40-FMC22-45	P2776132	22	45	45	18	10	5	M10	1	1.30
40	CBT40-FMC27-60	P2776133	27	60	70	20	12	6	M12	2	1.50
	CBT40-FMC32-60	P2776134	32	60	83	22	14	7	M16	2	2.30
	CBT50-FMC22-60	P2776135	22	60	45	18	10	5	M10	1	4.20
50	CBT50-FMC22-105	P2776136	22	105	45	18	10	5	M10	1	4.70
	CBT50-FMC22-150	P2776137	22	150	45	18	10	5	M10	1	5.30
	CBT50-FMC27-45	P2776138	27	45	70	20	12	6	M12	1	4.10
	CBT50-FMC27-90	P2776139	27	90	70	20	12	6	M12	1	5.50
	CBT50-FMC27-150	P2776140	27	150	70	20	12	6	M12	1	7.30
	CBT50-FMC32-60	P2776141	32	60	85	22	14	7	M16	1	4.20
	CBT50-FMC32-105	P2776142	32	105	85	22	14	7	M16	1	5.50
	CBT50-FMC32-150	P2776143	32	150	85	22	14	7	M16	1	7.00

◆ INCH TYPE

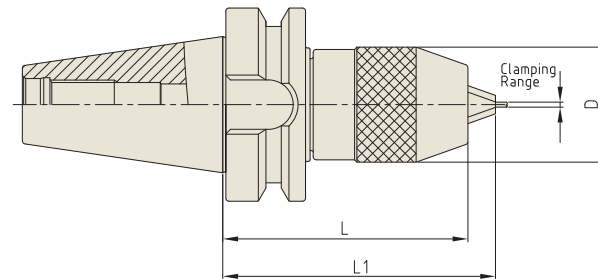
Unit : mm

TAPER No.	MODEL No.	EDP No.	D	L	C	H	W	K	G	FIG.	WEIGHT (Kg)
30	CBT30-FMC25.4-45	P2776144	25.4	45	70	20	9.5	6	M12	2	1.10
	CBT40-FMC25.4-60	P2776145	25.4	60	70	20	9.5	6	M12	2	1.50
40	CBT40-FMC25.4-90	P2776146	25.4	90	70	20	9.5	6	M12	2	2.20
	CBT40-FMC38.1-60	P2776147	38.1	60	85	22	15.9	7	M16	2	2.30
	CBT40-FMC38.1-75	P2776148	38.1	75	85	22	15.9	7	M16	2	2.60
50	CBT50-FMC25.4-45	P2776149	25.4	45	70	20	9.5	6	M12	1	4.10
	CBT50-FMC25.4-90	P2776150	25.4	90	70	20	9.5	6	M12	1	5.50
	CBT50-FMC25.4-150	P2776151	25.4	150	70	20	9.5	6	M12	1	7.30
	CBT50-FMC38.1-45	P2776152	38.1	45	85	22	15.9	7	M16	1	4.20
	CBT50-FMC38.1-75	P2776153	38.1	75	85	22	15.9	7	M16	1	5.50
	CBT50-FMC38.1-105	P2776154	38.1	105	85	22	15.9	7	M16	1	7.00

- ▶ Balancing grade G2.5 at 25,000RPM or U max. < 1gmm.
- ▶ For parts, please refer to page D313.

NC DRILL CHUCK (KEYLESS TYPE)

NC - BOHRFUTTER
 MANDRIN DE PERÇAGE NC
 NC MANDRINI PORTA PUNTE
 PORTABROCAS PARA BROCAS NC



Unit : mm

TAPER No.	MODEL No.	EDP No.	CLAMPING RANGE	D	L (Min.)	L1 (Max.)	WEIGHT (Kg)
30	CBT30-NPU8-75	P2776066	0.3 - 8.0	36.5	75	80.7	0.80
	CBT30-NPU13-105	P2776067	1.0 - 13.0	50.4	105	115	1.80
40	CBT40-NPU8-80	P2776068	0.3 - 8.0	36.5	80	85.7	1.50
	CBT40-NPU8-110	P2776054	0.3 - 8.0	36.5	110	115.7	1.80
	CBT40-NPU8-150	P2776055	0.3 - 8.0	36.5	150	155.7	2.60
	CBT40-NPU13-95	P2776069	1.0 - 13.0	50.4	95	105	2.10
	CBT40-NPU13-130	P2776057	1.0 - 13.0	50.4	130	140	2.70
	CBT40-NPU13-150	P2776058	1.0 - 13.0	50.4	150	160	3.40
50	CBT50-NPU8-90	P2776059	0.3 - 8.0	36.5	90	95.7	4.20
	CBT50-NPU8-110	P2776060	0.3 - 8.0	36.5	110	115.7	4.50
	CBT50-NPU8-170	P2776061	0.3 - 8.0	36.5	170	175.7	5.20
	CBT50-NPU13-105	P2776070	1.0 - 13.0	50.4	105	115	4.80
	CBT50-NPU13-130	P2776063	1.0 - 13.0	50.4	130	140	5.20
	CBT50-NPU13-150	P2776064	1.0 - 13.0	50.4	150	160	5.50
	CBT50-NPU13-190	P2776065	1.0 - 13.0	50.4	190	200	5.90

► Supplied with hook wrench. (Size NPU 8 : 8S, NPU 13 : 13S)

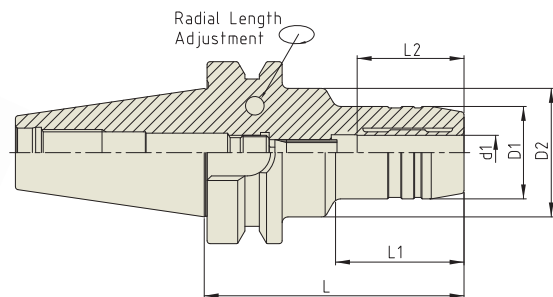
YG-1 TOOLING SYSTEM

BT
(JIS B6339/MAS 403)



- HYDRAULIC CHUCK
- SHRINK FIT HOLDER
- ER COLLET CHUCK
- END MILL HOLDER (SIDE LOCK ARBOR)
- SHELL MILL ARBOR
- COMBI-SHELL MILL ARBOR
- POWER MILLING CHUCK
- MORSE TAPER ARBOR
- SK SLIM CHUCK
- SYNCHRO TAPPING CHUCK
- ONE STEP TAPPING CHUCK
- TAPPING ER CHUCK
- TAPPING CHUCK
- FACE MILL ARBOR
- COPY MILL ARBOR
- INDEXABLE DRILL HOLDER
- NC DRILL CHUCK
- SIDE CUTTER ARBOR
- JACOBS TAPER ARBOR
- BLANK BAR
- TEST BAR

HYDRAULIC CHUCK (RADIAL TOOL LENGTH PRE-SETTING TYPE)
 HYDRAULIK SPANNFUTTER (RADIALE WERKZEUGLÄGEN VOREINSTELLUNG)
 MANDRIN HYDRAULIQUE (BANC DE PRÉ-RÉGLAGE RADIAL)
 MANDRINI IDRAULICI (UTENSILI RADIALI PER AZZERAMENTO)
 PORTAHERRAMIENTAS HIDRAULICO (AJUSTE DE LONGITUD TIPO PRE-SETTING)

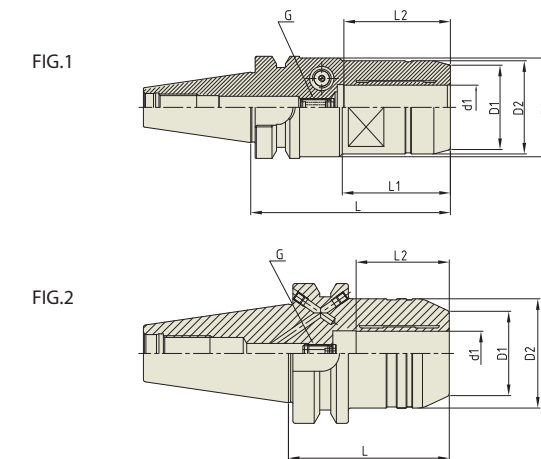


Unit : mm

TAPER No.	MODEL No.	EDP No.	d1	D1	D2	L	L1	L2	WEIGHT (Kg)
30	BT30-HCR12-85	P2777102A	12	32	44.5	85	40	37	0.90
	BT30-HCR20-85	P2777103A	20	44	44	85	-	42	1.00
40	BT40AD/B-HCR12-90	P2777104	12	32	44.5	90	42.5	37	1.50
	BT40AD/B-HCR20-90	P2554008	20	42	44.5	90	47.5	42	1.60
	BT40AD/B-HCR32-105	P2777105	32	60	60	105	-	55	2.20
50	BT50AD/B-HCR12-95	P2777106A	12	32	44.5	95	34	37	3.90
	BT50AD/B-HCR20-100	P2777101	20	42	44.5	100	44	42	4.00
	BT50AD/B-HCR32-115	P2777107	32	60	60	115	-	55	4.10

- ▶ Inch type products are available.
- ▶ Balancing grade G2.5 at 25,000RPM or U max. < 1gmm.
- ▶ Supplied with clamping T-wrench.
- ▶ For applicable Hydraulic Chuck collet, please refer to page D291~D294.

HYDRAULIC CHUCK (Power E Hydro)
 HYDRAULIK SPANNFUTTER (POWER E HYDRO)
 MANDRIN HYDRAULIQUE (POWER E HYDRO)
 MANDRINI IDRAULICI (POWER E HYDRO)
 PORTAHERRAMIENTAS HIDRAULICO (POWER E HYDRO)



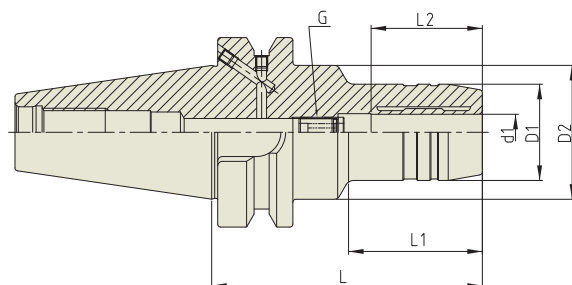
Unit : mm

TAPER No.	MODEL No.	EDP No.	d1	D1	D2	D3	L	L1	L2	G	FIG.	WEIGHT (Kg)
30	BT30-HC12P-69	P2776604P	12	32	42	44.5	69	30.75	41	M8x1.0	1	0.80
	BT30-HC20P-90	P2776602P	20	38	42	44.5	90	48.75	48	M8x1.0	1	0.90
40	BT40AD/B-HC12P-58	P2776601P	12	32	42	-	58	-	41	M8x1.0	2	1.10
	BT40AD/B-HC20P-72.5	P2554001P	20	39.25	49.25	-	72.5	-	48	M8x1.0	2	1.40
50	BT50AD/B-HC20P-83.5	P2755010P	20	39.25	49.25	-	83.5	-	48	M8x1.0	2	3.90
	BT50AD/B-HC32P-90	P2558001P	32	58.5	72	-	90	-	57	M8x1.0	2	4.60

- ▶ Inch type products are available.
- ▶ Balancing grade G2.5 at 25,000RPM or U max. < 1gmm.
- ▶ Supplied with clamping T-wrench.
- ▶ For applicable Hydraulic Chuck collet, please refer to page D291~D294.

HYDRAULIC CHUCK (STANDARD)

HYDRAULIK SPANNFUTTER (STANDARD)
 MANDRIN HYDRAULIQUE (STANDARD)
 MANDRINI IDRAULICI (STANDARD)
 PORTAHERRAMIENTAS HIDRAULICO (ESTÁNDAR)



Unit : mm

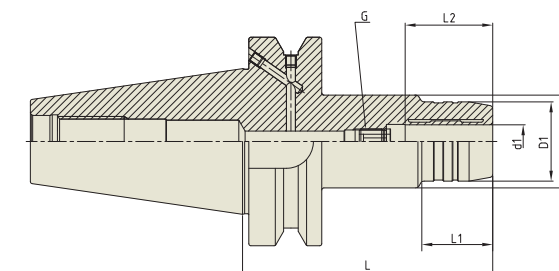
TAPER No.	MODEL No.	EDP No.	d1	D1	D2	L	L1	L2	G	WEIGHT (Kg)
30	BT30-HC6-70	P2770604A	6	26	44.5	70	29.5	27	M5x0.8	0.65
	BT30-HC8-70	P2770605A	8	28	44.5	70	30	27	M6x1.0	0.65
	BT30-HC10-75	P2770606A	10	30	44.5	75	31	32	M8x1.0	0.73
	BT30-HC12-85	P2770607A	12	32	45	85	45	37	M10x1.0	0.80
	BT30-HC14-85	P2770608A	14	34	45	85	45	37	M10x1.0	0.80
	BT30-HC16-90	P2770601A	16	38	45	90	50	42	M10x1.0	0.90
	BT30-HC18-90	P2770609A	18	40	45	90	50	42	M10x1.0	0.90
	BT30-HC20-90	P2770602A	20	42	45	90	50	42	M6x1.0	0.90
40	BT40AD/B-HC6-90	P2554003	6	26	44.5	90	43	27	M5x0.8	1.30
	BT40AD/B-HC8-90	P2554021	8	28	44.5	90	44.5	27	M6x1.0	1.30
	BT40AD/B-HC10-90	P2554005	10	30	44.5	90	44.5	32	M8x1.0	1.35
	BT40AD/B-HC12-90	P2554002	12	32	44.5	90	44.5	37	M10x1.0	1.35
	BT40AD/B-HC14-90	P2770610	14	34	44.5	90	44.5	37	M10x1.0	1.35
	BT40AD/B-HC16-90	P2554006	16	38	44.5	90	47.5	42	M12x1.0	1.40
	BT40AD/B-HC18-90	P2770611	18	40	44.5	90	47.5	42	M12x1.0	1.45
	BT40AD/B-HC20-90	P2554007	20	42	44.5	90	47.5	42	M16x1.0	1.50
	BT40AD/B-HC25-100	P2770641	25	50	60	100	47.5	48	M16x1.0	1.70
	BT40AD/B-HC32-105	P2770612	32	60	-	105	-	55	M16x1.0	2.10

- ▶ Inch type products are available.
- ▶ Balancing grade G2.5 at 25,000RPM or U max. < 1gmm.
- ▶ Supplied with clamping T-wrench.
- ▶ For applicable Hydraulic Chuck collet, please refer to page D291~D294.

▶ NEXT PAGE

HYDRAULIC CHUCK (STANDARD)

HYDRAULIK SPANNFUTTER (STANDARD)
 MANDRIN HYDRAULIQUE (STANDARD)
 MANDRINI IDRAULICI (STANDARD)
 PORTAHERRAMIENTAS HIDRAULICO (ESTÁNDAR)



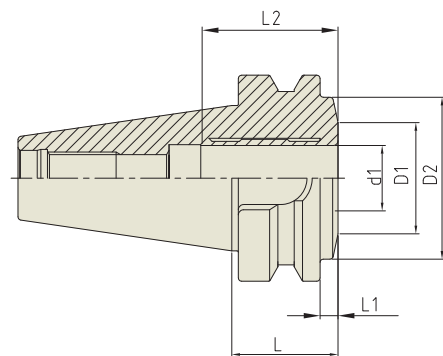
Unit : mm

TAPER No.	MODEL No.	EDP No.	d1	D1	D2	L	L1	L2	G	WEIGHT (Kg)
50	BT50AD/B-HC6-90	P2770613	6	26	44.5	90	34	27	M5x0.8	3.75
	BT50AD/B-HC6-120	P2770614	6	26	44.5	120	34	27	M5x0.8	4.10
	BT50AD/B-HC6-150	P2770615	6	26	44.5	150	34	27	M5x0.8	4.70
	BT50AD/B-HC8-90	P2770616	8	28	44.5	90	34	27	M6x1.0	3.75
	BT50AD/B-HC8-120	P2770617	8	28	44.5	120	34	27	M6x1.0	4.10
	BT50AD/B-HC8-150	P2770618	8	28	44.5	150	34	27	M6x1.0	4.10
	BT50AD/B-HC10-90	P2770619	10	30	44.5	90	34	32	M8x1.0	3.90
	BT50AD/B-HC10-120	P2770620	10	30	44.5	120	34	32	M8x1.0	4.30
	BT50AD/B-HC10-150	P2770621	10	30	44.5	150	34	32	M8x1.0	4.90
	BT50AD/B-HC12-90	P2770622	12	32	44.5	90	34	37	M10x1.0	3.90
	BT50AD/B-HC12-120	P2770623	12	32	44.5	120	34	37	M10x1.0	4.30
	BT50AD/B-HC12-150	P2770624	12	32	44.5	150	34	37	M10x1.0	4.90
	BT50AD/B-HC14-90	P2770625	14	34	44.5	90	34	37	M10x1.0	3.90
	BT50AD/B-HC14-120	P2770626	14	34	44.5	120	34	37	M10x1.0	4.30
	BT50AD/B-HC14-150	P2770627	14	34	44.5	150	34	37	M10x1.0	4.90
	BT50AD/B-HC16-90	P2770628	16	38	44.5	90	34	42	M12x1.0	4.00
	BT50AD/B-HC16-120	P2770629	16	38	44.5	120	34	42	M12x1.0	4.40
	BT50AD/B-HC16-150	P2770630	16	38	44.5	150	34	42	M12x1.0	5.00
	BT50AD/B-HC18-90	P2770631	18	40	44.5	90	34	42	M12x1.0	4.00
	BT50AD/B-HC18-120	P2770632	18	40	44.5	120	34	42	M12x1.0	4.40
	BT50AD/B-HC18-150	P2770633	18	40	44.5	150	34	42	M12x1.0	5.00
	BT50AD/B-HC20-90	P2770634	20	42	44.5	90	34	42	M16x1.0	4.00
	BT50AD/B-HC20-120	P2770635	20	42	44.5	120	34	42	M16x1.0	4.40
	BT50AD/B-HC20-150	P2770636	20	42	44.5	150	34	42	M16x1.0	5.00
BT50AD/B-HC25-105	P2770637	25	57	63	105	52	48	M16x1.0	4.40	
BT50AD/B-HC25-150	P2770638	25	57	63	150	97	48	M16x1.0	5.60	
BT50AD/B-HC32-115	P2770639	32	64	75	115	62	55	M16x1.0	4.70	
BT50AD/B-HC32-150	P2770640	32	64	75	150	97	55	M16x1.0	6.00	

- ▶ Inch type products are available.
- ▶ Balancing grade G2.5 at 25,000RPM or U max. < 1gmm.
- ▶ Supplied with clamping T-wrench.
- ▶ For applicable Hydraulic Chuck collet, please refer to page D291~D294.

HYDRAULIC CHUCK (ULTRA SHORT)

HYDRAULIK SPANNFUTTER (KURZ)
MANDRIN HYDRAULIQUE (COURT)
MANDRINI IDRAULICI (CORTO)
PORTAHERRAMIENTAS HIDRAULICO (CORTO)



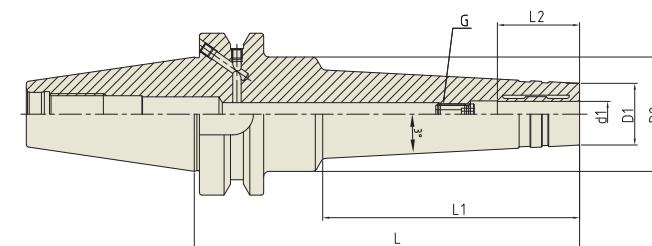
Unit : mm

TAPER No.	MODEL No.	EDP No.	d1	D1	D2	L	L1	L2	WEIGHT (Kg)
40	BT40-HC20-32.5	P2770642	20	34	49.5	32.5	5.5	42	0.99
50	BT50-HC32-50	P2770650	32	49	70.5	50	12	55	3.73

- ▶ Inch type products are available.
- ▶ Balancing grade G2.5 at 25,000RPM or U max. < 1gmm.
- ▶ Supplied with clamping T-wrench.
- ▶ For applicable Hydraulic Chuck collet, please refer to page D291~D294.

HYDRAULIC CHUCK (SLIM)

HYDRAULIK SPANNFUTTER FÜR DEN FORMENBAU
MANDRIN HYDRAULIQUE POUR MOULISTE
MANDRINI IDRAULICI PER STAMPAGGIO
PORTAHERRAMIENTAS HIDRAULICO PARA MOLDES



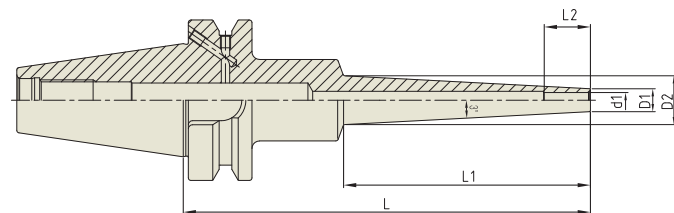
Unit : mm

TAPER No.	MODEL No.	EDP No.	d1	D1	D2	L	L1	L2	G	WEIGHT (Kg)
40	BT40AD/B-HMC6-120	P2770903	6	20	44.5	120	70	27	M5×0.8	1.40
	BT40AD/B-HMC6-150	P2770904	6	20	44.5	150	100	27	M5×0.8	1.65
	BT40AD/B-HMC8-120	P2770905	8	22	44.5	120	70	27	M6×1.0	1.40
	BT40AD/B-HMC8-150	P2770906	8	22	44.5	150	100	27	M6×1.0	1.65
	BT40AD/B-HMC10-120	P2770907	10	24	44.5	120	70	32	M8×1.0	1.40
	BT40AD/B-HMC10-150	P2770908	10	24	44.5	150	100	32	M8×1.0	1.65
	BT40AD/B-HMC12-120	P2770901	12	25	44.5	120	70	37	M10×1.0	1.40
	BT40AD/B-HMC12-150	P2770909	12	25	44.5	150	100	37	M10×1.0	1.65
	BT40AD/B-HMC14-120	P2784200	14	27	44.5	120	70	37	M10×1.0	1.40
	BT40AD/B-HMC14-150	P2784201	14	27	44.5	150	100	37	M10×1.0	1.65
	BT40AD/B-HMC16-120	P2770910	16	32	44.5	120	70	42	M12×1.0	1.45
	BT40AD/B-HMC16-150	P2770911	16	32	44.5	150	100	42	M12×1.0	1.70
50	BT40AD/B-HMC20-120	P2770902	20	34	43.8	120	93	42	M16×1.0	1.50
	BT40AD/B-HMC20-150	P2770912	20	34	46.9	150	123	42	M16×1.0	1.80
	BT50AD/B-HMC6-150	P2770913	6	20	50	150	90	27	M5×0.8	4.70
	BT50AD/B-HMC8-150	P2770914	8	22	50	150	90	27	M6×1.0	4.70
	BT50AD/B-HMC10-150	P2770915	10	24	50	150	90	32	M8×1.0	4.70
	BT50AD/B-HMC12-150	P2770916	12	25	50	150	90	37	M10×1.0	4.70
	BT50AD/B-HMC14-150	P2784202	14	27	50	150	90	37	M10×1.0	4.70
	BT50AD/B-HMC16-150	P2770917	16	32	50	150	90	42	M12×1.0	4.90
BT50AD/B-HMC20-150	P2770918	20	34	50	150	90	42	M16×1.0	5.00	

- ▶ Balancing grade G2.5 at 25,000RPM or U max. < 1gmm.
- ▶ Supplied with clamping T-wrench.
- ▶ For applicable Hydraulic Chuck collet, please refer to page D291~D294.

SHRINK FIT HOLDER (EXTRA SLIM)

SCHRUMPFUTTER
MANDRIN DE FRETTAGE
MADRINI PER CALLETAMENTO A CALDO
PORTAHERRAMIENTAS DE COMPRESION POR CALOR



Unit : mm

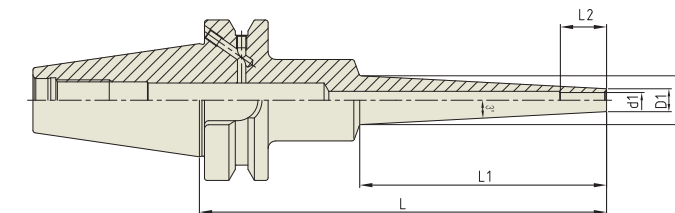
TAPER No.	MODEL No.	EDP No.	d1	D1	D2	L	L1	L2	WEIGHT (Kg)
30	BT30-SFHS3-60	P2779851S	3	6	20	60	22	9	-
	BT30-SFHS3-80	P2779852S	3	6	25	80	42	9	-
	BT30-SFHS3-120	P2779853S	3	6	25	120	67	9	-
	BT30-SFHS4-60	P2779854S	4	7	20	60	22	12	-
	BT30-SFHS4-80	P2779855S	4	7	25	80	42	12	-
	BT30-SFHS4-120	P2779856S	4	7	25	120	67	12	-
	BT30-SFHS6-60	P2779857S	6	9	20	60	22	18	-
	BT30-SFHS6-80	P2779858S	6	9	25	80	42	18	-
	BT30-SFHS6-120	P2779859S	6	9	25	120	67	18	-
	40	BT40AD/B-SFHS3-95	P2779860S	3	6	25	95	42	9
BT40AD/B-SFHS3-120		P2779861S	3	6	25	120	67	9	-
BT40AD/B-SFHS3-160		P2779862S	3	6	25	160	97	9	-
BT40AD/B-SFHS4-95		P2779863S	4	7	25	95	42	12	-
BT40AD/B-SFHS4-120		P2779864S	4	7	25	120	67	12	-
BT40AD/B-SFHS4-160		P2779865S	4	7	32	160	97	12	-
BT40AD/B-SFHS6-95		P2779866S	6	9	25	95	42	18	-
BT40AD/B-SFHS6-120		P2779867S	6	9	25	120	67	18	-
BT40AD/B-SFHS6-160		P2779868S	6	9	32	160	97	18	-
BT40AD/B-SFHS8-95		P2779869S	8	11	25	95	42	24	-
BT40AD/B-SFHS8-120		P2779870S	8	11	32	120	67	24	-
BT40AD/B-SFHS8-160		P2779871S	8	11	32	160	97	24	-
BT40AD/B-SFHS10-95		P2779872S	10	13	25	95	42	30	-
BT40AD/B-SFHS10-120		P2779873S	10	13	32	120	67	30	-
BT40AD/B-SFHS10-160		P2779874S	10	13	32	160	97	30	-
BT40AD/B-SFHS12-95		P2779875S	12	15	32	95	42	30	-
BT40AD/B-SFHS12-120		P2779876S	12	15	32	120	67	30	-
BT40AD/B-SFHS12-160		P2779877S	12	15	32	160	97	30	-

▶ Inch type products are available.
▶ Balancing grade G2.5 at 25,000RPM or U max. < 1gmm.

▶ NEXT PAGE

SHRINK FIT HOLDER (EXTRA SLIM)

SCHRUMPFUTTER
MANDRIN DE FRETTAGE
MADRINI PER CALLETAMENTO A CALDO
PORTAHERRAMIENTAS DE COMPRESION POR CALOR



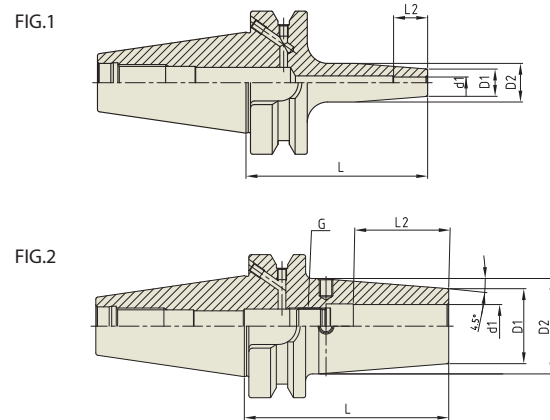
Unit : mm

TAPER No.	MODEL No.	EDP No.	d1	D1	D2	L	L1	L2	WEIGHT (Kg)
50	BT50AD/B-SFHS3-110	P2779878S	3	6	26	110	42	9	-
	BT50AD/B-SFHS3-160	P2779879S	3	6	26	160	97	9	-
	BT50AD/B-SFHS4-110	P2779880S	4	7	26	110	42	12	-
	BT50AD/B-SFHS4-160	P2779881S	4	7	26	160	97	12	-
	BT50AD/B-SFHS6-110	P2779882S	6	9	26	110	42	18	-
	BT50AD/B-SFHS6-160	P2779883S	6	9	26	160	97	18	-
	BT50AD/B-SFHS8-110	P2779884S	8	11	36	110	42	24	-
	BT50AD/B-SFHS8-160	P2779885S	8	11	36	160	97	24	-
	BT50AD/B-SFHS10-110	P2779886S	10	13	36	110	42	30	-
	BT50AD/B-SFHS10-160	P2779887S	10	13	36	160	97	30	-
	BT50AD/B-SFHS12-110	P2779888S	12	15	36	110	42	30	-
	BT50AD/B-SFHS12-160	P2779889S	12	15	36	160	97	30	-

▶ Inch type products are available.
▶ Balancing grade G2.5 at 25,000RPM or U max. < 1gmm.

SHRINK FIT HOLDER

SCHRUMPFUTTER
MANDRIN DE FRETAGE
MADRINI PER CALLETAMENTO A CALDO
PORTAHERRAMIENTAS DE COMPRESION POR CALOR



Unit : mm

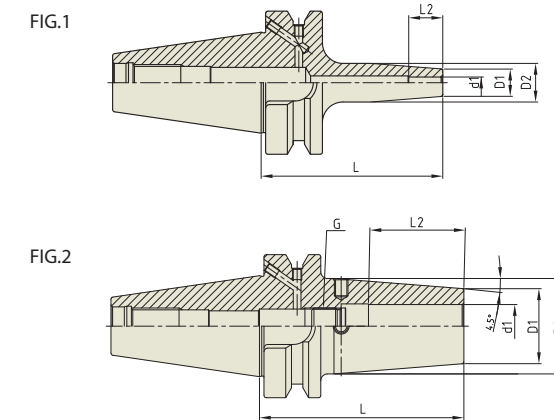
TAPER No.	MODEL No.	EDP No.	d1	D1	D2	L	L2	G	FIG.	WEIGHT (Kg)
30	BT30-SFH3-60	P2776703	3	11	15	60	10	-	1	0.40
	BT30-SFH4-60	P2776702	4	11	15	60	12	-	1	0.40
	BT30-SFH5-60	P2776704	5	11	15	60	15	-	1	0.40
	BT30-SFH6-60	P2776701	6	21	27	60	36	M5×0.8	2	0.40
	BT30-SFH8-60	P2776705	8	21	27	60	36	M6×1.0	2	0.40
	BT30-SFH10-80	P2776706	10	24	32	80	42	M8×1.0	2	0.40
	BT30-SFH12-80	P2776707	12	24	32	80	47	M10×1.0	2	0.42
	BT30-SFH14-80	P2776708	14	27	34	80	47	M10×1.0	2	0.42
	BT30-SFH16-80	P2776709	16	27	34	80	50	M12×1.0	2	0.42
	BT30-SFH18-80	P2776710	18	33	42	80	50	M12×1.0	2	0.42
	BT30-SFH20-90	P2776711	20	33	42	90	52	M16×1.0	2	0.44
	40	BT40AD/B-SFH3-90	P2776712	3	11	15	90	10	-	1
BT40AD/B-SFH4-90		P2776713	4	11	15	90	12	-	1	1.00
BT40AD/B-SFH5-90		P2776714	5	11	15	90	15	-	1	1.00
BT40AD/B-SFH6-90		P2771601	6	21	27	90	36	M5×0.8	2	1.10
BT40AD/B-SFH6-130		P2771657	6	21	27	130	36	M5×0.8	2	-
BT40AD/B-SFH6-160		P2771602	6	21	27	160	36	M5×0.8	2	1.15
BT40AD/B-SFH8-90		P2771603	8	21	27	90	36	M6×1.0	2	1.11
BT40AD/B-SFH8-130		P2771658	8	21	27	130	36	M6×1.0	2	-
BT40AD/B-SFH8-160		P2771604	8	21	27	160	36	M6×1.0	2	1.15
BT40AD/B-SFH10-90		P2771605	10	24	32	90	42	M8×1.0	2	1.10
BT40AD/B-SFH10-130		P2771659	10	24	32	130	42	M8×1.0	2	-
BT40AD/B-SFH10-160		P2771606	10	24	32	160	42	M8×1.0	2	1.15
BT40AD/B-SFH12-90		P2771607	12	24	32	90	47	M10×1.0	2	1.10
BT40AD/B-SFH12-130		P2771660	12	24	32	130	47	M10×1.0	2	-
BT40AD/B-SFH12-160		P2771608	12	24	32	160	47	M10×1.0	2	1.15
BT40AD/B-SFH14-90		P2771611	14	27	34	90	47	M10×1.0	2	1.20
BT40AD/B-SFH14-130		P2771661	14	27	34	130	47	M10×1.0	2	-
BT40AD/B-SFH14-160		P2771612	14	27	34	160	47	M10×1.0	2	1.50

- ▶ Inch type products are available.
- ▶ Supplied without balancing screws.
- ▶ Balancing grade G2.5 at 25,000RPM or U max. < 1gmm.

▶ NEXT PAGE

SHRINK FIT HOLDER

SCHRUMPFUTTER
MANDRIN DE FRETAGE
MADRINI PER CALLETAMENTO A CALDO
PORTAHERRAMIENTAS DE COMPRESION POR CALOR



Unit : mm

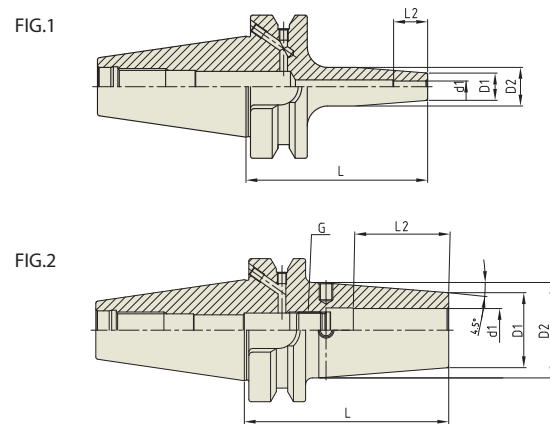
TAPER No.	MODEL No.	EDP No.	d1	D1	D2	L	L2	G	FIG.	WEIGHT (Kg)
40	BT40AD/B-SFH16-90	P2771609	16	27	34	90	50	M12×1.0	2	1.20
	BT40AD/B-SFH16-130	P2771662	16	27	34	130	50	M12×1.0	2	-
	BT40AD/B-SFH16-160	P2771610	16	27	34	160	50	M12×1.0	2	1.50
	BT40AD/B-SFH18-90	P2771613	18	33	42	90	50	M12×1.0	2	1.30
	BT40AD/B-SFH18-130	P2771663	18	33	42	130	50	M12×1.0	2	-
	BT40AD/B-SFH18-160	P2771614	18	33	42	160	50	M12×1.0	2	1.60
	BT40AD/B-SFH20-90	P2771615	20	33	42	90	52	M16×1.0	2	1.40
	BT40AD/B-SFH20-130	P2771664	20	33	42	130	52	M16×1.0	2	-
	BT40AD/B-SFH20-160	P2771616	20	33	42	160	52	M16×1.0	2	1.70
	BT40AD/B-SFH25-100	P2771617	25	44	53	100	58	M16×1.0	2	1.70
	BT40AD/B-SFH25-130	P2771665	25	44	53	130	58	M16×1.0	2	-
	BT40AD/B-SFH25-160	P2771618	25	44	53	160	58	M16×1.0	2	2.00
50	BT50AD/B-SFH3-100	P2771619	3	11	15	100	10	-	1	1.50
	BT50AD/B-SFH4-100	P2771620	4	11	15	100	12	-	1	1.50
	BT50AD/B-SFH5-100	P2771621	5	11	15	100	15	-	1	1.50
	BT50AD/B-SFH6-100	P2771622	6	21	27	100	36	M5×0.8	2	1.50
	BT50AD/B-SFH6-130	P2771666	6	21	27	130	36	M5×0.8	2	-
	BT50AD/B-SFH6-160	P2771623	6	21	27	160	36	M5×0.8	2	2.00
	BT50AD/B-SFH6-200	P2771667	6	21	27	200	36	M5×0.8	2	-
	BT50AD/B-SFH8-100	P2771624	8	21	27	100	36	M6×1.0	2	1.50
	BT50AD/B-SFH8-130	P2771668	8	21	27	130	36	M6×1.0	2	-
	BT50AD/B-SFH8-160	P2771625	8	21	27	160	36	M6×1.0	2	2.00
	BT50AD/B-SFH8-200	P2771669	8	21	27	200	36	M6×1.0	2	-
	BT50AD/B-SFH10-100	P2771626	10	24	32	100	42	M8×1.0	2	1.50
	BT50AD/B-SFH10-130	P2771670	10	24	32	130	42	M8×1.0	2	-
	BT50AD/B-SFH10-160	P2771627	10	24	32	160	42	M8×1.0	2	2.00
	BT50AD/B-SFH10-200	P2771671	10	24	32	200	42	M8×1.0	2	-
	BT50AD/B-SFH12-100	P2771628	12	24	32	100	47	M10×1.0	2	1.50
	BT50AD/B-SFH12-130	P2771672	12	24	32	130	47	M10×1.0	2	-
	BT50AD/B-SFH12-160	P2771629	12	24	32	160	47	M10×1.0	2	2.00
BT50AD/B-SFH12-200	P2771673	12	24	32	200	47	M10×1.0	2	-	

- ▶ Inch type products are available.
- ▶ Supplied without balancing screws.
- ▶ Balancing grade G2.5 at 25,000RPM or U max. < 1gmm.

▶ NEXT PAGE

SHRINK FIT HOLDER

SCHRUMPFUTTER
MANDRIN DE FRETAGE
MADRINI PER CALLETAMENTO A CALDO
PORTAHERRAMIENTAS DE COMPRESION POR CALOR



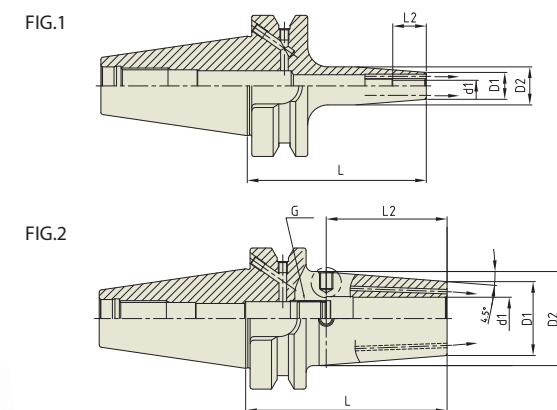
Unit : mm

TAPER No.	MODEL No.	EDP No.	d1	D1	D2	L	L2	G	FIG.	WEIGHT (Kg)
50	BT50AD/B-SFH14-100	P2771630	14	27	34	100	47	M10×1.0	2	1.60
	BT50AD/B-SFH14-130	P2771674	14	27	34	130	47	M10×1.0	2	-
	BT50AD/B-SFH14-160	P2771631	14	27	34	160	47	M10×1.0	2	2.10
	BT50AD/B-SFH14-200	P2771675	14	27	34	200	47	M10×1.0	2	-
	BT50AD/B-SFH16-100	P2771632	16	27	34	100	50	M12×1.0	2	1.60
	BT50AD/B-SFH16-130	P2771676	16	27	34	130	50	M12×1.0	2	-
	BT50AD/B-SFH16-160	P2771633	16	27	34	160	50	M12×1.0	2	2.10
	BT50AD/B-SFH16-200	P2771677	16	27	34	200	50	M12×1.0	2	-
	BT50AD/B-SFH18-100	P2771634	18	33	42	100	50	M12×1.0	2	1.60
	BT50AD/B-SFH18-130	P2771678	18	33	42	130	50	M12×1.0	2	-
	BT50AD/B-SFH18-160	P2771635	18	33	42	160	50	M12×1.0	2	2.00
	BT50AD/B-SFH18-200	P2771679	18	33	42	200	50	M12×1.0	2	-
	BT50AD/B-SFH20-100	P2771636	20	33	42	100	52	M16×1.0	2	1.80
	BT50AD/B-SFH20-130	P2771680	20	33	42	130	52	M16×1.0	2	-
	BT50AD/B-SFH20-160	P2771637	20	33	42	160	52	M16×1.0	2	2.20
	BT50AD/B-SFH20-200	P2771681	20	33	42	200	52	M16×1.0	2	-
	BT50AD/B-SFH25-100	P2771638	25	44	53	100	58	M16×1.0	2	2.00
	BT50AD/B-SFH25-130	P2771682	25	44	53	130	58	M16×1.0	2	-
	BT50AD/B-SFH25-160	P2771639	25	44	53	160	58	M16×1.0	2	2.40
	BT50AD/B-SFH25-200	P2771683	25	44	53	200	58	M16×1.0	2	-

- ▶ Inch type products are available.
- ▶ Supplied without balancing screws.
- ▶ Balancing grade G2.5 at 25,000RPM or U max. < 1gmm.

SHRINK FIT HOLDER (COOLANT CHANNEL)

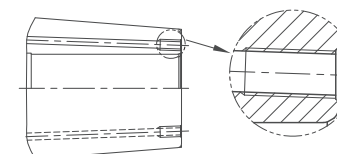
SCHRUMPFUTTER
MANDRIN DE FRETAGE
MADRINI PER CALLETAMENTO A CALDO
PORTAHERRAMIENTAS DE COMPRESION POR CALOR



Unit : mm

TAPER No.	MODEL No.	EDP No.	d1	D1	D2	L	L2	G	FIG.	WEIGHT (Kg)
40	BT40AD/B-SFH3C-90*1	P2863000C	3	12	17	90	10	-	1	-
	BT40AD/B-SFH4C-90*1	P2863001C	4	12	17	90	12	-	1	-
	BT40AD/B-SFH5C-90*1	P2863002C	5	12	17	90	15	-	1	-
	BT40AD/B-SFH6C-90	P2862085C	6	21	27	90	36	M5x0.8	2	1.10
	BT40AD/B-SFH6C-130	P2863024C	6	21	27	130	36	M5x0.8	2	-
	BT40AD/B-SFH6C-160	P2862086C	6	21	27	160	36	M5x0.8	2	1.15
	BT40AD/B-SFH8C-90	P2862087C	8	21	27	90	36	M6x1.0	2	1.11
	BT40AD/B-SFH8C-130	P2863025C	8	21	27	130	36	M6x1.0	2	-
	BT40AD/B-SFH8C-160	P2862088C	8	21	27	160	36	M6x1.0	2	1.15
	BT40AD/B-SFH10C-90	P2862089C	10	24	32	90	41	M8x1.0	2	1.10
	BT40AD/B-SFH10C-130	P2863026C	10	24	32	130	41	M8x1.0	2	-
	BT40AD/B-SFH10C-160	P2862090C	10	24	32	160	41	M8x1.0	2	1.15
	BT40AD/B-SFH12C-90	P2862091C	12	24	32	90	47	M10x1.0	2	1.10
	BT40AD/B-SFH12C-130	P2863027C	12	24	32	130	47	M10x1.0	2	-
	BT40AD/B-SFH12C-160	P2862092C	12	24	32	160	47	M10x1.0	2	1.15
	BT40AD/B-SFH14C-90	P2862093C	14	27	34	90	47	M10x1.0	2	1.20
	BT40AD/B-SFH14C-130	P2863028C	14	27	34	130	47	M10x1.0	2	-
	BT40AD/B-SFH14C-160	P2862094C	14	27	34	160	47	M10x1.0	2	1.50
	BT40AD/B-SFH16C-90	P2862095C	16	27	34	90	50	M12x1.0	2	1.20
	BT40AD/B-SFH16C-130	P2863029C	16	27	34	130	50	M12x1.0	2	-
	BT40AD/B-SFH16C-160	P2862096C	16	27	34	160	50	M12x1.0	2	1.50
	BT40AD/B-SFH18C-90	P2862097C	18	33	42	90	50	M12x1.0	2	1.30
	BT40AD/B-SFH18C-130	P2863030C	18	33	42	130	50	M12x1.0	2	-
	BT40AD/B-SFH18C-160	P2862098C	18	33	42	160	50	M12x1.0	2	1.60
	BT40AD/B-SFH20C-90	P2862099C	20	33	42	90	52	M16x1.0	2	1.40
	BT40AD/B-SFH20C-130	P2863031C	20	33	42	130	52	M16x1.0	2	-
	BT40AD/B-SFH20C-160	P2862100C	20	33	42	160	52	M16x1.0	2	1.70
	BT40AD/B-SFH25C-100	P2862101C	25	44	53	100	58	M16x1.0	2	1.70
	BT40AD/B-SFH25C-130	P2863032C	25	44	53	130	58	M16x1.0	2	-
	BT40AD/B-SFH25C-160	P2862102C	25	44	53	160	58	M16x1.0	2	2.00

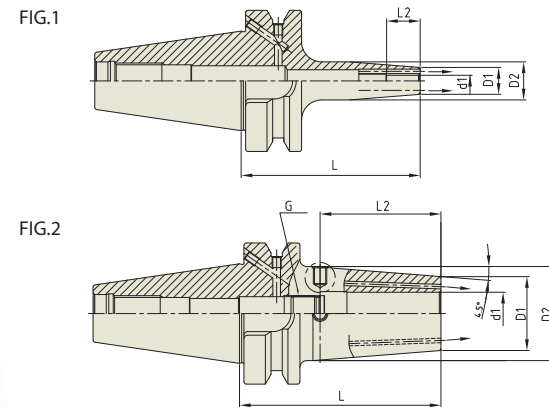
- ▶ Inch type products are available.
- ▶ Supplied without balancing screws.
- ▶ Balancing grade G2.5 at 25,000RPM or U max. < 1gmm.
- ▶ With two coolant channel bores.
- ▶ Resealable coolant channel type is available upon request. (Thread for plugging screw & 2 screws)
- ▶ *1 Resealable type is not available.



▶ NEXT PAGE

SHRINK FIT HOLDER (COOLANT CHANNEL)

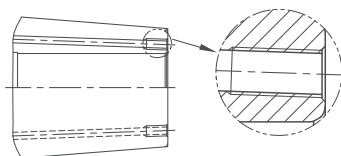
SCHRUMPFUTTER
MANDRIN DE FRETAGE
MADRINI PER CALLETAMENTO A CALDO
PORTAHERRAMIENTAS DE COMPRESION POR CALOR



Unit : mm

TAPER No.	MODEL No.	EDP No.	d1	D1	D2	L	L2	G	FIG.	WEIGHT (Kg)
50	BT50AD/B-SFH3C-100*1	P2863012C	3	12	17	100	10	-	1	-
	BT50AD/B-SFH4C-100*1	P2863013C	4	12	17	100	12	-	1	-
	BT50AD/B-SFH5C-100*1	P2863014C	5	12	17	100	15	-	1	-
	BT50AD/B-SFH6C-100	P2862103C	6	21	27	100	36	M5x0.8	2	1.50
	BT50AD/B-SFH6C-130	P2863033C	6	21	27	130	36	M5x0.8	2	-
	BT50AD/B-SFH6C-160	P2862104C	6	21	27	160	36	M5x0.8	2	2.00
	BT50AD/B-SFH6C-200	P2863034C	6	21	27	200	36	M5x0.8	2	-
	BT50AD/B-SFH8C-100	P2862105C	8	21	27	100	36	M6x1.0	2	1.50
	BT50AD/B-SFH8C-130	P2863035C	8	21	27	130	36	M6x1.0	2	-
	BT50AD/B-SFH8C-160	P2862106C	8	21	27	160	36	M6x1.0	2	2.00
	BT50AD/B-SFH8C-200	P2863036C	8	21	27	200	36	M6x1.0	2	-
	BT50AD/B-SFH10C-100	P2862107C	10	24	32	100	42	M8x1.0	2	1.10
	BT50AD/B-SFH10C-130	P2863037C	10	24	32	130	42	M8x1.0	2	-
	BT50AD/B-SFH10C-160	P2862108C	10	24	32	160	42	M8x1.0	2	1.15
	BT50AD/B-SFH10C-200	P2863038C	10	24	32	200	42	M8x1.0	2	-
	BT50AD/B-SFH12C-100	P2862109C	12	24	32	100	47	M10x1.0	2	1.60
	BT50AD/B-SFH12C-130	P2863039C	12	24	32	130	47	M10x1.0	2	-
	BT50AD/B-SFH12C-160	P2862110C	12	24	32	160	47	M10x1.0	2	2.10
	BT50AD/B-SFH12C-200	P2863040C	12	24	32	200	47	M10x1.0	2	-
	BT50AD/B-SFH14C-100	P2862111C	14	27	34	100	47	M10x1.0	2	1.60
	BT50AD/B-SFH14C-130	P2863041C	14	27	34	130	47	M10x1.0	2	-
	BT50AD/B-SFH14C-160	P2862112C	14	27	34	160	47	M10x1.0	2	2.10
	BT50AD/B-SFH14C-200	P2863042C	14	27	34	200	47	M10x1.0	2	-
	BT50AD/B-SFH16C-100	P2862113C	16	27	34	100	50	M12x1.0	2	1.60
BT50AD/B-SFH16C-130	P2863043C	16	27	34	130	50	M12x1.0	2	-	
BT50AD/B-SFH16C-160	P2862114C	16	27	34	160	50	M12x1.0	2	2.10	
BT50AD/B-SFH16C-200	P2863044C	16	27	34	200	50	M12x1.0	2	-	

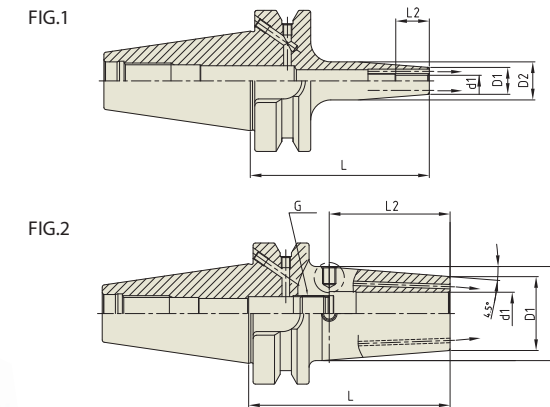
- ▶ Inch type products are available.
- ▶ Supplied without balancing screws.
- ▶ Balancing grade G2.5 at 25,000RPM or U max. < 1gmm.
- ▶ With two coolant channel bores.
- ▶ Resealable coolant channel type is available upon request. (Thread for plugging screw & 2 screws)
- ▶ *1 Resealable type is not available.



▶ NEXT PAGE

SHRINK FIT HOLDER (COOLANT CHANNEL)

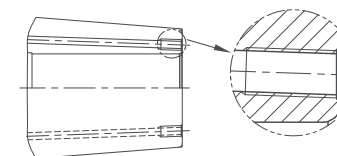
SCHRUMPFUTTER
MANDRIN DE FRETAGE
MADRINI PER CALLETAMENTO A CALDO
PORTAHERRAMIENTAS DE COMPRESION POR CALOR



Unit : mm

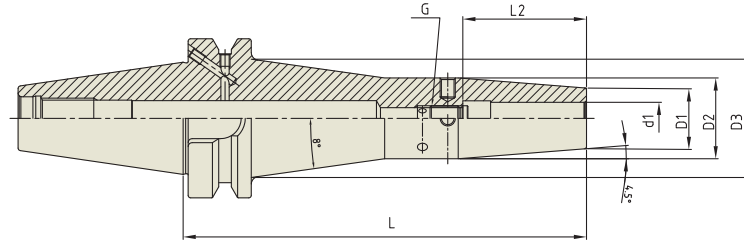
TAPER No.	MODEL No.	EDP No.	d1	D1	D2	L	L2	G	FIG.	WEIGHT (Kg)
50	BT50AD/B-SFH18C-100	P2862115C	18	33	42	100	50	M12x1.0	2	1.60
	BT50AD/B-SFH18C-130	P2863045C	18	33	42	130	50	M12x1.0	2	-
	BT50AD/B-SFH18C-160	P2862116C	18	33	42	160	50	M12x1.0	2	2.00
	BT50AD/B-SFH18C-200	P2863046C	18	33	42	200	50	M12x1.0	2	-
	BT50AD/B-SFH20C-100	P2862117C	20	33	42	100	52	M16x1.0	2	1.80
	BT50AD/B-SFH20C-130	P2863047C	20	33	42	130	52	M16x1.0	2	-
	BT50AD/B-SFH20C-160	P2862118C	20	33	42	160	52	M16x1.0	2	2.20
	BT50AD/B-SFH20C-200	P2863048C	20	33	42	200	52	M16x1.0	2	-
	BT50AD/B-SFH25C-100	P2862119C	25	44	53	100	58	M16x1.0	2	2.00
	BT50AD/B-SFH25C-130	P2863049C	25	44	53	130	58	M16x1.0	2	-
	BT50AD/B-SFH25C-160	P2862120C	25	44	53	160	58	M16x1.0	2	2.40
	BT50AD/B-SFH25C-200	P2863050C	25	44	53	200	58	M16x1.0	2	-

- ▶ Inch type products are available.
- ▶ Supplied without balancing screws.
- ▶ Balancing grade G2.5 at 25,000RPM or U max. < 1gmm.
- ▶ With two coolant channel bores.
- ▶ Resealable coolant channel type is available upon request. (Thread for plugging screw & 2 screws)



SHRINK FIT HOLDER (REINFORCED)

SCHRUMPFUTTER (VERSTÄRKT)
 MANDRIN DE FRETAGE (RENFORCÉ)
 MADRINI PER CALLETAMENTO A CALDO (RINFORZATO)
 PORTAHERRAMIENTAS DE COMPRESION POR CALOR (REFORZADO)



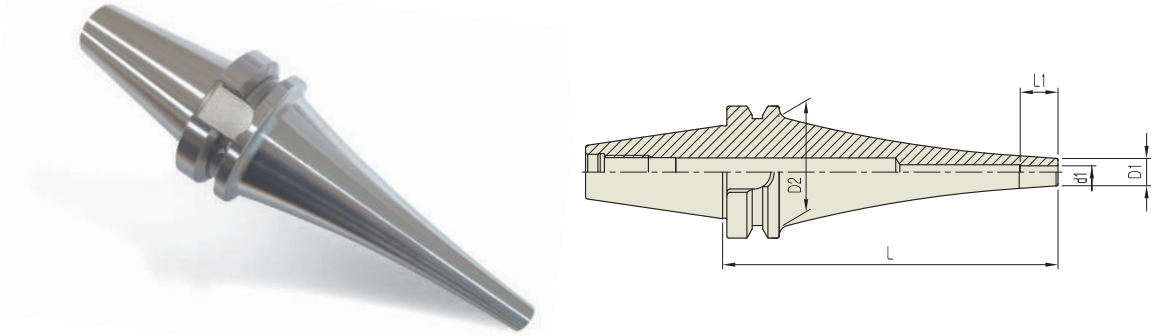
Unit : mm

TAPER No.	MODEL No.	EDP No.	d1	D1	D2	D3	L	L2	G	WEIGHT (Kg)
40	BT40AD/B-SFH6 TW-160	P2801601TW	6	21	27	41.9	160	36	M5x0.8	1.64
	BT40AD/B-SFH8 TW-160	P2801602TW	8	21	27	41.9	160	36	M6x1.0	1.63
	BT40AD/B-SFH10 TW-160	P2801603TW	10	24	32	46.9	160	42	M8x1.0	1.84
	BT40AD/B-SFH12 TW-160	P2801604TW	12	24	32	46.9	160	47	M10x1.0	1.83
	BT40AD/B-SFH14 TW-160	P2801605TW	14	27	34	48.9	160	47	M10x1.0	1.80
	BT40AD/B-SFH16 TW-160	P2801606TW	16	27	34	48.9	160	50	M12x1.0	1.92
50	BT50AD/B-SFH6 TW-160	P2801607TW	6	21	27	38.8	160	36	M5x0.8	4.12
	BT50AD/B-SFH8 TW-160	P2801608TW	8	21	27	38.8	160	36	M6x1.0	4.57
	BT50AD/B-SFH10 TW-160	P2801609TW	10	24	32	43.8	160	42	M8x1.0	4.76
	BT50AD/B-SFH12 TW-160	P2801610TW	12	24	32	43.8	160	47	M10x1.0	4.74
	BT50AD/B-SFH14 TW-160	P2801611TW	14	27	34	45.8	160	47	M10x1.0	4.70
	BT50AD/B-SFH16 TW-160	P2801612TW	16	27	34	45.8	160	50	M12x1.0	4.69
	BT50AD/B-SFH20 TW-160	P2801613TW	20	33	42	53.8	160	52	M16x1.0	5.17

- ▶ Inch type products are available.
- ▶ Supplied without balancing screws.
- ▶ Balancing grade G2.5 at 25,000RPM or U max. < 1gmm.

SHRINK FIT HOLDER (CURVED)

SCHRUMPFUTTER (GEBOGEN)
 MANDRIN DE FRETAGE (INCURVÉ)
 MADRINI PER CALLETAMENTO A CALDO (CURVO)
 PORTAHERRAMIENTAS DE COMPRESION POR CALOR (CURVADO)



Unit : mm

TAPER No.	MODEL No.	EDP No.	d1	D1	D2	L	L1	WEIGHT (Kg)
30	BT30-SFH4CV-90	P2785001CV	4	10	34	90	12	-
	BT30-SFH4CV-120	P2785002CV	4	10	34	120	12	-
	BT30-SFH6CV-90	P2785003CV	6	13	34	90	18	-
	BT30-SFH6CV-120	P2785004CV	6	13	34	120	18	-
	BT30-SFH8CV-90	P2785005CV	8	16	34	90	18	-
	BT30-SFH10CV-90	P2785006CV	10	19	34	90	18	-
	BT40AD/B-SFH4CV-120	P2785007CV	4	10	53	120	12	-
40	BT40AD/B-SFH4CV-150	P2785008CV	4	10	53	150	12	-
	BT40AD/B-SFH6CV-90	P2785009CV	6	13	53	90	18	-
	BT40AD/B-SFH6CV-120	P2785010CV	6	13	53	120	18	-
	BT40AD/B-SFH6CV-150	P2785011CV	6	13	53	150	18	-
	BT40AD/B-SFH8CV-90	P2785012CV	8	16	53	90	24	-
	BT40AD/B-SFH8CV-120	P2785013CV	8	16	53	120	24	-
	BT40AD/B-SFH8CV-150	P2785014CV	8	16	53	150	24	-
	BT40AD/B-SFH10CV-90	P2785015CV	10	19	53	90	30	-
	BT40AD/B-SFH10CV-120	P2785016CV	10	19	53	120	30	-
	BT40AD/B-SFH10CV-150	P2785017CV	10	19	53	150	30	-
	BT40AD/B-SFH12CV-90	P2785018CV	12	22	53	90	30	-
	BT40AD/B-SFH12CV-120	P2785019CV	12	22	53	120	30	-
	BT40AD/B-SFH12CV-150	P2785020CV	12	22	53	150	30	-
50	BT50AD/B-SFH8CV-195	P2785021CV	8	16	85	195	24	-
	BT50AD/B-SFH8CV-225	P2785022CV	8	16	85	225	24	-
	BT50AD/B-SFH10CV-165	P2785023CV	10	19	85	165	30	-
	BT50AD/B-SFH10CV-195	P2785024CV	10	19	85	195	30	-
	BT50AD/B-SFH10CV-225	P2785025CV	10	19	85	225	30	-
	BT50AD/B-SFH12CV-165	P2785026CV	12	22	85	165	30	-
	BT50AD/B-SFH12CV-195	P2785027CV	12	22	85	195	30	-
	BT50AD/B-SFH12CV-225	P2785028CV	12	22	85	225	30	-

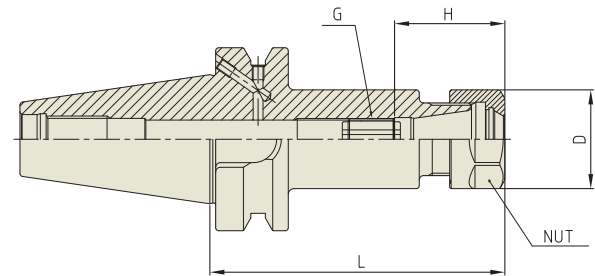
- ▶ Inch type products are available.
- ▶ Balancing grade G2.5 at 25,000RPM or U max. < 1gmm.

YG ER COLLET CHUCK

ER

ER COLLET CHUCK

SPANN FUTTER - ER
MANDRIN À PINCES - ER
MANDRINO PORTA PINZE - ER
PORTAPINZAS - ER



Unit : mm									
TAPER No.	MODEL No.	EDP No.	CLAMPING RANGE	L	D	G	H	NUT / COLLET	WEIGHT (Kg)
30	BT30-ER11-70	P2776501A	0.5 - 7.0	70	19	M6	45	ER11	0.50
	BT30-ER11-100	P2776502A	0.5 - 7.0	100	19	M6	45	ER11	0.50
	BT30-ER16-70	P2776503A	0.5 - 10.0	70	28	M10	45	ER16	1.00
	BT30-ER16-100	P2776506A	0.5 - 10.0	100	28	M10	45	ER16	1.10
	BT30-ER20-80	P2776507A	0.5 - 13.0	80	34	M12	50	ER20	1.20
	BT30-ER20-100	P2776508A	0.5 - 13.0	100	34	M12	50	ER20	1.30
	BT30-ER25-70	P2776509A	1.0 - 16.0	70	42	M12	65	ER25	1.20
	BT30-ER25-100	P2776510A	1.0 - 16.0	100	42	M12	65	ER25	1.30
	BT30-ER32-60	P2776511A	1.0 - 20.0	60	50	M12	65	ER32	1.40
	BT30-ER32-90	P2776512A	1.0 - 20.0	90	50	M12	65	ER32	1.90
40	BT40AD/B-ER11-75	P2776513	0.5 - 7.0	75	19	M6	45	ER11	1.00
	BT40AD/B-ER11-100	P2776514	0.5 - 7.0	100	19	M6	45	ER11	1.10
	BT40AD/B-ER16-75	P2776504	0.5 - 10.0	75	28	M10	45	ER16	1.10
	BT40AD/B-ER16-100	P2553021	0.5 - 10.0	100	28	M10	45	ER16	1.20
	BT40AD/B-ER16-120	P2776515	0.5 - 10.0	120	28	M10	45	ER16	1.40
	BT40AD/B-ER20-75	P2776516	0.5 - 13.0	75	34	M12	50	ER20	1.40
	BT40AD/B-ER20-100	P2553017	0.5 - 13.0	100	34	M12	50	ER20	1.80
	BT40AD/B-ER20-135	P2776517	0.5 - 13.0	135	34	M12	50	ER20	2.20
	BT40AD/B-ER25-75	P2600012	1.0 - 16.0	75	42	M12	65	ER25	1.40
	BT40AD/B-ER25-100	P2553018	1.0 - 16.0	100	42	M12	65	ER25	1.80
	BT40AD/B-ER25-135	P2776518	1.0 - 16.0	135	42	M12	65	ER25	2.20
	BT40AD/B-ER25-150	P2776519	1.0 - 16.0	150	42	M12	65	ER25	2.40
	BT40AD/B-ER32-60	P2553501	1.0 - 20.0	60	50	M12	65	ER32	1.80
	BT40AD/B-ER32-100	P2776505	1.0 - 20.0	100	50	M12	65	ER32	2.20

- ▶ Inch type products are available.
- ▶ Balancing grade G2.5 at 25,000RPM or U max. < 1gmm.
- ▶ For applicable ER collet, please refer to page D296~D304.
- ▶ For applicable ER nut, Sealing disk and Spanner, please refer to page D305~D309.

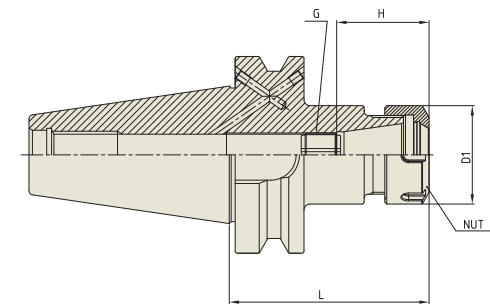
▶ NEXT PAGE

YG ER COLLET CHUCK

ER

ER COLLET CHUCK

SPANN FUTTER - ER
MANDRIN À PINCES - ER
MANDRINO PORTA PINZE - ER
PORTAPINZAS - ER

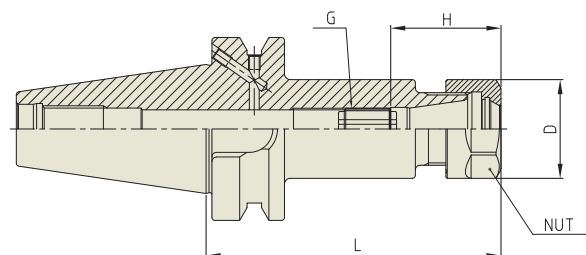


Unit : mm									
TAPER No.	MODEL No.	EDP No.	CLAMPING RANGE	L	D	G	H	NUT / COLLET	WEIGHT (Kg)
50	BT50AD/B-ER16-100	P2776522	0.5 - 10.0	100	28	M10	45	ER16	4.20
	BT50AD/B-ER16-120	P2776523	0.5 - 10.0	120	28	M10	45	ER16	4.40
	BT50AD/B-ER16-165	P2776524	0.5 - 10.0	165	28	M10	45	ER16	4.60
	BT50AD/B-ER20-100	P2776525	0.5 - 13.0	100	34	M12	50	ER20	4.60
	BT50AD/B-ER20-135	P2776526	0.5 - 13.0	135	34	M12	50	ER20	4.80
	BT50AD/B-ER20-165	P2776527	0.5 - 13.0	165	34	M12	50	ER20	5.00
	BT50AD/B-ER25-100	P2776528	1.0 - 16.0	100	42	M12	65	ER25	4.70
	BT50AD/B-ER25-135	P2776529	1.0 - 16.0	135	42	M12	65	ER25	4.80
	BT50AD/B-ER25-165	P2776530	1.0 - 16.0	150	42	M12	65	ER25	5.00
	BT50AD/B-ER32-100	P2600026	1.0 - 20.0	100	50	M12	65	ER32	5.20
	BT50AD/B-ER32-135	P2776531	1.0 - 20.0	135	50	M12	65	ER32	5.70
	BT50AD/B-ER32-165	P2776532	1.0 - 20.0	165	50	M12	65	ER32	5.80
	BT50AD/B-ER40-100	P2600027	2.0 - 30.0	100	63	M12	75	ER40	5.60
	BT50AD/B-ER40-150	P2776533	2.0 - 30.0	150	63	M12	75	ER40	6.10
	BT50AD/B-ER50-100	P2776534	4.0 - 34.0	100	78	M16	85	ER50	5.80
	BT50AD/B-ER50-150	P2776535	4.0 - 34.0	150	78	M16	85	ER50	6.30

- ▶ Inch type products are available.
- ▶ Balancing grade G2.5 at 25,000RPM or U max. < 1gmm.
- ▶ For applicable ER collet, please refer to page D296~D304.
- ▶ For applicable ER nut, Sealing disk and Spanner, please refer to page D305~D309.

ER COLLET CHUCK

SPANN FUTTER-ER
MANDRIN À PINCES-ER
MANDRINO PORTA PINZE-ER
PORTAPINZAS-ER



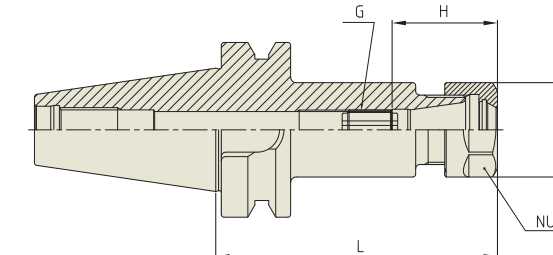
Unit : mm

TAPER No.	MODEL No.	EDP No.	CLAMPING RANGE	L	D	G	H	NUT / COLLET	WEIGHT (Kg)
40	BT40AD/B-ER11-75	P2776551	0.5 - 7.0	75	19	M6	45	ER11	1.00
	BT40AD/B-ER11-100	P2776552	0.5 - 7.0	100	19	M6	45	ER11	1.10
	BT40AD/B-ER16-75	P2776553	0.5 - 10.0	75	28	M10	45	ER16	1.10
	BT40AD/B-ER16-100	P2776554	0.5 - 10.0	100	28	M10	45	ER16	1.20
	BT40AD/B-ER16-120	P2776555	0.5 - 10.0	120	28	M10	45	ER16	1.40
	BT40AD/B-ER20-75	P2776556	0.5 - 13.0	75	34	M12	50	ER20	1.40
	BT40AD/B-ER20-100	P2776557	0.5 - 13.0	100	34	M12	50	ER20	1.80
	BT40AD/B-ER20-135	P2776558	0.5 - 13.0	135	34	M12	50	ER20	2.20
	BT40AD/B-ER25-75	P2776559	1.0 - 16.0	75	42	M12	65	ER25	1.40
	BT40AD/B-ER25-100	P2776560	1.0 - 16.0	100	42	M12	65	ER25	1.80
	BT40AD/B-ER25-135	P2776561	1.0 - 16.0	135	42	M12	65	ER25	2.20
	BT40AD/B-ER25-150	P2776562	1.0 - 16.0	150	42	M12	65	ER25	2.40
	BT40AD/B-ER32-60	P2776563	1.0 - 20.0	60	50	M12	65	ER32	1.80
	BT40AD/B-ER32-100	P2776564	1.0 - 20.0	100	50	M12	65	ER32	2.20
50	BT50AD/B-ER16-100	P2776565	0.5 - 10.0	100	28	M10	45	ER16	4.20
	BT50AD/B-ER16-120	P2776566	0.5 - 10.0	120	28	M10	45	ER16	4.40
	BT50AD/B-ER16-165	P2776567	0.5 - 10.0	165	28	M10	45	ER16	4.60
	BT50AD/B-ER20-100	P2776568	0.5 - 13.0	100	34	M12	50	ER20	4.60
	BT50AD/B-ER20-135	P2776569	0.5 - 13.0	135	34	M12	50	ER20	4.80
	BT50AD/B-ER20-165	P2776570	0.5 - 13.0	165	34	M12	50	ER20	5.00
	BT50AD/B-ER25-100	P2776571	1.0 - 16.0	100	42	M12	65	ER25	4.70
	BT50AD/B-ER25-135	P2776572	1.0 - 16.0	135	42	M12	65	ER25	4.80
	BT50AD/B-ER25-165	P2776573	1.0 - 16.0	165	42	M12	65	ER25	5.00
	BT50AD/B-ER32-100	P2776574	1.0 - 20.0	100	50	M12	65	ER32	5.20
	BT50AD/B-ER32-135	P2776575	1.0 - 20.0	135	50	M12	65	ER32	5.70
	BT50AD/B-ER32-165	P2776576	1.0 - 20.0	165	50	M12	65	ER32	5.80
	BT50AD/B-ER40-100	P2776577	2.0 - 30.0	100	63	M12	75	ER40	5.60
	BT50AD/B-ER40-150	P2776578	2.0 - 30.0	150	63	M12	75	ER40	6.10
	BT50AD/B-ER50-100	P2776579	4.0 - 34.0	100	78	M16	85	ER50	5.80
	BT50AD/B-ER50-150	P2776580	4.0 - 34.0	150	78	M16	85	ER50	6.30

- ▶ Inch type products are available.
- ▶ For applicable ER collet, please refer to page D296~D304.
- ▶ For applicable ER nut, Sealing disk and Spanner, please refer to page D305~D309.

ER COLLET CHUCK

SPANN FUTTER-ER
MANDRIN À PINCES-ER
MANDRINO PORTA PINZE-ER
PORTAPINZAS-ER



Unit : mm

TAPER No.	MODEL No.	EDP No.	CLAMPING RANGE	L	D	G	H	NUT / COLLET	WEIGHT (Kg)	
30	BT30-ER11-70	P2772107	0.5 - 7.0	70	19	M6	45	ER11	0.50	
	BT30-ER11-100	P2772108	0.5 - 7.0	100	19	M6	45	ER11	0.50	
	BT30-ER16-70	P2772109	0.5 - 10.0	70	28	M10	45	ER16	1.00	
	BT30-ER16-100	P2772110	0.5 - 10.0	100	28	M10	45	ER16	1.10	
	BT30-ER20-80	P2772111	0.5 - 13.0	80	34	M12	50	ER20	1.20	
	BT30-ER20-100	P2772112	0.5 - 13.0	100	34	M12	50	ER20	1.30	
	BT30-ER25-70	P2772106	1.0 - 16.0	70	42	M12	65	ER25	1.20	
	BT30-ER25-100	P2772113	1.0 - 16.0	100	42	M12	65	ER25	1.30	
	BT30-ER32-60	P2772144	1.0 - 20.0	60	50	M12	65	ER32	1.40	
	BT30-ER32-90	P2772115	1.0 - 20.0	90	50	M12	65	ER32	1.90	
	40	BT40-ER11-75	P2772116	0.5 - 7.0	75	19	M6	45	ER11	1.00
		BT40-ER11-100	P2772117	0.5 - 7.0	100	19	M6	45	ER11	1.10
		BT40-ER16-75	P2772101	0.5 - 10.0	75	28	M10	45	ER16	1.10
		BT40-ER16-100	P2772118	0.5 - 10.0	100	28	M10	45	ER16	1.20
BT40-ER16-120		P2772119	0.5 - 10.0	120	28	M10	45	ER16	1.40	
BT40-ER20-75		P2772102	0.5 - 13.0	75	34	M12	50	ER20	1.40	
BT40-ER20-100		P2772120	0.5 - 13.0	100	34	M12	50	ER20	1.80	
BT40-ER20-135		P2772121	0.5 - 13.0	135	34	M12	50	ER20	2.20	
BT40-ER25-75		P2772103	1.0 - 16.0	75	42	M12	65	ER25	1.40	
BT40-ER25-100		P2772122	1.0 - 16.0	100	42	M12	65	ER25	1.80	
BT40-ER25-135		P2772123	1.0 - 16.0	135	42	M12	65	ER25	2.20	
BT40-ER25-150		P2772124	1.0 - 16.0	150	42	M12	65	ER25	2.40	
BT40-ER32-60		P2772104	1.0 - 20.0	60	50	M12	65	ER32	1.80	
BT40-ER32-100		P2772125	1.0 - 20.0	100	50	M12	65	ER32	2.20	
BT40-ER32-120		P2772105	1.0 - 20.0	120	50	M12	65	ER32	2.40	
BT40-ER32-150		P2772126	1.0 - 20.0	150	50	M12	65	ER32	2.60	
BT40-ER40-80		P2772127	2.0 - 30.0	80	63	M12	75	ER40	1.50	

- ▶ Inch type products are available.
- ▶ For applicable ER collet, please refer to page D296~D304.
- ▶ For applicable ER nut, Sealing disk and Spanner, please refer to page D305~D309.

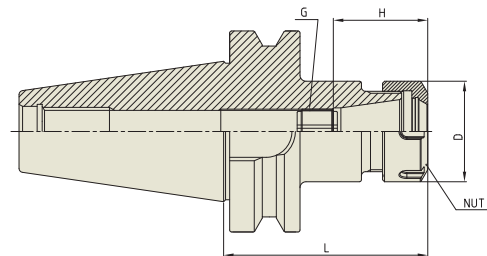
▶ NEXT PAGE

YG ER COLLET CHUCK

ER

ER COLLET CHUCK

SPANN FUTTER - ER
MANDRIN À PINCES - ER
MANDRINO PORTA PINZE - ER
PORTAPINZAS - ER



Unit : mm

TAPER No.	MODEL No.	EDP No.	CLAMPING RANGE	L	D	G	H	NUT / COLLET	WEIGHT (Kg)
50	BT50-ER16-100	P2772128	0.5 - 10.0	100	28	M10	45	ER16	4.20
	BT50-ER16-120	P2772129	0.5 - 10.0	120	28	M10	45	ER16	4.40
	BT50-ER16-165	P2772130	0.5 - 10.0	165	28	M10	45	ER16	4.60
	BT50-ER20-100	P2772131	0.5 - 13.0	100	34	M12	50	ER20	4.60
	BT50-ER20-135	P2772132	0.5 - 13.0	135	34	M12	50	ER20	4.80
	BT50-ER20-165	P2772133	0.5 - 13.0	165	34	M12	50	ER20	5.00
	BT50-ER25-100	P2772134	1.0 - 16.0	100	42	M12	65	ER25	4.70
	BT50-ER25-135	P2772135	1.0 - 16.0	135	42	M12	65	ER25	4.80
	BT50-ER25-165	P2772136	1.0 - 16.0	165	42	M12	65	ER25	5.00
	BT50-ER32-100	P2772137	1.0 - 20.0	100	50	M12	65	ER32	5.20
	BT50-ER32-135	P2772138	1.0 - 20.0	135	50	M12	65	ER32	5.70
	BT50-ER32-165	P2772139	1.0 - 20.0	165	50	M12	65	ER32	5.80
	BT50-ER40-100	P2772140	2.0 - 30.0	100	63	M12	75	ER40	5.60
	BT50-ER40-150	P2772141	2.0 - 30.0	150	63	M12	75	ER40	6.10
	BT50-ER50-100	P2772142	4.0 - 34.0	100	78	M16	85	ER50	5.80
	BT50-ER50-150	P2772143	4.0 - 34.0	150	78	M16	85	ER50	6.30

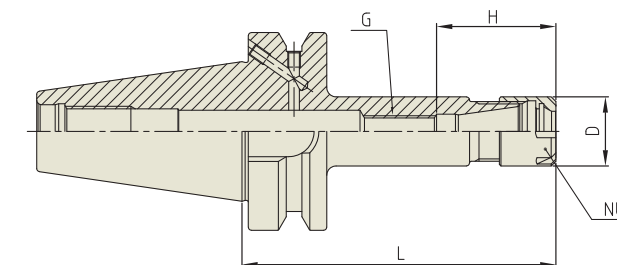
- ▶ Inch type products are available.
- ▶ For applicable ER collet, please refer to page D296~D304.
- ▶ For applicable ER nut, Sealing disk and Spanner, please refer to page D305~D309.

YG ER COLLET CHUCK

ERM

ER COLLET CHUCK (SLIM)

SPANN FUTTER - ER
MANDRIN À PINCES - ER
MANDRINO PORTA PINZE - ER
PORTAPINZAS - ER



Unit : mm

TAPER No.	MODEL No.	EDP No.	CLAMPING RANGE	L	D	G	H	NUT / COLLET	WEIGHT (Kg)
40	BT40AD/B-ER11M-60	P2802735	0.5 - 7.0	60	16	M6	29.5	ER11M / ER11	1.00
	BT40AD/B-ER11M-90	P2802736	0.5 - 7.0	90	16	M6	29.5	ER11M / ER11	1.10
	BT40AD/B-ER11M-135	P2802737	0.5 - 7.0	135	16	M6	29.5	ER11M / ER11	1.20
	BT40AD/B-ER16M-60	P2802738	0.5 - 10.0	60	22	M10	38	ER16M / ER16	1.10
	BT40AD/B-ER16M-90	P2802739	0.5 - 10.0	90	22	M10	38	ER16M / ER16	1.20
	BT40AD/B-ER16M-135	P2802740	0.5 - 10.0	135	22	M10	38	ER16M / ER16	1.40
	BT40AD/B-ER20M-60	P2802741	0.5 - 13.0	60	28	M12	44.5	ER20M / ER20	1.10
	BT40AD/B-ER20M-90	P2802742	0.5 - 13.0	90	28	M12	44.5	ER20M / ER20	1.50
	BT40AD/B-ER20M-150	P2802743	0.5 - 13.0	150	28	M12	44.5	ER20M / ER20	1.80
	BT40AD/B-ER25M-60	P2802744	1.0 - 16.0	60	35	M12	52	ER25M / ER25	1.20
	BT40AD/B-ER25M-90	P2802745	1.0 - 16.0	90	35	M12	52	ER25M / ER25	1.40
	BT40AD/B-ER25M-150	P2802746	1.0 - 16.0	150	35	M12	52	ER25M / ER25	1.80
50	BT50AD/B-ER11M-90	P2802747	0.5 - 7.0	90	16	M6	29.5	ER11M / ER11	3.80
	BT50AD/B-ER11M-120	P2802748	0.5 - 7.0	120	16	M6	29.5	ER11M / ER11	3.90
	BT50AD/B-ER11M-165	P2802749	0.5 - 7.0	165	16	M6	29.5	ER11M / ER11	4.00
	BT50AD/B-ER16M-90	P2802750	0.5 - 10.0	90	22	M10	38	ER16M / ER16	3.80
	BT50AD/B-ER16M-120	P2802751	0.5 - 10.0	120	22	M10	38	ER16M / ER16	4.00
	BT50AD/B-ER16M-165	P2802752	0.5 - 10.0	165	22	M10	38	ER16M / ER16	4.20
	BT50AD/B-ER20M-75	P2802753	0.5 - 13.0	75	28	M12	44.5	ER20M / ER20	3.80
	BT50AD/B-ER20M-105	P2802754	0.5 - 13.0	105	28	M12	44.5	ER20M / ER20	3.90
	BT50AD/B-ER20M-165	P2802755	0.5 - 13.0	165	28	M12	44.5	ER20M / ER20	4.50
	BT50AD/B-ER25M-75	P2802756	1.0 - 16.0	75	35	M12	52	ER25M / ER25	3.90
BT50AD/B-ER25M-105	P2802757	1.0 - 16.0	105	35	M12	52	ER25M / ER25	4.10	

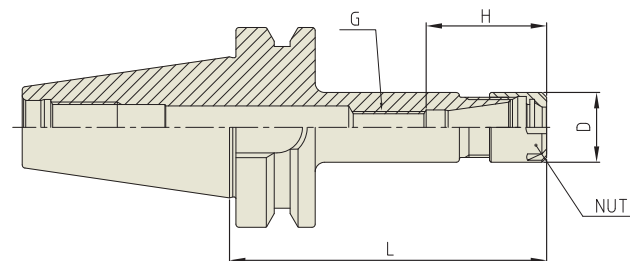
- ▶ Balancing grade G2.5 at 25,000RPM or U max. < 1gmm.
- ▶ For applicable ER collet please refer to page D296~D304.
- ▶ For applicable ER nut, Sealing disk, please refer to page D307 & D309.

ER COLLET CHUCK

ER

ER COLLET CHUCK (SLIM)

SPANN FUTTER - ER
MANDRIN À PINCES - ER
MANDRINO PORTA PINZE - ER
PORTAPINZAS - ER



Unit : mm									
TAPER No.	MODEL No.	EDP No.	CLAMPING RANGE	L	D	G	H	NUT / COLLET	WEIGHT (Kg)
30	BT30-ER11M-50	P2802601	0.5 - 7.0	50	16	M6	29.5	ER11M / ER11	0.50
	BT30-ER11M-75	P2802602	0.5 - 7.0	75	16	M6	29.5	ER11M / ER11	0.50
	BT30-ER11M-100	P2802603	0.5 - 7.0	100	16	M6	29.5	ER11M / ER11	0.60
	BT30-ER16M-50	P2802604	0.5 - 10.0	50	22	M10	38	ER16M / ER16	0.50
	BT30-ER16M-75	P2802605	0.5 - 10.0	75	22	M10	38	ER16M / ER16	0.50
	BT30-ER16M-100	P2802606	0.5 - 10.0	100	22	M10	38	ER16M / ER16	0.60
	BT30-ER20M-50	P2802607	0.5 - 13.0	50	28	M12	44.5	ER20M / ER20	0.50
	BT30-ER20M-75	P2802608	0.5 - 13.0	75	28	M12	44.5	ER20M / ER20	0.60
	BT30-ER20M-100	P2802609	0.5 - 13.0	100	28	M12	44.5	ER20M / ER20	0.70
	BT30-ER25M-50	P2802610	1.0 - 16.0	50	35	M12	52	ER25M / ER25	0.60
	BT30-ER25M-75	P2802611	1.0 - 16.0	75	35	M12	52	ER25M / ER25	0.70
	BT30-ER25M-100	P2802612	1.0 - 16.0	100	35	M12	52	ER25M / ER25	0.80
40	BT40-ER11M-60	P2802613	0.5 - 7.0	60	16	M6	29.5	ER11M / ER11	1.00
	BT40-ER11M-90	P2802614	0.5 - 7.0	90	16	M6	29.5	ER11M / ER11	1.10
	BT40-ER11M-135	P2802615	0.5 - 7.0	135	16	M6	29.5	ER11M / ER11	1.20
	BT40-ER16M-60	P2802616	0.5 - 10.0	60	22	M10	38	ER16M / ER16	1.10
	BT40-ER16M-90	P2802617	0.5 - 10.0	90	22	M10	38	ER16M / ER16	1.20
	BT40-ER16M-135	P2802618	0.5 - 10.0	135	22	M10	38	ER16M / ER16	1.40
	BT40-ER20M-60	P2802619	0.5 - 13.0	60	28	M12	44.5	ER20M / ER20	1.10
	BT40-ER20M-90	P2802620	0.5 - 13.0	90	28	M12	44.5	ER20M / ER20	1.50
	BT40-ER20M-150	P2802621	0.5 - 13.0	150	28	M12	44.5	ER20M / ER20	1.80
	BT40-ER25M-60	P2802622	1.0 - 16.0	60	35	M12	52	ER25M / ER25	1.20
	BT40-ER25M-90	P2802623	1.0 - 16.0	90	35	M12	52	ER25M / ER25	1.40
	BT40-ER25M-150	P2802624	1.0 - 16.0	150	35	M12	52	ER25M / ER25	1.80
50	BT50-ER11M-90	P2802625	0.5 - 7.0	90	16	M6	29.5	ER11M / ER11	3.80
	BT50-ER11M-120	P2802626	0.5 - 7.0	120	16	M6	29.5	ER11M / ER11	3.90
	BT50-ER11M-165	P2802627	0.5 - 7.0	165	16	M6	29.5	ER11M / ER11	4.00
	BT50-ER16M-90	P2802628	0.5 - 10.0	90	22	M10	38	ER16M / ER16	3.80
	BT50-ER16M-120	P2802629	0.5 - 10.0	120	22	M10	38	ER16M / ER16	4.00
	BT50-ER16M-165	P2802630	0.5 - 10.0	165	22	M10	38	ER16M / ER16	4.20
	BT50-ER20M-75	P2802631	0.5 - 13.0	75	28	M12	44.5	ER20M / ER20	3.80
	BT50-ER20M-105	P2802632	0.5 - 13.0	105	28	M12	44.5	ER20M / ER20	3.90
	BT50-ER20M-165	P2802633	0.5 - 13.0	165	28	M12	44.5	ER20M / ER20	4.50
	BT50-ER25M-75	P2802634	1.0 - 16.0	75	35	M12	52	ER25M / ER25	3.90
	BT50-ER25M-105	P2802635	1.0 - 16.0	105	35	M12	52	ER25M / ER25	4.10

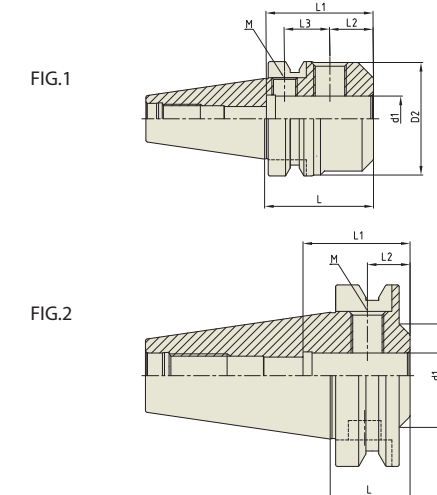
- ▶ Inch type products are available.
- ▶ For applicable ER collet, please refer to page D296~D304.
- ▶ For applicable ER nut, Sealing disk and Spanner, please refer to page D307 & D309.

END MILL HOLDER

EMH

END MILL HOLDER (SHORT TYPE)

FRÄSERFUTTER UND FLÄCHENSPANNFUTTER
MANDRIN PORTE FRAISE À QUEUE CYLINDRIQUE, À MÉPLAT
MANDRINI PORTA FRESA TIPO WELDON
PORTAFRESAS Y EJES DE SUJECCION LATERAL

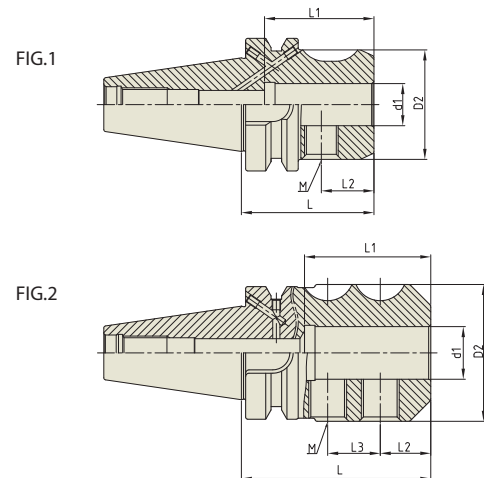


Unit : mm											
TAPER No.	MODEL No.	EDP No.	d1	D2	L	L1	L2	L3	M	FIG.	WEIGHT (Kg)
40	BT40-EMH25-60	P2773085	25	62	60	59	24	25	M18/M14	1	1.50
	BT40-EMH32-65	P2773086	32	62	65	63	24	28	M20/M14	1	1.45
50	BT50-EMH25-44	P2773087	25	57	44	59	24	-	M18	2	3.45
	BT50-EMH32-60	P2773088	32	72	60	63	24	28	M20/M14	1	3.80

- ▶ Inch type products are available.

END MILL HOLDER

FRÄSERFUTTER UND FLÄCHENSPANNFUTTER
 MANDRIN PORTE FRAISE À QUEUE CYLINDRIQUE, À MÉPLAT
 MANDRINI PORTA FRESA TIPO WELDON
 PORTAFRESAS Y EJES DE SUJECCION LATERAL



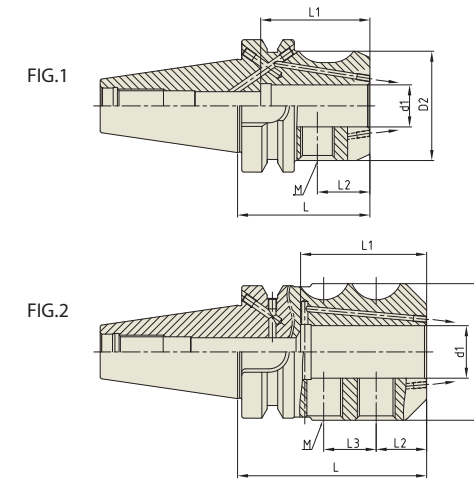
Unit : mm

TAPER No.	MODEL No.	EDP No.	d1	D2	L	L1	L2	L3	M	FIG.	WEIGHT (Kg)
30	BT30-EMH6-50	P2772951A	6	25	50	37	18	-	M6	1	0.47
	BT30-EMH8-50	P2772952A	8	28	50	37	18	-	M8	1	0.49
	BT30-EMH10-50	P2772953A	10	35	50	41	20	-	M10	1	0.55
	BT30-EMH12-55	P2772954A	12	42	55	46	22.5	-	M12	1	0.67
	BT30-EMH14-55	P2772955A	14	44	55	46	22.5	-	M12	1	0.68
	BT30-EMH16-63	P2772956A	16	48	63	54	24	-	M14	1	0.83
	BT30-EMH18-63	P2772958A	18	50	63	49	24	-	M14	1	0.85
	BT30-EMH20-70	P2772957A	20	52	70	48	25	-	M16	1	0.98
40	BT40AD/B-EMH6-50	P2773031	6	25	50	35	18	-	M6	1	1.00
	BT40AD/B-EMH8-50	P2773032	8	28	50	37	18	-	M8	1	1.00
	BT40AD/B-EMH10-63	P2773033	10	35	63	39	20	-	M10	1	1.10
	BT40AD/B-EMH12-63	P2773034	12	42	63	44	22.5	-	M12	1	1.30
	BT40AD/B-EMH14-63	P2773035	14	44	63	49	22.5	-	M12	1	1.40
	BT40AD/B-EMH16-63	P2773036	16	48	63	52	24	-	M14	1	1.70
	BT40AD/B-EMH18-63	P2773037	18	50	63	52	24	-	M14	1	1.70
	BT40AD/B-EMH20-63	P2773038	20	52	63	52	25	-	M16	1	1.80
	BT40AD/B-EMH25-90	P2773039	25	65	90	60	24	25	M18	2	1.80
	BT40AD/B-EMH32-100	P2773040	32	72	100	64	24	28	M20	2	2.00
50	BT50AD/B-EMH6-63	P2773041	6	25	63	35	18	-	M6	1	3.30
	BT50AD/B-EMH8-63	P2773042	8	28	63	35	18	-	M8	1	3.60
	BT50AD/B-EMH10-65	P2773043	10	35	65	39	20	-	M10	1	3.80
	BT50AD/B-EMH12-80	P2773044	12	42	80	46	22.5	-	M12	1	3.80
	BT40AD/B-EMH14-80	P2773045	14	44	80	46	22.5	-	M12	1	4.00
	BT50AD/B-EMH16-80	P2773046	16	48	80	49	24	-	M14	1	4.00
	BT50AD/B-EMH18-80	P2773047	18	50	80	49	24	-	M14	1	4.20
	BT50AD/B-EMH20-80	P2773048	20	52	80	52	25	-	M16	1	4.20
	BT50AD/B-EMH25-100	P2773049	25	65	100	60	24	25	M18	2	4.60
	BT50AD/B-EMH32-105	P2773050	32	72	105	64	24	28	M20	2	4.70
	BT50AD/B-EMH40-120	P2773051	40	80	120	73	30	32	M20	2	4.90

- ▶ Inch type products are available.
- ▶ Standard End Mill Holder is for a cutting tool with Weldon shank and End Mill Holder for a cutting tool with Whistle notch is available upon request.
- ▶ Combi-style Holder with ball jointed clamping screw which can be used with cutting tools with Weldon and Whistle notch shank is available.
- ▶ Balancing grade G2.5 at 25,000RPM or U max. < 1gmm.

END MILL HOLDER (COOLANT CHANNEL)

FRÄSERFUTTER UND FLÄCHENSPANNFUTTER
 MANDRIN PORTE FRAISE À QUEUE CYLINDRIQUE, À MÉPLAT
 MANDRINI PORTA FRESA TIPO WELDON
 PORTAFRESAS Y EJES DE SUJECCION LATERAL



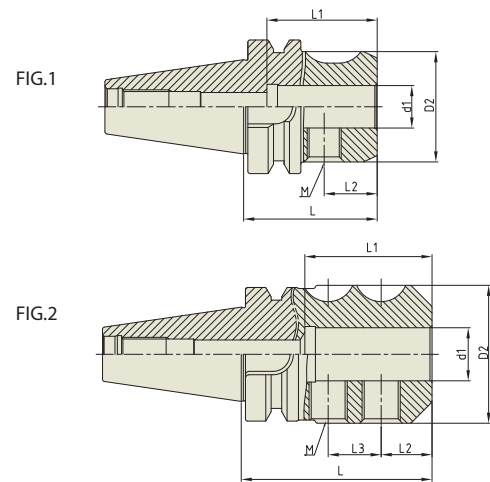
Unit : mm

TAPER No.	MODEL No.	EDP No.	d1	D2	L	L1	L2	L3	M	FIG.	WEIGHT (Kg)
40	BT40AD/B-EMH6C-50	P2772991	6	25	50	35	18	-	M6	1	1.00
	BT40AD/B-EMH8C-50	P2772992	8	28	50	35	18	-	M8	1	1.00
	BT40AD/B-EMH10C-63	P2772993	10	35	63	39	20	-	M10	1	1.10
	BT40AD/B-EMH12C-63	P2772994	12	42	63	44	22.5	-	M12	1	1.30
	BT40AD/B-EMH14C-63	P2772995	14	44	63	49	22.5	-	M12	1	1.40
	BT40AD/B-EMH16C-63	P2772996	16	48	63	52	24	-	M14	1	1.70
	BT40AD/B-EMH18C-63	P2772997	18	50	63	50	24	-	M14	1	1.70
	BT40AD/B-EMH20C-63	P2772998	20	52	63	52	25	-	M16	1	1.80
	BT40AD/B-EMH25C-90	P2772999	25	65	90	60	24	25	M18	2	1.80
	BT40AD/B-EMH32C-100	P2773000	32	72	100	64	24	28	M20	2	2.00
50	BT50AD/B-EMH6C-63	P2773012	6	25	63	35	18	-	M6	1	3.30
	BT50AD/B-EMH8C-63	P2773013	8	28	63	35	18	-	M8	1	3.60
	BT50AD/B-EMH10C-65	P2773014	10	35	65	39	20	-	M10	1	3.80
	BT50AD/B-EMH12C-80	P2773015	12	42	80	46	22.5	-	M12	1	3.80
	BT40AD/B-EMH14C-80	P2773016	14	44	80	46	22.5	-	M12	1	4.00
	BT50AD/B-EMH16C-80	P2773017	16	48	80	49	24	-	M14	1	4.00
	BT50AD/B-EMH18C-80	P2773018	18	50	80	49	24	-	M14	1	4.20
	BT50AD/B-EMH20C-80	P2773019	20	52	80	52	25	-	M16	1	4.20
	BT50AD/B-EMH25C-100	P2773020	25	65	100	60	24	25	M18	2	4.60
	BT50AD/B-EMH32C-105	P2773021	32	72	105	64	24	28	M20	2	4.70
	BT50AD/B-EMH40C-120	P2773022	40	80	120	74	30	32	M20	2	4.90

- ▶ Inch type products are available.
- ▶ Standard End Mill Holder is for a cutting tool with Weldon shank and End Mill Holder for a cutting tool with Whistle notch is available upon request.
- ▶ Combi-style Holder with ball jointed clamping screw which can be used with cutting tools with Weldon and Whistle notch shank is available.
- ▶ Balancing grade G2.5 at 25,000RPM or U max. < 1gmm.

END MILL HOLDER

FRÄSERFUTTER UND FLÄCHENSPANNFUTTER
 MANDRIN PORTE FRAISE À QUEUE CYLINDRIQUE, À MÉPLAT
 MANDRINI PORTA FRESA TIPO WELDON
 PORTAFRESAS Y EJES DE SUJECCION LATERAL



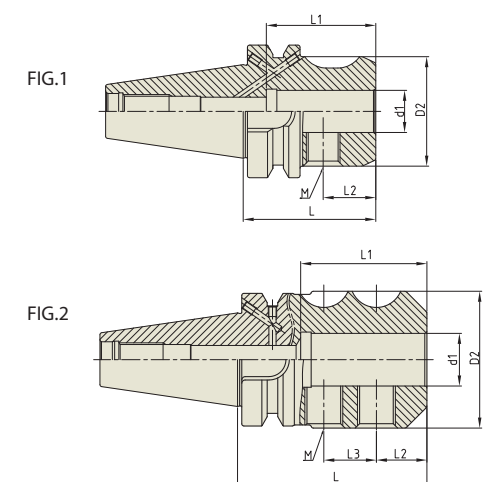
Unit : mm

TAPER No.	MODEL No.	EDP No.	d1	D2	L	L1	L2	L3	M	FIG.	WEIGHT (Kg)	
30	BT30-EMH6-50	P2776227A	6	25	50	37	18	-	M6	1	0.47	
	BT30-EMH8-50	P2776228A	8	28	50	37	18	-	M8	1	0.49	
	BT30-EMH10-50	P2776229A	10	35	50	41	20	-	M10	1	0.55	
	BT30-EMH12-55	P2776230A	12	42	55	46	22.5	-	M12	1	0.67	
	BT30-EMH14-55	P2776231A	14	44	55	46	22.5	-	M12	1	0.68	
	BT30-EMH16-63	P2776201A	16	48	63	54	24	-	M14	1	0.83	
	BT30-EMH18-63	P2776232A	18	50	63	49	24	-	M14	1	0.85	
	BT30-EMH20-70	P2776202A	20	52	70	48	25	-	M16	1	0.98	
40	BT40-EMH6-50	P2773061	6	25	50	35	18	-	M6	1	1.00	
	BT40-EMH8-50	P2773062	8	28	50	37	18	-	M8	1	1.00	
	BT40-EMH10-63	P2773063	10	35	63	39	20	-	M10	1	1.10	
	BT40-EMH12-63	P2773064	12	42	63	44	22.5	-	M12	1	1.30	
	BT40-EMH14-63	P2773065	14	44	63	49	22.5	-	M12	1	1.40	
	BT40-EMH16-63	P2773066	16	48	63	52	24	-	M14	1	1.70	
	BT40-EMH18-63	P2773067	18	50	63	52	24	-	M14	1	1.70	
	BT40-EMH20-63	P2773068	20	52	63	52	25	-	M16	1	1.80	
	BT40-EMH25-90	P2773069	25	65	90	60	24	25	M18	2	1.80	
	BT40-EMH32-100	P2773070	32	72	100	64	24	28	M20	2	2.00	
	50	BT50-EMH6-63	P2773071	6	25	63	35	18	-	M6	1	3.30
		BT50-EMH8-63	P2773072	8	28	63	35	18	-	M8	1	3.60
BT50-EMH10-65		P2773073	10	35	65	39	20	-	M10	1	3.80	
BT50-EMH12-80		P2773074	12	42	80	46	22.5	-	M12	1	3.80	
BT40-EMH14-80		P2773075	14	44	80	46	22.5	-	M12	1	4.00	
BT50-EMH16-80		P2773076	16	48	80	49	24	-	M14	1	4.00	
BT50-EMH18-80		P2773077	18	50	80	49	24	-	M14	1	4.20	
BT50-EMH20-80		P2773078	20	52	80	52	25	-	M16	1	4.20	
BT50-EMH25-100		P2773079	25	65	100	60	24	25	M18	2	4.60	
BT50-EMH32-105		P2773080	32	72	105	64	24	28	M20	2	4.70	
BT50-EMH40-120		P2773081	40	80	120	73	30	32	M20	2	4.90	

- ▶ Inch type products are available.
- ▶ Standard End Mill Holder is for a cutting tool with Weldon shank and End Mill Holder for a cutting tool with Whistle notch is available upon request.
- ▶ Combi-style Holder with ball jointed clamping screw which can be used with cutting tools with Weldon and Whistle notch shank is available.

END MILL HOLDER

FRÄSERFUTTER UND FLÄCHENSPANNFUTTER
 MANDRIN PORTE FRAISE À QUEUE CYLINDRIQUE, À MÉPLAT
 MANDRINI PORTA FRESA TIPO WELDON
 PORTAFRESAS Y EJES DE SUJECCION LATERAL



Unit : mm

TAPER No.	MODEL No.	EDP No.	d1	D2	L	L1	L2	L3	M	FIG.	WEIGHT (Kg)
40	BT40AD/B-EMH6-50	P2780301	6	25	50	35	18	-	M6	1	1.00
	BT40AD/B-EMH8-50	P2780302	8	28	50	37	18	-	M8	1	1.00
	BT40AD/B-EMH10-63	P2780303	10	35	63	39	20	-	M10	1	1.10
	BT40AD/B-EMH12-63	P2780304	12	42	63	44	22.5	-	M12	1	1.30
	BT40AD/B-EMH14-63	P2780305	14	44	63	49	22.5	-	M12	1	1.40
	BT40AD/B-EMH16-63	P2780306	16	48	63	52	24	-	M14	1	1.70
	BT40AD/B-EMH18-63	P2780307	18	50	63	52	24	-	M14	1	1.70
	BT40AD/B-EMH20-63	P2780308	20	52	63	52	25	-	M16	1	1.80
	BT40AD/B-EMH25-90	P2780309	25	65	90	60	24	25	M18	2	1.80
	BT40AD/B-EMH32-100	P2780310	32	72	100	64	24	28	M20	2	2.00
50	BT50AD/B-EMH6-63	P2780311	6	25	63	35	18	-	M6	1	3.30
	BT50AD/B-EMH8-63	P2780312	8	28	63	35	18	-	M8	1	3.60
	BT50AD/B-EMH10-65	P2780313	10	35	65	39	20	-	M10	1	3.80
	BT50AD/B-EMH12-80	P2780314	12	42	80	46	22.5	-	M12	1	3.80
	BT40AD/B-EMH14-80	P2780315	14	44	80	46	22.5	-	M12	1	4.00
	BT50AD/B-EMH16-80	P2780316	16	48	80	49	24	-	M14	1	4.00
	BT50AD/B-EMH18-80	P2780317	18	50	80	49	24	-	M14	1	4.20
	BT50AD/B-EMH20-80	P2780318	20	52	80	52	25	-	M16	1	4.20
	BT50AD/B-EMH25-100	P2780319	25	65	100	60	24	25	M18	2	4.60
	BT50AD/B-EMH32-105	P2780320	32	72	105	64	24	28	M20	2	4.70
BT50AD/B-EMH40-120	P2780321	40	80	120	73	30	32	M20	2	4.90	

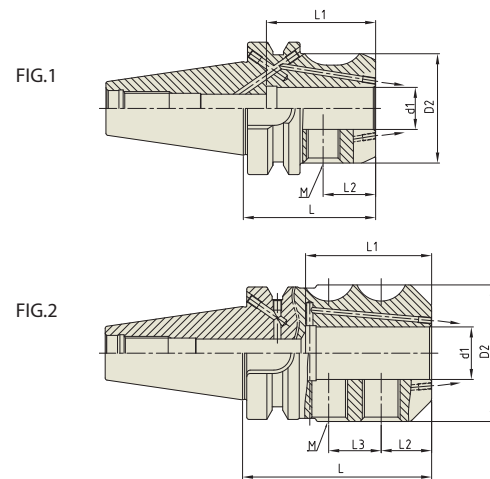
- ▶ Inch type products are available.
- ▶ Standard End Mill Holder is for a cutting tool with Weldon shank and End Mill Holder for a cutting tool with Whistle notch is available upon request.
- ▶ Combi-style Holder with ball jointed clamping screw which can be used with cutting tools with Weldon and Whistle notch shank is available.

YG END MILL HOLDER

EMH

END MILL HOLDER (COOLANT CHANNEL)

FRÄSERFUTTER UND FLÄCHENSPANNFUTTER
 MANDRIN PORTE FRAISE À QUEUE CYLINDRIQUE, À MÉPLAT
 MANDRINI PORTA FRESA TIPO WELDON
 PORTAFRESAS Y EJES DE SUJECCION LATERAL



Unit : mm

TAPER No.	MODEL No.	EDP No.	d1	D2	L	L1	L2	L3	M	FIG.	WEIGHT (Kg)
40	BT40AD/B-EMH6C-50	P2778001	6	25	50	35	18	-	M6	1	1.00
	BT40AD/B-EMH8C-50	P2778002	8	28	50	35	18	-	M8	1	1.00
	BT40AD/B-EMH10C-63	P2778003	10	35	63	39	20	-	M10	1	1.10
	BT40AD/B-EMH12C-63	P2778004	12	42	63	44	22.5	-	M12	1	1.30
	BT40AD/B-EMH14C-63	P2778005	14	44	63	49	22.5	-	M12	1	1.40
	BT40AD/B-EMH16C-63	P2778006	16	48	63	52	24	-	M14	1	1.70
	BT40AD/B-EMH18C-63	P2778007	18	50	63	50	24	-	M14	1	1.70
	BT40AD/B-EMH20C-63	P2778008	20	52	63	52	25	-	M16	1	1.80
	BT40AD/B-EMH25C-90	P2778009	25	65	90	60	24	25	M18	2	1.80
	BT40AD/B-EMH32C-100	P2778010	32	72	100	64	24	28	M20	2	2.00
50	BT50AD/B-EMH6C-63	P2778011	6	25	63	35	18	-	M6	1	3.30
	BT50AD/B-EMH8C-63	P2778012	8	28	63	35	18	-	M8	1	3.60
	BT50AD/B-EMH10C-65	P2778013	10	35	65	39	20	-	M10	1	3.80
	BT50AD/B-EMH12C-80	P2778014	12	42	80	46	22.5	-	M12	1	3.80
	BT50AD/B-EMH14C-80	P2778015	14	44	80	46	22.5	-	M12	1	4.00
	BT50AD/B-EMH16C-80	P2778016	16	48	80	49	24	-	M14	1	4.00
	BT50AD/B-EMH18C-80	P2778017	18	50	80	49	24	-	M14	1	4.20
	BT50AD/B-EMH20C-80	P2778018	20	52	80	52	25	-	M16	1	4.20
	BT50AD/B-EMH25C-100	P2778019	25	65	100	60	24	25	M18	2	4.60
	BT50AD/B-EMH32C-105	P2778020	32	72	105	64	24	28	M20	2	4.70
	BT50AD/B-EMH40C-120	P2778021	40	80	120	74	30	32	M20	2	4.90

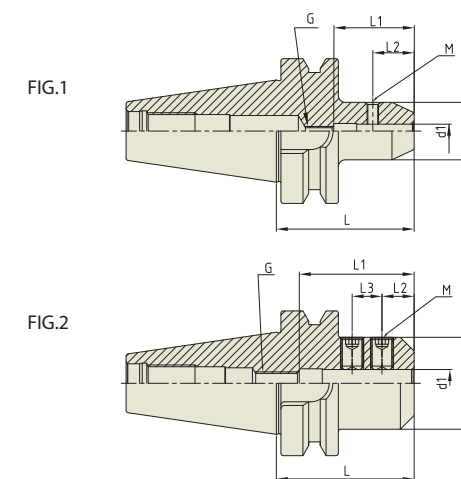
- ▶ Inch type products are available.
- ▶ Standard End Mill Holder is for a cutting tool with Weldon shank and End Mill Holder for a cutting tool with Whistle notch is available upon request.
- ▶ Combi-style Holder with ball jointed clamping screw which can be used with cutting tools with Weldon and Whistle notch shank is available.

YG SIDE LOCK ARBOR

SLA

SIDE LOCK ARBOR

FRÄSERFUTTER UND FLÄCHENSPANNFUTTER
 MANDRIN PORTE FRAISE À QUEUE CYLINDRIQUE, À MÉPLAT
 MANDRINI PORTA FRESA TIPO WELDON
 PORTAFRESAS Y EJES DE SUJECCION LATERAL



Unit : mm

TAPER No.	MODEL No.	EDP No.	d1	D2	L	L1	L2	L3	M	G	FIG.	WEIGHT (Kg)
30	BT30-SLA6-60	P2780201	6	25	60	35	18	-	M5	M5	1	0.70
	BT30-SLA8-60	P2780202	8	28	60	35	18	-	M6	M6	1	0.80
	BT30-SLA10-60	P2780203	10	35	60	50	14	13	M8	M8	2	0.90
	BT30-SLA12-60	P2780204	12	40	60	50	14	13	M10	M10	2	1.10
	BT30-SLA14-60	P2780205	14	40	60	50	14	13	M10	M10	2	1.20
	BT30-SLA16-75	P2780206	16	40	75	70	25	20	M12	M12	2	1.30
	BT30-SLA20-75	P2780207	20	50	75	70	25	20	M12	M12	2	1.40
	BT30-SLA25-75	P2780208	25	50	75	70	25	20	M14	M12	2	1.50
	BT30-SLA32-105	P2780209	32	60	105	80	25	25	M16	M12	2	1.60
	40	BT40-SLA6-60	P2780210	6	25	60	35	18	-	M5	M5	1
BT40-SLA8-60		P2780211	8	28	60	35	18	-	M6	M6	1	1.10
BT40-SLA10-60		P2780212	10	35	60	50	14	13	M8	M8	2	1.20
BT40-SLA12-60		P2780213	12	40	60	50	14	13	M10	M10	2	1.40
BT40-SLA16-90		P2780214	16	40	90	70	25	20	M12	M12	2	1.50
BT40-SLA20-90		P2780215	20	50	90	70	25	20	M12	M12	2	1.80
BT40-SLA25-90		P2780216	25	50	90	70	25	20	M14	M12	2	1.70
BT40-SLA32-90		P2780217	32	60	90	80	25	25	M16	M12	2	1.90
BT40-SLA40-90		P2780218	40	63	90	80	25	25	M16	M12	2	1.80
BT40-SLA42-90		P2780219	42	63	90	80	25	25	M16	M12	2	1.80
50		BT50-SLA6-90	P2780220	6	25	90	40	18	-	M5	M5	1
	BT50-SLA8-90	P2780221	8	28	90	40	18	-	M6	M6	1	3.90
	BT50-SLA10-90	P2780222	10	35	90	50	15	15	M8	M8	2	4.10
	BT50-SLA12-90	P2780223	12	40	90	55	15	15	M10	M10	2	4.30
	BT50-SLA14-90	P2780224	14	40	90	55	15	15	M10	M10	2	4.30
	BT50-SLA16-105	P2780225	16	40	105	70	25	20	M12	M12	2	4.40
	BT50-SLA20-105	P2780226	20	50	105	70	25	20	M12	M12	2	4.80
	BT50-SLA25-105	P2780227	25	50	105	70	25	20	M14	M12	2	4.70
	BT50-SLA32-105	P2780228	32	60	105	80	25	25	M16	M12	2	4.00
	BT50-SLA40-105	P2780229	40	70	105	80	25	25	M16	M12	2	4.50
	BT50-SLA42-105	P2780230	42	70	105	80	25	25	M16	M12	2	4.70
BT50-SLA50.8-121	P2780231	50.8	95	121	87	33.9	35.8	M20	-	2	5.00	

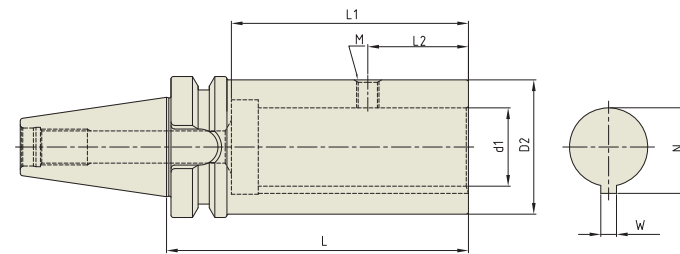
- ▶ Inch type products are available.
- ▶ Standard design of Side Lock Arbor is for cutting tools with straight shank having flat face.
- ▶ Side Lock Arbor is Non-Balancing.

YIG SIDE LOCK ARBOR

SLB

SIDE LOCK ARBOR

FRÄSERFUTTER UND FLÄCHENSPANNFUTTER
 MANDRIN PORTE FRAISE À QUEUE CYLINDRIQUE, À MÉPLAT
 MANDRINI PORTA FRESA TIPO WELDON
 PORTAFRESAS Y EJES DE SUJECCION LATERAL



Unit : mm

TAPER No.	MODEL No.	EDP No.	d1	D2	L	L1	L2	M	N	W	WEIGHT (Kg)
40	BT40-SLB26-105	P2778051	26	50	105	85	40	M10	28.2	5	1.30
	BT40-SLB35-135	P2778052	35	60	135	105	55	M10	37.6	6	2.20
	BT40-SLB35T-135	P2778053	35	60	135	105	55	M10	38.2	7	2.20
50	BT50-SLB26-105	P2778054	26	50	105	85	40	M10	28.2	5	1.30
	BT50-SLB35-135	P2778055	35	60	135	106	55	M10	37.6	6	2.20
	BT50-SLB35T-135	P2778056	35	60	135	106	55	M10	38.2	7	2.20
	BT50-SLB48-165	P2778057	48	80	165	129	65	M10	51	8	3.80

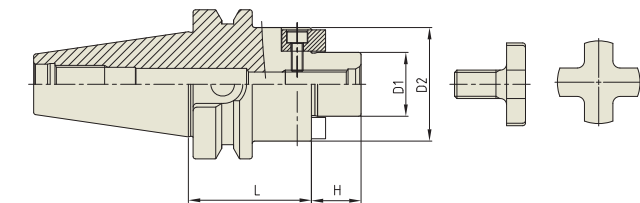
- ▶ Inch type products are available.
- ▶ Standard design of Side Lock Arbor is for cutting tools with straight shank having flat face.
- ▶ Side Lock Arbor is Non-Balancing.

YIG SHELL MILL ARBOR

SMA

SHELL MILL ARBOR

FRÄSERFUTTER UND FLÄCHENSPANNFUTTER
 MANDRIN PORTE FRAISE À QUEUE CYLINDRIQUE, À MÉPLAT
 MANDRINI PORTA FRESA TIPO WELDON
 PORTAFRESAS Y EJES DE SUJECCION LATERAL



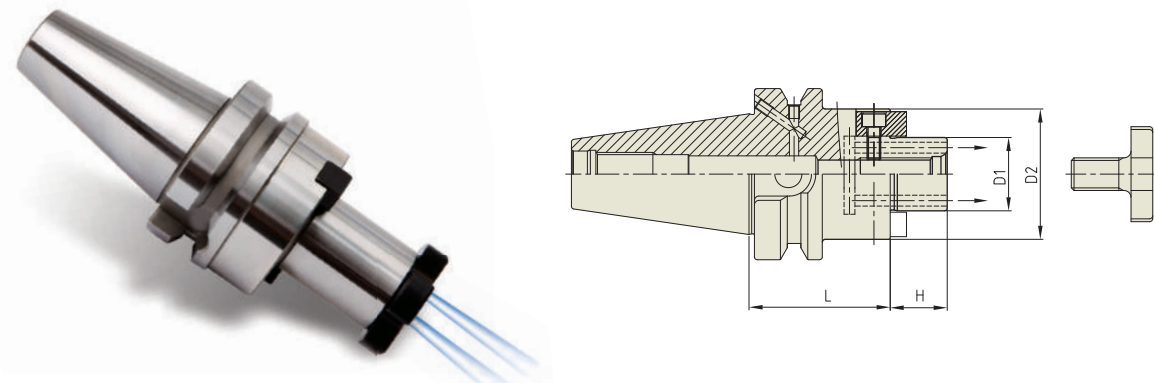
Unit : mm

TAPER No.	MODEL No.	EDP No.	D1	D2	L	H	BOLT	WEIGHT (Kg)
30	BT30-SMA16-50	P2778801	16	32	50	17	M8x16L	0.58
	BT30-SMA22-50	P2778802	22	40	50	19	M10x18L	0.70
	BT30-SMA27-50	P2778803	27	48	50	21	M12x22L	0.85
40	BT40-SMA16-60	P2778804	16	32	60	17	M8x16L	1.17
	BT40-SMA16-120	P2778815	16	32	120	17	M8x16L	1.50
	BT40-SMA22-60	P2778805	22	40	60	19	M10x18L	1.31
	BT40-SMA22-120	P2778816	22	40	120	19	M10x18L	1.85
	BT40-SMA27-60	P2778806	27	48	60	21	M12x22L	1.48
	BT40-SMA27-120	P2778817	27	48	120	21	M12x22L	2.27
	BT40-SMA32-60	P2778807	32	58	60	24	M16x26L	1.72
	BT40-SMA32-120	P2778818	32	58	120	24	M16x26L	2.90
	BT40-SMA40-60	P2778808	40	70	60	27	M20x30L	2.00
50	BT50-SMA16-75	P2778809	16	32	75	17	M8x16L	3.75
	BT50-SMA16-120	P2778819	16	32	120	17	M8x16L	4.03
	BT50-SMA22-75	P2778810	22	40	75	19	M10x18L	3.90
	BT50-SMA22-120	P2778820	22	40	120	19	M10x18L	4.25
	BT50-SMA27-75	P2778811	27	48	75	21	M12x22L	4.09
	BT50-SMA27-120	P2778821	27	48	120	21	M12x22L	4.56
	BT50-SMA32-75	P2778812	32	58	75	24	M16x26L	4.35
	BT50-SMA32-120	P2778822	32	58	120	24	M16x26L	5.22
	BT50-SMA40-75	P2778813	40	70	75	27	M20x30L	4.77
	BT50-SMA40-120	P2778823	40	70	120	27	M20x30L	6.04
	BT50-SMA50-75	P2778814	50	90	75	30	M24x36L	5.60

- ▶ Inch type products are available.
- ▶ For parts, please refer to page D311.

SHELL MILL ARBOR (COOLANT CHANNEL & SMALL FACE)

AUFNAHMEDORN FÜR FRÄSER MIT BOHRUNG
 MANDRIN PORTE-FRAISES
 MANDRINO CON TRASCINAMENTO FISSO
 PORTA FRESAS

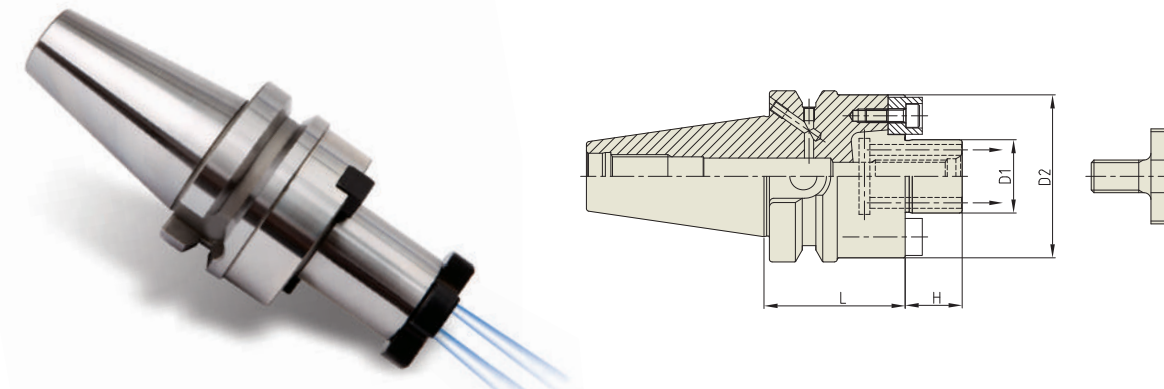


Unit : mm								
TAPER No.	MODEL No.	EDP No.	D1	D2	L	H	BOLT	WEIGHT (Kg)
30	BT30-SMA16C-40	P2803601C	16	32	40	17	M8x16L	0.55
	BT30-SMA22C-40	P2803602C	22	40	40	19	M10x18L	0.61
	BT30-SMA22C-100	P2803603C	22	40	100	19	M10x18L	1.18
	BT30-SMA27C-40	P2803604C	27	48	40	21	M12x22L	0.86
	BT30-SMA27C-100	P2803605C	27	48	100	21	M12x22L	1.67
40	BT40AD/B-SMA16C-60	P2801024C	16	32	60	17	M8x16L	1.00
	BT40AD/B-SMA22C-60	P2801025C	22	40	60	19	M10x18L	1.20
	BT40AD/B-SMA22C-100	P2803607C	22	40	100	19	M10x18L	1.65
	BT40AD/B-SMA27C-60	P2801026C	27	48	60	21	M12x22L	1.34
	BT40AD/B-SMA27C-100	P2803608C	27	48	100	21	M12x22L	1.99
	BT40AD/B-SMA32C-60	P2801027C	32	58	60	24	M16x26L	1.55
50	BT40AD/B-SMA40C-60	P2803610C	40	70	60	27	M20x30L	1.97
	BT50AD/B-SMA16C-75	P2801029C	16	32	75	17	M8x16L	3.00
	BT50AD/B-SMA16C-120	P2801039C	16	32	120	17	M8x16L	3.40
	BT50AD/B-SMA22C-75	P2801030C	22	40	75	19	M10x18L	3.72
	BT50AD/B-SMA22C-100	P2803614C	22	40	100	19	M10x18L	4.06
	BT50AD/B-SMA22C-120	P2801040C	22	40	120	19	M10x18L	4.40
	BT50AD/B-SMA22C-160	P2803616C	22	40	160	19	M10x18L	4.61
	BT50AD/B-SMA27C-75	P2801031C	27	48	75	21	M12x22L	3.87
	BT50AD/B-SMA27C-100	P2803618C	27	48	100	21	M12x22L	4.37
	BT50AD/B-SMA27C-120	P2801041C	27	48	120	21	M12x22L	4.68
	BT50AD/B-SMA27C-160	P2803620C	27	48	160	21	M12x22L	5.18
	BT50AD/B-SMA32C-75	P2801032C	32	58	75	24	M16x26L	4.08
	BT50AD/B-SMA32C-100	P2803622C	32	58	100	24	M16x26L	4.80
	BT50AD/B-SMA32C-120	P2801042C	32	58	120	24	M16x26L	5.40
	BT50AD/B-SMA32C-160	P2803624C	32	58	160	24	M16x26L	5.98
	BT50AD/B-SMA40C-75	P2801033C	40	70	75	27	M20x30L	4.41
	BT50AD/B-SMA40C-100	P2803626C	40	70	100	27	M20x30L	5.45
BT50AD/B-SMA40C-120	P2801043C	40	70	120	27	M20x30L	6.00	
BT50AD/B-SMA40C-160	P2803628C	40	70	160	27	M20x30L	7.15	

- ▶ Inch type products are available.
- ▶ With "Coolant Through" by coolant channels.
- ▶ For parts, please refer to page D311.

SHELL MILL ARBOR (COOLANT CHANNEL & LARGE FACE)

AUFNAHMEDORN FÜR FRÄSER MIT BOHRUNG
 MANDRIN PORTE-FRAISES
 MANDRINO CON TRASCINAMENTO FISSO
 PORTA FRESAS



Unit : mm								
TAPER No.	MODEL No.	EDP No.	D1	D2	L	H	BOLT	WEIGHT (Kg)
40	BT40AD/B-SMA16CE-45	P2803701CE	16	38	45	17	M8x16L	1.09
	BT40AD/B-SMA16CE-100	P2803702CE	16	38	100	17	M8x16L	1.57
	BT40AD/B-SMA22CE-45	P2803703CE	22	48	45	19	M10x18L	1.22
	BT40AD/B-SMA22CE-100	P2803704CE	22	48	100	19	M10x18L	1.97
	BT40AD/B-SMA27CE-45	P2803705CE	27	60	45	21	M12x22L	1.39
	BT40AD/B-SMA27CE-100	P2803706CE	27	60	100	21	M12x22L	2.58
50	BT40AD/B-SMA32CE-50	P2803707CE	32	78	50	24	M16x26L	1.80
	BT40AD/B-SMA40CE-50	P2803708CE	40	89	50	27	M20x30L	2.05
	BT50AD/B-SMA22CE-55	P2803709CE	22	48	55	19	M10x18L	3.72
	BT50AD/B-SMA22CE-100	P2803710CE	22	48	100	19	M10x18L	4.33
	BT50AD/B-SMA22CE-160	P2803711CE	22	48	160	19	M10x18L	5.14
	BT50AD/B-SMA27CE-55	P2803712CE	27	60	55	21	M12x22L	3.89
	BT50AD/B-SMA27CE-100	P2803713CE	27	60	100	21	M12x22L	4.86
	BT50AD/B-SMA27CE-160	P2803714CE	27	60	160	21	M12x22L	6.15
	BT50AD/B-SMA32CE-55	P2803715CE	32	78	55	24	M16x26L	4.21
	BT50AD/B-SMA32CE-100	P2803716CE	32	78	100	24	M16x26L	5.87
	BT50AD/B-SMA32CE-160	P2803717CE	32	78	160	24	M16x26L	8.08
BT50AD/B-SMA40CE-55	P2803718CE	40	89	55	27	M20x30L	4.52	
BT50AD/B-SMA40CE-100	P2803719CE	40	89	100	27	M20x30L	6.68	
BT50AD/B-SMA40CE-160	P2803720CE	40	89	160	27	M20x30L	9.57	

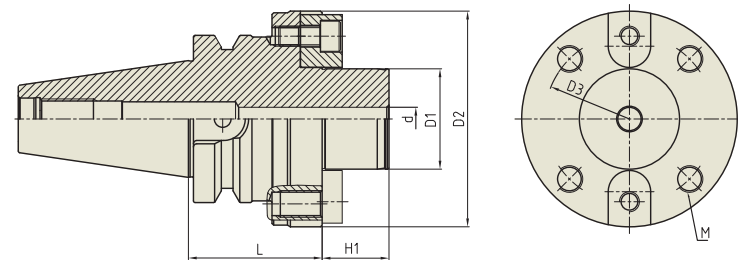
- ▶ Inch type products are available.
- ▶ With "Coolant Through" by coolant channels.
- ▶ For parts, please refer to page D311.



SMF

SHELL MILL ARBOR (FLANGE MOUNTING)

AUFNAHMEDORN FÜR FRÄSER MIT BOHRUNG
 MANDRIN PORTE-FRAISES
 MANDRINO CON TRASCINAMENTO FISSO
 PORTA FRESAS



Unit : mm											
TAPER No.	MODEL No.	EDP No.	d1	D1	D2	D3	L	H1	M (TAP)	DRIVE KEY & BOLT	WEIGHT (Kg)
50	BT50-SMF40-70	P2778838	14	40	89	66.7	70	30	4-M12	15.9 x 16 x 21.5, M6-15L	-
	BT50-SMF60-80	P2778839	14	60	129	101.6	80	40	4-M16	25.4 x 25.4 x 31.5, M12-25L	-

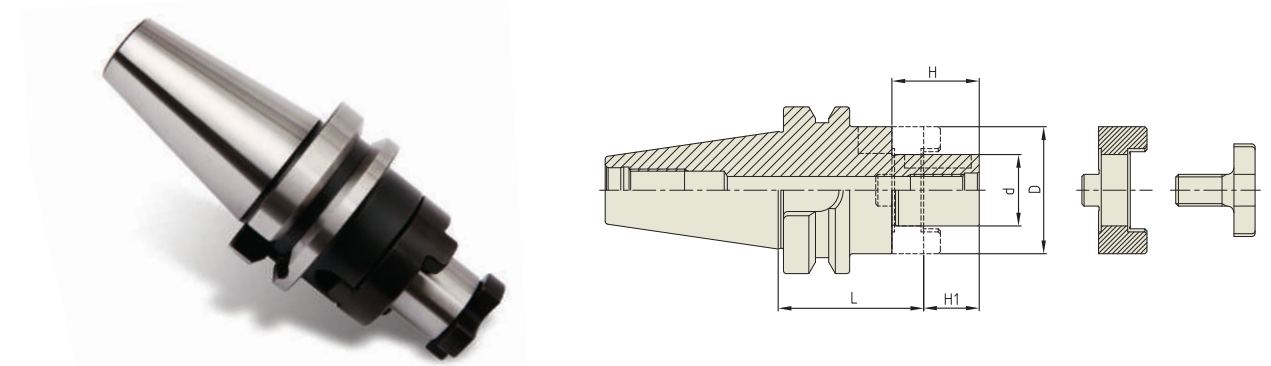
▶ Inch type products are available.



CMA

COMBI-SHELL MILL ARBOR

KOMBI-AUFNAHMEDORN FÜR FRÄSER MIT BOHRUNG
 MANDRIN PORTE-FRAISES COMBINÉS
 MANDRINO PORTA FRESE
 PORTA FRESAS COMBINADO



Unit : mm								
TAPER No.	MODEL No.	EDP No.	d	L	D	H1	H	WEIGHT (Kg)
30	BT30-CMA16-50	P2544001	16	50	32	17	27	0.61
	BT30-CMA22-50	P2544002	22	50	40	19	31	0.7
	BT30-CMA27-55	P2544003	27	55	48	21	33	0.92
40	BT40-CMA16-55	P2544004	16	55	32	17	27	1.14
	BT40-CMA16-100	P2544015	16	100	32	17	27	1.41
	BT40-CMA22-55	P2544005	22	55	40	19	31	1.26
	BT40-CMA22-100	P2544016	22	100	40	19	31	1.68
	BT40-CMA27-55	P2544006	27	55	48	21	33	1.42
	BT40-CMA27-100	P2544017	27	100	48	21	33	2.02
	BT40-CMA32-60	P2544007	32	60	58	24	38	1.72
	BT40-CMA32-100	P2544018	32	100	58	24	38	2.51
	BT40-CMA40-70	P2544024	40	70	70	27	41	2.46
50	BT50-CMA16-70	P2544009	16	70	32	17	27	3.74
	BT50-CMA16-100	P2544019	16	100	32	17	27	3.92
	BT50-CMA22-70	P2544010	22	70	40	19	31	3.86
	BT50-CMA22-100	P2544020	22	100	40	19	31	4.15
	BT50-CMA27-70	P2544011	27	70	48	21	33	4.04
	BT50-CMA27-100	P2544021	27	100	48	21	33	4.45
	BT50-CMA32-70	P2544012	32	70	58	24	38	4.28
	BT50-CMA32-100	P2544022	32	100	58	24	38	4.86
	BT50-CMA40-70	P2544013	40	70	70	27	41	4.62
	BT50-CMA40-100	P2544023	40	100	70	27	41	5.47
	BT50-CMA50-70	P2544014	50	70	90	30	46	5.48

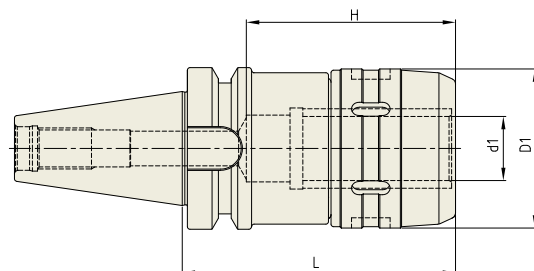
▶ Inch type products are available.
 ▶ For parts, please refer to page D312.

YG POWER MILLING CHUCK

C

HIGH-SPEED POWER MILLING CHUCK

HOCHGESCHWINDIGKEITS FRÄSERFUTTER
 MANDRIN PORTE FRAISE À GRANDE VITESSE
 MANDRINI PORTA FRESA PER ALTA VELOCITÀ
 PORTAHERRAMIENTAS PARA FRESADO DE ALTA VELOCIDAD



Unit : mm

TAPER No.	MODEL No.	EDP No.	d1	D1	L	H	WEIGHT (Kg)
30	BT30-C20-75HS	P2546101	20	54	75	70	1.50
	BT30-C25-80HS	P2546102	25	62	80	70	2.00
40	BT40-C20-80HS	P2546103	20	54	80	70	2.00
	BT40-C20-105HS	P2546104	20	54	105	70	2.10
	BT40-C25-105HS	P2546105	25	62	105	80	2.50
	BT40-C32-90HS	P2546106	32	72	90	100	3.00
	BT40-C32-105HS	P2546107	32	72	105	100	3.10
	BT40-C32-135HS	P2546108	32	72	135	100	3.30
50	BT50-C20-105HS	P2546109	20	54	105	70	4.50
	BT50-C20-135HS	P2546110	20	54	135	70	4.90
	BT50-C20-165HS	P2546111	20	54	165	70	5.40
	BT50-C25-105HS	P2546112	25	62	105	80	5.20
	BT50-C25-135HS	P2546113	25	62	135	80	5.80
	BT50-C25-165HS	P2546114	25	62	165	80	6.20
	BT50-C32-105HS	P2546115	32	72	105	100	6.00
	BT50-C32-135HS	P2546116	32	72	135	100	6.70
	BT50-C32-165HS	P2546117	32	72	165	100	7.40
	BT50-C42-115HS	P2546118	42	92	115	110	6.70
	BT50-C42-135HS	P2546119	42	92	135	110	7.60
	BT50-C42-165HS	P2546120	42	92	165	110	8.30

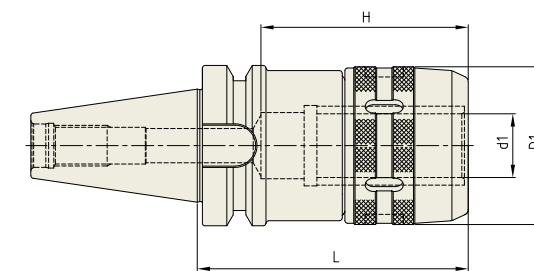
- ▶ Inch type products are available.
- ▶ Balancing Grade is adjusted on Basic holder only without Clamping Cap.
- ▶ For applicable collet and spanner, please refer to the page D314.

YG POWER MILLING CHUCK

C

POWER MILLING CHUCK

FRÄSERSPANNFUTTER
 MANDRIN PORTE FRAISE
 MANDRINI PORTA FRESA
 PORTAHERRAMIENTAS PARA FRESADO



Unit : mm

TAPER No.	MODEL No.	EDP No.	d1	D1	L	H	WEIGHT (Kg)
30	BT30-C20-75	P2546001	20	54	75	70	1.50
	BT30-C25-80	P2546002	25	62	80	70	2.00
40	BT40-C20-80	P2546003	20	54	80	70	2.00
	BT40-C20-105	P2546004	20	54	105	70	2.10
	BT40-C25-105	P2546005	25	62	105	80	2.50
	BT40-C32-90	P2546006	32	72	90	100	3.00
	BT40-C32-105	P2546007	32	72	105	100	3.10
	BT40-C32-135	P2546008	32	72	135	100	3.30
50	BT50-C20-105	P2546009	20	54	105	70	4.50
	BT50-C20-135	P2546010	20	54	135	70	4.90
	BT50-C20-165	P2546011	20	54	165	70	5.40
	BT50-C25-105	P2546012	25	62	105	80	5.20
	BT50-C25-135	P2546013	25	62	135	80	5.80
	BT50-C25-165	P2546014	25	62	165	80	6.20
	BT50-C32-105	P2546015	32	72	105	100	6.00
	BT50-C32-115	P2546016	32	72	115	100	6.20
	BT50-C32-135	P2546017	32	72	135	100	6.70
	BT50-C32-165	P2546018	32	72	165	100	7.40
	BT50-C42-115	P2546019	42	92	115	110	6.70
	BT50-C42-135	P2546020	42	92	135	110	7.60
BT50-C42-165	P2546121	42	92	165	110	8.30	

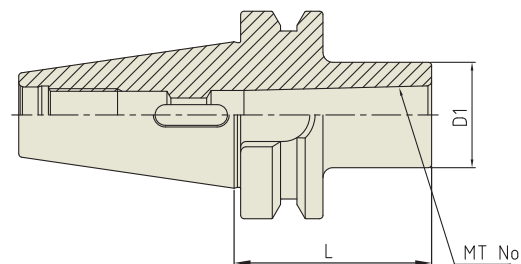
- ▶ Inch type products are available.
- ▶ For applicable collet and spanner, please refer to the page D314.

YG MORSE TAPER ARBOR

MTA

MORSE TAPER ARBOR

EINSATZHÜLSEN FÜR MORSEKEGEL
DOUILLES DE RÉDUCTION CÔNE MORSE
MANDRINO RIDUZIONE CONO MORSE
REDUCTORES A MORSE



Unit : mm							
TAPER No.	MODEL No.	EDP No.	MT No.	D1	L	WEIGHT (Kg)	
30	BT30-MTA1-45	P2542001	1	25	45	0.40	
	BT30-MTA2-60	P2542002	2	32	60	0.50	
	BT30-MTA2-120	P2542003	2	32	120	0.60	
	BT30-MTA3-75	P2542004	3	40	75	0.70	
40	BT40-MTA1-45	P2542005	1	25	45	1.00	
	BT40-MTA1-120	P2542006	1	25	120	1.30	
	BT40-MTA2-60	P2542013	2	32	60	1.00	
	BT40-MTA2-120	P2542009	2	32	120	1.40	
	BT40-MTA3-75	P2542014	3	40	75	1.20	
	BT40-MTA3-135	P2542010	3	40	135	1.80	
	BT40-MTA4-95	P2542007	4	50	95	1.10	
	BT40-MTA4-165	P2542011	4	50	165	2.40	
	50	BT50-MTA1-45	P2542008	1	25	45	4.00
		BT50-MTA1-120	P2542017	1	25	120	4.30
BT50-MTA1-180		P2542018	1	25	180	4.30	
BT50-MTA2-45		P2542015	2	32	45	4.00	
BT50-MTA2-135		P2542019	2	32	135	4.40	
BT50-MTA2-180		P2542020	2	32	180	4.60	
BT50-MTA3-45		P2542021	3	40	45	3.90	
BT50-MTA3-150		P2542022	3	40	150	4.70	
BT50-MTA3-180		P2542016	3	40	180	4.90	
BT50-MTA4-75		P2542023	4	50	75	4.00	
BT50-MTA4-105		P2542024	4	50	105	4.50	
BT50-MTA4-180		P2542025	4	50	180	5.40	
BT50-MTA5-105		P2542012	5	65	105	4.50	
BT50-MTA5-210		P2542026	5	65	210	7.20	
BT50-MTA5-270		P2542027	5	65	270	7.50	

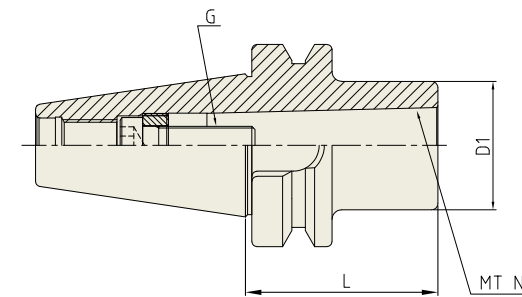
▶ Inch type products are available.

YG MORSE TAPER ARBOR

MTB

MORSE TAPER ARBOR

EINSATZHÜLSEN FÜR MORSEKEGEL
DOUILLES DE RÉDUCTION CÔNE MORSE
MANDRINO RIDUZIONE CONO MORSE
REDUCTORES A MORSE



Unit : mm							
TAPER No.	MODEL No.	EDP No.	MT No.	D1	L	G	WEIGHT (Kg)
30	BT30-MTB1-45	P2542028	1	25	45	M6×1.0	0.80
	BT30-MTB2-45	P2542029	2	32	45	M10×1.5	0.80
40	BT40-MTB1-45	P2600019	1	25	45	M6×1.0	1.00
	BT40-MTB2-45	P2600020	2	32	45	M10×1.5	1.10
	BT40-MTB3-60	P2543016	3	40	60	M12×1.75	1.10
	BT40-MTB4-85	P2600021	4	50	85	M16×2.0	1.30
50	BT50-MTB1-45	P2543008	1	25	45	M6×1.0	3.90
	BT50-MTB2-45	P2542030	2	32	45	M10×1.5	3.90
	BT50-MTB3-60	P2542031	3	40	60	M12×1.75	3.90
	BT50-MTB4-75	P2542032	4	50	75	M16×2.0	3.90

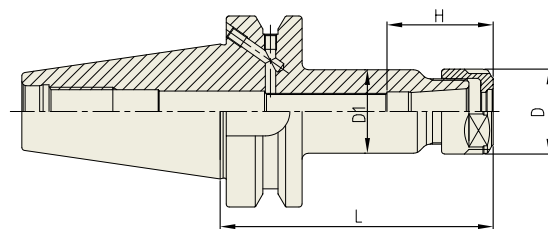
▶ Inch type products are available.



SKA

SK SLIM CHUCK

SK SCHLANKE FUTTER
MANDRIN TYPE SK MINCE
SK MANDRINI SOTTILI
PORTAHERRAMIENTAS SK EJE REDUCIDO



Unit : mm									
TAPER No.	MODEL No.	EDP No.	CLAMPING RANGE	L	D	D1	H	COLLET	WEIGHT (Kg)
30	BT30-SKA06-60	P2775754A	1.8 - 6.0	60	20	19.5	31	SKC6	0.70
	BT30-SKA06-90	P2775755A	1.8 - 6.0	90	20	19.5	31	SKC6	0.80
	BT30-SKA10-60	P2775756A	1.75 - 10.0	60	28	27.5	35	SKC10	0.90
	BT30-SKA10-90	P2775757A	1.75 - 10.0	90	28	27.5	35	SKC10	1.00
	BT30-SKA13-60	P2775758A	2.75 - 13.0	60	33	33	43.6	SKC13	1.00
	BT30-SKA13-90	P2775759A	2.75 - 13.0	90	33	33	43.6	SKC13	1.10
	BT30-SKA16-60	P2775760A	2.75 - 16.0	60	40	40	52	SKC16	1.10
	BT30-SKA16-90	P2775761A	2.75 - 16.0	90	40	40	52	SKC16	1.20
	BT30-SKA20-60	P2775762A	3.5 - 20.0	60	48.5	40	59.6	SKC20	1.30
	BT30-SKA20-90	P2775763A	3.5 - 20.0	90	48.5	40	59.6	SKC20	1.40
BT30-SKA25-90	P2775764A	16.0 - 25.4	90	45	55	63.4	SKC25	1.50	
40	BT40AD/B-SKA06-90	P2775765	1.8 - 6.0	90	20	19.5	31	SKC6	1.10
	BT40AD/B-SKA06-120	P2775766	1.8 - 6.0	120	20	19.5	31	SKC6	1.40
	BT40AD/B-SKA06-150	P2775767	1.8 - 6.0	150	20	19.5	31	SKC6	1.50
	BT40AD/B-SKA10-90	P2775768	1.75 - 10.0	90	28	27.5	35	SKC10	1.20
	BT40AD/B-SKA10-120	P2775769	1.75 - 10.0	120	28	27.5	35	SKC10	1.40
	BT40AD/B-SKA10-150	P2775770	1.75 - 10.0	150	28	27.5	35	SKC10	1.60
	BT40AD/B-SKA13-90	P2775771	2.75 - 13.0	90	33	33	43.6	SKC13	1.40
	BT40AD/B-SKA13-120	P2775772	2.75 - 13.0	120	33	33	43.6	SKC13	1.60
	BT40AD/B-SKA13-150	P2775773	2.75 - 13.0	150	33	33	43.6	SKC13	1.80
	BT40AD/B-SKA16-90	P2775774	2.75 - 16.0	90	40	40	52	SKC16	1.50
	BT40AD/B-SKA16-120	P2775775	2.75 - 16.0	120	40	40	52	SKC16	1.70
	BT40AD/B-SKA16-150	P2775776	2.75 - 16.0	150	40	40	52	SKC16	1.90
	BT40AD/B-SKA20-90	P2775777	3.5 - 20.0	90	48.5	48.5	59.6	SKC20	1.60
	BT40AD/B-SKA20-120	P2775778	3.5 - 20.0	120	48.5	48.5	59.6	SKC20	2.00
	BT40AD/B-SKA20-150	P2775779	3.5 - 20.0	150	48.5	48.5	59.6	SKC20	2.40
BT40AD/B-SKA25-90	P2775780	16.0 - 25.4	90	55	55	63.4	SKC25	1.80	
BT40AD/B-SKA25-120	P2775781	16.0 - 25.4	120	55	55	63.4	SKC25	2.00	
BT40AD/B-SKA25-150	P2775782	16.0 - 25.4	150	55	55	63.4	SKC25	2.30	

- ▶ Inch type products are available.
- ▶ Balancing grade G2.5 at 25,000RPM or U max. < 1gmm.
- ▶ For applicable Collet, Nut and Spanner, please refer to page D315~D317.

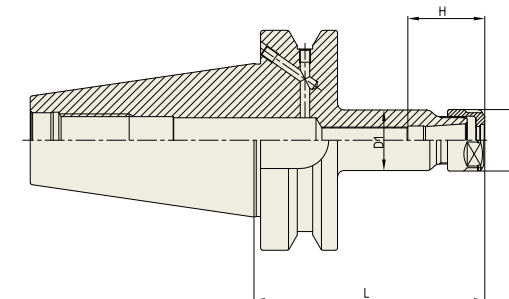
▶ NEXT PAGE



SKA

SK SLIM CHUCK

SK SCHLANKE FUTTER
MANDRIN TYPE SK MINCE
SK MANDRINI SOTTILI
PORTAHERRAMIENTAS SK EJE REDUCIDO



Unit : mm									
TAPER No.	MODEL No.	EDP No.	CLAMPING RANGE	L	D	D1	H	COLLET	WEIGHT (Kg)
50	BT50AD/B-SKA06-105	P2775783	1.8 - 6.0	105	20	19.5	31	SKC6	3.80
	BT50AD/B-SKA06-135	P2775784	1.8 - 6.0	135	20	19.5	31	SKC6	3.90
	BT50AD/B-SKA06-165	P2775785	1.8 - 6.0	165	20	19.5	31	SKC6	4.00
	BT50AD/B-SKA06-195	P2775786	1.8 - 6.0	195	20	19.5	31	SKC6	4.20
	BT50AD/B-SKA10-105	P2775787	1.75 - 10.0	105	28	27.5	35	SKC10	4.20
	BT50AD/B-SKA10-135	P2775788	1.75 - 10.0	135	28	27.5	35	SKC10	4.40
	BT50AD/B-SKA10-165	P2775789	1.75 - 10.0	165	28	27.5	35	SKC10	4.60
	BT50AD/B-SKA10-195	P2775790	1.75 - 10.0	195	28	27.5	35	SKC10	4.80
	BT50AD/B-SKA13-105	P2775791	2.75 - 13.0	105	33	33	43.6	SKC13	4.50
	BT50AD/B-SKA13-135	P2775792	2.75 - 13.0	135	33	33	43.6	SKC13	4.70
	BT50AD/B-SKA13-165	P2775793	2.75 - 13.0	165	33	33	43.6	SKC13	4.90
	BT50AD/B-SKA13-195	P2775794	2.75 - 13.0	195	33	33	43.6	SKC13	5.20
	BT50AD/B-SKA16-105	P2775795	2.75 - 16.0	105	40	40	52	SKC16	4.70
	BT50AD/B-SKA16-135	P2775796	2.75 - 16.0	135	40	40	52	SKC16	4.90
	BT50AD/B-SKA16-165	P2775797	2.75 - 16.0	165	40	40	52	SKC16	5.10
	BT50AD/B-SKA16-195	P2775798	2.75 - 16.0	195	40	40	52	SKC16	5.50
	BT50AD/B-SKA20-105	P2775799	3.5 - 20.0	105	48.5	48.5	59.6	SKC20	4.30
	BT50AD/B-SKA20-135	P2775800	3.5 - 20.0	135	48.5	48.5	59.6	SKC20	4.60
	BT50AD/B-SKA20-165	P2775801	3.5 - 20.0	165	48.5	48.5	59.6	SKC20	5.00
	BT50AD/B-SKA20-195	P2775802	3.5 - 20.0	195	48.5	48.5	59.6	SKC20	5.40
BT50AD/B-SKA25-105	P2775803	16.0 - 25.4	105	55	55	63.4	SKC25	5.20	
BT50AD/B-SKA25-135	P2775804	16.0 - 25.4	135	55	55	63.4	SKC25	5.40	
BT50AD/B-SKA25-165	P2775805	16.0 - 25.4	165	55	55	63.4	SKC25	5.60	
BT50AD/B-SKA25-195	P2775806	16.0 - 25.4	195	55	55	63.4	SKC25	6.00	

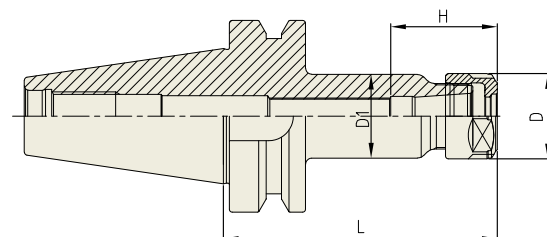
- ▶ Inch type products are available.
- ▶ Balancing grade G2.5 at 25,000RPM or U max. < 1gmm.
- ▶ For applicable Collet, Nut and Spanner, please refer to page D315~D317.



SKA

SK SLIM CHUCK

SK SCHLANKE FUTTER
MANDRIN TYPE SK MINCE
SK MANDRINI SOTTILI
PORTAHERRAMIENTAS SK EJE REDUCIDO



Unit : mm									
TAPER No.	MODEL No.	EDP No.	CLAMPING RANGE	L	D	D1	H	COLLET	WEIGHT (Kg)
30	BT30-SKA06-60	P2775807	1.8 - 6.0	60	20	19.5	31	SKC6	0.70
	BT30-SKA06-90	P2775808	1.8 - 6.0	90	20	19.5	31	SKC6	0.80
	BT30-SKA10-60	P2775809	1.75 - 10.0	60	28	27.5	35	SKC10	0.90
	BT30-SKA10-90	P2775810	1.75 - 10.0	90	28	27.5	35	SKC10	1.00
	BT30-SKA13-60	P2775811	2.75 - 13.0	60	33	33	43.6	SKC13	1.00
	BT30-SKA13-90	P2775812	2.75 - 13.0	90	33	33	43.6	SKC13	1.10
	BT30-SKA16-60	P2775813	2.75 - 16.0	60	40	40	52	SKC16	1.10
	BT30-SKA16-90	P2775814	2.75 - 16.0	90	40	40	52	SKC16	1.20
	BT30-SKA20-60	P2775815	3.5 - 20.0	60	48.5	40	59.6	SKC20	1.30
	BT30-SKA20-90	P2775816	3.5 - 20.0	90	48.5	40	59.6	SKC20	1.40
	BT30-SKA25-90	P2775817	16.0 - 25.4	90	55	45	63.4	SKC25	1.50
	40	BT40-SKA06-90	P2775818	1.8 - 6.0	90	20	19.5	31	SKC6
BT40-SKA06-120		P2775819	1.8 - 6.0	120	20	19.5	31	SKC6	1.40
BT40-SKA06-150		P2775820	1.8 - 6.0	150	20	19.5	31	SKC6	1.50
BT40-SKA10-90		P2775821	1.75 - 10.0	90	28	27.5	35	SKC10	1.20
BT40-SKA10-120		P2775822	1.75 - 10.0	120	28	27.5	35	SKC10	1.40
BT40-SKA10-150		P2775823	1.75 - 10.0	150	28	27.5	35	SKC10	1.60
BT40-SKA13-90		P2775824	2.75 - 13.0	90	33	33	43.6	SKC13	1.40
BT40-SKA13-120		P2775825	2.75 - 13.0	120	33	33	43.6	SKC13	1.60
BT40-SKA13-150		P2775826	2.75 - 13.0	150	33	33	43.6	SKC13	1.80
BT40-SKA16-90		P2775827	2.75 - 16.0	90	40	40	52	SKC16	1.50
BT40-SKA16-120		P2775828	2.75 - 16.0	120	40	40	52	SKC16	1.70
BT40-SKA16-150		P2775829	2.75 - 16.0	150	40	40	52	SKC16	1.90
BT40-SKA20-90		P2775830	3.5 - 20.0	90	48.5	48.5	59.6	SKC20	1.60
BT40-SKA20-120		P2775831	3.5 - 20.0	120	48.5	48.5	59.6	SKC20	2.00
BT40-SKA20-150		P2775832	3.5 - 20.0	150	48.5	48.5	59.6	SKC20	2.40
BT40-SKA25-90		P2775833	16.0 - 25.4	90	55	55	63.4	SKC25	1.80
BT40-SKA25-120		P2775834	16.0 - 25.4	120	55	55	63.4	SKC25	2.00
BT40-SKA25-150		P2775835	16.0 - 25.4	150	55	55	63.4	SKC25	2.30

▶ Inch type products are available.
▶ For applicable Collet, Nut and Spanner, please refer to page D315~D317.

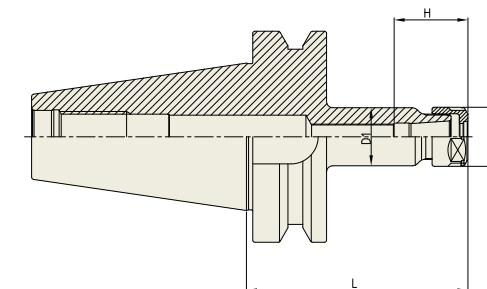
▶ NEXT PAGE



SKA

SK SLIM CHUCK

SK SCHLANKE FUTTER
MANDRIN TYPE SK MINCE
SK MANDRINI SOTTILI
PORTAHERRAMIENTAS SK EJE REDUCIDO



Unit : mm									
TAPER No.	MODEL No.	EDP No.	CLAMPING RANGE	L	D	D1	H	COLLET	WEIGHT (Kg)
50	BT50-SKA06-105	P2775836	1.8 - 6.0	105	20	19.5	31	SKC6	3.80
	BT50-SKA06-135	P2775837	1.8 - 6.0	135	20	19.5	31	SKC6	3.90
	BT50-SKA06-165	P2775838	1.8 - 6.0	165	20	19.5	31	SKC6	4.00
	BT50-SKA06-195	P2775839	1.8 - 6.0	195	20	19.5	31	SKC6	4.20
	BT50-SKA10-105	P2775840	1.75 - 10.0	105	28	27.5	35	SKC10	4.20
	BT50-SKA10-135	P2775841	1.75 - 10.0	135	28	27.5	35	SKC10	4.40
	BT50-SKA10-165	P2775842	1.75 - 10.0	165	28	27.5	35	SKC10	4.60
	BT50-SKA10-195	P2775843	1.75 - 10.0	195	28	27.5	35	SKC10	4.80
	BT50-SKA13-105	P2775844	2.75 - 13.0	105	33	33	43.6	SKC13	4.50
	BT50-SKA13-135	P2775845	2.75 - 13.0	135	33	33	43.6	SKC13	4.70
	BT50-SKA13-165	P2775846	2.75 - 13.0	165	33	33	43.6	SKC13	4.90
	BT50-SKA13-195	P2775847	2.75 - 13.0	195	33	33	43.6	SKC13	5.20
	BT50-SKA16-105	P2775848	2.75 - 16.0	105	40	40	52	SKC16	4.70
	BT50-SKA16-135	P2775849	2.75 - 16.0	135	40	40	52	SKC16	4.90
	BT50-SKA16-165	P2775850	2.75 - 16.0	165	40	40	52	SKC16	5.10
	BT50-SKA16-195	P2775851	2.75 - 16.0	195	40	40	52	SKC16	5.50
	BT50-SKA20-105	P2775852	3.5 - 20.0	105	48.5	48.5	59.6	SKC20	4.30
	BT50-SKA20-135	P2775853	3.5 - 20.0	135	48.5	48.5	59.6	SKC20	4.60
	BT50-SKA20-165	P2775854	3.5 - 20.0	165	48.5	48.5	59.6	SKC20	5.00
	BT50-SKA20-195	P2775855	3.5 - 20.0	195	48.5	48.5	59.6	SKC20	5.40
	BT50-SKA25-105	P2775856	16.0 - 25.4	105	55	55	63.4	SKC25	5.20
	BT50-SKA25-135	P2775857	16.0 - 25.4	135	55	55	63.4	SKC25	5.40
	BT50-SKA25-165	P2775858	16.0 - 25.4	165	55	55	63.4	SKC25	5.60
	BT50-SKA25-195	P2775859	16.0 - 25.4	195	55	55	63.4	SKC25	6.00

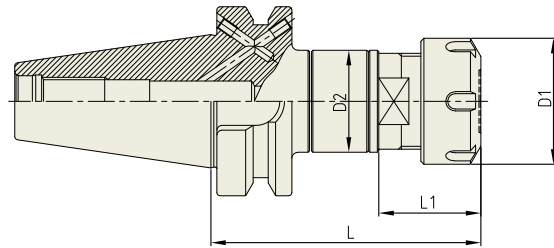
▶ Inch type products are available.
▶ For applicable Collet, Nut and Spanner, please refer to page D315~D317.

SYNCHRO TAPPING CHUCK

SYTER

SYNCHRO TAPPING CHUCK (ER TYPE)

SK SCHLANKE FUTTER
MANDRIN TYPE SK MINCE
SK MANDRINI SOTTILI
PORTAHERRAMIENTAS SK EJE REDUCIDO



Unit : mm

TAPER No.	MODEL No.	EDP No.	TAP SIZE	NUT / COLLET	D1	D2	L	L1	TENSION/ COMPRESSION	WEIGHT (Kg)
30	BT30-SYTER12-85	P2776315	M3-M12	ER16	28	34	85	26	±0.2	-
	BT30-SYTER20-95	P2776316	M3-M20	ER25	42	34	95	34	±0.2	-
	BT30-SYTER27-90	P2776317	M4-M27	ER32	50	45	90	31	±0.2	-
40	BT40AD/B-SYTER12-79	P2776301	M3-M12	ER16	28	34	79	26	±0.2	1.14
	BT40AD/B-SYTER16-85	P2776302	M3-M16	ER20	34	34	85	27	±0.2	1.17
	BT40AD/B-SYTER20-90	P2776303	M3-M20	ER25	42	34	90	34	±0.2	1.17
	BT40AD/B-SYTER27-100	P2776304	M4-M27	ER32	50	45	100	31	±0.2	1.45
	BT40AD/B-SYTER33-125	P2776305	M4-M33	ER40	63	62	125	35	±0.2	2.40
	50	BT50AD/B-SYTER12-100	P2776306	M3-M12	ER16	28	34	100	26	±0.2
BT50AD/B-SYTER16-100		P2776307	M3-M16	ER20	34	34	100	27	±0.2	3.79
BT50AD/B-SYTER20-100		P2776308	M3-M20	ER25	42	34	100	34	±0.2	3.75
BT50AD/B-SYTER27-110		P2776309	M4-M27	ER32	50	45	110	31	±0.2	3.99
BT50AD/B-SYTER33-125		P2776310	M4-M33	ER40	63	62	125	35	±0.2	4.75

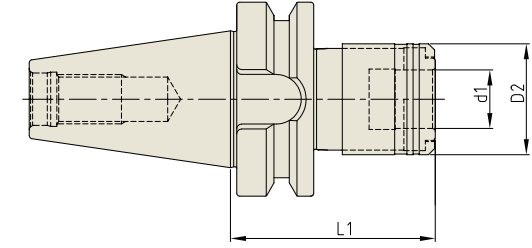
- Feature :
 - Compensation for synchronization errors to extend tap life and to improve thread quality.
 - To compensate for pitch tolerances of taps.
 - For machine with synchronized spindle
- Inch type products are available.
- ER collet of page D296~D302, and Tap ER collet of page D303~D304 are applicable.

ONE STEP TAPPING CHUCK

OTC

ONE STEP TAPPING CHUCK

GEWINDE-SCHNELLWECHSELFUTTER
MANDRIN DE TARAUDAGE À CHANGEMENT RAPIDE
PORTAMASCHI A CAMBIO RAPIDO
MANDRINO DE CAMBIO RÁPIDO CON ROSCA



Unit : mm

TAPER No.	MODEL No.	EDP No.	d1	D2	L1	LENGTH COMPENSATION		WEIGHT (Kg)
						Compression	Tension	
40	BT40-OTC-M3-M12-66.5	P2802451	19	36	66.5	7.5	7.5	1.10
	BT40-OTC-M8-M20-93.5	P2802452	31	53	93.5	12.5	12.5	1.50
	BT40-OTC-M14-M36-162.5	P2802453	48	78	162.5	20	20	3.30
50	BT50-OTC-M3-M12-85	P2802454	19	36	85	7.5	7.5	3.00
	BT50-OTC-M8-M20-101.5	P2802455	31	53	101.5	12.5	12.5	3.30
	BT50-OTC-M14-M36-141	P2802456	48	78	141	20	20	5.20

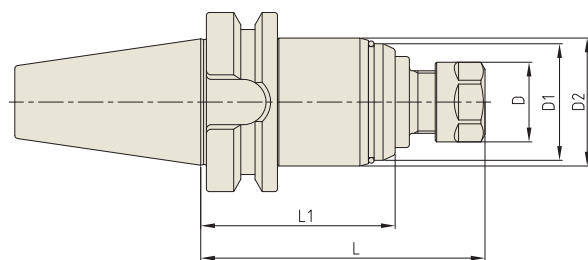
► For applicable Tap Adaptor, please refer to the page D318~D319.

YG TAPPING ER CHUCK

TER

TAPPING ER CHUCK

ER - GEWINDESCHNEIDFUTTER
 MANDRIN DE TARAUDAGE PINCE ER
 MANDRINI PORTAPINZA ER PER MASCHIATURA
 PORTAPINZAS ER PARA MACHOS



Unit : mm

TAPER No.	MODEL No.	EDP No.	D	D1	D2	L	L1	NUT / COLLET	WEIGHT (Kg)
40	BT40-TER16-100	P2774159	28	41	45	100	68.4	ER16	1.45
	BT40-TER16-150	P2774160	28	41	45	150	118.4	ER16	2.00
	BT40-TER32-110	P2774161	50	58	63	110	72	ER32	2.20
50	BT40-TER32-150	P2774162	50	58	63	150	112	ER32	2.70
	BT50-TER16-115	P2774163	28	41	45	115	79.4	ER16	3.95
	BT50-TER16-150	P2774164	28	41	45	150	114.4	ER16	4.35
	BT50-TER32-120	P2774165	50	58	63	120	83	ER32	4.70
	BT50-TER32-150	P2774166	50	58	63	150	113	ER32	5.20

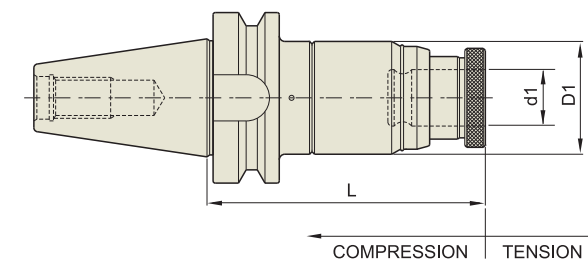
- ▶ Inch type products are available.
- ▶ ER collet of page D296~D302 and Tap ER collet of page D303~D304 are applicable.

YG TAPPING CHUCK

TC

TAPPING CHUCK

GEWINDESCHNEID - SCHNELLWECHSELFUTTER
 TARAUDER À CHANGEMENT RAPIDE
 MANDRINO PER MASCHIARE
 PORTAMACHOS DE CAMBIO RAPIDO



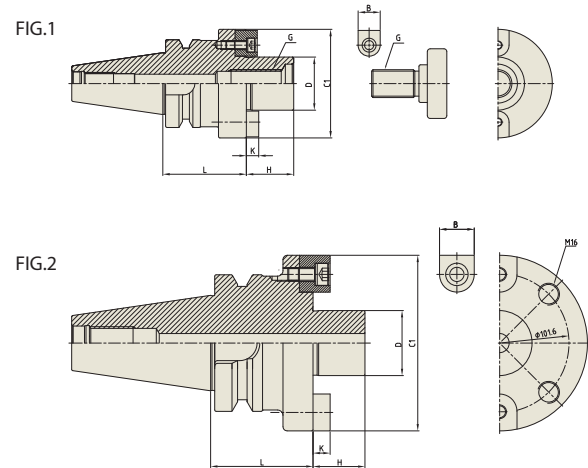
Unit : mm

TAPER No.	MODEL No.	EDP No.	TAP SIZE	TAP ADAPTOR	LENGTH COMPENSATION		d1	D1	L	WEIGHT (Kg)
					Compression	Tension				
30	BT30-TC12-105	P2778401	M3-M12	TCS12	5	15	19	45	105	1.00
	BT40-TC12-90	P2540011	M3-M12	TCS12	5	15	19	45	95	1.50
40	BT40-TC12-130	P2778403	M3-M12	TCS12	5	15	19	45	130	1.60
	BT40-TC24-100	P2540002	M6-M24	TCS24	5	20	31	63	100	2.10
	BT40-TC24-142	P2778405	M6-M24	TCS24	5	20	31	63	142	2.90
50	BT50-TC12-130	P2540003	M3-M12	TCS12	5	15	19	45	130	4.20
	BT50-TC12-175	P2778407	M3-M12	TCS12	5	15	19	45	175	4.80
	BT50-TC12-220	P2778408	M3-M12	TCS12	5	15	19	45	220	5.10
	BT50-TC24-142	P2540004	M6-M24	TCS24	5	20	31	63	142	5.80
	BT50-TC24-187	P2778410	M6-M24	TCS24	5	20	31	63	187	6.00
	BT50-TC38-175	P2540005	M18-M38	TCS38	10	25	48	98	175	8.30

- ▶ Inch type products are available.
- ▶ For applicable Tap Adaptor, please refer to page D318~D319.

FACE MILL ARBOR

AUFNAHMEDORN FÜR MESSERKÖPFE
ARBRE PORTE FRAISE À ALÉSAGE
MANDRINO PORTA FRESE FRONTALE
EJE PARA PLATOS DE PLACAS



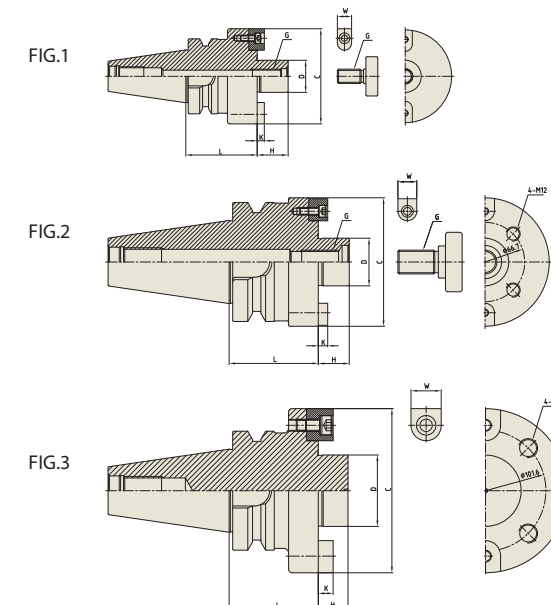
Unit : mm

TAPER No.	MODEL No.	EDP No.	D	L	C1	H	B	K	G	FIG.	WEIGHT (Kg)
30	BT30-FMA25.4-45	P2779222	25.4	45	50	22	9.52	4.8	M12	1	1.10
	BT30-FMA31.75-45	P2779223	31.75	45	60	30	12.7	6.35	M16	1	1.20
40	BT40-FMA25.4-45	P2779224	25.4	45	50	22	9.52	4.8	M12	1	1.50
	BT40-FMA25.4-90	P2779225	25.4	90	50	22	9.52	4.8	M12	1	3.10
	BT40-FMA31.75-45	P2779226	31.75	45	60	30	12.7	6.35	M16	1	1.90
	BT40-FMA31.75-75	P2779227	31.75	75	60	30	12.7	6.35	M16	1	2.70
	BT40-FMA38.1-60	P2779228	38.1	60	80	34	15.87	8.87	M20	1	2.90
	BT40-FMA38.1-75	P2779229	38.1	75	80	34	15.87	8.87	M20	1	3.70
50	BT50-FMA25.4-45	P2779230	25.4	45	50	22	9.52	4.8	M12	1	4.60
	BT50-FMA25.4-90	P2779231	25.4	90	50	22	9.52	4.8	M12	1	5.50
	BT50-FMA31.75-45	P2779232	31.75	45	60	30	12.7	6.35	M16	1	4.50
	BT50-FMA31.75-75	P2779233	31.75	75	60	30	12.7	6.35	M16	1	5.30
	BT50-FMA31.75-105	P2779234	31.75	105	60	30	12.7	6.35	M16	1	5.80
	BT50-FMA31.75-150	P2779235	31.75	150	60	30	12.7	6.35	M16	1	6.30
	BT50-FMA38.1-45	P2779236	38.1	45	80	34	15.87	8.87	M20	1	4.30
	BT50-FMA38.1-75	P2779237	38.1	75	80	34	15.87	8.87	M20	1	5.60
	BT50-FMA38.1-105	P2779238	38.1	105	80	34	15.87	8.87	M20	1	6.00
	BT50-FMA38.1-150	P2779239	38.1	150	80	34	15.87	8.87	M20	1	6.50
	BT50-FMA50.8-45	P2779240	50.8	45	98	36	19.05	11	M24	1	4.90
	BT50-FMA50.8-75	P2779241	50.8	75	98	36	19.05	11	M24	1	6.80
	BT50-FMA47.625-75	P2779242	47.625	75	128.57	38	25.4	12.5	-	2	7.70

▶ CAT(ASME B5.50) taper products are available.
▶ For parts, please refer to page D313.

FACE MILL ARBOR

AUFNAHMEDORN FÜR MESSERKÖPFE
ARBRE PORTE FRAISE À ALÉSAGE
MANDRINO PORTA FRESE FRONTALE
EJE PARA PLATOS DE PLACAS



◆ METRIC TYPE

Unit : mm

TAPER No.	MODEL No.	EDP No.	D	L	C	H	W	K	G	FIG.	WEIGHT (Kg)
30	BT30-FMB27-45	P2779291	27	45	80	26	12	6	M12	1	2.10
	BT40-FMB27-60	P2779292	27	60	80	26	12	6	M12	1	2.50
40	BT40-FMB27-90	P2779293	27	90	80	26	12	6	M12	1	4.70
	BT40-FMB40-60	P2779294	40	60	85	26	15.875	7	M20	1	7.40
	BT50-FMB27-45	P2779295	27	45	80	26	12	6	M12	1	4.00
50	BT50-FMB27-90	P2779296	27	90	80	26	12	6	M12	1	5.80
	BT50-FMB27-150	P2779297	27	150	80	26	12	6	M12	1	8.20
	BT50-FMB40-45	P2779298	40	45	85	26	15.875	7.8	M20	1	4.70
	BT50-FMB40-75	P2779299	40	75	85	26	15.875	7	M20	1	6.10
	BT50-FMB40-105	P2779300	40	105	85	26	15.875	7	M20	1	8.10
	BT50-FMB40F-75	P2779301	40	75	108	26	15.875	7.87	M20	2	6.60
	BT50-FMB60-75	P2779302	60	75	138	25	25.4	12.5	-	3	7.90

◆ INCH TYPE

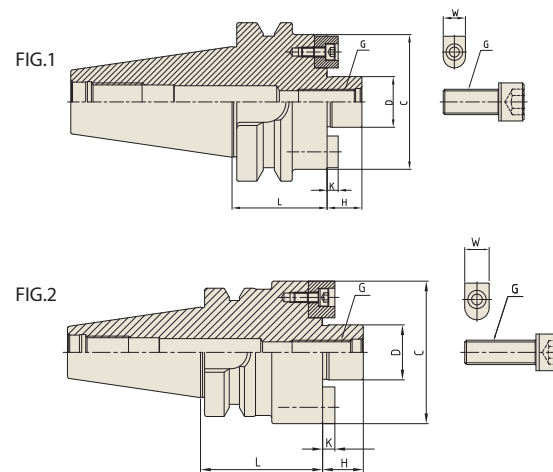
Unit : mm

TAPER No.	MODEL No.	EDP No.	D	L	C	H	W	K	G	FIG.	WEIGHT (Kg)
30	BT30-FMB25.4-45	P2779315	25.4	45	80	26	9.5	5	M12	1	2.10
	BT40-FMB25.4-60	P2779304	25.4	60	80	26	9.5	5	M12	1	2.50
40	BT40-FMB25.4-90	P2779305	25.4	90	80	26	9.5	5	M12	1	4.70
	BT40-FMB38.1-60	P2779306	38.1	60	85	26	15.9	9	M20	1	7.40
	BT50-FMB25.4-45	P2779307	25.4	45	80	26	9.5	5	M12	1	4.00
50	BT50-FMB25.4-90	P2779308	25.4	90	80	26	9.5	5	M12	1	5.80
	BT50-FMB25.4-150	P2779309	25.4	150	80	26	9.5	5	M12	1	8.20
	BT50-FMB38.1-45	P2779310	38.1	45	85	26	15.9	9	M20	1	4.70
	BT50-FMB38.1-75	P2779311	38.1	75	85	26	15.9	9	M20	1	6.10
	BT50-FMB38.1-105	P2779312	38.1	105	85	26	15.9	9	M20	1	8.70
	BT50-FMB38.1F-75	P2779313	38.1	75	110	26	15.9	9	M20	2	6.60

▶ CAT(ASME B5.50) taper products are available.
▶ Fig. 3 : Without "Coolant Through".
▶ For parts, please refer to page D313.

FACE MILL ARBOR

AUFNAHMEDORN FÜR MESSERKÖPFE
ARBRE PORTE FRAISE À ALÉSAGE
MANDRINO PORTA FRESE FRONTALE
EJE PARA PLATOS DE PLACAS



◆ METRIC TYPE

Unit : mm

TAPER No.	MODEL No.	EDP No.	D	L	C	H	W	K	G	FIG.	WEIGHT (Kg)
30	BT30-FMC22-45	P2776101	22	45	45	18	10	5	M10	1	0.80
	BT30-FMC22-60	P2776127	22	60	45	18	10	5	M10	1	1.00
40	BT40-FMC16-90	P2776128	16	90	34	17	8	4	M8	1	-
	BT40-FMC22-45	P2776102	22	45	45	18	10	5	M10	1	1.30
	BT40-FMC22-90	P2776129	22	90	45	18	10	5	M10	1	1.84
	BT40-FMC22-105	P2776126	22	105	45	18	10	5	M10	1	2.02
	BT40-FMC27-60	P2776103	27	60	70	20	12	6	M12	2	1.50
50	BT40-FMC32-60	P2776104	32	60	83	22	14	7	M16	2	2.30
	BT50-FMC22-60	P2776105	22	60	45	18	10	5	M10	1	4.20
	BT50-FMC22-105	P2776106	22	105	45	18	10	5	M10	1	4.70
	BT50-FMC22-150	P2776107	22	150	45	18	10	5	M10	1	5.30
	BT50-FMC27-45	P2776108	27	45	70	20	12	6	M12	1	4.10
	BT50-FMC27-90	P2776109	27	90	70	20	12	6	M12	1	5.50
	BT50-FMC27-150	P2776110	27	150	70	20	12	6	M12	1	7.30
	BT50-FMC32-60	P2776111	32	60	85	22	14	7	M16	1	4.20
BT50-FMC32-105	P2776112	32	105	85	22	14	7	M16	1	5.50	
BT50-FMC32-150	P2776113	32	150	85	22	14	7	M16	1	7.00	

◆ INCH TYPE

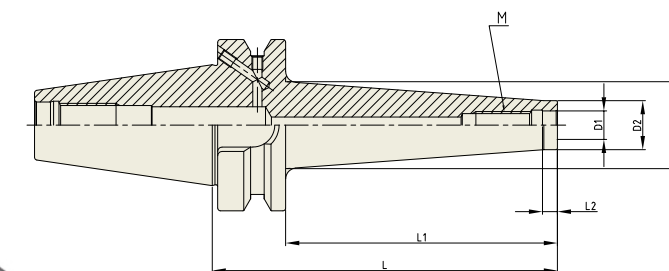
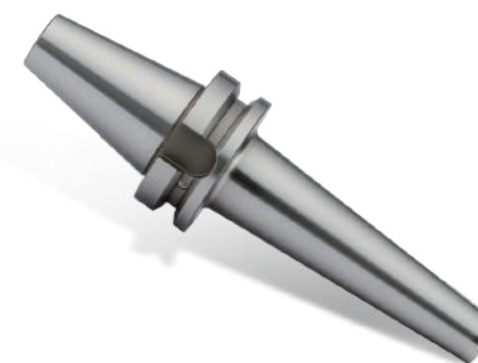
Unit : mm

TAPER No.	MODEL No.	EDP No.	D	L	C	H	W	K	G	FIG.	WEIGHT (Kg)
30	BT30-FMC25.4-45	P2776114	25.4	45	70	20	12	6	M12	2	1.10
40	BT40-FMC25.4-60	P2776115	25.4	60	70	20	9.5	6	M12	2	1.50
	BT40-FMC25.4-90	P2776116	25.4	90	70	20	9.5	6	M12	2	2.20
	BT40-FMC38.1-60	P2776117	38.1	60	85	22	15.9	7	M16	2	2.30
50	BT40-FMC38.1-75	P2776118	38.1	75	85	22	15.9	7	M16	2	2.60
	BT50-FMC25.4-45	P2776119	25.4	45	70	20	9.5	6	M12	1	4.10
	BT50-FMC25.4-90	P2776120	25.4	90	70	20	9.5	6	M12	1	5.50
	BT50-FMC25.4-150	P2776121	25.4	150	70	20	9.5	6	M12	1	7.30
	BT50-FMC38.1-45	P2776122	38.1	45	85	22	15.9	7	M16	1	4.20
	BT50-FMC38.1-75	P2776123	38.1	75	85	22	15.9	7	M16	1	5.50
	BT50-FMC38.1-105	P2776124	38.1	105	85	22	15.9	7	M16	1	7.00

▶ CAT(ASME B5.50) taper products are available.
▶ For parts, please refer to page D313.

COPY MILL ARBOR

WERKZEUGAUFNAHME FÜR EINSCHRAUBFRÄSER MIT GEWINDE
MANDRIN POUR FRAISES À QUEUE FILETÉE AVEC FILETAGE
MANDRINO PER FRESE MODULARI FILETTATE
PORTAHERRAMIENTAS PARA FRESAS DE ENROSCAR CON ROSCA



TAPER No.	MODEL No. (M-L1)	EDP No.	D1	D2	D3	L	L1	L2	WEIGHT (Kg)
40	BT40AD/B-M6-25	P2801901	6.5	10	13	52	25	5	0.94
	BT40AD/B-M6-50	P2801902	6.5	10	20	77	50	5	0.99
	BT40AD/B-M6-75	P2801903	6.5	10	23	102	75	5	1.04
	BT40AD/B-M8-25	P2801904	8.5	13	15	52	25	5	0.95
	BT40AD/B-M8-50	P2801905	8.5	13	23	77	50	5	1.01
	BT40AD/B-M8-75	P2801906	8.5	13	23	102	75	5	1.05
	BT40AD/B-M10-25	P2801907	10.5	18	20	52	25	5	0.97
	BT40AD/B-M10-50	P2801908	10.5	18	23	77	50	5	1.04
	BT40AD/B-M10-75	P2801909	10.5	18	32	102	75	5	1.28
	BT40AD/B-M12-25	P2801910	12.5	21	15	52	25	5	0.98
	BT40AD/B-M12-75	P2801911	12.5	21	23	102	75	5	1.22
	BT40AD/B-M12-125	P2801912	12.5	21	23	152	125	5	1.50
50	BT40AD/B-M16-25	P2801913	17	29	29	52	25	5	1.01
	BT40AD/B-M16-75	P2801914	17	29	34	102	75	5	1.32
	BT40AD/B-M16-125	P2801915	17	29	40	152	125	5	1.75
	BT50AD/B-M8-50	P2801916	8.5	13	23	88	50	5	3.51
	BT50AD/B-M10-50	P2801917	10.5	18	23	88	50	5	3.54
	BT50AD/B-M10-100	P2801918	10.5	18	32	138	100	10	3.77
	BT50AD/B-M12-50	P2801919	12.5	21	24	88	50	10	3.55
	BT50AD/B-M12-100	P2801920	12.5	21	33	138	100	10	3.82
	BT50AD/B-M16-50	P2801921	17	29	29	88	50	10	3.63
	BT50AD/B-M16-100	P2801922	17	29	36	138	100	10	3.98
BT50AD/B-M16-150	P2801923	17	29	42.5	188	150	10	4.48	

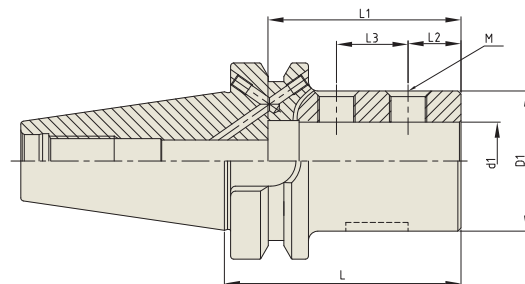
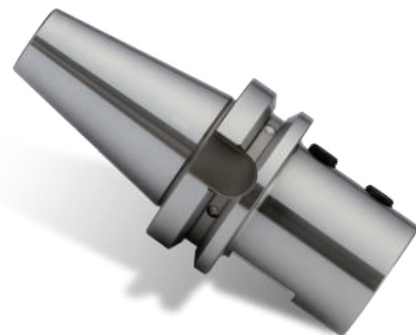
▶ Balancing grade G2.5 at 25,000RPM or U max. < 1 gmm.
▶ For the screw-in milling cutters with thread.

YIG INDEXABLE DRILL HOLDER

SL

INDEXABLE DRILL HOLDER

WERKZEUGHALTER FÜR VOLLBOHRER
 MANDRIN POUR FORETS À PLAQUETTES
 MANDRINO PER PUNTE A INSERTI
 SOPORTE PARA HERRAMIENTAS PARA BROCAS DE ACERO MACIZO



Unit : mm

TAPER No.	MODEL No.	EDP No.	d1	D1	L	L1	L2	L3	M	WEIGHT (Kg)
40	BT40AD/B-SL20-72	P2802101	20	40	72	54	15	20	M10	1.09
	BT40AD/B-SL25-76	P2802102	25	45	76	62	17	23	M12	1.11
	BT40AD/B-SL32-80	P2802103	32	52	80	67	17	27	M12	1.17
	BT40AD/B-SL40-100	P2802104	40	60	100	73	22	28	M16	1.67
50	BT50AD/B-SL20-90	P2802105	20	40	90	54	15	20	M10	3.74
	BT50AD/B-SL25-90	P2802106	25	45	90	59	17	23	M12	3.81
	BT50AD/B-SL32-90	P2802107	32	52	90	70	17	27	M12	3.90
	BT50AD/B-SL40-100	P2802108	40	60	100	80	22	28	M16	4.12

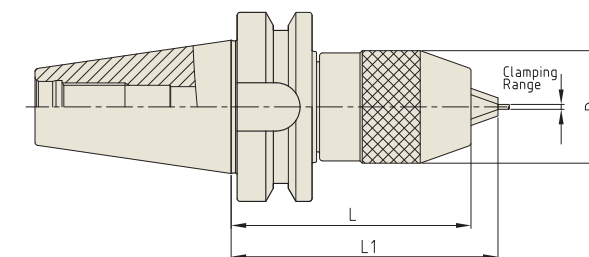
► For the indexable drills with parallel shank.

YIG NC DRILL CHUCK

NPU

NC DRILL CHUCK (KEYLESS TYPE)

NC - BOHRFUTTER
 MANDRIN DE PERÇAGE NC
 NC MANDRINI PORTA PUNTE
 PORTABROCAS PARA BROCAS NC



Unit : mm

TAPER No.	MODEL No.	EDP No.	CLAMPING RANGE	D	L (Min.)	L1 (Max.)	WEIGHT (Kg)
30	BT30-NPU8-75	P2776016	0.3 - 8.0	36.5	75	80.7	0.80
	BT30-NPU13-105	P2776017	0.3 - 13.0	50.4	105	115	1.80
40	BT40-NPU8-80	P2776018	0.3 - 8.0	36.5	80	85.7	1.50
	BT40-NPU8-110	P2776006	0.3 - 8.0	36.5	110	115.7	1.80
	BT40-NPU8-150	P2776007	0.3 - 8.0	36.5	150	155.7	2.60
	BT40-NPU13-95	P2776019	0.3 - 13.0	50.4	95	100.7	2.10
	BT40-NPU13-130	P2776008	0.3 - 13.0	50.4	130	140	2.70
	BT40-NPU13-150	P2776003	0.3 - 13.0	50.4	150	160	3.40
50	BT50-NPU8-90	P2776009	0.3 - 8.0	36.5	90	95.7	4.20
	BT50-NPU8-110	P2776010	0.3 - 8.0	36.5	110	115.7	4.50
	BT50-NPU8-170	P2776011	0.3 - 8.0	36.5	170	180.7	5.20
	BT50-NPU13-105	P2776020	0.3 - 13.0	50.4	105	115	4.80
	BT50-NPU13-130	P2776013	0.3 - 13.0	50.4	130	140	5.20
	BT50-NPU13-150	P2776014	0.3 - 13.0	50.4	150	160	5.50
	BT50-NPU13-190	P2776015	0.3 - 13.0	50.4	190	200	5.90

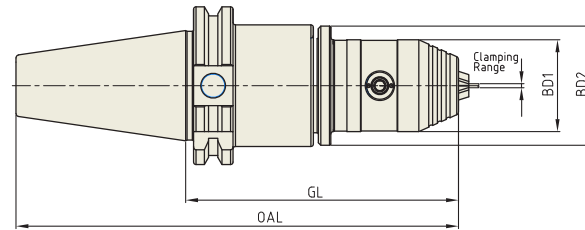
► Supplied with hook wrench. (Size NPU 8 : 8S, NPU 13 : 13S)

YG NC DRILL CHUCK

HKD

NC DRILL CHUCK (HEX. KEY TYPE)

NC - BOHRFUTTER
MANDRIN DE PERÇAGE NC
NC MANDRINI PORTA PUNTE
PORTABROCAS PARA BROCAS NC



Unit : mm

TAPER No.	MODEL No.	EDP No.	CLAMPING RANGE	OAL	GL	BD1	BD2	WEIGHT (Kg)
40	BT40-HKD8-90	P2804005	0.3 - 8.0	155.4	90	37	48	-
	BT40-HKD13-110	P2804006	0.3 - 13.0	175.4	110	50.1	50.1	-
	BT40AD/B-HKD8-120	P2804007	0.3 - 8.0	185.4	120	37	48	-
	BT40AD/B-HKD13-140	P2804008	0.3 - 13.0	205.4	140	50.1	50.1	-

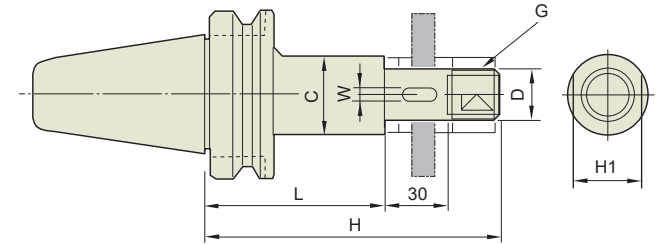
► Supplied with hex. wrench. (Size HKD 8 : 4mm, HKD 13 : 6mm)

YG SIDE CUTTER ARBOR

SCA

SIDE CUTTER ARBOR

SEITENSCHNEIDER LAUBE
TONNELLE PINCE COUPANTE
LATO CUTTER PERGOLATO
LADO DEL EJE DE CORTE



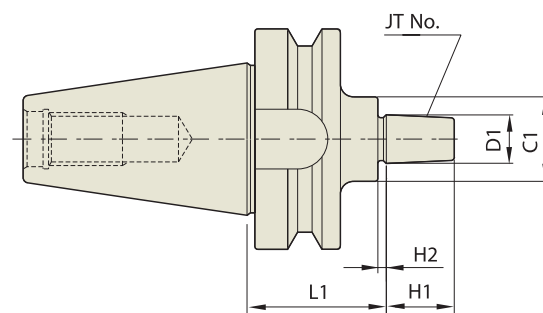
Unit : mm

TAPER No.	MODEL No.	EDP No.	H	H1	C	W	G	D	L	WEIGHT (Kg)
30	BT30-SCA12.7-60	P2779141	105	17	20	-	M12	12.7	60	1.00
	BT30-SCA15.875-60	P2779142	106	23	26	3.18	M14	15.875	60	1.10
	BT30-SCA22.225-60	P2779143	110	29	34	3.18	M20	22.225	60	1.20
	BT30-SCA25.4-60	P2779144	115	32	40	6.35	M24	25.4	60	1.30
40	BT40-SCA12.7-75	P2779145	120	17	20	-	M12	12.7	75	1.20
	BT40-SCA12.7-105	P2779146	150	17	20	-	M12	12.7	105	1.30
	BT40-SCA15.875-75	P2779147	121	23	26	3.18	M14	15.875	75	1.40
	BT40-SCA15.875-120	P2779148	151	23	26	3.18	M14	15.875	120	1.50
	BT40-SCA22.225-75	P2779149	126	29	34	3.18	M20	22.225	75	1.70
	BT40-SCA22.225-120	P2779150	171	29	34	3.18	M20	22.225	120	2.00
	BT40-SCA25.4-75	P2779151	130	32	40	6.35	M24	25.4	75	2.00
	BT40-SCA25.4-120	P2779152	175	32	40	6.35	M24	25.4	120	2.40
50	BT40-SCA31.75-90	P2779153	150	41	46	7.92	M30	31.75	90	2.60
	BT50-SCA12.7-75	P2779154	120	17	20	-	M12	12.7	75	4.10
	BT50-SCA12.7-105	P2779155	150	17	20	-	M12	12.7	105	4.20
	BT50-SCA15.875-90	P2779156	136	23	26	3.18	M14	15.875	90	4.20
	BT50-SCA15.875-120	P2779157	166	23	26	3.18	M14	15.875	120	4.20
	BT50-SCA22.225-90	P2779158	144	29	34	3.18	M20	22.225	90	4.40
	BT50-SCA22.225-135	P2779159	186	29	34	3.18	M20	22.225	135	4.70
	BT50-SCA25.4-90	P2779160	145	32	40	6.35	M24	25.4	90	4.50
	BT50-SCA25.4-135	P2779161	190	32	40	6.35	M24	25.4	135	4.90
	BT50-SCA31.75-90	P2779162	150	41	46	7.92	M30	31.75	90	4.70
	BT50-SCA31.75-135	P2779163	195	41	46	7.92	M30	31.75	135	5.20
	BT50-SCA38.1-90	P2779164	156	46	55	9.52	M36	38.1	90	4.90
BT50-SCA38.1-135	P2779165	201	46	55	9.52	M36	38.1	135	5.90	

► CAT(ASME B5.50) taper products are available.

JACOBS TAPER ARBOR

JACOBS KEGELZAPFEN ADAPTER
 JACOBS ADAPTEUR DE CÔNE
 JACOBS ADATTATORE DEL CONO
 JACOBS ADAPTADOR DE LA FORMA CONICA



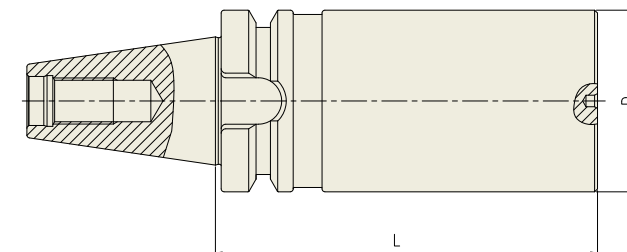
Unit : mm

TAPER No.	MODEL No.	EDP No.	JT No.	D1	L1	H1	H2	C1	WEIGHT (Kg)
30	BT30-JTA1-45	P2779101	1	9.754	45	14	3	30	0.90
	BT30-JTA2-45	P2779102	2	14.199	45	20	4	30	1.00
	BT30-JTA6-45	P2779103	6	17.17	45	24	4	30	1.00
40	BT40-JTA1-45	P2779104	1	9.754	45	14	3	30	1.10
	BT40-JTA1-90	P2779105	1	9.754	90	14	3	30	1.10
	BT40-JTA2S-45	P2779106	2(SHORT)	13.94	45	18	3	30	1.40
	BT40-JTA2S-90	P2779107	2(SHORT)	13.94	90	18	3	30	1.40
	BT40-JTA2-45	P2779108	2	14.199	45	20	4	30	1.10
	BT40-JTA2-90	P2779109	2	14.199	90	20	4	30	1.40
	BT40-JTA33-45	P2779110	33	15.85	45	24	4	30	1.10
	BT40-JTA33-90	P2779111	33	15.85	90	24	4	30	1.40
	BT40-JTA6-45	P2779112	6	17.17	45	24	4	30	1.10
	BT40-JTA6-90	P2779113	6	17.17	90	24	4	30	1.40
	BT40-JTA3-45	P2779114	3	20.599	45	28	5	35	1.20
	BT40-JTA3-90	P2779115	3	20.599	90	28	5	35	1.50
50	BT50-JTA1-45	P2779116	1	9.754	45	14	3	30	4.00
	BT50-JTA1-105	P2779117	1	9.754	105	14	3	30	4.40
	BT50-JTA2S-45	P2779118	2(SHORT)	13.94	45	18	3	30	4.00
	BT50-JTA2S-105	P2779119	2(SHORT)	13.94	105	18	3	30	4.40
	BT50-JTA2-45	P2779120	2	14.199	45	20	4	30	4.00
	BT50-JTA2-105	P2779121	2	14.199	105	20	4	30	4.40
	BT50-JTA33-45	P2779122	33	15.85	45	24	4	30	4.00
	BT50-JTA33-105	P2779123	33	15.85	105	24	4	30	4.40
	BT50-JTA6-45	P2779124	6	17.17	45	24	4	30	4.00
	BT50-JTA6-105	P2779125	6	17.17	105	24	4	30	4.40
	BT50-JTA3-45	P2779126	3	20.599	45	28	5	35	4.00
	BT50-JTA3-105	P2779127	3	20.599	105	28	5	35	4.60

▶ CAT(ASME B5.50) taper and Inch type products are available.

BLANK BAR

BOHRSTANGENROHLING
 EBAUCHE DE BARRES D'ALÉSAGE
 BARRA ALESATRICE GREZZA
 PIEZA EN BRUTO PARA BARRAS DE MANDRINAR



Unit : mm

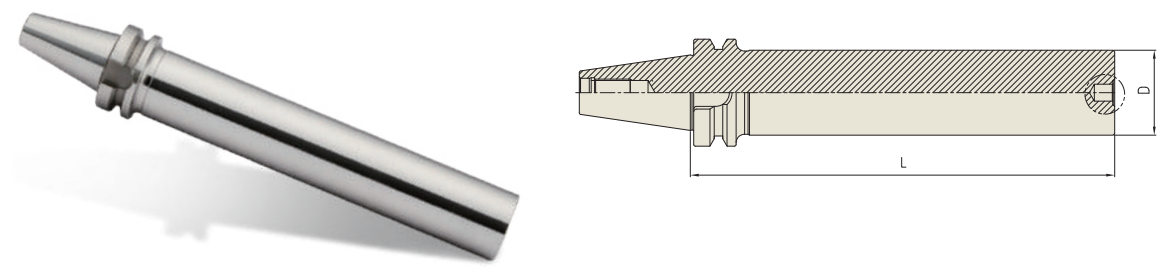
TAPER No.	MODEL No.	EDP No.	D	L	WEIGHT(Kg)
40	BT40-BL63-250	P2779191	63	250	6.37
50	BT50-BL97-315	P2779351	97	315	19.60



TB

TEST BAR
 KONTRÖL DORN
 MANDRIN DE CONTRÔLE
 MANDRINO DI CONTROLLO
 MANDRIL DE CONTROL

SK (DIN 69871)
 CBT (BT DUAL CONTACT)
 BT (JIS B6339/MAS 403)
 HSK (DIN 69893/ISO 12164)
 STRAIGHT
 ISO, NT, MTA/MTB, GOST
 TOOL HOLDER SET
 BORING SYSTEM
 ACCESSORY & PARTS



Unit : mm

TAPER No.	MODEL No.	EDP No.	D	L	WEIGHT(Kg)
40	BT40-TB40-300	P2802305	40	300	4.59
50	BT50-TB50-300	P2802307	50	300	6.88

YG-1 TOOLING SYSTEM

HSK
 (DIN 69893/ISO 12164)

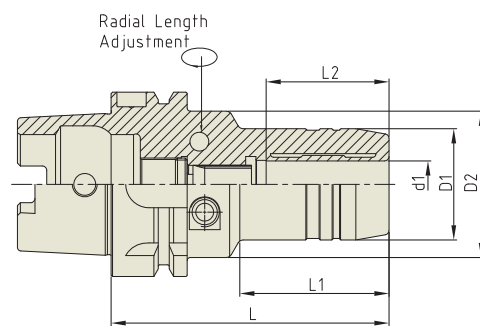


- HYDRAULIC CHUCK
- SHRINK FIT HOLDER
- ER COLLET CHUCK
- END MILL HOLDER
- SHELL MILL ARBOR
- COMBI-SHELL MILL ARBOR
- POWER MILLING CHUCK
- MORSE TAPER ARBOR
- SK SLIM CHUCK
- SYNCHRO TAPPING CHUCK
- ONE STEP TAPPING CHUCK
- TAPPING ER CHUCK
- TAPPING CHUCK
- FACE MILL ARBOR
- COPY MILL ARBOR
- INDEXABLE DRILL HOLDER
- NC DRILL CHUCK
- BLANK BAR
- TEST BAR

HYDRAULIC CHUCK (RADIAL TOOL LENGTH PRE-SETTING TYPE)

HYDRAULIK SPANNFUTTER (RADIALE WERKZEUGLÄGEN VOREINSTELLUNG)
 MANDRIN HYDRAULIQUE (BANC DE PRÉ-RÉGLAGE RADIAL)
 MANDRINI IDRAULICI (UTENSILI RADIALI PER AZZERAMENTO)
 PORTAHERRAMIENTAS HIDRAULICO (AJUSTE DE LONGITUD TIPO PRE-SETTING)

HSK-A



Unit : mm										
TAPER No.	MODEL No.	EDP No.	d1	D1	D2	L	L1	L2	WEIGHT (Kg)	
40A	HSK40A-HCR6-80	P2770210	6	26	34	80	36	27	0.55	
	HSK40A-HCR8-80	P2770211	8	28	34	80	36	27	0.55	
	HSK40A-HCR10-85	P2770212	10	30	34	85	43	32	0.65	
	HSK40A-HCR12-90	P2770213	12	32	34	90	48	37	0.70	
50A	HSK50A-HCR6-80	P2770214	6	26	40	80	35	27	0.70	
	HSK50A-HCR8-80	P2770215	8	28	40	80	36	27	0.70	
	HSK50A-HCR10-85	P2770216	10	30	40	85	38	32	0.73	
	HSK50A-HCR12-90	P2770217	12	32	40	90	40	37	0.80	
	HSK50A-HCR14-90	P2770218	14	34	40	90	40	42	0.80	
	HSK50A-HCR16-95	P2770219	16	38	53	95	36.5	42	1.00	
	HSK50A-HCR18-95	P2770220	18	40	57	95	36.5	42	1.00	
	HSK50A-HCR20-100	P2770221	20	42	60	100	39	42	1.10	
63A	HSK63A-HCR6-80	P2770205	6	26	50	80	33	27	0.96	
	HSK63A-HCR8-80	P2770206	8	28	50	80	33	27	0.98	
	HSK63A-HCR10-85	P2770207	10	30	50	85	38	32	1.04	
	HSK63A-HCR12-90	P2567011	12	32	50	90	40	37	1.06	
	HSK63A-HCR14-90	P2770202	14	34	50	90	46	37	1.08	
	HSK63A-HCR16-95	P2770209	16	38	50	95	51	42	1.18	
	HSK63A-HCR18-95	P2770203	18	40	50	95	52	42	1.20	
	HSK63A-HCR20-100	P2567012	20	42	50	100	51	42	1.22	
	HSK63A-HCR25-120	P2770204	25	57	63	120	54.5	48	2.20	
	HSK63A-HCR32-125	P2770201	32	64	75	125	57.5	55	2.60	
100A	HSK100A-HCR6-85	P2770222	6	26	63	85	33	27	3.60	
	HSK100A-HCR8-85	P2770223	8	28	63	85	33	27	3.60	
	HSK100A-HCR10-90	P2770224	10	30	63	90	36	32	3.80	
	HSK100A-HCR12-95	P2770225	12	32	63	95	40	37	3.80	
	HSK100A-HCR14-95	P2770226	14	34	63	95	41	37	3.80	
	HSK100A-HCR16-100	P2770227	16	38	63	100	46	42	3.90	
	HSK100A-HCR18-100	P2770228	18	40	63	100	46	42	3.90	
	HSK100A-HCR20-105	P2770229	20	42	75	105	51	42	4.20	
	HSK100A-HCR25-115	P2770230	25	57	75	115	55.5	48	4.40	
	HSK100A-HCR32-120	P2770231	32	64	75	120	63.5	55	4.60	

- ▶ Inch type products are available.
- ▶ Balancing grade G2.5 at 25,000RPM or U max. < 1gmm.
- ▶ Supplied with clamping T-wrench.
- ▶ For applicable Hydraulic Chuck collet, please refer to page D291~D294.

HYDRAULIC CHUCK (Power E Hydro)

HYDRAULIK SPANNFUTTER (POWER E HYDRO)
 MANDRIN HYDRAULIQUE (POWER E HYDRO)
 MANDRINI IDRAULICI (POWER E HYDRO)
 PORTAHERRAMIENTAS HIDRAULICO (POWER E HYDRO)

HSK-A

FIG.1

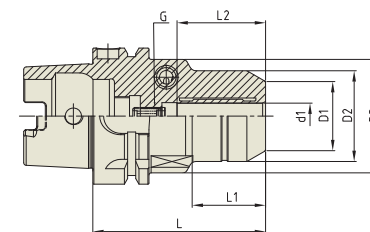
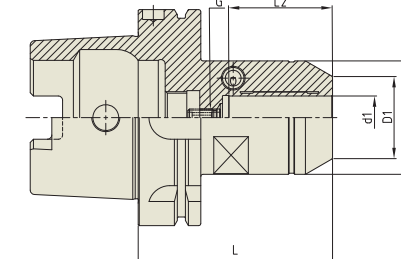


FIG.2



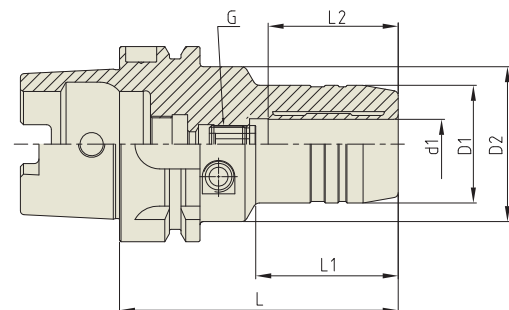
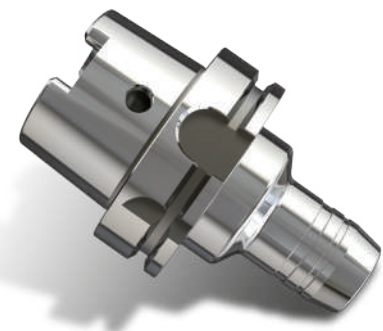
Unit : mm														
TAPER No.	MODEL No.	EDP No.	d1	D1	D2	D3	L	L1	L2	G	FIG.	WEIGHT (Kg)		
63A	HSK63A-HC12P-80	P2770302P	12	32	42	52.5	80	34	41	M8x1.0	1	1.20		
	HSK63A-HC20P-80	P2770301P	20	38	52.5	-	80	-	48	M8x1.0	2	1.30		
100A	HSK100A-HC20P-90	P2770303P	20	38	52.5	-	90	-	48	M8x1.0	2	2.80		
	HSK100A-HC32P-100	P2770304P	32	58.5	72	-	100	-	57	M8x1.0	2	3.70		

- ▶ Inch type products are available.
- ▶ Balancing grade G2.5 at 25,000RPM or U max. < 1gmm.
- ▶ Supplied with clamping T-wrench.
- ▶ For applicable Hydraulic Chuck collet, please refer to page D291~D294.

HYDRAULIC CHUCK (STANDARD)

HYDRAULIK SPANNFUTTER (STANDARD)
 MANDRIN HYDRAULIQUE (STANDARD)
 MANDRINI IDRAULICI (STANDARD)
 PORTAHERRAMIENTAS HIDRAULICO (ESTÁNDAR)

HSK-A



Unit : mm

TAPER No.	MODEL No.	EDP No.	d1	D1	D2	L	L1	L2	G	WEIGHT (Kg)
32A	HSK32A-HC6-80	P2770413	6	26	40	80	29	27	M5×0.8	0.30
	HSK32A-HC8-80	P2770414	8	28	40	80	29	27	M6×1.0	0.30
	HSK32A-HC10-85	P2770415	10	30	40	85	35	32	M6×1.0	0.30
	HSK32A-HC12-90	P2770416	12	32	40	90	40	37	M6×1.0	0.30
40A	HSK40A-HC6-70	P2770401	6	26	34	70	36	27	M5×0.8	0.50
	HSK40A-HC8-70	P2770402	8	28	34	70	36	27	M6×1.0	0.50
	HSK40A-HC10-75	P2770403	10	30	34	75	42	32	M6×1.0	0.60
	HSK40A-HC12-80	P2770417	12	32	34	80	48	37	M6×1.0	0.65
50A	HSK50A-HC6-70	P2770404	6	26	40	70	28	27	M5×0.8	0.65
	HSK50A-HC8-70	P2770405	8	28	40	70	28	27	M6×1.0	0.65
	HSK50A-HC10-75	P2770406	10	30	40	75	34	32	M8×1.0	0.70
	HSK50A-HC12-85	P2770407	12	32	40	85	44	37	M10×1.0	0.75
	HSK50A-HC14-85	P2770408	14	34	40	85	43	37	M10×1.0	0.75
	HSK50A-HC16-90	P2770409	16	38	53	90	30	42	M12×1.0	0.90
	HSK50A-HC18-90	P2770418	18	40	57	90	30	42	M12×1.0	0.90
	HSK50A-HC20-90	P2770419	20	42	60	90	29	42	M16×1.0	1.00
63A	HSK63A-HC6-70	P2567001	6	26	50	70	24	27	M5×0.8	0.53
	HSK63A-HC8-70	P2567002	8	28	50	70	25	27	M6×1.0	0.55
	HSK63A-HC10-80	P2567003	10	30	50	80	35	32	M8×1.0	1.00
	HSK63A-HC12-85	P2567004	12	32	50	85	40	37	M10×1.0	1.03
	HSK63A-HC14-85	P2567005	14	34	50	85	40	37	M10×1.0	1.05
	HSK63A-HC16-90	P2567006	16	38	50	90	46	42	M12×1.0	1.15
	HSK63A-HC18-90	P2567007	18	40	50	90	47	42	M12×1.0	1.15
	HSK63A-HC20-90	P2567008	20	42	50	90	48	42	M16×1.0	1.20
	HSK63A-HC25-120	P2567009	25	57	63	120	59	48	M16×1.0	2.20
HSK63A-HC32-125	P2567010	32	64	75	125	63	55	M16×1.0	2.40	

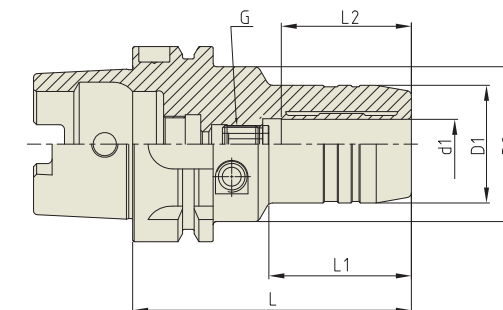
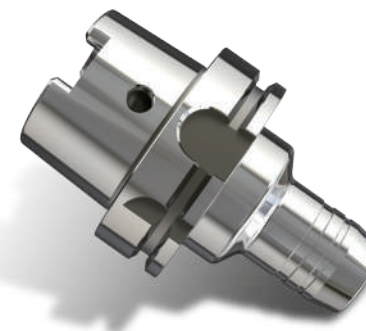
- ▶ Inch type products are available.
- ▶ Balancing grade G2.5 at 25,000RPM or U max. < 1gmm.
- ▶ Supplied with clamping T-wrench.
- ▶ For applicable Hydraulic Chuck collet, please refer to page D291~D294.

▶ NEXT PAGE

HYDRAULIC CHUCK (STANDARD)

HYDRAULIK SPANNFUTTER (STANDARD)
 MANDRIN HYDRAULIQUE (STANDARD)
 MANDRINI IDRAULICI (STANDARD)
 PORTAHERRAMIENTAS HIDRAULICO (ESTÁNDAR)

HSK-A



Unit : mm

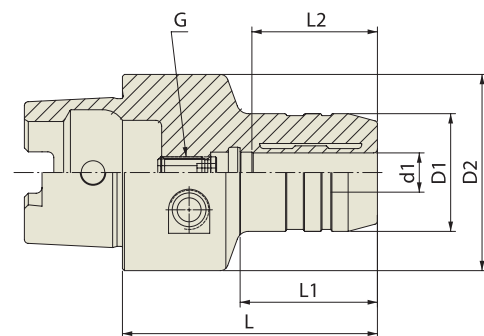
TAPER No.	MODEL No.	EDP No.	d1	D1	D2	L	L1	L2	G	WEIGHT (Kg)
80A	HSK80A-HC12-85	P2770462	12	32	50	85	40	37	M10×1.0	1.60
	HSK80A-HC20-95	P2770463	20	42	50	95	52	42	M16×1.0	1.80
	HSK80A-HC32-125	P2770464	32	64	75	125	63	55	M16×1.0	3.30
100A	HSK100A-HC6-75	P2770420	6	26	50	75	26	27	M5×0.8	3.20
	HSK100A-HC8-75	P2770421	8	28	50	75	26	27	M6×1.0	3.20
	HSK100A-HC10-90	P2770422	10	30	50	90	42	32	M8×1.0	3.40
	HSK100A-HC12-95	P2770410	12	32	50	95	47	37	M10×1.0	3.40
	HSK100A-HC14-95	P2770423	14	34	50	95	47	37	M10×1.0	3.40
	HSK100A-HC16-100	P2770411	16	38	50	100	53	42	M12×1.0	3.50
	HSK100A-HC18-100	P2770424	18	40	50	100	53	42	M12×1.0	3.60
	HSK100A-HC20-105	P2757010	20	42	50	105	59	42	M16×1.0	4.00
HSK100A-HC25-110	P2770412	25	57	63	110	62	48	M16×1.0	4.20	
HSK100A-HC32-110	P2757020	32	64	75	110	62	55	M16×1.0	4.30	

- ▶ Inch type products are available.
- ▶ Balancing grade G2.5 at 25,000RPM or U max. < 1gmm.
- ▶ Supplied with clamping T-wrench.
- ▶ For applicable Hydraulic Chuck collet, please refer to page D291~D294.

HYDRAULIC CHUCK (STANDARD)

HYDRAULIK SPANNFUTTER (STANDARD)
 MANDRIN HYDRAULIQUE (STANDARD)
 MANDRINI IDRAULICI (STANDARD)
 PORTAHERRAMIENTAS HIDRAULICO (ESTÁNDAR)

HSK-C



Unit : mm

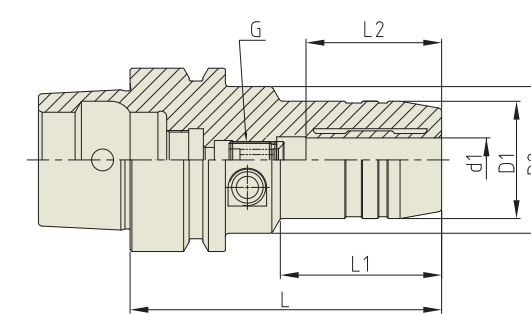
TAPER No.	MODEL No.	EDP No.	d1	D1	D2	L	L1	L2	G	WEIGHT (Kg)
32C	HSK32C-HC6-65	P2770425	6	26	32	65	30	27	M5x0.8	0.30
	HSK32C-HC8-70	P2770426	8	28	32	70	34	27	M6x1.0	0.30
	HSK32C-HC10-75	P2770427	10	30	32	75	39	32	M6x1.0	0.30
	HSK32C-HC12-80	P2770428	12	32	32	80	-	37	M6x1.0	0.30
40C	HSK40C-HC6-60	P2770429	6	26	40	60	36	27	M5x0.8	0.55
	HSK40C-HC8-60	P2770430	8	28	40	60	36	27	M6x1.0	0.55
	HSK40C-HC10-65	P2770431	10	30	40	65	41	32	M6x1.0	0.65
	HSK40C-HC12-70	P2770432	12	32	40	70	47	37	M6x1.0	0.70
50C	HSK50C-HC6-60	P2770433	6	26	50	60	30	27	M5x0.8	0.65
	HSK50C-HC8-60	P2770434	8	28	50	60	30	27	M6x1.0	0.65
	HSK50C-HC10-65	P2770435	10	30	50	65	35	32	M8x1.0	0.70
	HSK50C-HC12-75	P2770436	12	32	50	75	44	37	M10x1.0	0.75
	HSK50C-HC14-75	P2770437	14	34	50	75	46	37	M10x1.0	0.75
	HSK50C-HC16-80	P2770438	16	38	50	80	51	42	M12x1.0	0.90
63C	HSK50C-HC18-80	P2770439	18	40	50	80	51	42	M12x1.0	0.90
	HSK50C-HC20-80	P2770440	20	42	50	80	48	42	M16x1.0	1.00
	HSK63C-HC6-60	P2770441	6	26	63	60	25	27	M5x0.8	0.96
	HSK63C-HC8-60	P2770442	8	28	63	60	25	27	M6x1.0	0.98
	HSK63C-HC10-65	P2770443	10	30	63	65	31	32	M8x1.0	1.04
	HSK63C-HC12-75	P2770444	12	32	63	75	41	37	M10x1.0	1.06
	HSK63C-HC14-75	P2770445	14	34	63	75	42	37	M10x1.0	1.08
	HSK63C-HC16-80	P2770446	16	38	63	80	48	42	M12x1.0	1.18
	HSK63C-HC18-80	P2770447	18	40	63	80	47	42	M12x1.0	1.20
HSK63C-HC20-80	P2770448	20	42	63	80	49	42	M16x1.0	1.22	
	HSK63C-HC25-95	P2770449	25	57	63	95	63	48	M16x1.0	2.20
	HSK63C-HC32-100	P2770450	32	63	63	100	-	55	M16x1.0	2.60

- ▶ Inch type products are available.
- ▶ Balancing grade G2.5 at 25,000RPM or U max. < 1gmm.
- ▶ Supplied with clamping T-wrench.
- ▶ For applicable Hydraulic Chuck collet, please refer to page D291~D294.

HYDRAULIC CHUCK (STANDARD)

HYDRAULIK SPANNFUTTER (STANDARD)
 MANDRIN HYDRAULIQUE (STANDARD)
 MANDRINI IDRAULICI (STANDARD)
 PORTAHERRAMIENTAS HIDRAULICO (ESTÁNDAR)

HSK-E



Unit : mm

TAPER No.	MODEL No.	EDP No.	d1	D1	D2	L	L1	L2	G	WEIGHT (Kg)
40E	HSK40E-HC6-70	P2770451	6	26	34	70	36	27	M5x0.8	0.55
	HSK40E-HC8-70	P2770452	8	28	34	70	36	27	M6x1.0	0.55
	HSK40E-HC10-75	P2770453	10	30	34	75	42	32	M6x1.0	0.65
	HSK40E-HC12-80	P2770454	12	32	34	80	48	37	M6x1.0	0.70
50E	HSK50E-HC6-70	P2770455	6	26	40	70	28	27	M5x0.8	0.65
	HSK50E-HC8-70	P2770456	8	28	40	70	28	27	M6x1.0	0.65
	HSK50E-HC10-75	P2770457	10	30	40	75	34	32	M8x1.0	0.70
	HSK50E-HC12-85	P2770458	12	32	40	85	44	37	M10x1.0	0.75
	HSK50E-HC16-90	P2770459	16	38	53	90	30	42	M12x1.0	0.90
63F	HSK63F-HC20-85	P2770461	20	42	60	90	29	42	M16x1.0	1.00
			20	42	50	85	46	42	M12x1.0	1.20

- ▶ Inch type products are available.
- ▶ Balancing grade G2.5 at 25,000RPM or U max. < 1gmm.
- ▶ Supplied with clamping T-wrench.
- ▶ For applicable Hydraulic Chuck collet, please refer to page D291~D294.

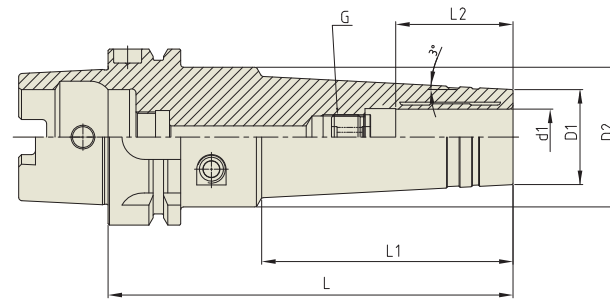
YIG HYDRAULIC CHUCK

HMC

HYDRAULIC CHUCK (SLIM)

HYDRAULIK SPANNFUTTER FÜR DEN FORMENBAU
MANDRIN HYDRAULIQUE POUR MOULISTE
MANDRINI IDRAULICI PER STAMPAGGIO
PORTAHERRAMIENTAS HIDRAULICO PARA MOLDES

HSK-A



Unit : mm

TAPER No.	MODEL No.	EDP No.	d1	D1	D2	L	L1	L2	G	WEIGHT (Kg)
63A	HSK63A-HMC6-145	P2770801	6	20	50	145	90	27	M5×0.8	1.40
	HSK63A-HMC8-145	P2770802	8	22	50	145	90	27	M6×1.0	1.40
	HSK63A-HMC10-145	P2770803	10	24	50	145	90	32	M8×1.0	1.40
	HSK63A-HMC12-145	P2770804	12	25	50	145	90	37	M10×1.0	1.40
	HSK63A-HMC14-145	P2770814	14	27	50	145	90	37	M10×1.0	1.40
	HSK63A-HMC16-145	P2770805	16	32	50	145	90	42	M12×1.0	1.45
	HSK63A-HMC20-145	P2770806	20	34	50	145	90	42	M16×1.0	1.50
100A	HSK100A-HMC6-150	P2770812	6	20	50	150	90	27	M5×0.8	4.50
	HSK100A-HMC8-150	P2770807	8	22	50	150	90	27	M6×1.0	4.50
	HSK100A-HMC10-150	P2770808	10	24	50	150	90	32	M8×1.0	4.50
	HSK100A-HMC12-150	P2770809	12	25	50	150	90	37	M10×1.0	4.50
	HSK100A-HMC14-150	P2770815	14	27	50	150	90	37	M10×1.0	4.50
	HSK100A-HMC16-150	P2770810	16	32	50	150	90	42	M12×1.0	4.70
	HSK100A-HMC20-150	P2770811	20	34	50	150	90	42	M16×1.0	5.00

- ▶ Inch type products are available.
- ▶ Balancing grade G2.5 at 25,000RPM or U max. < 1gmm.
- ▶ Supplied with clamping T-wrench.
- ▶ For applicable Hydraulic Chuck collet, please refer to page D291~D294.

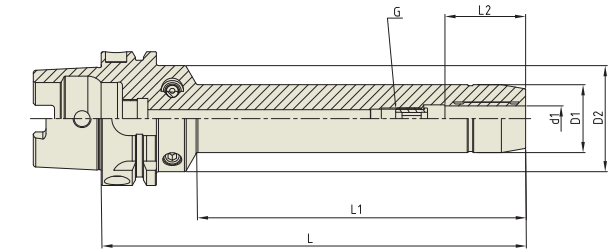
YIG HYDRAULIC CHUCK

HC-LS

HYDRAULIC CHUCK (LONG & SLIM)

HYDRAULIK SPANNFUTTER (LANG & SCHLANK)
MANDRIN HYDRAULIQUE (LONGUE ET MINCE)
MANDRINI IDRAULICI (LUNGO E SOTTILE)
PORTAHERRAMIENTAS HIDRAULICO (LARGO Y DELGADO)

HSK-A



Unit : mm

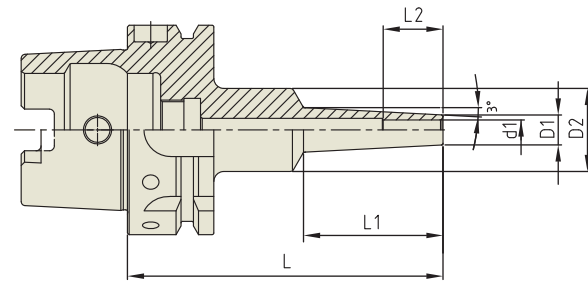
TAPER No.	MODEL No.	EDP No.	d1	D1	D2	L	L1	L2	G	WEIGHT (Kg)
63A	HSK63A-HC6LS-150	P2770469	6	26	50	150	103	25	M5×0.8	1.40
	HSK63A-HC6LS-200	P2770470	6	26	50	200	153	25	M5×0.8	1.60
	HSK63A-HC8LS-150	P2770471	8	28	50	150	104	25	M6×1.0	1.40
	HSK63A-HC8LS-200	P2770472	8	28	50	200	154	25	M6×1.0	1.60
	HSK63A-HC10LS-150	P2770473	10	30	50	150	104	29	M8×1.0	1.50
	HSK63A-HC10LS-200	P2770474	10	30	50	200	154	29	M8×1.0	1.70
	HSK63A-HC12LS-150	P2770475	12	32	50	150	105	34	M10×1.0	1.50
	HSK63A-HC12LS-200	P2770476	12	32	50	200	155	34	M10×1.0	1.80
	HSK63A-HC14LS-150	P2770477	14	34	50	150	105	34.5	M10×1.0	1.60
	HSK63A-HC16LS-150	P2770478	16	38	50	150	106	39	M12×1.0	1.80
	HSK63A-HC16LS-200	P2770479	16	38	50	200	156	39	M12×1.0	2.20
	HSK63A-HC18LS-150	P2770480	18	40	50	150	107	40.5	M12×1.0	1.80
	HSK63A-HC20LS-150	P2770481	20	42	50	150	108	40.5	M16×1.0	1.90
	HSK63A-HC20LS-200	P2770482	20	42	50	200	158	40.5	M16×1.0	2.40

- ▶ Balancing grade G2.5 at 25,000RPM or U max. < 1gmm.
- ▶ Supplied with clamping T-wrench.
- ▶ For applicable Hydraulic Chuck collet, please refer to page D291~D294.

SHRINK FIT HOLDER (EXTRA SLIM)

SCHRUMPFUTTER
MANDRIN DE FRETAGE
MADRINI PER CALLETAMENTO A CALDO
PORTAHERRAMIENTAS DE COMPRESION POR CALOR

HSK-A



Unit : mm									
TAPER No.	MODEL No.	EDP No.	d1	D1	D2	L	L1	L2	WEIGHT (Kg)
40A	HSK40A-SFHS3-60	P2779801S	3	6	20	60	22	9	-
	HSK40A-SFHS3-90	P2779802S	3	6	25	80	42	9	-
	HSK40A-SFHS4-60	P2779803S	4	7	20	60	22	12	-
	HSK40A-SFHS4-90	P2779804S	4	7	25	80	42	12	-
	HSK40A-SFHS6-60	P2779805S	6	9	20	60	22	18	-
	HSK40A-SFHS6-90	P2779806S	6	9	25	80	42	18	-
50A	HSK50A-SFHS3-95	P2779807S	3	6	25	95	42	9	-
	HSK50A-SFHS3-120	P2779808S	3	6	25	120	67	9	-
	HSK50A-SFHS4-95	P2779809S	4	7	25	95	42	12	-
	HSK50A-SFHS4-120	P2779810S	4	7	25	120	67	12	-
	HSK50A-SFHS6-95	P2779811S	6	9	25	95	42	18	-
	HSK50A-SFHS6-120	P2779812S	6	9	25	120	67	18	-
	HSK50A-SFHS8-95	P2779813S	8	11	32	95	42	24	-
	HSK50A-SFHS8-120	P2779814S	8	11	32	120	67	24	-
	HSK50A-SFHS10-95	P2779815S	10	13	32	95	42	30	-
	HSK50A-SFHS10-120	P2779816S	10	13	32	120	67	30	-
63A	HSK63A-SFHS3-95	P2779817S	3	6	25	95	42	9	0.75
	HSK63A-SFHS3-120	P2779818S	3	6	25	120	67	9	0.77
	HSK63A-SFHS4-95	P2779819S	4	7	25	95	42	12	0.75
	HSK63A-SFHS4-120	P2779820S	4	7	25	120	67	12	0.78
	HSK63A-SFHS6-95	P2779821S	6	9	25	95	42	18	0.76
	HSK63A-SFHS6-120	P2779822S	6	9	25	120	97	18	0.78
	HSK63A-SFHS8-95	P2779823S	8	11	25	95	42	24	0.75
	HSK63A-SFHS8-160	P2779824S	8	11	32	160	97	24	0.97
	HSK63A-SFHS10-95	P2779825S	10	13	25	95	42	30	0.76
	HSK63A-SFHS10-160	P2779826S	10	13	32	160	97	30	1.00
	HSK63A-SFHS12-95	P2779827S	12	15	32	95	42	30	0.83
	HSK63A-SFHS12-160	P2779828S	12	15	32	160	97	30	1.04

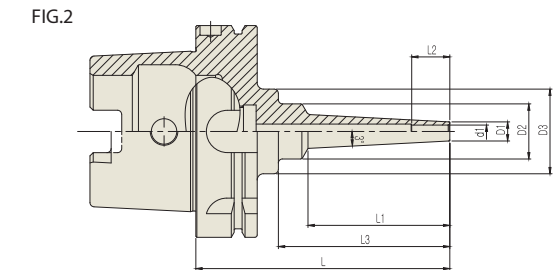
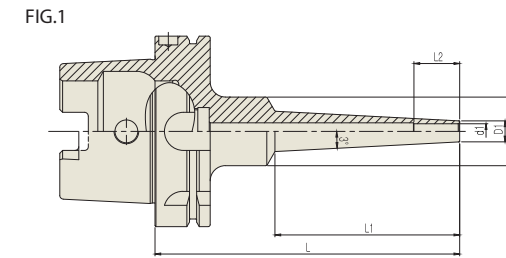
► Inch type products are available.
► Balancing grade G2.5 at 25,000RPM or U max. < 1gmm.

► NEXT PAGE

SHRINK FIT HOLDER (EXTRA SLIM)

SCHRUMPFUTTER
MANDRIN DE FRETAGE
MADRINI PER CALLETAMENTO A CALDO
PORTAHERRAMIENTAS DE COMPRESION POR CALOR

HSK-A



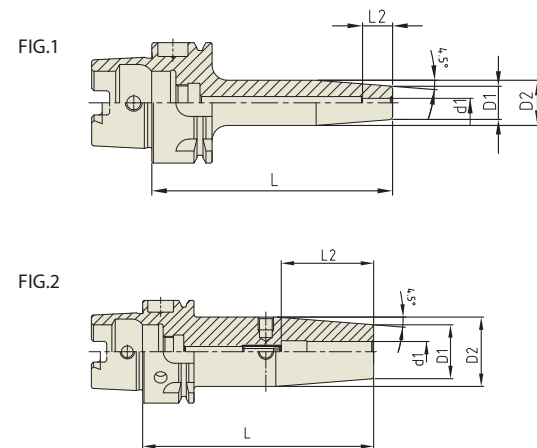
Unit : mm												
TAPER No.	MODEL No.	EDP No.	d1	D1	D2	D2	L	L1	L2	L3	FIG.	WEIGHT (Kg)
100A	HSK100A-SFHS3-95	P2779829S	3	6	26	40	95	42	9	56	2	2.12
	HSK100A-SFHS3-120	P2779830S	3	6	26	40	120	67	9	81	2	2.14
	HSK100A-SFHS4-95	P2779831S	4	7	26	40	95	42	12	56	2	2.12
	HSK100A-SFHS4-120	P2779832S	4	7	26	40	120	67	12	81	2	2.14
	HSK100A-SFHS6-95	P2779833S	6	9	26	40	95	42	18	56	2	2.12
	HSK100A-SFHS6-120	P2779834S	6	9	26	40	120	67	18	81	2	2.15
	HSK100A-SFHS8-95	P2779835S	8	11	36	-	95	42	24	-	1	2.18
	HSK100A-SFHS8-160	P2779836S	8	11	36	-	160	97	24	-	1	2.33
	HSK100A-SFHS10-95	P2779837S	10	13	36	-	95	42	31	-	1	2.19
	HSK100A-SFHS10-160	P2779838S	10	13	36	-	160	97	31	-	1	2.34
	HSK100A-SFHS12-95	P2779839S	12	15	36	-	95	42	32	-	1	2.20
	HSK100A-SFHS12-160	P2779840S	12	15	36	-	160	97	32	-	1	2.38

► Inch type products are available.
► Balancing grade G2.5 at 25,000RPM or U max. < 1gmm.

SHRINK FIT HOLDER

SCHRUMPFUTTER
MANDRIN DE FRETTAGE
MADRINI PER CALLETAMENTO A CALDO
PORTAHERRAMIENTAS DE COMPRESION POR CALOR

HSK-A



TAPER No.	MODEL No.	EDP No.	d1	D1	D2	L	L2	G	FIG.	WEIGHT (Kg)
40A	HSK40A-SFH3-60	P2771408	3	11	15	60	10	-	1	0.30
	HSK40A-SFH3-80	P2771409	3	11	15	80	10	-	1	0.40
	HSK40A-SFH4-60	P2771410	4	11	15	60	12	-	1	0.30
	HSK40A-SFH4-80	P2771411	4	11	15	80	12	-	1	0.40
	HSK40A-SFH5-60	P2771412	5	11	15	60	15	-	1	0.30
	HSK40A-SFH5-80	P2771413	5	11	15	80	15	-	1	0.40
	HSK40A-SFH6-60	P2771414	6	21	27	60	36	M5×0.8	2	0.40
	HSK40A-SFH6-80	P2771415	6	21	27	80	36	M5×0.8	2	0.50
	HSK40A-SFH8-70	P2771416	8	21	27	70	36	M5×0.8	2	0.40
	HSK40A-SFH8-90	P2771417	8	21	27	90	36	M5×0.8	2	0.50
	HSK40A-SFH10-70	P2771418	10	24	32	70	42	M5×0.8	2	0.50
	HSK40A-SFH10-90	P2771419	10	24	32	90	42	M5×0.8	2	0.60
50A	HSK50A-SFH3-80	P2771444	3	11	15	80	10	-	1	0.54
	HSK50A-SFH4-80	P2771445	4	11	15	80	12	-	1	0.55
	HSK50A-SFH5-80	P2771446	5	11	15	80	15	-	1	0.56
	HSK50A-SFH6-80	P2776901	6	21	27	80	36	M5×0.8	2	0.57
	HSK50A-SFH8-80	P2771447	8	21	27	80	36	M6×1.0	2	0.58
	HSK50A-SFH10-85	P2771448	10	24	32	85	42	M8×1.0	2	0.65
	HSK50A-SFH12-90	P2771449	12	24	32	90	47	M10×1.0	2	0.67
	HSK50A-SFH14-90	P2771450	14	27	34	90	47	M10×1.0	2	0.72
	HSK50A-SFH16-95	P2771451	16	27	34	95	50	M12×1.0	2	0.73
	HSK50A-SFH18-95	P2771452	18	33	42	95	50	M12×1.0	2	0.9
	HSK50A-SFH20-100	P2771453	20	33	42	100	52	M16×1.0	2	0.92

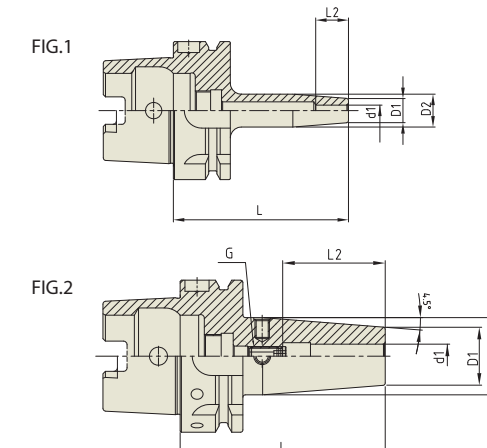
- ▶ Inch type products are available.
- ▶ Supplied without balancing screws.
- ▶ Balancing grade G2.5 at 25,000RPM or U max. < 1gmm.

▶ NEXT PAGE

SHRINK FIT HOLDER

SCHRUMPFUTTER
MANDRIN DE FRETTAGE
MADRINI PER CALLETAMENTO A CALDO
PORTAHERRAMIENTAS DE COMPRESION POR CALOR

HSK-A



TAPER No.	MODEL No.	EDP No.	d1	D1	D2	L	L2	G	FIG.	WEIGHT (Kg)
63A	HSK63A-SFH3-80	P2771401	3	11	15	80	10	-	1	0.70
	HSK63A-SFH4-80	P2771402	4	11	15	80	12	-	1	0.70
	HSK63A-SFH5-80	P2771403	5	11	15	80	15	-	1	0.70
	HSK63A-SFH6-80	P2565057	6	21	27	80	36	M5×0.8	2	0.83
	HSK63A-SFH6-130	P2860046	6	21	27	130	36	M5×0.8	2	-
	HSK63A-SFH6-160	P2771404	6	21	27	160	36	M5×0.8	2	1.00
	HSK63A-SFH8-80	P2600007	8	21	27	80	36	M6×1.0	2	0.83
	HSK63A-SFH8-130	P2860047	8	21	27	130	36	M6×1.0	2	-
	HSK63A-SFH8-160	P2771405	8	21	27	160	36	M6×1.0	2	1.00
	HSK63A-SFH10-85	P2565052	10	24	32	85	42	M8×1.0	2	0.83
	HSK63A-SFH10-130	P2860048	10	24	32	130	42	M8×1.0	2	-
	HSK63A-SFH10-160	P2771406	10	24	32	160	42	M8×1.0	2	1.00
	HSK63A-SFH12-90	P2600003	12	24	32	90	47	M10×1.0	2	0.83
	HSK63A-SFH12-130	P2860049	12	24	32	130	47	M10×1.0	2	-
	HSK63A-SFH12-160	P2771407	12	24	32	160	47	M10×1.0	2	1.00
	HSK63A-SFH14-90	P2771454	14	27	34	90	47	M10×1.0	2	0.91
	HSK63A-SFH14-130	P2860050	14	27	34	130	47	M10×1.0	2	-
	HSK63A-SFH14-160	P2771455	14	27	34	160	47	M10×1.0	2	1.30
	HSK63A-SFH16-95	P2565054	16	27	34	95	50	M12×1.0	2	0.98
	HSK63A-SFH16-130	P2860051	16	27	34	130	50	M12×1.0	2	-
	HSK63A-SFH16-160	P2565053	16	27	34	160	50	M12×1.0	2	1.40
	HSK63A-SFH18-95	P2771456	18	33	42	95	50	M12×1.0	2	0.98
	HSK63A-SFH18-130	P2860052	18	33	42	130	50	M12×1.0	2	-
	HSK63A-SFH18-160	P2771457	18	33	42	160	50	M12×1.0	2	1.40
	HSK63A-SFH20-100	P2600005	20	33	42	100	52	M16×1.0	2	1.00
	HSK63A-SFH20-130	P2860053	20	33	42	130	52	M16×1.0	2	-
	HSK63A-SFH20-160	P2565055	20	33	42	160	52	M16×1.0	2	1.40
	HSK63A-SFH25-115	P2771458	25	44	53	115	58	M16×1.0	2	1.40
	HSK63A-SFH25-130	P2860054	25	44	53	130	58	M16×1.0	2	-
	HSK63A-SFH25-160	P2771459	25	44	53	160	58	M16×1.0	2	1.80

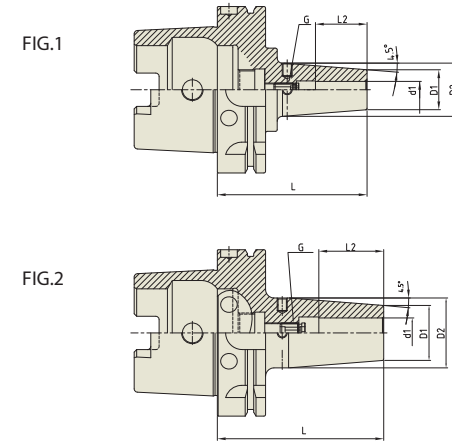
- ▶ Inch type products are available.
- ▶ Supplied without balancing screws.
- ▶ Balancing grade G2.5 at 25,000RPM or U max. < 1gmm.

▶ NEXT PAGE

SHRINK FIT HOLDER

SCHRUMPFUTTER
MANDRIN DE FRETTAGE
MADRINI PER CALLETAMENTO A CALDO
PORTAHERRAMIENTAS DE COMPRESION POR CALOR

HSK-A



Unit : mm

TAPER No.	MODEL No.	EDP No.	d1	D1	D2	L	L2	G	FIG.	WEIGHT (Kg)
80A	HSK80A-SFH6-85	P2771460	6	21	27	85	36	M5x0.8	1	-
	HSK80A-SFH8-85	P2771461	8	21	27	85	36	M6x1.0	1	-
	HSK80A-SFH10-90	P2771462	10	24	32	90	41	M8x1.0	2	-
	HSK80A-SFH12-95	P2771463	12	24	32	95	46	M10x1.0	2	-
	HSK80A-SFH14-95	P2771464	14	27	34	95	46	M10x1.0	2	-
	HSK80A-SFH16-100	P2771465	16	27	34	100	49	M12x1.0	2	-
	HSK80A-SFH18-100	P2771466	18	33	42	100	49	M12x1.0	2	-
	HSK80A-SFH20-105	P2771467	20	33	42	105	51	M16x1.0	2	-
	HSK80A-SFH25-115	P2771468	25	44	53	115	57	M16x1.0	2	-
100A	HSK100A-SFH3-85	P2771469	3	11	15	85	10	-	1	1.30
	HSK100A-SFH4-85	P2771470	4	11	15	85	12	-	1	1.30
	HSK100A-SFH5-85	P2771471	5	11	15	85	15	-	1	1.30
	HSK100A-SFH6-85	P2777301	6	21	27	85	36	M5x0.8	1	1.30
	HSK100A-SFH6-130	P2860055	6	21	27	130	36	M5x0.8	1	-
	HSK100A-SFH6-160	P2771472	6	21	27	160	36	M5x0.8	1	1.80
	HSK100A-SFH6-200	P2860006	6	21	27	200	36	M5x0.8	1	-
	HSK100A-SFH8-85	P2777302	8	21	27	85	36	M6x1.0	1	1.30
	HSK100A-SFH8-130	P2860056	8	21	27	130	36	M6x1.0	1	-
	HSK100A-SFH8-160	P2771473	8	21	27	160	36	M6x1.0	1	1.80
	HSK100A-SFH8-200	P2860007	8	21	27	200	36	M6x1.0	1	-
	HSK100A-SFH10-90	P2777303	10	24	32	90	42	M8x1.0	1	1.30
	HSK100A-SFH10-130	P2860057	10	24	32	130	42	M8x1.0	1	-
	HSK100A-SFH10-160	P2771474	10	24	32	160	42	M8x1.0	1	1.80
	HSK100A-SFH10-200	P2860008	10	24	32	200	42	M8x1.0	1	-
	HSK100A-SFH12-95	P2777304	12	24	32	95	47	M10x1.0	1	1.30
	HSK100A-SFH12-130	P2860058	12	24	32	130	47	M10x1.0	1	-
	HSK100A-SFH12-160	P2771475	12	24	32	160	47	M10x1.0	1	1.80
	HSK100A-SFH12-200	P2860009	12	24	32	200	47	M10x1.0	1	-

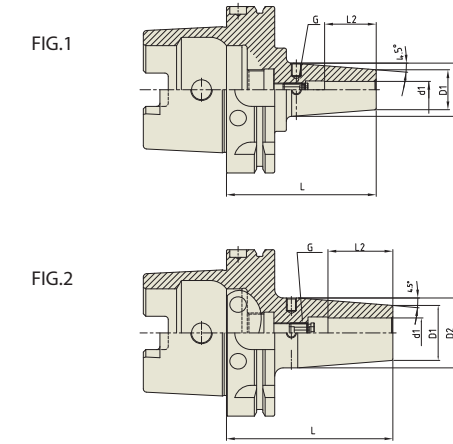
- ▶ Inch type products are available.
- ▶ Supplied without balancing screws.
- ▶ Balancing grade G2.5 at 25,000RPM or U max. < 1gmm.

▶ NEXT PAGE

SHRINK FIT HOLDER

SCHRUMPFUTTER
MANDRIN DE FRETTAGE
MADRINI PER CALLETAMENTO A CALDO
PORTAHERRAMIENTAS DE COMPRESION POR CALOR

HSK-A



Unit : mm

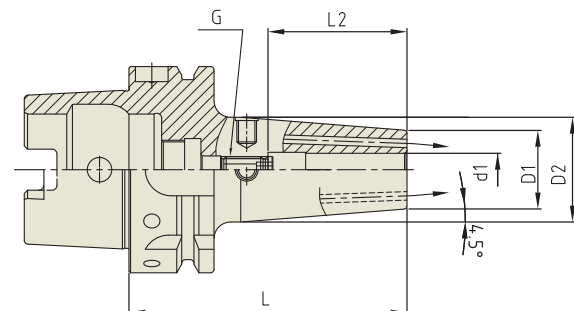
TAPER No.	MODEL No.	EDP No.	d1	D1	D2	L	L2	G	FIG.	WEIGHT (Kg)
100A	HSK100A-SFH14-95	P2771476	14	27	34	95	47	M10x1.0	1	1.40
	HSK100A-SFH14-130	P2860059	14	27	34	130	47	M10x1.0	1	-
	HSK100A-SFH14-160	P2771477	14	27	34	160	47	M10x1.0	1	1.90
	HSK100A-SFH14-200	P2860060	14	27	34	200	47	M10x1.0	1	-
	HSK100A-SFH16-100	P2771478	16	27	34	100	50	M12x1.0	1	1.40
	HSK100A-SFH16-130	P2860061	16	27	34	130	50	M12x1.0	1	-
	HSK100A-SFH16-160	P2771479	16	27	34	160	50	M12x1.0	1	1.90
	HSK100A-SFH16-200	P2860062	16	27	34	200	50	M12x1.0	1	-
	HSK100A-SFH18-100	P2771480	18	33	42	100	50	M12x1.0	2	1.50
	HSK100A-SFH18-130	P2860063	18	33	42	130	50	M12x1.0	2	-
	HSK100A-SFH18-160	P2771481	18	33	42	160	50	M12x1.0	2	2.00
	HSK100A-SFH18-200	P2860064	18	33	42	200	50	M12x1.0	2	-
	HSK100A-SFH20-100	P2771482	20	33	42	100	52	M16x1.0	2	1.50
	HSK100A-SFH20-130	P2860065	20	33	42	130	52	M16x1.0	2	-
	HSK100A-SFH20-160	P2771483	20	33	42	160	52	M16x1.0	2	2.00
	HSK100A-SFH20-200	P2860066	20	33	42	200	52	M16x1.0	2	-
	HSK100A-SFH25-115	P2771484	25	44	53	115	58	M16x1.0	2	1.80
	HSK100A-SFH25-130	P2860067	25	44	53	130	58	M16x1.0	2	-
	HSK100A-SFH25-160	P2771485	25	44	53	160	58	M16x1.0	2	2.30
	HSK100A-SFH25-200	P2860068	25	44	53	200	58	M16x1.0	2	-

- ▶ Inch type products are available.
- ▶ Supplied without balancing screws.
- ▶ Balancing grade G2.5 at 25,000RPM or U max. < 1gmm.

SHRINK FIT HOLDER (COOLANT CHANNEL)

SCHRUMPFUTTER
MANDRIN DE FRETAGE
MADRINI PER CALLETAMENTO A CALDO
PORTAHERRAMIENTAS DE COMPRESION POR CALOR

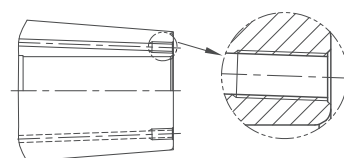
HSK-A



Unit : mm

TAPER No.	MODEL No.	EDP No.	d1	D1	D2	L	L2	G	WEIGHT (Kg)
63A	HSK63A-SFH3C-80*1	P2862131C	3	12	17	80	10	-	-
	HSK63A-SFH4C-80*1	P2862132C	4	12	17	80	12	-	-
	HSK63A-SFH5C-80*1	P2862133C	5	12	17	80	15	-	-
	HSK63A-SFH6C-80	P2862013C	6	21	27	80	36	M5x0.8	0.83
	HSK63A-SFH6C-130	P2863400C	6	21	27	130	36	M5x0.8	-
	HSK63A-SFH6C-160	P2862014C	6	21	27	160	36	M5x0.8	1.00
	HSK63A-SFH8C-80	P2862015C	8	21	27	80	36	M6x1.0	0.83
	HSK63A-SFH8C-130	P2863401C	8	21	27	130	36	M6x1.0	-
	HSK63A-SFH8C-160	P2862016C	8	21	27	160	36	M6x1.0	1.00
	HSK63A-SFH10C-85	P2862017C	10	24	32	85	42	M8x1.0	0.83
	HSK63A-SFH10C-130	P2863402C	10	24	32	130	42	M8x1.0	-
	HSK63A-SFH10C-160	P2862018C	10	24	32	160	42	M8x1.0	1.00
	HSK63A-SFH12C-90	P2862019C	12	24	32	90	47	M10x1.0	0.83
	HSK63A-SFH12C-130	P2863403C	12	24	32	130	47	M10x1.0	-
	HSK63A-SFH12C-160	P2862020C	12	24	32	160	47	M10x1.0	1.00
	HSK63A-SFH14C-90	P2862021C	14	27	34	90	47	M10x1.0	0.91
	HSK63A-SFH14C-130	P2863404C	14	27	34	130	47	M10x1.0	-
	HSK63A-SFH14C-160	P2862022C	14	27	34	160	47	M10x1.0	1.30
	HSK63A-SFH16C-95	P2862023C	16	27	34	95	50	M12x1.0	0.98
	HSK63A-SFH16C-130	P2863405C	16	27	34	130	50	M12x1.0	-
	HSK63A-SFH16C-160	P2862024C	16	27	34	160	50	M12x1.0	1.40
	HSK63A-SFH18C-95	P2862025C	18	33	42	95	50	M12x1.0	0.98
	HSK63A-SFH18C-130	P2863406C	18	33	42	130	50	M12x1.0	-
	HSK63A-SFH18C-160	P2862026C	18	33	42	160	50	M12x1.0	1.40
	HSK63A-SFH20C-100	P2862027C	20	33	42	100	52	M16x1.0	1.00
HSK63A-SFH20C-130	P2863407C	20	33	42	130	52	M16x1.0	-	
HSK63A-SFH20C-160	P2862028C	20	33	42	160	52	M16x1.0	1.40	
HSK63A-SFH25C-115	P2862029C	25	44	53	115	58	M16x1.0	1.40	
HSK63A-SFH25C-130	P2862142C	25	44	53	130	58	M16x1.0	-	
HSK63A-SFH25C-160	P2862030C	25	44	53	160	58	M16x1.0	1.80	

- ▶ Inch type products are available.
- ▶ Supplied without balancing screws.
- ▶ Balancing grade G2.5 at 25,000RPM or U max. < 1gmm.
- ▶ With two coolant channel bores.
- ▶ Resealable coolant channel type is available upon request. (Thread for plugging screw & 2 screws)
- ▶ *1 Resealable type is not available.

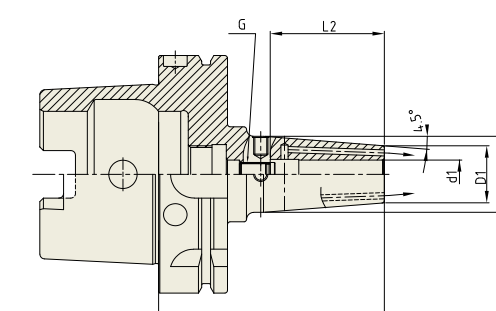


▶ NEXT PAGE

SHRINK FIT HOLDER (COOLANT CHANNEL)

SCHRUMPFUTTER
MANDRIN DE FRETAGE
MADRINI PER CALLETAMENTO A CALDO
PORTAHERRAMIENTAS DE COMPRESION POR CALOR

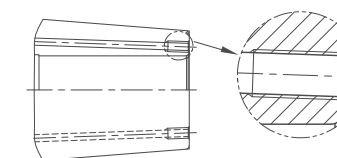
HSK-A



Unit : mm

TAPER No.	MODEL No.	EDP No.	d1	D1	D2	L	L2	G	WEIGHT (Kg)
100A	HSK100A-SFH3C-85*1	P2862143C	3	12	17	85	10	-	-
	HSK100A-SFH4C-85*1	P2862144C	4	12	17	85	12	-	-
	HSK100A-SFH5C-85*1	P2862145C	5	12	17	85	15	-	-
	HSK100A-SFH6C-85	P2862031C	6	21	27	85	36	M5x0.8	1.30
	HSK100A-SFH6C-130	P2863408C	6	21	27	130	36	M5x0.8	-
	HSK100A-SFH6C-160	P2862032C	6	21	27	160	36	M5x0.8	1.80
	HSK100A-SFH6C-200	P2863409C	6	21	27	200	36	M5x0.8	-
	HSK100A-SFH8C-85	P2862033C	8	21	27	85	36	M6x1.0	1.30
	HSK100A-SFH8C-130	P2863410C	8	21	27	130	36	M6x1.0	-
	HSK100A-SFH8C-160	P2862034C	8	21	27	160	36	M6x1.0	1.80
	HSK100A-SFH8C-200	P2863411C	8	21	27	200	36	M6x1.0	-
	HSK100A-SFH10C-90	P2862035C	10	24	32	90	42	M8x1.0	1.30
	HSK100A-SFH10C-130	P2863412C	10	24	32	130	42	M8x1.0	-
	HSK100A-SFH10C-160	P2862036C	10	24	32	160	42	M8x1.0	1.80
	HSK100A-SFH10C-200	P2863413C	10	24	32	200	42	M8x1.0	-
	HSK100A-SFH12C-95	P2862037C	12	24	32	95	47	M10x1.0	1.30
	HSK100A-SFH12C-130	P2863414C	12	24	32	130	47	M10x1.0	-
	HSK100A-SFH12C-160	P2862038C	12	24	32	160	47	M10x1.0	1.80
	HSK100A-SFH12C-200	P2863415C	12	24	32	200	47	M10x1.0	-
	HSK100A-SFH14C-95	P2862039C	14	27	34	95	47	M10x1.0	1.40
	HSK100A-SFH14C-130	P2863416C	14	27	34	130	47	M10x1.0	-
	HSK100A-SFH14C-160	P2862040C	14	27	34	160	47	M10x1.0	1.90
	HSK100A-SFH14C-200	P2863417C	14	27	34	200	47	M10x1.0	-
	HSK100A-SFH16C-100	P2862041C	16	27	34	100	50	M12x1.0	1.40
	HSK100A-SFH16C-130	P2863418C	16	27	34	130	50	M12x1.0	-
	HSK100A-SFH16C-160	P2862042C	16	27	34	160	50	M12x1.0	1.90
	HSK100A-SFH16C-200	P2863419C	16	27	34	200	50	M12x1.0	-

- ▶ Inch type products are available.
- ▶ Supplied without balancing screws.
- ▶ Balancing grade G2.5 at 25,000RPM or U max. < 1gmm.
- ▶ With two coolant channel bores.
- ▶ Resealable coolant channel type is available upon request. (Thread for plugging screw & 2 screws)
- ▶ *1 Resealable type is not available.

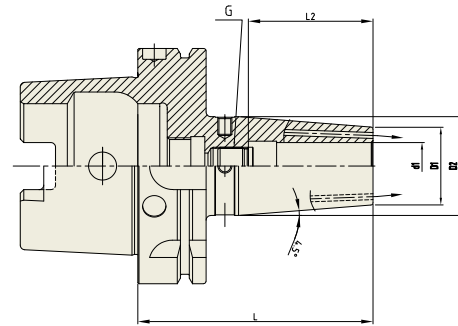


▶ NEXT PAGE

SHRINK FIT HOLDER (COOLANT CHANNEL)

SCHRUMPFUTTER
MANDRIN DE FRETAGE
MADRINI PER CALLETAMENTO A CALDO
PORTAHERRAMIENTAS DE COMPRESION POR CALOR

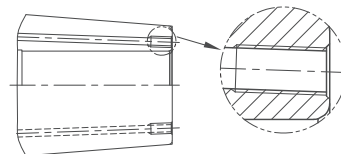
HSK-A



Unit : mm

TAPER No.	MODEL No.	EDP No.	d1	D1	D2	L	L2	G	WEIGHT (Kg)
100A	HSK100A-SFH18C-100	P2862043C	18	33	42	100	50	M12x1.0	1.50
	HSK100A-SFH18C-130	P2863420C	18	33	42	130	50	M12x1.0	-
	HSK100A-SFH18C-160	P2862044C	18	33	42	160	50	M12x1.0	2.00
	HSK100A-SFH18C-200	P2863421C	18	33	42	200	50	M12x1.0	-
	HSK100A-SFH20C-100	P2862045C	20	33	42	100	52	M16x1.0	1.50
	HSK100A-SFH20C-130	P2863422C	20	33	42	130	52	M16x1.0	-
	HSK100A-SFH20C-160	P2862046C	20	33	42	160	52	M16x1.0	2.00
	HSK100A-SFH20C-200	P2863423C	20	33	42	200	52	M16x1.0	-
	HSK100A-SFH25C-115	P2862047C	25	44	53	115	58	M16x1.0	1.80
	HSK100A-SFH25C-130	P2863424C	25	44	53	130	58	M16x1.0	-
	HSK100A-SFH25C-160	P2862048C	25	44	53	160	58	M16x1.0	2.30
	HSK100A-SFH25C-200	P2863425C	25	44	53	200	58	M16x1.0	-

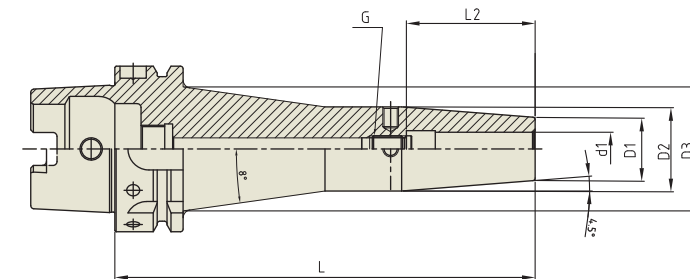
- ▶ Inch type products are available.
- ▶ Supplied without balancing screws.
- ▶ Balancing grade G2.5 at 25,000RPM or U max. < 1gmm.
- ▶ With two coolant channel bores.
- ▶ Resealable coolant channel type is available upon request. (Thread for plugging screw & 2 screws)



SHRINK FIT HOLDER (REINFORCED)

SCHRUMPFUTTER
MANDRIN DE FRETAGE
MADRINI PER CALLETAMENTO A CALDO
PORTAHERRAMIENTAS DE COMPRESION POR CALOR

HSK-A



Unit : mm

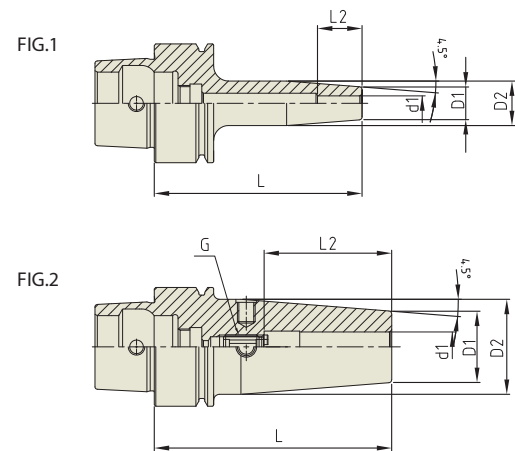
TAPER No.	MODEL No.	EDP No.	d1	D1	D2	D3	L	L2	G	WEIGHT (Kg)
63A	HSK63A-SFH6 TW-160	P2801501TW	6	21	27	42.2	160	36	M5x0.8	1.36
	HSK63A-SFH8 TW-160	P2801502TW	8	21	27	42.2	160	36	M6x1.0	1.35
	HSK63A-SFH10 TW-160	P2801503TW	10	24	32	47.2	160	42	M8x1.0	1.56
	HSK63A-SFH12 TW-160	P2801504TW	12	24	32	47.2	160	47	M10x1.0	1.55
	HSK63A-SFH14 TW-160	P2801505TW	14	27	34	49.2	160	47	M10x1.0	1.52
	HSK63A-SFH16 TW-160	P2801506TW	16	27	34	49.2	160	50	M12x1.0	1.64
100A	HSK100A-SFH6 TW-160	P2801507TW	6	21	27	41.3	160	36	M5x0.8	2.73
	HSK100A-SFH8 TW-160	P2801508TW	8	21	27	41.3	160	36	M6x1.0	2.72
	HSK100A-SFH10 TW-160	P2801509TW	10	24	32	46.3	160	42	M8x1.0	2.92
	HSK100A-SFH12 TW-160	P2801510TW	12	24	32	46.3	160	47	M10x1.0	2.9
	HSK100A-SFH14 TW-160	P2801511TW	14	27	34	48.3	160	47	M10x1.0	3.05
	HSK100A-SFH16 TW-160	P2801512TW	16	27	34	48.3	160	50	M12x1.0	3.03
	HSK100A-SFH18 TW-160	P2801513TW	18	33	42	56.3	160	50	M12x1.0	3.39
	HSK100A-SFH20 TW-160	P2801514TW	20	33	42	56.3	160	52	M16x1.0	3.36

- ▶ Inch type products are available.
- ▶ Supplied without balancing screws.
- ▶ Balancing grade G2.5 at 25,000RPM or U max. < 1gmm.

SHRINK FIT HOLDER

SCHRUMPFUTTER
MANDRIN DE FRETAGE
MADRINI PER CALLETAMENTO A CALDO
PORTAHERRAMIENTAS DE COMPRESION POR CALOR

HSK-E



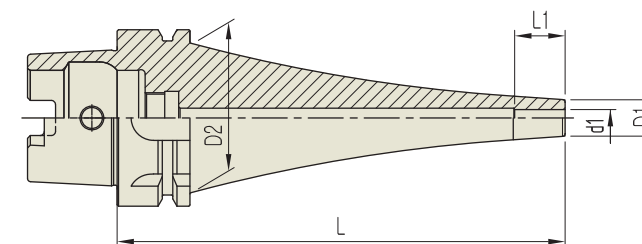
Unit : mm										
TAPER No.	MODEL No.	EDP No.	d1	D1	D2	L	L2	G	FIG.	WEIGHT (Kg)
25E	HSK25E-SFH3-45	P2771420	3	11	15	45	10	-	1	-
	HSK25E-SFH4-45	P2771421	4	11	15	45	12	-	1	-
	HSK25E-SFH5-45	P2771422	5	11	15	45	15	-	1	-
	HSK25E-SFH6-45	P2771423	6	12	17	45	18	-	2	-
	HSK25E-SFH8-45	P2771424	8	14	18	45	30	-	2	-
	HSK25E-SFH10-50	P2771425	10	16	20	50	37	-	2	-
32E	HSK32E-SFH3-60	P2771426	3	11	15	60	10	-	1	0.40
	HSK32E-SFH4-60	P2771427	4	11	15	60	12	-	1	0.50
	HSK32E-SFH5-60	P2771428	5	11	15	60	15	-	1	0.40
	HSK32E-SFH6-70	P2771429	6	12	17	70	18	-	2	0.50
	HSK32E-SFH8-70	P2771430	8	14	18	70	30	-	2	0.50
	HSK32E-SFH10-80	P2771431	10	16	20	80	37	-	2	0.60
40E	HSK40E-SFH3-60	P2771432	3	11	15	60	10	-	1	0.30
	HSK40E-SFH3-80	P2771433	3	11	15	80	10	-	1	0.40
	HSK40E-SFH4-60	P2771434	4	11	15	60	12	-	1	0.30
	HSK40E-SFH4-80	P2771435	4	11	15	80	12	-	1	0.40
	HSK40E-SFH5-60	P2771436	5	11	15	60	15	-	1	0.30
	HSK40E-SFH5-80	P2771437	5	11	15	80	15	-	1	0.40
	HSK40E-SFH6-60	P2771438	6	21	27	60	36	M5×0.8	2	0.40
	HSK40E-SFH6-80	P2771439	6	21	27	80	36	M5×0.8	2	0.50
	HSK40E-SFH8-70	P2771440	8	21	27	70	36	M6×1.0	2	0.40
	HSK40E-SFH8-90	P2771441	8	21	27	90	36	M6×1.0	2	0.50
	HSK40E-SFH10-70	P2771442	10	24	32	70	42	M8×1.0	2	0.50
	HSK40E-SFH10-90	P2771443	10	24	32	90	42	M8×1.0	2	0.60

- ▶ Inch type products are available.
- ▶ Supplied without balancing screws.
- ▶ Balancing grade G2.5 at 25,000RPM or U max. < 1gmm.

SHRINK FIT HOLDER (CURVED)

SCHRUMPFUTTER (GEBOGEN)
MANDRIN DE FRETAGE (INCURVÉ)
MADRINI PER CALLETAMENTO A CALDO (CURVO)
PORTAHERRAMIENTAS DE COMPRESION POR CALOR (CURVADO)

HSK-A



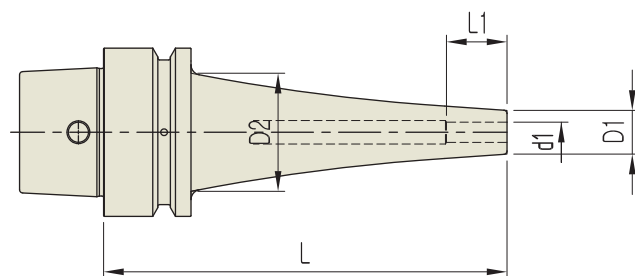
Unit : mm								
TAPER No.	MODEL No.	EDP No.	d1	D1	D2	L	L1	WEIGHT (Kg)
63A	HSK63A-SFH4CV-120	P2785029CV	4	10	53	120	12	-
	HSK63A-SFH4CV-150	P2785030CV	4	10	53	150	12	-
	HSK63A-SFH6CV-90	P2785031CV	6	13	53	90	18	-
	HSK63A-SFH6CV-120	P2785032CV	6	13	53	120	18	-
	HSK63A-SFH6CV-150	P2785033CV	6	13	53	150	18	-
	HSK63A-SFH8CV-90	P2785034CV	8	16	53	90	24	-
	HSK63A-SFH8CV-120	P2785035CV	8	16	53	120	24	-
	HSK63A-SFH8CV-150	P2785036CV	8	16	53	150	24	-
	HSK63A-SFH10CV-90	P2785037CV	10	19	53	90	30	-
	HSK63A-SFH10CV-120	P2785038CV	10	19	53	120	30	-
	HSK63A-SFH10CV-150	P2785039CV	10	19	53	150	30	-
	HSK63A-SFH12CV-90	P2785040CV	12	22	53	90	30	-
	HSK63A-SFH12CV-120	P2785041CV	12	22	53	120	30	-
	HSK63A-SFH12CV-150	P2785042CV	12	22	53	150	30	-
100A	HSK100A-SFH8CV-195	P2785043CV	8	16	85	195	24	-
	HSK100A-SFH8CV-225	P2785044CV	8	16	85	225	24	-
	HSK100A-SFH10CV-165	P2785045CV	10	19	85	165	30	-
	HSK100A-SFH10CV-195	P2785046CV	10	19	85	195	30	-
	HSK100A-SFH10CV-225	P2785047CV	10	19	85	225	30	-
	HSK100A-SFH12CV-165	P2785048CV	12	22	85	165	30	-
	HSK100A-SFH12CV-195	P2785049CV	12	22	85	195	30	-
	HSK100A-SFH12CV-225	P2785050CV	12	22	85	225	30	-

- ▶ Inch type products are available.
- ▶ Balancing grade G2.5 at 25,000RPM or U max. < 1gmm.

SHRINK FIT HOLDER (CURVED)

SCHRUMPFUTTER (GEBOGEN)
 MANDRIN DE FRETTAGE (INCURVÉ)
 MADRINI PER CALLETAMENTO A CALDO (CURVO)
 PORTAHERRAMIENTAS DE COMPRESION POR CALOR (CURVADO)

HSK-E



Unit : mm

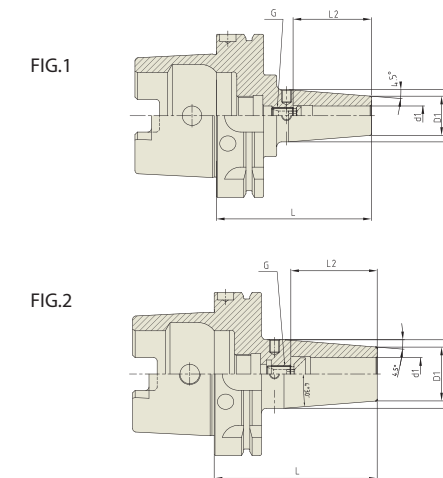
TAPER No.	MODEL No.	EDP No.	d1	D1	D2	L	L1	WEIGHT (Kg)
40E	HSK40E-SFH4CV-90	P2785051CV	4	10	34	90	12	-
	HSK40E-SFH4CV-120	P2785052CV	4	10	34	120	12	-
	HSK40E-SFH6CV-90	P2785053CV	6	13	34	90	18	-
	HSK40E-SFH6CV-120	P2785054CV	6	13	34	120	18	-
	HSK40E-SFH8CV-90	P2785055CV	8	16	34	90	24	-
	HSK40E-SFH8CV-120	P2785056CV	8	16	34	120	24	-
	HSK40E-SFH10CV-90	P2785057CV	10	19	34	90	30	-
50E	HSK40E-SFH10CV-120	P2785058CV	10	19	34	120	30	-
	HSK50E-SFH4CV-120	P2785059CV	4	10	42	120	12	-
	HSK50E-SFH4CV-150	P2785060CV	4	10	42	150	12	-
	HSK50E-SFH6CV-120	P2785061CV	6	13	42	120	18	-
	HSK50E-SFH6CV-150	P2785062CV	6	13	42	150	18	-
	HSK50E-SFH8CV-120	P2785063CV	8	16	42	120	24	-
	HSK50E-SFH8CV-150	P2785064CV	8	16	42	150	24	-
	HSK50E-SFH10CV-150	P2785065CV	10	19	42	150	30	-

- ▶ Inch type products are available.
- ▶ Balancing grade G2.5 at 25,000RPM or U max. < 1gmm.

SHRINK FIT HOLDER (MQL1)

SCHRUMPFUTTER
 MANDRIN DE FRETTAGE
 MADRINI PER CALLETAMENTO A CALDO
 PORTAHERRAMIENTAS DE COMPRESION POR CALOR

HSK-A



Unit : mm

TAPER No.	MODEL No.	EDP No.	d1	D1	D2	L	L2	G	FIG.	WEIGHT (Kg)
63A	HSK63A-SFH6-80 M1	P2860010	6	21	27	80	36	M5×0.8	2	0.83
	HSK63A-SFH6-160 M1	P2860011	6	21	27	160	36	M5×0.8	2	1.00
	HSK63A-SFH8-80 M1	P2860012	8	21	27	80	36	M6×1.0	2	0.83
	HSK63A-SFH8-160 M1	P2860013	8	21	27	160	36	M6×1.0	2	1.00
	HSK63A-SFH10-85 M1	P2860014	10	24	32	85	42	M8×1.0	2	0.83
	HSK63A-SFH10-160 M1	P2860015	10	24	32	160	42	M8×1.0	2	1.00
	HSK63A-SFH12-90 M1	P2860016	12	24	32	90	47	M10×1.0	2	0.83
	HSK63A-SFH12-160 M1	P2860017	12	24	32	160	47	M10×1.0	2	1.00
	HSK63A-SFH14-90 M1	P2860018	14	27	34	90	47	M10×1.0	2	0.91
	HSK63A-SFH14-160 M1	P2860019	14	27	34	160	47	M10×1.0	2	1.30
	HSK63A-SFH16-95 M1	P2860020	16	27	34	95	50	M10×1.0	2	0.98
	HSK63A-SFH16-160 M1	P2860021	16	27	34	160	50	M10×1.0	2	1.40
	HSK63A-SFH18-95 M1	P2860022	18	33	42	95	50	M10×1.0	2	0.98
	HSK63A-SFH18-160 M1	P2860023	18	33	42	160	50	M10×1.0	2	1.40
	HSK63A-SFH20-100 M1	P2860024	20	33	42	100	52	M10×1.0	2	1.00
	HSK63A-SFH20-160 M1	P2860025	20	33	42	160	52	M10×1.0	2	1.40
	HSK63A-SFH25-115 M1	P2860026	25	44	53	115	58	M10×1.0	2	1.40
	HSK63A-SFH25-160 M1	P2860027	25	44	53	160	58	M10×1.0	2	1.80

- ▶ Inch type products are available.
- ▶ Supplied without balancing screws.
- ▶ Balancing grade G2.5 at 25,000RPM or U max. < 1gmm.

▶ NEXT PAGE

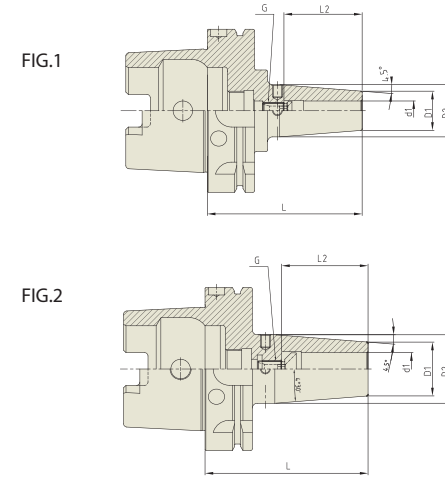
SHRINK FIT HOLDER

SFH

SHRINK FIT HOLDER (MQL1)

SCHRUMPFUTTER
MANDRIN DE FRETTAGE
MADRINI PER CALLETAMENTO A CALDO
PORTAHERRAMIENTAS DE COMPRESION POR CALOR

HSK-A



Unit : mm										
TAPER No.	MODEL No.	EDP No.	d1	D1	D2	L	L2	G	FIG.	WEIGHT (Kg)
100A	HSK100A-SFH6-85 M1	P2860028	6	21	27	85	36	M5×0.8	1	1.30
	HSK100A-SFH6-160 M1	P2860029	6	21	27	160	36	M5×0.8	1	1.80
	HSK100A-SFH8-85 M1	P2860030	8	21	27	85	36	M6×1.0	1	1.30
	HSK100A-SFH8-160 M1	P2860031	8	21	27	160	36	M6×1.0	1	1.80
	HSK100A-SFH10-90 M1	P2860032	10	24	32	90	42	M8×1.0	1	1.30
	HSK100A-SFH10-160 M1	P2860033	10	24	32	160	42	M8×1.0	1	1.80
	HSK100A-SFH12-95 M1	P2860034	12	24	32	95	47	M10×1.0	1	1.30
	HSK100A-SFH12-160 M1	P2860035	12	24	32	160	47	M10×1.0	1	1.80
	HSK100A-SFH14-95 M1	P2860036	14	27	34	95	47	M10×1.0	1	1.40
	HSK100A-SFH14-160 M1	P2860037	14	27	34	160	47	M10×1.0	1	1.90
	HSK100A-SFH16-100 M1	P2860038	16	27	34	100	50	M10×1.0	1	1.40
	HSK100A-SFH16-160 M1	P2860039	16	27	34	160	50	M10×1.0	1	1.90
	HSK100A-SFH18-100 M1	P2860040	18	33	42	100	50	M10×1.0	2	1.50
	HSK100A-SFH18-160 M1	P2860041	18	33	42	160	50	M10×1.0	2	2.00
	HSK100A-SFH20-100 M1	P2860042	20	33	42	100	52	M10×1.0	2	1.50
	HSK100A-SFH20-160 M1	P2860043	20	33	42	160	52	M10×1.0	2	2.00
HSK100A-SFH25-115 M1	P2860044	25	44	53	115	58	M10×1.0	2	1.80	
HSK100A-SFH25-160 M1	P2860045	25	44	53	160	58	M10×1.0	2	2.30	

- ▶ Inch type products are available.
- ▶ Supplied without balancing screws.
- ▶ Balancing grade G2.5 at 25,000RPM or U max. < 1gmm.

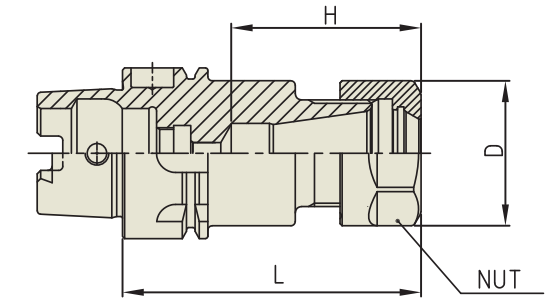
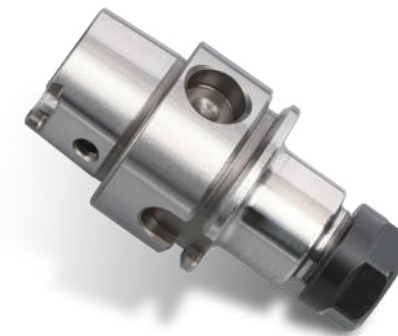
ER COLLET CHUCK

ER

ER COLLET CHUCK

SPANN FUTTER-ER
MANDRIN À PINCES-ER
MANDRINO PORTA PINZE-ER
PORTAPINZAS-ER

HSK-A



Unit : mm								
TAPER No.	MODEL No.	EDP No.	CLAMPING RANGE	L	D	H	NUT / COLLET	WEIGHT (Kg)
32A	HSK32A-ER11-50	P2774908	0.5 - 7.0	50	19	23.6	ER11	0.18
	HSK32A-ER16-60	P2774909	0.5 - 10.0	60	28	43.0	ER16	0.21
40A	HSK40A-ER11-60	P2774910	0.5 - 7.0	60	19	28.6	ER11	0.40
	HSK40A-ER16-60	P2774911	0.5 - 10.0	60	28	36.6	ER16	0.50
	HSK40A-ER20-70	P2774912	0.5 - 13.0	70	34	44.5	ER20	0.80

- ▶ Balancing grade G2.5 at 25,000RPM or U max. < 1gmm.



Unit : mm								
TAPER No.	MODEL No.	EDP No.	CLAMPING RANGE	L	D	H	NUT / COLLET	WEIGHT (Kg)
32A	HSK32A-ER11-50	P2771908	0.5 - 7.0	50	19	28.6	ER11	0.18
	HSK32A-ER16-60	P2771909	0.5 - 10.0	60	28	36.6	ER16	0.21
40A	HSK40A-ER11-60	P2771901	0.5 - 7.0	60	19	28.6	ER11	0.40
	HSK40A-ER16-60	P2771902	0.5 - 10.0	60	28	36.6	ER16	0.50
	HSK40A-ER20-70	P2771903	0.5 - 13.0	70	34	44.5	ER20	0.80

- ▶ Inch type products are available.
- ▶ For applicable ER collet, please refer to page D296~D304.
- ▶ For applicable ER nut, Sealing disk and Spanner, please refer to page D305~D309.

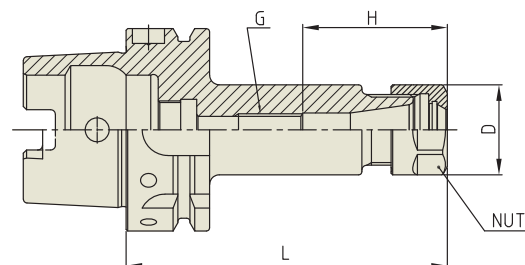
YG ER COLLET CHUCK

ER

ER COLLET CHUCK

SPANN FUTTER - ER
MANDRIN À PINCES - ER
MANDRINO PORTA PINZE - ER
PORTAPINZAS - ER

HSK-A



Unit : mm

TAPER No.	MODEL No.	EDP No.	CLAMPING RANGE	L	D	G	H	NUT / COLLET	WEIGHT (Kg)
50A	HSK50A-ER16-100	P2774938	0.5 - 10.0	100	28	M10	45	ER16	0.70
	HSK50A-ER20-100	P2774939	0.5 - 13.0	100	35	M12	50	ER20	0.90
	HSK50A-ER25-100	P2774940	1.0 - 16.0	100	42	M12	50	ER25	1.20
	HSK50A-ER32-100	P2774941	1.0 - 20.0	100	50	M12	47	ER32	1.50
63A	HSK63A-ER16-100	P2774901	0.5 - 10.0	100	28	M10	45	ER16	1.20
	HSK63A-ER16-130	P2774966	0.5 - 10.0	130	28	M10	45	ER16	-
	HSK63A-ER16-160	P2774953	0.5 - 10.0	160	28	M10	45	ER16	-
	HSK63A-ER20-100	P2774942	0.5 - 13.0	100	35	M12	50	ER20	1.50
	HSK63A-ER20-130	P2774967	0.5 - 13.0	130	35	M12	50	ER20	-
	HSK63A-ER20-160	P2774968	0.5 - 13.0	160	35	M12	50	ER20	-
	HSK63A-ER25-100	P2774902	1.0 - 16.0	100	42	M12	57	ER25	1.80
	HSK63A-ER25-130	P2774969	1.0 - 16.0	130	42	M12	57	ER25	-
	HSK63A-ER25-160	P2774970	1.0 - 16.0	160	42	M12	57	ER25	-
	HSK63A-ER32-100	P2774903	1.0 - 20.0	100	50	M12	60	ER32	2.00
	HSK63A-ER32-130	P2774971	1.0 - 20.0	130	50	M12	60	ER32	-
	HSK63A-ER32-160	P2774954	1.0 - 20.0	160	50	M12	60	ER32	-
	HSK63A-ER40-120	P2774904	2.0 - 30.0	120	63	M12	69	ER40	2.30
	HSK63A-ER40-160	P2774972	2.0 - 30.0	160	63	M12	69	ER40	-

- ▶ Inch type products are available.
- ▶ Balancing grade G2.5 at 25,000RPM or U max. < 1gmm.
- ▶ For applicable ER collet, please refer to page D296~D304.
- ▶ For applicable ER nut, Sealing disk and Spanner, please refer to page D305~D309.

▶ NEXT PAGE

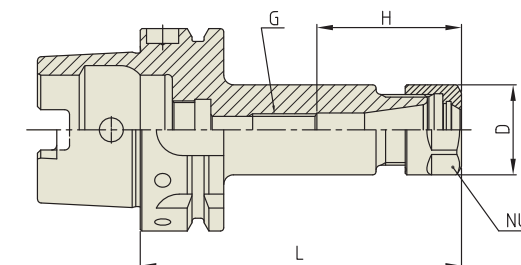
YG ER COLLET CHUCK

ER

ER COLLET CHUCK

SPANN FUTTER - ER
MANDRIN À PINCES - ER
MANDRINO PORTA PINZE - ER
PORTAPINZAS - ER

HSK-A



Unit : mm

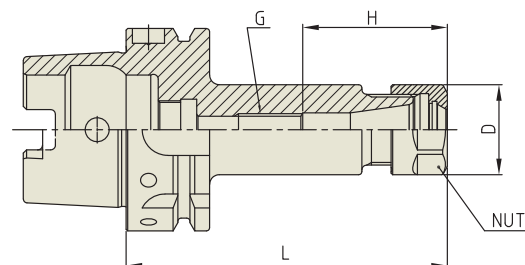
TAPER No.	MODEL No.	EDP No.	CLAMPING RANGE	L	D	G	H	NUT / COLLET	WEIGHT (Kg)
80A	HSK80A-ER16-100	P2774943	0.5 - 10.0	100	28	M10	45	ER16	1.77
	HSK80A-ER25-100	P2774944	1.0 - 16.0	100	42	M12	47	ER20	1.79
	HSK80A-ER32-100	P2774945	1.0 - 20.0	100	50	M12	53	ER25	1.95
100A	HSK100A-ER16-100	P2774905	0.5 - 10.0	100	28	M10	45	ER16	2.60
	HSK100A-ER16-130	P2774973	0.5 - 10.0	130	28	M10	45	ER16	-
	HSK100A-ER16-160	P2774998	0.5 - 10.0	160	28	M10	45	ER16	-
	HSK100A-ER20-100	P2774946	0.5 - 13.0	100	35	M12	50	ER20	2.70
	HSK100A-ER20-130	P2774974	0.5 - 13.0	130	35	M12	50	ER20	-
	HSK100A-ER20-160	P2774999	0.5 - 13.0	160	35	M12	50	ER20	-
	HSK100A-ER25-100	P2774906	1.0 - 16.0	100	42	M12	57	ER25	2.90
	HSK100A-ER25-130	P2774975	1.0 - 16.0	130	42	M12	57	ER25	-
	HSK100A-ER25-160	P2775000	1.0 - 16.0	160	42	M12	57	ER25	-
	HSK100A-ER32-100	P2774907	1.0 - 20.0	100	50	M12	65	ER32	3.10
	HSK100A-ER32-130	P2774976	1.0 - 20.0	130	50	M12	65	ER32	-
	HSK100A-ER32-160	P2774977	1.0 - 20.0	160	50	M12	65	ER32	-
	HSK100A-ER40-120	P2774947	1.0 - 20.0	120	63	M12	69	ER40	3.30
	HSK100A-ER40-160	P2774978	1.0 - 20.0	160	63	M12	69	ER40	-

- ▶ Inch type products are available.
- ▶ Balancing grade G2.5 at 25,000RPM or U max. < 1gmm.
- ▶ For applicable ER collet, please refer to page D296~D304.
- ▶ For applicable ER nut, Sealing disk and Spanner, please refer to page D305~D309.

ER COLLET CHUCK

SPANN FUTTER-ER
MANDRIN À PINCES-ER
MANDRINO PORTA PINZE-ER
PORTAPINZAS-ER

HSK-A



Unit : mm

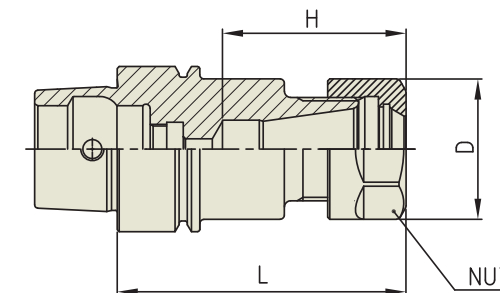
TAPER No.	MODEL No.	EDP No.	CLAMPING RANGE	L	D	G	H	NUT / COLLET	WEIGHT (Kg)
50A	HSK50A-ER16-100	P2771927	0.5 - 10.0	100	28	M10	45	ER16	0.70
	HSK50A-ER20-100	P2771928	0.5 - 13.0	100	35	M12	50	ER20	0.90
	HSK50A-ER25-100	P2771929	1.0 - 16.0	100	42	M12	50	ER25	1.20
	HSK50A-ER32-100	P2771930	1.0 - 20.0	100	50	M12	65	ER32	1.50
63A	HSK63A-ER16-100	P2564001	0.5 - 10.0	100	28	M10	45	ER16	1.20
	HSK63A-ER16-130	P2782007	0.5 - 10.0	130	28	M10	45	ER16	-
	HSK63A-ER16-160	P2771997	0.5 - 10.0	160	28	M10	45	ER16	-
	HSK63A-ER20-100	P2564005	0.5 - 13.0	100	35	M12	50	ER20	1.50
	HSK63A-ER20-130	P2782008	0.5 - 13.0	130	35	M12	50	ER20	-
	HSK63A-ER20-160	P2782009	0.5 - 13.0	160	35	M12	50	ER20	-
	HSK63A-ER25-100	P2564002	1.0 - 16.0	100	42	M12	57	ER25	1.80
	HSK63A-ER25-130	P2782010	1.0 - 16.0	130	42	M12	57	ER25	-
	HSK63A-ER25-160	P2782011	1.0 - 16.0	160	42	M12	57	ER25	-
	HSK63A-ER32-100	P2564003	1.0 - 20.0	100	50	M12	60	ER32	2.00
	HSK63A-ER32-130	P2782012	1.0 - 20.0	130	50	M12	60	ER32	-
	HSK63A-ER32-160	P2771998	1.0 - 20.0	160	50	M12	60	ER32	-
80A	HSK80A-ER40-120	P2564004	2.0 - 30.0	120	63	M12	75	ER40	2.30
	HSK80A-ER40-160	P2782013	2.0 - 30.0	160	63	M12	75	ER40	-
	HSK80A-ER16-100	P2771932	0.5 - 10.0	100	28	M10	45	ER16	1.77
	HSK80A-ER25-100	P2771933	1.0 - 16.0	100	42	M12	47	ER20	1.79
100A	HSK80A-ER32-100	P2771934	1.0 - 20.0	100	50	M12	53	ER25	1.95
	HSK100A-ER16-100	P2564011	0.5 - 10.0	100	28	M10	45	ER16	2.60
	HSK100A-ER16-130	P2782014	0.5 - 10.0	130	28	M10	45	ER16	-
	HSK100A-ER16-160	P2782001	0.5 - 10.0	160	28	M10	45	ER16	-
	HSK100A-ER20-100	P2564015	0.5 - 13.0	100	35	M12	50	ER20	2.70
	HSK100A-ER25-100	P2564012	1.0 - 16.0	100	42	M12	57	ER25	2.90
	HSK100A-ER25-130	P2782015	1.0 - 16.0	130	42	M12	57	ER25	-
	HSK100A-ER25-160	P2782003	1.0 - 16.0	160	42	M12	57	ER25	-
	HSK100A-ER32-100	P2564013	1.0 - 20.0	100	50	M12	65	ER32	3.10
	HSK100A-ER32-130	P2782016	1.0 - 20.0	130	50	M12	65	ER32	-
	HSK100A-ER32-160	P2782017	1.0 - 20.0	160	50	M12	65	ER32	-
	HSK100A-ER40-120	P2564014	2.0 - 30.0	120	63	M12	69	ER40	3.30
HSK100A-ER40-160	P2782018	2.0 - 30.0	160	63	M12	69	ER40	-	

- ▶ Inch type products are available.
- ▶ For applicable ER collet, please refer to page D296~D304.
- ▶ For applicable ER nut, Sealing disk and Spanner, please refer to page D305~D309.

ER COLLET CHUCK

SPANN FUTTER-ER
MANDRIN À PINCES-ER
MANDRINO PORTA PINZE-ER
PORTAPINZAS-ER

HSK-E



Unit : mm

TAPER No.	MODEL No.	EDP No.	CLAMPING RANGE	L	D	H	NUT / COLLET	WEIGHT (Kg)
25E	HSK25E-ER11-40	P2774921	0.5 - 7.0	40	19	26.6	ER11	0.15
	HSK25E-ER16-50	P2774922	0.5 - 10.0	50	28	34.6	ER16	0.18
32E	HSK32E-ER11-50	P2774923	0.5 - 7.0	50	19	23.6	ER11	0.18
	HSK32E-ER16-60	P2774924	0.5 - 10.0	60	28	41.0	ER16	0.21
40E	HSK40E-ER11-60	P2774925	0.5 - 7.0	60	19	40.0	ER11	0.40
	HSK40E-ER16-60	P2774926	0.5 - 10.0	60	28	41.0	ER16	0.50
	HSK40E-ER20-70	P2774927	0.5 - 13.0	70	34	50.0	ER20	0.80

- ▶ Balancing grade G2.5 at 25,000RPM or U max. < 1gmm.



Unit : mm

TAPER No.	MODEL No.	EDP No.	CLAMPING RANGE	L	D	H	NUT / COLLET	WEIGHT (Kg)
25E	HSK25E-ER11-40	P2771935	0.5 - 7.0	40	19	26.6	ER11	0.16
	HSK25E-ER16-50	P2771936	0.5 - 10.0	50	28	34.6	ER16	0.16
32E	HSK32E-ER11-50	P2771918	0.5 - 7.0	50	19	23.6	ER11	0.18
	HSK32E-ER16-60	P2771919	0.5 - 10.0	60	28	41.0	ER16	0.21
40E	HSK40E-ER11-60	P2771920	0.5 - 7.0	60	19	40.0	ER11	0.40
	HSK40E-ER16-60	P2771921	0.5 - 10.0	60	28	41.0	ER16	0.50
	HSK40E-ER20-70	P2771922	0.5 - 13.0	70	34	50.0	ER20	0.80

- ▶ Inch type products are available.
- ▶ For applicable ER collet, please refer to page D296~D304.
- ▶ For applicable ER nut, Sealing disk and Spanner, please refer to page D305~D309.

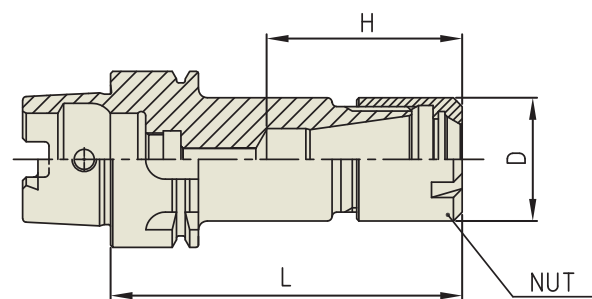
YG ER COLLET CHUCK

ER

ER COLLET CHUCK (SLIM)

SPANN FUTTER-ER
MANDRIN À PINCES-ER
MANDRINO PORTA PINZE-ER
PORTAPINZAS-ER

HSK-A



Unit : mm

TAPER No.	MODEL No.	EDP No.	CLAMPING RANGE	L	D	H	NUT / COLLET	WEIGHT (Kg)
32A	HSK32A-ER8M-40	P2774913	0.5 - 5.0	40	12	21.0	ER8M / ER8	0.18
	HSK32A-ER11M-40	P2774914	0.5 - 7.0	40	16	23.0	ER11M / ER11	0.18
	HSK32A-ER16M-60	P2774915	0.5 - 10.0	60	22	38.0	ER16M / ER16	0.21
	HSK32A-ER20M-60	P2774916	0.5 - 13.0	60	28	38.0	ER20M / ER20	0.21
40A	HSK40A-ER11M-75	P2774917	0.5 - 7.0	75	16	29.5	ER11M / ER11	0.40
	HSK40A-ER16M-80	P2774918	0.5 - 10.0	80	22	38.0	ER16M / ER16	0.50
	HSK40A-ER20M-80	P2774919	0.5 - 13.0	80	28	44.5	ER20M / ER20	0.70
	HSK40A-ER25M-80	P2774920	1.0 - 16.0	80	35	52.0	ER25M / ER25	0.80

▶ Balancing grade G2.5 at 25,000RPM or U max. < 1gmm.



Unit : mm

TAPER No.	MODEL No.	EDP No.	CLAMPING RANGE	L	D	H	NUT / COLLET	WEIGHT (Kg)
32A	HSK32A-ER8M-40	P2771910	0.5 - 5.0	40	12	21.0	ER8M / ER8	0.15
	HSK32A-ER11M-40	P2771911	0.5 - 7.0	40	16	23.0	ER11M / ER11	0.15
	HSK32A-ER16M-60	P2771912	0.5 - 10.0	60	22	38.0	ER16M / ER16	0.21
	HSK32A-ER20M-60	P2771913	0.5 - 13.0	60	28	39.5	ER20M / ER20	0.20
40A	HSK40A-ER11M-75	P2771914	0.5 - 7.0	75	16	29.5	ER11M / ER11	0.40
	HSK40A-ER16M-80	P2771915	0.5 - 10.0	80	22	38.0	ER16M / ER16	0.50
	HSK40A-ER20M-80	P2771916	0.5 - 13.0	80	28	44.5	ER20M / ER20	0.70
	HSK40A-ER25M-80	P2771917	1.0 - 16.0	80	35	52.0	ER25M / ER25	0.80

▶ Inch type products are available.
▶ For applicable ER collet, please refer to page D296~D304.
▶ For applicable ER nut, Sealing disk and Spanner, please refer to page D307 & D309.

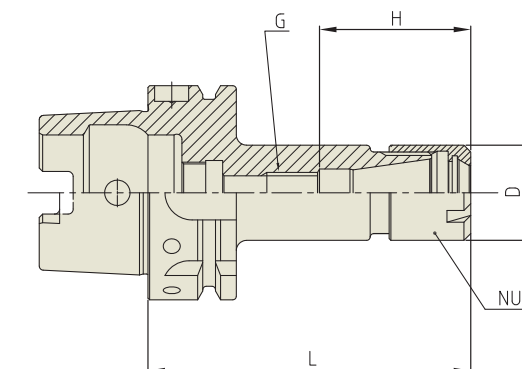
YG ER COLLET CHUCK

ER

ER COLLET CHUCK (SLIM)

SPANN FUTTER-ER
MANDRIN À PINCES-ER
MANDRINO PORTA PINZE-ER
PORTAPINZAS-ER

HSK-A



Unit : mm

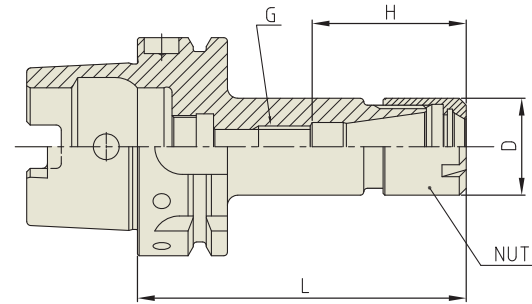
TAPER No.	MODEL No.	EDP No.	CLAMPING RANGE	L	D	G	H	NUT / COLLET	WEIGHT (Kg)
50A	HSK50A-ER11M-75	P2775002	0.5 ~ 7.0	75.00	16	M6	29.5	ER11M / ER11	0.30
	HSK50A-ER16M-85	P2775003	0.5 ~ 10.0	85.00	22	M10	38.0	ER16M / ER16	0.40
	HSK50A-ER20M-90	P2775004	0.5 ~ 13.0	90.00	28	M12	44.5	ER20M / ER20	0.80
	HSK50A-ER25M-105	P2775005	1.0 ~ 16.0	105.00	35	M12	52.0	ER25M / ER25	1.20
63A	HSK63A-ER11M-75	P2775006	0.5 ~ 7.0	75	16	M6	29.5	ER11M / ER11	0.80
	HSK63A-ER11M-100	P2774963	0.5 ~ 7.0	100	16	M6	29.5	ER11M / ER11	-
	HSK63A-ER11M-130	P2802758	0.5 ~ 7.0	130	16	M6	29.5	ER11M / ER11	-
	HSK63A-ER11M-160	P2802759	0.5 ~ 7.0	160	16	M6	29.5	ER11M / ER11	-
	HSK63A-ER16M-85	P2775007	0.5 ~ 10.0	85	22	M10	38.0	ER16M / ER16	1.00
	HSK63A-ER16M-100	P2802760	0.5 ~ 10.0	100	22	M10	38.0	ER16M / ER16	-
	HSK63A-ER16M-130	P2802761	0.5 ~ 10.0	130	22	M10	38.0	ER16M / ER16	-
	HSK63A-ER16M-160	P2802762	0.5 ~ 10.0	160	22	M10	38.0	ER16M / ER16	-
	HSK63A-ER20M-95	P2775008	0.5 ~ 13.0	95	28	M12	44.5	ER20M / ER20	1.20
	HSK63A-ER20M-130	P2802763	0.5 ~ 13.0	130	28	M12	44.5	ER20M / ER20	-
	HSK63A-ER20M-160	P2802764	0.5 ~ 13.0	160	28	M12	44.5	ER20M / ER20	-
	HSK63A-ER25M-105	P2775009	1.0 ~ 16.0	105	35	M12	52.0	ER25M / ER25	1.40
100A	HSK100A-ER11M-85	P2775010	0.5 ~ 7.0	85	16	M6	29.5	ER11M / ER11	2.40
	HSK100A-ER16M-95	P2775011	0.5 ~ 10.0	95	22	M10	38.0	ER16M / ER16	2.70
	HSK100A-ER20M-100	P2775012	0.5 ~ 13.0	100	28	M12	44.5	ER20M / ER20	3.00
	HSK100A-ER25M-120	P2775013	1.0 ~ 16.0	120	35	M12	52.0	ER25M / ER25	3.20

▶ Inch type products are available.
▶ Balancing grade G2.5 at 25,000RPM or U max. < 1gmm.
▶ For applicable ER collet, please refer to page D296~D304.
▶ For applicable ER nut, Sealing disk and Spanner, please refer to page D307 & D309.

ER COLLET CHUCK (SLIM)

SPANN FUTTER - ER
MANDRIN À PINCES - ER
MANDRINO PORTA PINZE - ER
PORTAPINZAS - ER

HSK-A



Unit : mm

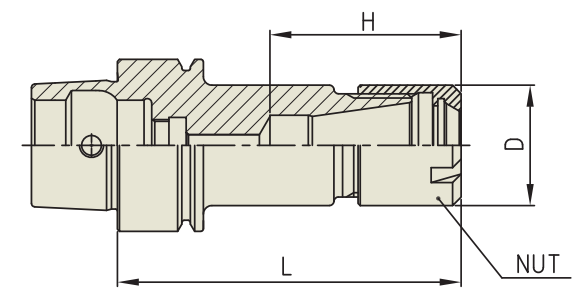
TAPER No.	MODEL No.	EDP No.	CLAMPING RANGE	L	D	G	H	NUT / COLLET	WEIGHT (Kg)
50A	HSK50A-ER11M-75	P2802501	0.5 - 7.0	75	16	M6	29.5	ER11M / ER11	0.30
	HSK50A-ER16M-85	P2802502	0.5 - 10.0	85	22	M10	38.0	ER16M / ER16	0.40
	HSK50A-ER20M-90	P2802503	0.5 - 13.0	90	28	M12	44.5	ER20M / ER20	0.80
	HSK50A-ER25M-105	P2802504	1.0 - 16.0	105	35	M12	52.0	ER25M / ER25	1.20
63A	HSK63A-ER11M-75	P2802505	0.5 - 7.0	75	16	M6	29.5	ER11M / ER11	0.80
	HSK63A-ER11M-100	P2771999	0.5 - 7.0	100	16	M6	29.5	ER11M / ER11	-
	HSK63A-ER11M-130	P2802767	0.5 - 7.0	130	16	M6	29.5	ER11M / ER11	-
	HSK63A-ER11M-160	P2802768	0.5 - 7.0	160	16	M6	29.5	ER11M / ER11	-
	HSK63A-ER16M-85	P2802506	0.5 - 10.0	85	22	M10	38.0	ER16M / ER16	1.00
	HSK63A-ER16M-100	P2802769	0.5 - 10.0	100	22	M10	38.0	ER16M / ER16	-
	HSK63A-ER16M-130	P2802770	0.5 - 10.0	130	22	M10	38.0	ER16M / ER16	-
	HSK63A-ER16M-160	P2802771	0.5 - 10.0	160	22	M10	38.0	ER16M / ER16	-
	HSK63A-ER20M-95	P2802507	0.5 - 13.0	95	28	M12	44.5	ER20M / ER20	1.20
	HSK63A-ER20M-130	P2802772	0.5 - 13.0	130	28	M12	44.5	ER20M / ER20	-
	HSK63A-ER20M-160	P2802773	0.5 - 13.0	160	28	M12	44.5	ER20M / ER20	-
	HSK63A-ER25M-105	P2802508	1.0 - 16.0	105	35	M12	52.0	ER25M / ER25	1.40
100A	HSK63A-ER25M-130	P2802774	1.0 - 16.0	130	35	M12	52.0	ER25M / ER25	-
	HSK63A-ER25M-160	P2802775	1.0 - 16.0	160	35	M12	52.0	ER25M / ER25	-
	HSK100A-ER11M-85	P2802509	0.5 - 7.0	85	16	M6	29.5	ER11M / ER11	2.40
	HSK100A-ER16M-95	P2802510	0.5 - 10.0	95	22	M10	38.0	ER16M / ER16	2.70
	HSK100A-ER20M-100	P2802511	0.5 - 13.0	100	28	M12	44.5	ER20M / ER20	3.00
	HSK100A-ER25M-120	P2802512	1.0 - 16.0	120	35	M12	52.0	ER25M / ER25	3.20

- ▶ Inch type products are available.
- ▶ For applicable ER collet, please refer to page D296~D304.
- ▶ For applicable ER nut, Sealing disk and Spanner, please refer to page D307 & D309.

ER COLLET CHUCK (SLIM)

SPANN FUTTER - ER
MANDRIN À PINCES - ER
MANDRINO PORTA PINZE - ER
PORTAPINZAS - ER

HSK-E



Unit : mm

TAPER No.	MODEL No.	EDP No.	CLAMPING RANGE	L	D	H	NUT / COLLET	WEIGHT (Kg)
25E	HSK25E-ER8M-35	P2774928	0.5 - 5.0	35	12	21.0	ER8M / ER8	0.15
	HSK25E-ER11M-40	P2774929	0.5 - 7.0	40	16	24.5	ER11M / ER11	0.18
32E	HSK32E-ER8M-40	P2774930	0.5 - 5.0	40	12	21.0	ER8M / ER8	0.15
	HSK32E-ER11M-40	P2774931	0.5 - 7.0	40	16	23.0	ER11M / ER11	0.18
	HSK32E-ER16M-60	P2774932	0.5 - 10.0	60	22	38.0	ER16M / ER16	0.21
40E	HSK32E-ER20M-60	P2774933	0.5 - 13.0	60	28	39.5	ER20M / ER20	0.21
	HSK40E-ER11M-75	P2774934	0.5 - 7.0	75	16	29.5	ER11M / ER11	0.40
	HSK40E-ER16M-80	P2774935	0.5 - 10.0	80	22	38.0	ER16M / ER16	0.50
	HSK40E-ER20M-80	P2774936	0.5 - 13.0	80	28	44.5	ER20M / ER20	0.70
	HSK40E-ER25M-80	P2774937	1.0 - 16.0	80	35	52.0	ER25M / ER25	0.80

▶ Balancing grade G2.5 at 25,000RPM or U max. < 1gmm.



Unit : mm

TAPER No.	MODEL No.	EDP No.	CLAMPING RANGE	L	D	H	NUT / COLLET	WEIGHT (Kg)
25E	HSK25E-ER8M-35	P2771937	0.5 - 5.0	35	12	21.0	ER8M / ER8	0.10
	HSK25E-ER11M-40	P2771938	0.5 - 7.0	40	16	24.5	ER11M / ER11	0.10
32E	HSK32E-ER8M-40	P2774948	0.5 - 5.0	40	12	21.0	ER8M / ER8	0.15
	HSK32E-ER11M-40	P2774949	0.5 - 7.0	40	16	23.0	ER11M / ER11	0.15
	HSK32E-ER16M-60	P2774950	0.5 - 10.0	60	22	38.0	ER16M / ER16	0.21
40E	HSK32E-ER20M-60	P2774951	0.5 - 13.0	60	28	39.5	ER20M / ER20	0.20
	HSK40E-ER11M-75	P2771904	0.5 - 7.0	75	16	29.5	ER11M / ER11	0.40
	HSK40E-ER16M-80	P2771905	0.5 - 10.0	80	22	38.0	ER16M / ER16	0.50
	HSK40E-ER20M-80	P2771906	0.5 - 13.0	80	28	44.5	ER20M / ER20	0.70
	HSK40E-ER25M-80	P2771907	1.0 - 16.0	80	35	52.0	ER25M / ER25	0.80

- ▶ Inch type products are available.
- ▶ For applicable ER collet, please refer to page D296~D304.
- ▶ For applicable ER nut, Sealing disk and Spanner, please refer to page D307 & D309.

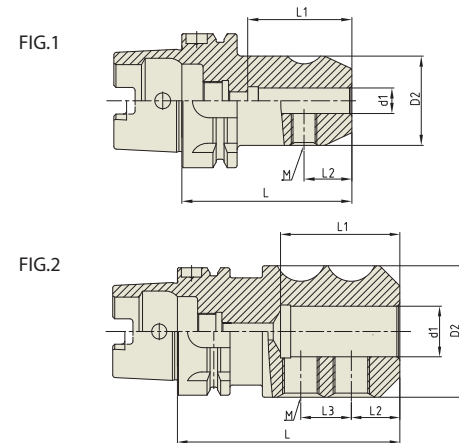


EMH

END MILL HOLDER

FRÄSERFUTTER UND FLÄCHENSPANNFUTTER
 MANDRIN PORTE FRAISE À QUEUE CYLINDRIQUE, À MÉPLAT
 MANDRINI PORTA FRESA TIPO WELDON
 PORTAFRESAS Y EJES DE SUJECCION LATERAL

HSK-A



TAPER No.	MODEL No.	EDP No.	d1	D2	L	L1	L2	L3	M	FIG.	WEIGHT (Kg)	
40A	HSK40A-EMH6-60	P2775522	6	25	60	38	18	-	M6	1	0.30	
	HSK40A-EMH8-60	P2775523	8	28	60	38	18	-	M8	1	0.30	
	HSK40A-EMH10-60	P2775524	10	35	60	42	20	-	M10	1	0.30	
	HSK40A-EMH12-70	P2775525	12	42	70	47	22.5	-	M12	1	0.40	
	HSK40A-EMH14-70	P2775526	14	44	70	47	22.5	-	M12	1	0.40	
	HSK40A-EMH16-80	P2775527	16	48	80	50	24	-	M14	1	0.60	
50A	HSK50A-EMH6-65	P2775528	6	25	65	38	18	-	M6	1	0.70	
	HSK50A-EMH8-65	P2775529	8	28	65	38	18	-	M8	1	0.80	
	HSK50A-EMH10-65	P2775530	10	35	65	42	20	-	M10	1	0.80	
	HSK50A-EMH12-80	P2775531	12	42	80	47	22.5	-	M12	1	1.20	
	HSK50A-EMH14-80	P2775532	14	44	80	47	22.5	-	M12	1	1.30	
	HSK50A-EMH16-80	P2775533	16	48	80	50	24	-	M14	1	1.30	
	HSK50A-EMH18-80	P2775534	18	50	80	50	24	-	M14	1	1.40	
	HSK50A-EMH20-80	P2775535	20	52	80	52	25	-	M16	1	1.50	
	63A	HSK63A-EMH6-65	P2775501	6	25	65	35	18	-	M6	1	0.80
		HSK63A-EMH8-65	P2775502	8	28	65	38	18	-	M8	1	0.80
HSK63A-EMH10-65		P2775503	10	35	65	42	20	-	M10	1	0.90	
HSK63A-EMH12-80		P2775504	12	42	80	47	22.5	-	M12	1	1.10	
HSK63A-EMH14-80		P2775505	14	44	80	47	22.5	-	M12	1	1.20	
HSK63A-EMH16-80		P2775506	16	48	80	50	24	-	M14	1	1.30	
HSK63A-EMH18-80		P2775507	18	50	80	50	24	-	M14	1	1.40	
HSK63A-EMH20-80		P2775508	20	52	80	52	25	-	M16	1	1.50	
HSK63A-EMH25-110		P2775509	25	65	110	60	24	25	M18	2	2.30	
HSK63A-EMH32-110		P2775510	32	72	110	64	24	28	M20	2	2.60	
100A	HSK100A-EMH6-80	P2775511	6	25	80	35	18	-	M6	1	0.80	
	HSK100A-EMH8-80	P2775512	8	28	80	35	18	-	M8	1	0.80	
	HSK100A-EMH10-80	P2775513	10	35	80	39	20	-	M10	1	0.90	
	HSK100A-EMH12-80	P2775514	12	42	80	47	22.5	-	M12	1	1.10	
	HSK100A-EMH14-80	P2775515	14	44	80	47	22.5	-	M12	1	1.20	
	HSK100A-EMH16-100	P2775516	16	48	100	50	24	-	M14	1	1.30	
	HSK100A-EMH18-100	P2775517	18	50	100	50	24	-	M14	1	1.40	
	HSK100A-EMH20-100	P2775518	20	52	100	52	25	-	M16	1	1.50	
	HSK100A-EMH25-100	P2775519	25	65	100	60	24	25	M18	2	2.30	
	HSK100A-EMH32-100	P2775520	32	72	100	64	24	28	M20	2	2.60	
HSK100A-EMH40-120	P2775521	40	80	120	74	30	32	M20	2	2.60		

- ▶ Inch type products are available.
- ▶ Standard End Mill Holder is for a cutting tool with weldon shank and End Mill Holder for a cutting tool with Whistle notch is available upon request.
- ▶ Combi-style Holder with ball jointed clamping screw which can be used with cutting tools with Weldon and Whistle notch shank is available.
- ▶ Balancing grade G2.5 at 25,000RPM or U max. < 1gmm.

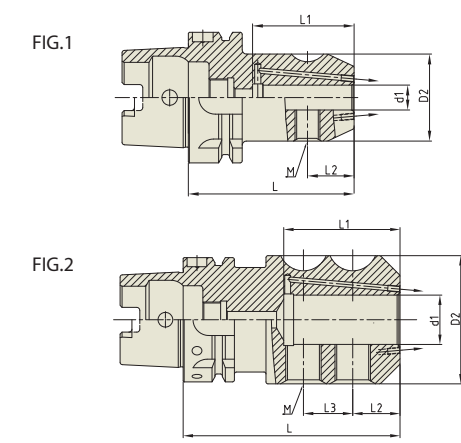


EMH

END MILL HOLDER (COOLANT CHANNEL)

FRÄSERFUTTER UND FLÄCHENSPANNFUTTER
 MANDRIN PORTE FRAISE À QUEUE CYLINDRIQUE, À MÉPLAT
 MANDRINI PORTA FRESA TIPO WELDON
 PORTAFRESAS Y EJES DE SUJECCION LATERAL

HSK-A



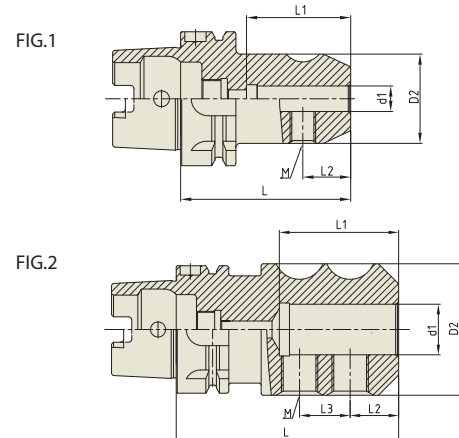
TAPER No.	MODEL No.	EDP No.	d1	D2	L	L1	L2	L3	M	FIG.	WEIGHT (Kg)	
40A	HSK40A-EMH6C-60	P2777222	6	25	60	38	18	-	M6	1	0.30	
	HSK40A-EMH8C-60	P2777223	8	28	60	38	18	-	M8	1	0.30	
	HSK40A-EMH10C-60	P2777224	10	35	60	42	20	-	M10	1	0.30	
	HSK40A-EMH12C-70	P2777225	12	42	70	47	22.5	-	M12	1	0.40	
	HSK40A-EMH14C-70	P2777226	14	44	70	47	22.5	-	M12	1	0.40	
	HSK40A-EMH16C-80	P2777227	16	48	80	50	24	-	M14	1	0.60	
50A	HSK50A-EMH6C-65	P2777228	6	25	65	38	18	-	M6	1	0.70	
	HSK50A-EMH8C-65	P2777229	8	28	65	38	18	-	M8	1	0.80	
	HSK50A-EMH10C-65	P2777230	10	35	65	42	20	-	M10	1	0.80	
	HSK50A-EMH12C-80	P2777231	12	42	80	47	22.5	-	M12	1	1.20	
	HSK50A-EMH14C-80	P2777232	14	44	80	47	22.5	-	M12	1	1.30	
	HSK50A-EMH16C-80	P2777233	16	48	80	50	24	-	M14	1	1.30	
	HSK50A-EMH18C-80	P2777234	18	50	80	50	24	-	M14	1	1.40	
	HSK50A-EMH20C-80	P2777235	20	52	80	52	25	-	M16	1	1.50	
	63A	HSK63A-EMH6C-65	P2777201	6	25	65	35	18	-	M6	1	0.80
		HSK63A-EMH8C-65	P2777202	8	28	65	40	18	-	M8	1	0.80
HSK63A-EMH10C-65		P2777203	10	35	65	40.5	20	-	M10	1	0.90	
HSK63A-EMH12C-80		P2777204	12	42	80	49	22.5	-	M12	1	1.10	
HSK63A-EMH14C-80		P2777206	14	44	80	49	22.5	-	M12	1	1.20	
HSK63A-EMH16C-80		P2777205	16	48	80	52	24	-	M14	1	1.30	
HSK63A-EMH18C-80		P2777207	18	50	80	52	24	-	M14	1	1.40	
HSK63A-EMH20C-80		P2777208	20	52	80	53	25	-	M16	1	1.50	
HSK63A-EMH25C-110		P2777209	25	65	110	59	24	25	M18	2	2.30	
HSK63A-EMH32C-110		P2777210	32	72	110	63	24	28	M20	2	2.60	
100A	HSK100A-EMH6C-80	P2777211	6	25	80	35	18	-	M6	1	0.80	
	HSK100A-EMH8C-80	P2777212	8	28	80	35	18	-	M8	1	0.80	
	HSK100A-EMH10C-80	P2777213	10	35	80	35.5	20	-	M10	1	0.90	
	HSK100A-EMH12C-80	P2777214	12	42	80	49	22.5	-	M12	1	1.10	
	HSK100A-EMH14C-80	P2777215	14	44	80	49	22.5	-	M12	1	1.20	
	HSK100A-EMH16C-100	P2777216	16	48	100	52	24	-	M14	1	1.30	
	HSK100A-EMH18C-100	P2777217	18	50	100	52	24	-	M14	1	1.40	
	HSK100A-EMH20C-100	P2777218	20	52	100	53	25	-	M16	1	1.50	
	HSK100A-EMH25C-100	P2777219	25	65	100	59	24	25	M18	2	2.30	
	HSK100A-EMH32C-100	P2777220	32	72	100	63	24	28	M20	2	2.60	
HSK100A-EMH40C-120	P2777221	40	80	120	73	30	32	M20	2	2.60		

- ▶ Inch type products are available.
- ▶ Standard End Mill Holder is for a cutting tool with weldon shank and End Mill Holder for a cutting tool with Whistle notch is available upon request.
- ▶ Combi-style Holder with ball jointed clamping screw which can be used with cutting tools with Weldon and Whistle notch shank is available.
- ▶ Balancing grade G2.5 at 25,000RPM or U max. < 1gmm.

END MILL HOLDER

FRÄSERFUTTER UND FLÄCHENSPANNFUTTER
 MANDRIN PORTE FRAISE À QUEUE CYLINDRIQUE, À MÉPLAT
 MANDRINI PORTA FRESA TIPO WELDON
 PORTAFRESAS Y EJES DE SUJECCION LATERAL

HSK-A



Unit : mm

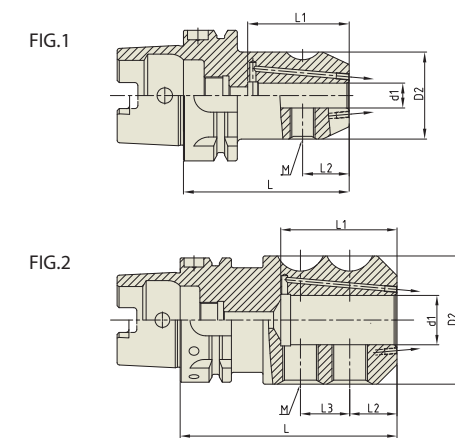
TAPER No.	MODEL No.	EDP No.	d1	D2	L	L1	L2	L3	M	FIG.	WEIGHT (Kg)
40A	HSK40A-EMH6-60	P2563011	6	25	60	38	18	-	M6	1	0.30
	HSK40A-EMH8-60	P2563012	8	28	60	38	18	-	M8	1	0.30
	HSK40A-EMH10-60	P2563013	10	35	60	42	20	-	M10	1	0.30
	HSK40A-EMH12-70	P2563014	12	42	70	47	22.5	-	M12	1	0.40
	HSK40A-EMH14-70	P2563015	14	44	70	47	22.5	-	M12	1	0.40
	HSK40A-EMH16-80	P2563016	16	48	80	50	24	-	M14	1	0.60
50A	HSK50A-EMH6-65	P2563017	6	25	65	38	18	-	M6	1	0.70
	HSK50A-EMH8-65	P2563018	8	28	65	38	18	-	M8	1	0.80
	HSK50A-EMH10-65	P2563019	10	35	65	42	20	-	M10	1	0.80
	HSK50A-EMH12-80	P2563020	12	42	80	47	22.5	-	M12	1	1.20
	HSK50A-EMH14-80	P2563031	14	44	80	47	22.5	-	M12	1	1.30
	HSK50A-EMH16-80	P2563032	16	48	80	50	24	-	M14	1	1.30
	HSK50A-EMH18-80	P2563033	18	50	80	50	24	-	M14	1	1.40
	HSK50A-EMH20-80	P2563034	20	52	80	52	25	-	M16	1	1.50
63A	HSK63A-EMH6-65	P2563001	6	25	65	35	18	-	M6	1	0.80
	HSK63A-EMH8-65	P2563002	8	28	65	38	18	-	M8	1	0.80
	HSK63A-EMH10-65	P2563003	10	35	65	42	20	-	M10	1	0.90
	HSK63A-EMH12-80	P2563004	12	42	80	47	22.5	-	M12	1	1.10
	HSK63A-EMH14-80	P2563005	14	44	80	47	22.5	-	M12	1	1.20
	HSK63A-EMH16-80	P2563006	16	48	80	50	24	-	M14	1	1.30
	HSK63A-EMH18-80	P2563007	18	50	80	50	24	-	M14	1	1.40
	HSK63A-EMH20-80	P2563008	20	52	80	52	25	-	M16	1	1.50
	HSK63A-EMH25-110	P2563009	25	65	110	60	24	25	M18	2	2.30
	HSK63A-EMH32-110	P2563010	32	72	110	64	24	28	M20	2	2.60
100A	HSK100A-EMH6-80	P2563041	6	25	80	35	18	-	M6	1	0.80
	HSK100A-EMH8-80	P2563042	8	28	80	35	18	-	M8	1	0.80
	HSK100A-EMH10-80	P2563043	10	35	80	39	20	-	M10	1	0.90
	HSK100A-EMH12-80	P2563044	12	42	80	47	22.5	-	M12	1	1.10
	HSK100A-EMH14-80	P2563045	14	44	80	47	22.5	-	M12	1	1.20
	HSK100A-EMH16-100	P2563046	16	48	100	50	24	-	M14	1	1.30
	HSK100A-EMH18-100	P2563047	18	50	100	50	24	-	M14	1	1.40
	HSK100A-EMH20-100	P2563048	20	52	100	52	25	-	M16	1	1.50
	HSK100A-EMH25-100	P2563049	25	65	100	60	24	25	M18	2	2.30
	HSK100A-EMH32-100	P2563050	32	72	100	64	24	28	M20	2	2.60
	HSK100A-EMH40-120	P2563051	40	80	120	74	30	32	M20	2	2.60

► Inch type products are available.
 ► Standard End Mill Holder is for a cutting tool with weldon shank and End Mill Holder for a cutting tool with Whistle notch is available upon request.
 ► Combi-style Holder with ball jointed clamping screw which can be used with cutting tools with Weldon and Whistle notch shank is available.

END MILL HOLDER (COOLANT CHANNEL)

FRÄSERFUTTER UND FLÄCHENSPANNFUTTER
 MANDRIN PORTE FRAISE À QUEUE CYLINDRIQUE, À MÉPLAT
 MANDRINI PORTA FRESA TIPO WELDON
 PORTAFRESAS Y EJES DE SUJECCION LATERAL

HSK-A



Unit : mm

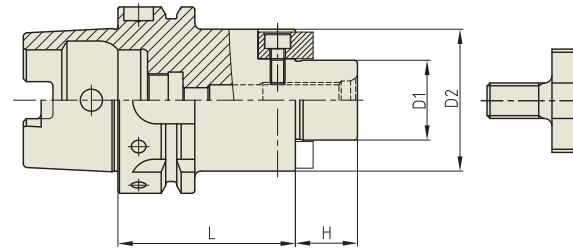
TAPER No.	MODEL No.	EDP No.	d1	D2	L	L1	L2	L3	M	FIG.	WEIGHT (Kg)	
40A	HSK40A-EMH6C-60	P2563061	6	25	60	38	18	-	M6	1	0.30	
	HSK40A-EMH8C-60	P2563062	8	28	60	38	18	-	M8	1	0.30	
	HSK40A-EMH10C-60	P2563063	10	35	60	42	20	-	M10	1	0.30	
	HSK40A-EMH12C-70	P2563064	12	42	70	47	22.5	-	M12	1	0.40	
	HSK40A-EMH14C-70	P2563065	14	44	70	47	22.5	-	M12	1	0.40	
	HSK40A-EMH16C-80	P2563066	16	48	80	50	24	-	M14	1	0.60	
50A	HSK50A-EMH6C-65	P2563067	6	25	65	38	18	-	M6	1	0.70	
	HSK50A-EMH8C-65	P2563068	8	28	65	38	18	-	M8	1	0.80	
	HSK50A-EMH10C-65	P2563069	10	35	65	42	20	-	M10	1	0.80	
	HSK50A-EMH12C-80	P2563070	12	42	80	47	22.5	-	M12	1	1.20	
	HSK50A-EMH14C-80	P2563071	14	44	80	47	22.5	-	M12	1	1.30	
	HSK50A-EMH16C-80	P2563072	16	48	80	50	24	-	M14	1	1.30	
	HSK50A-EMH18C-80	P2563073	18	50	80	50	24	-	M14	1	1.40	
	HSK50A-EMH20C-80	P2563074	20	52	80	52	25	-	M16	1	1.50	
	63A	HSK63A-EMH6C-65	P2563021	6	25	65	35	18	-	M6	1	0.80
		HSK63A-EMH8C-65	P2563022	8	28	65	38	18	-	M8	1	0.80
HSK63A-EMH10C-65		P2563023	10	35	65	42	20	-	M10	1	0.90	
HSK63A-EMH12C-80		P2563024	12	42	80	47	22.5	-	M12	1	1.10	
HSK63A-EMH14C-80		P2563025	14	44	80	47	22.5	-	M12	1	1.20	
HSK63A-EMH16C-80		P2563026	16	48	80	50	24	-	M14	1	1.30	
HSK63A-EMH18C-80		P2563027	18	50	80	50	24	-	M14	1	1.40	
HSK63A-EMH20C-80		P2563028	20	52	80	52	25	-	M16	1	1.50	
HSK63A-EMH25C-110		P2563029	25	65	110	60	24	25	M18	2	2.30	
HSK63A-EMH32C-110		P2563030	32	72	110	64	24	28	M20	2	2.60	
100A	HSK100A-EMH6C-80	P2563059	6	25	80	35	18	-	M6	1	0.80	
	HSK100A-EMH8C-80	P2563060	8	28	80	35	18	-	M8	1	0.80	
	HSK100A-EMH10C-80	P2563052	10	35	80	35.5	20	-	M10	1	0.90	
	HSK100A-EMH12C-80	P2563053	12	42	80	49	22.5	-	M12	1	1.10	
	HSK100A-EMH14C-80	P2563054	14	44	80	49	22.5	-	M12	1	1.20	
	HSK100A-EMH16C-100	P2563055	16	48	100	52	24	-	M14	1	1.30	
	HSK100A-EMH18C-100	P2563056	18	50	100	52	24	-	M14	1	1.40	
	HSK100A-EMH20C-100	P2563057	20	52	100	53	25	-	M16	1	1.50	
	HSK100A-EMH25C-100	P2563058	25	65	100	59	24	25	M18	2	2.30	
	HSK100A-EMH32C-100	P2772801	32	72	100	63	24	28	M20	2	2.60	
	HSK100A-EMH40C-120	P2772802	40	80	120	73	30	32	M20	2	2.60	

► Inch type products are available.
 ► Standard End Mill Holder is for a cutting tool with weldon shank and End Mill Holder for a cutting tool with Whistle notch is available upon request.
 ► Combi-style Holder with ball jointed clamping screw which can be used with cutting tools with Weldon and Whistle notch shank is available.

SHELL MILL ARBOR

AUFNAHMEDORN FÜR FRÄSER MIT BOHRUNG
MANDRIN PORTE-FRAISES
MANDRINO CON TRASCINAMENTO FISSO
PORTA FRESAS

HSK-A



Unit : mm

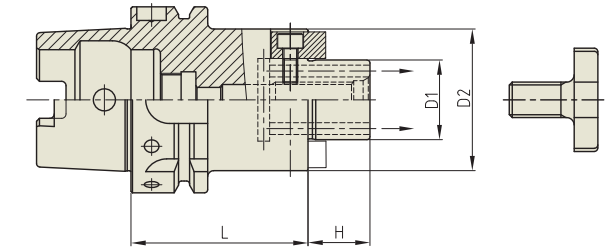
TAPER No.	MODEL No.	EDP No.	D1	D2	L	H	BOLT	WEIGHT (Kg)
40A	HSK40A-SMA16-50	P2778201	16	32	50	17	M8x16L	0.40
	HSK40A-SMA22-50	P2778202	22	40	50	19	M10x18L	0.50
	HSK40A-SMA27-60	P2778203	27	48	60	21	M12x22L	0.60
50A	HSK50A-SMA16-50	P2778204	16	32	50	17	M8x16L	0.50
	HSK50A-SMA22-60	P2778205	22	40	60	19	M10x18L	0.57
	HSK50A-SMA27-60	P2778206	27	48	60	21	M12x22L	0.75
63A	HSK50A-SMA32-60	P2778207	32	58	60	24	M16x26L	0.90
	HSK63A-SMA16-50	P2566001	16	32	50	17	M8x16L	0.81
	HSK63A-SMA22-50	P2566002	22	40	50	19	M10x18L	0.93
63A	HSK63A-SMA27-60	P2566003	27	48	60	21	M12x22L	1.22
	HSK63A-SMA32-60	P2566004	32	58	60	24	M16x26L	1.46
	HSK63A-SMA40-60	P2566005	40	70	60	27	M20x30L	1.80
100A	HSK100A-SMA16-50	P2566011	16	32	50	17	M8x16L	2.14
	HSK100A-SMA22-50	P2566012	22	40	50	19	M10x18L	2.25
	HSK100A-SMA27-50	P2566013	27	48	50	21	M12x22L	2.40
	HSK100A-SMA32-50	P2566014	32	58	50	24	M16x26L	2.60
	HSK100A-SMA40-60	P2566015	40	70	60	27	M20x30L	3.25
	HSK100A-SMA50-70	P2778209	50	90	70	30	M24x36L	5.40

- ▶ Inch type products are available.
- ▶ For parts, please refer to page D311.

SHELL MILL ARBOR (COOLANT CHANNEL & SMALL FACE)

AUFNAHMEDORN FÜR FRÄSER MIT BOHRUNG
MANDRIN PORTE-FRAISES
MANDRINO CON TRASCINAMENTO FISSO
PORTA FRESAS

HSK-A



Unit : mm

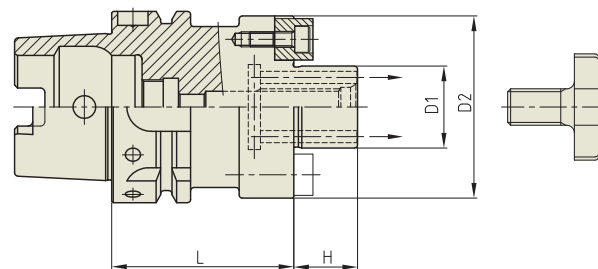
TAPER No.	MODEL No.	EDP No.	D1	D2	L	H	BOLT	WEIGHT (Kg)	
63A	HSK63A-SMA16C-50	P2566001C	16	32	50	17	M8x16L	0.80	
	HSK63A-SMA22C-50	P2566002C	22	40	50	19	M10x18L	0.92	
	HSK63A-SMA22C-100	P2801101C	22	40	100	19	M10x18L	1.40	
	HSK63A-SMA22C-160	P2803202C	22	40	160	19	M10x18L	1.97	
	HSK63A-SMA27C-60	P2566003C	27	48	60	21	M12x22L	1.19	
	HSK63A-SMA27C-100	P2801102C	27	48	100	21	M12x22L	1.74	
	HSK63A-SMA27C-160	P2803204C	27	48	160	21	M12x22L	2.55	
	HSK63A-SMA32C-60	P2566004C	32	58	60	24	M16x26L	1.50	
	HSK63A-SMA32C-100	P2801103C	32	58	100	24	M16x26L	2.72	
	HSK63A-SMA40C-60	P2566005C	40	70	60	27	M20x30L	1.66	
	100A	HSK100A-SMA16C-50	P2566011C	16	32	50	17	M8x16L	2.25
		HSK100A-SMA22C-50	P2566012C	22	40	50	19	M10x18L	2.25
HSK100A-SMA22C-100		P2801105C	22	40	100	19	M10x18L	2.72	
HSK100A-SMA22C-160		P2803206C	22	40	160	19	M10x18L	3.28	
HSK100A-SMA27C-50		P2566013C	27	48	50	21	M12x22L	2.40	
HSK100A-SMA27C-100		P2801106C	27	48	100	21	M12x22L	3.12	
HSK100A-SMA27C-160		P2803207C	27	48	160	21	M12x22L	4.01	
HSK100A-SMA32C-50		P2566014C	32	58	50	24	M16x26L	2.55	
HSK100A-SMA32C-100		P2801107C	32	58	100	24	M16x26L	3.49	
HSK100A-SMA32C-160		P2803208C	32	58	160	24	M16x26L	4.66	
HSK100A-SMA40C-60		P2566015C	40	70	60	27	M20x30L	3.10	
HSK100A-SMA40C-100		P2801108C	40	70	100	27	M20x30L	4.19	
HSK100A-SMA40C-160	P2803209C	40	70	160	27	M20x30L	5.88		

- ▶ Inch type products are available.
- ▶ With "Coolant Through" by coolant channels.
- ▶ For parts, please refer to page D311.

SHELL MILL ARBOR (COOLANT CHANNEL & LARGE FACE)

AUFNAHMEDORN FÜR FRÄSER MIT BOHRUNG
 MANDRIN PORTE-FRAISES
 MANDRINO CON TRASCINAMENTO FISSO
 PORTA FRESAS

HSK-A



Unit : mm

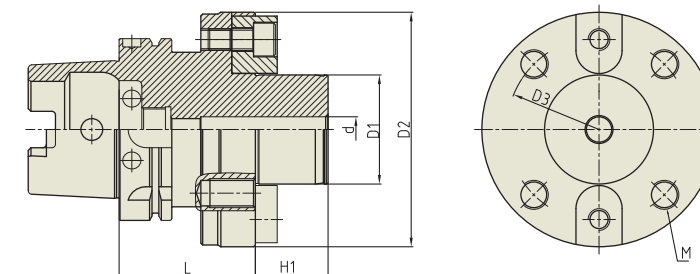
TAPER No.	MODEL No.	EDP No.	D1	D2	L	H	BOLT	WEIGHT (Kg)
63A	HSK63A-SMA16CE-50	P2803301CE	16	38	50	17	M8x16L	0.86
	HSK63A-SMA16CE-100	P2803302CE	16	38	100	17	M8x16L	1.29
	HSK63A-SMA16CE-145	P2803303CE	16	38	145	17	M8x16L	1.68
	HSK63A-SMA22CE-50	P2803304CE	22	48	50	19	M10x18L	1.02
	HSK63A-SMA22CE-100	P2803305CE	22	48	100	19	M10x18L	1.71
	HSK63A-SMA22CE-160	P2803306CE	22	48	160	19	M10x18L	2.54
	HSK63A-SMA27CE-60	P2803307CE	27	60	60	21	M12x22L	1.39
	HSK63A-SMA27CE-100	P2803308CE	27	60	100	21	M12x22L	2.25
	HSK63A-SMA27CE-160	P2803309CE	27	60	160	21	M12x22L	3.54
	HSK63A-SMA32CE-60	P2803310CE	32	78	60	24	M16x26L	1.70
	HSK63A-SMA32CE-100	P2803311CE	32	78	100	24	M16x26L	3.40
HSK63A-SMA40CE-60	P2803312CE	40	89	60	27	M20x30L	1.99	
100A	HSK100A-SMA16CE-100	P2803313CE	16	38	100	17	M8x16L	2.63
	HSK100A-SMA22CE-50	P2803314CE	22	48	50	19	M10x18L	2.34
	HSK100A-SMA22CE-100	P2803315CE	22	48	100	19	M10x18L	3.02
	HSK100A-SMA22CE-160	P2803316CE	22	48	160	19	M10x18L	3.85
	HSK100A-SMA27CE-50	P2803317CE	27	60	50	21	M12x22L	2.54
	HSK100A-SMA27CE-100	P2803318CE	27	60	100	21	M12x22L	3.60
	HSK100A-SMA27CE-160	P2803319CE	27	60	160	21	M12x22L	4.90
	HSK100A-SMA32CE-50	P2803320CE	32	78	50	24	M16x26L	2.90
	HSK100A-SMA32CE-100	P2803321CE	32	78	100	24	M16x26L	4.68
	HSK100A-SMA32CE-160	P2803322CE	32	78	160	24	M16x26L	6.86
	HSK100A-SMA40CE-60	P2803323CE	40	89	60	27	M20x30L	3.68
	HSK100A-SMA40CE-100	P2803324CE	40	89	100	27	M20x30L	5.51
	HSK100A-SMA40CE-160	P2803325CE	40	89	160	27	M20x30L	8.32

- ▶ Inch type products are available.
- ▶ With "Coolant Through" by coolant channels.
- ▶ For parts, please refer to page D311.

SHELL MILL ARBOR (FLANGE MOUNTING)

AUFNAHMEDORN FÜR FRÄSER MIT BOHRUNG
 MANDRIN PORTE-FRAISES
 MANDRINO CON TRASCINAMENTO FISSO
 PORTA FRESAS

HSK-A



Unit : mm

TAPER No.	MODEL No.	EDP No.	d	D1	D2	D3	L	H1	M (TAP)	DRIVE KEY & BOLT	WEIGHT (Kg)
100A	HSK100A-SMF60-75	P2524025	14	60	129	101.6	75	40	4-M16	25.4 x 25.4 x 31.5, M12-25L	-

- ▶ Inch type products are available.

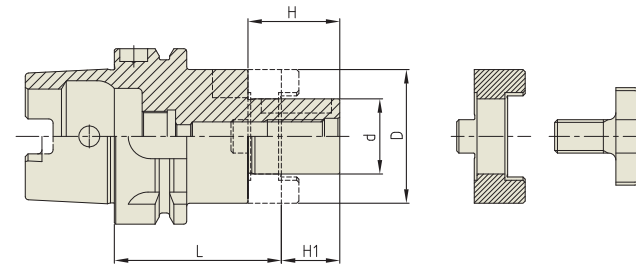
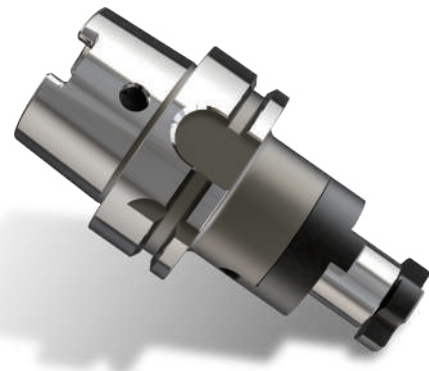
YIG COMBI-SHELL MILL ARBOR

CMA

COMBI-SHELL MILL ARBOR

KOMBI-AUFNAHMEDORN FÜR FRÄSER MIT BOHRUNG
MANDRIN PORTE-FRAISES COMBINÉS
MANDRINO PORTA FRESE
PORTA FRESAS COMBINADO

HSK-A



TAPER No.	MODEL No.	EDP No.	d	L	D	H1	H	WEIGHT (Kg)
50A	HSK50A-CMA16-50	P2562006	16	50	32	17	27	0.56
	HSK50A-CMA22-50	P2562007	22	50	40	19	31	0.66
	HSK50A-CMA27-65	P2562008	27	65	48	21	33	0.96
	HSK50A-CMA32-65	P2562009	32	65	58	24	38	1.15
63A	HSK63A-CMA16-60	P2562001	16	60	32	17	27	0.88
	HSK63A-CMA22-60	P2562002	22	60	40	19	31	1.02
	HSK63A-CMA27-60	P2562003	27	60	48	21	33	1.20
	HSK63A-CMA32-60	P2562004	32	60	53	24	38	1.43
	HSK63A-CMA40-70	P2562005	40	70	70	27	41	1.93
100A	HSK100A-CMA16-60	P2562011	16	60	32	17	27	2.22
	HSK100A-CMA22-60	P2562012	22	60	40	19	31	2.34
	HSK100A-CMA27-60	P2562013	27	60	48	21	33	2.56
	HSK100A-CMA32-60	P2562014	32	60	58	24	38	2.69
	HSK100A-CMA40-70	P2562015	40	70	70	27	41	3.39
	HSK100A-CMA50-80	P2562010	50	80	90	30	46	4.50

- ▶ Inch type products are available.
- ▶ For parts, please refer to page D312.

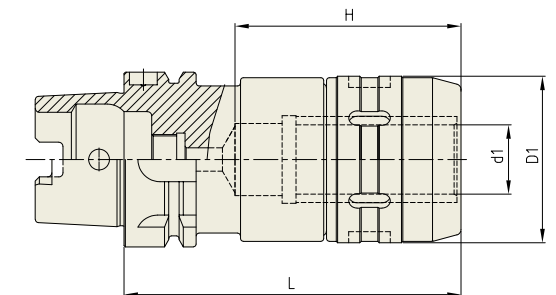
YIG POWER MILLING CHUCK

C

HIGH-SPEED POWER MILLING CHUCK

HOCHGESCHWINDIGKEITS FRÄSERFUTTER
MANDRIN PORTE FRAISE À GRANDE VITESSE
MANDRINI PORTA FRESE PER ALTA VELOCITÀ
PORTAHERRAMIENTAS PARA FRESADO DE ALTA VELOCIDAD

HSK-A



TAPER No.	MODEL No.	EDP No.	d1	D1	L	H	WEIGHT (Kg)
50A	HSK50A-C20-100HS	P2773102	20	54	100	70	1.30
63A	HSK63A-C20-105HS	P2562016	20	54	105	70	1.50
	HSK63A-C25-120HS	P2773103	25	62	120	80	2.20
	HSK63A-C32-130HS	P2562017	32	72	130	100	2.70
100A	HSK100A-C20-110HS	P2773104	20	54	110	70	3.50
	HSK100A-C25-130HS	P2773105	25	62	130	80	3.80
	HSK100A-C32-135HS	P2773101	32	72	135	100	4.20
	HSK100A-C42-135HS	P2773106	42	72	135	100	5.30

- ▶ Inch type products are available.
- ▶ Balancing Grade is adjusted on Basic holder only without Clamping Cap.
- ▶ For applicable collet and spanner, please refer to the page D314.

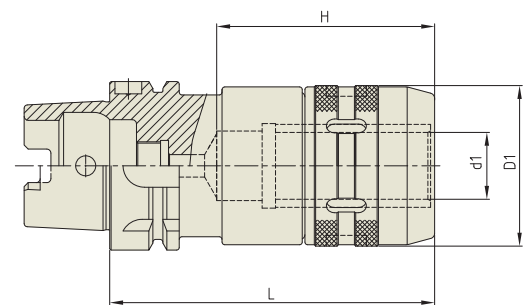
YG POWER MILLING CHUCK

C

POWER MILLING CHUCK

FRÄSERSPANNFUTTER
MANDRIN PORTE FRAISE
MANDRINI PORTA FRESA
PORTAHERRAMIENTAS PARA FRESADO

HSK-A



Unit : mm

TAPER No.	MODEL No.	EDP No.	d1	D1	L	H	WEIGHT (Kg)
50A	HSK50A-C20-100	P2773151	20	54	100	70	1.30
63A	HSK63A-C20-105	P2773152	20	54	105	70	1.50
	HSK63A-C32-130	P2600032	32	72	130	100	2.70
100A	HSK100A-C20-110	P2773153	20	54	110	70	3.50
	HSK100A-C32-135	P2773154	32	72	135	100	4.20
	HSK100A-C42-135	P2773155	42	92	135	100	5.30

► Inch type products are available.
► For applicable collet and spanner, please refer to the page D314.

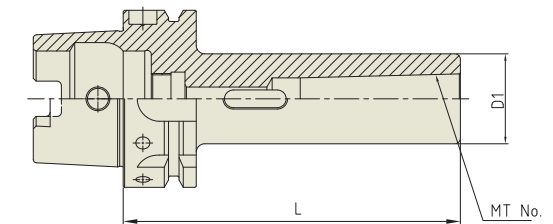
YG MORSE TAPER ARBOR

MTA

MORSE TAPER ARBOR

EINSATZHÜLSEN FÜR MORSEEGEL
DOUILLES DE RÉDUCTION CÔNE MORSE
MANDRINO RIDUZIONE CONO MORSE
REDUCTORES A MORSE

HSK-A



Unit : mm

TAPER No.	MODEL No.	EDP No.	MT No.	D1	L	WEIGHT (Kg)
50A	HSK50A-MTA1-100	P2565005	1	25	100	0.67
	HSK50A-MTA2-120	P2565006	2	32	120	0.78
	HSK50A-MTA3-140	P2565007	3	40	140	0.91
63A	HSK63A-MTA1-100	P2565001	1	25	100	0.87
	HSK63A-MTA2-120	P2565002	2	32	120	1.28
	HSK63A-MTA3-140	P2565003	3	40	140	1.44
	HSK63A-MTA4-160	P2565004	4	48	160	1.86
100A	HSK100A-MTA1-110	P2565011	1	25	110	2.12
	HSK100A-MTA2-120	P2565012	2	32	120	2.41
	HSK100A-MTA3-150	P2565013	3	40	150	2.82
	HSK100A-MTA4-170	P2565014	4	48	170	3.63
	HSK100A-MTA5-200	P2565015	5	63	200	4.80

► Inch type products are available.

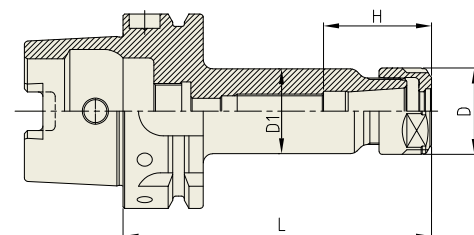


SKA

SK SLIM CHUCK

SK SCHLANKE FUTTER
MANDRIN TYPE SK MINCE
SK MANDRINI SOTTILI
PORTAHERRAMIENTAS SK EJE REDUCIDO

HSK-A



Unit : mm

TAPER No.	MODEL No.	EDP No.	CLAMPING RANGE	L	D	D1	H	COLLET	WEIGHT (Kg)
32A	HSK32A-SKA06-50	P2775860	1.8 - 6.0	50	20	19.5	31	SKC6	0.50
	HSK32A-SKA10-60	P2775861	1.75 - 10.0	60	28	26	35	SKC10	0.70
40A	HSK40A-SKA06-60	P2775862	1.8 - 6.0	60	20	19.5	31	SKC6	0.70
	HSK40A-SKA10-60	P2775863	1.75 - 10.0	60	28	27.5	35	SKC10	0.90
	HSK40A-SKA13-80	P2775864	2.75 - 13.0	80	33	33	43.6	SKC13	1.00
50A	HSK50A-SKA06-80	P2775865	1.8 - 6.0	80	20	19.5	31	SKC6	0.90
	HSK50A-SKA10-100	P2775866	1.75 - 10.0	100	28	27.5	35	SKC10	1.10
	HSK50A-SKA13-100	P2775867	2.75 - 13.0	100	33	33	43.6	SKC13	1.20
63A	HSK63A-SKA06-100	P2775868	1.8 - 6.0	100	20	19.5	31	SKC6	1.40
	HSK63A-SKA10-100	P2775869	1.75 - 10.0	100	28	27.5	35	SKC10	1.60
	HSK63A-SKA13-100	P2775870	2.75 - 13.0	100	33	33	43.6	SKC13	1.70
	HSK63A-SKA16-120	P2775871	2.75 - 16.0	120	40	40	52	SKC16	1.70
	HSK63A-SKA20-120	P2775872	3.5 - 20.0	120	48.5	48.5	59.6	SKC20	2.10
80A	HSK80A-SKA06-120	P2775893	1.8 - 6.0	120	20	19.5	31	SKC6	1.60
	HSK80A-SKA10-120	P2775875	1.75 - 10.0	120	28	27.5	35	SKC10	1.72
	HSK80A-SKA13-120	P2775876	2.75 - 13.0	120	33	33	43.6	SKC13	1.79
	HSK80A-SKA16-120	P2775877	2.75 - 16.0	120	40	40	52	SKC16	1.96
	HSK80A-SKA20-130	P2775878	3.5 - 20.0	130	48.5	48.5	59.6	SKC20	2.39
100A	HSK100A-SKA06-120	P2775880	1.8 - 6.0	120	20	19.5	31	SKC6	4.00
	HSK100A-SKA10-150	P2775881	1.75 - 10.0	150	28	27.5	35	SKC10	4.50
	HSK100A-SKA13-150	P2775882	2.75 - 13.0	150	33	33	43.6	SKC13	4.60
	HSK100A-SKA16-150	P2775883	2.75 - 16.0	150	40	40	52	SKC16	5.10
	HSK100A-SKA20-150	P2775884	3.5 - 20.0	150	48.5	48.5	59.6	SKC20	5.40
	HSK100A-SKA25-160	P2775885	16.0 - 25.4	160	55	55	63.4	SKC25	5.50

- ▶ Inch type products are available.
- ▶ Balancing grade G2.5 at 25,000RPM or U max. < 1gmm.
- ▶ For applicable Collet, Nut and Spanner, please refer to page D315~D317.

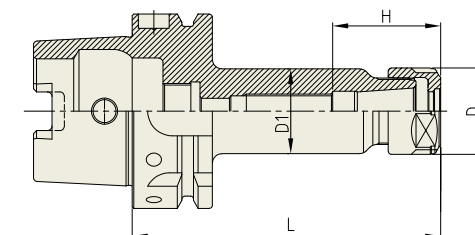


SKA

SK SLIM CHUCK

SK SCHLANKE FUTTER
MANDRIN TYPE SK MINCE
SK MANDRINI SOTTILI
PORTAHERRAMIENTAS SK EJE REDUCIDO

HSK-A



Unit : mm

TAPER No.	MODEL No.	EDP No.	CLAMPING RANGE	L	D	D1	H	COLLET	WEIGHT (Kg)
32A	HSK32A-SKA06-50	P2773502	1.8 - 6.0	50	20	19.5	31	SKC6	0.50
	HSK32A-SKA10-60	P2773503	1.75 - 10.0	60	28	26	35	SKC10	0.70
40A	HSK40A-SKA06-60	P2773504	1.8 - 6.0	60	20	19.5	31	SKC6	0.70
	HSK40A-SKA10-60	P2773505	1.75 - 10.0	60	28	27.5	35	SKC10	0.90
	HSK40A-SKA13-80	P2773506	2.75 - 13.0	80	33	33	43.6	SKC13	1.00
50A	HSK50A-SKA06-80	P2773507	1.8 - 6.0	80	20	19.5	31	SKC6	0.90
	HSK50A-SKA10-100	P2773508	1.75 - 10.0	100	28	27.5	35	SKC10	1.10
	HSK50A-SKA13-100	P2773509	2.75 - 13.0	100	33	33	43.6	SKC13	1.20
63A	HSK63A-SKA06-100	P2730492	1.8 - 6.0	100	20	19.5	31	SKC6	1.40
	HSK63A-SKA10-100	P2730494	1.75 - 10.0	100	28	27.5	35	SKC10	1.60
	HSK63A-SKA13-100	P2773510	2.75 - 13.0	100	33	33	43.6	SKC13	1.70
	HSK63A-SKA16-120	P2730510	2.75 - 16.0	120	40	40	52	SKC16	1.70
	HSK63A-SKA20-120	P2730515	3.5 - 20.0	120	48.5	48.5	59.6	SKC20	2.10
80A	HSK80A-SKA06-120	P2773550	1.8 - 6.0	120	20	19.5	31	SKC6	1.60
	HSK80A-SKA10-120	P2773512	1.75 - 10.0	120	28	27.5	35	SKC10	1.72
	HSK80A-SKA13-120	P2773513	2.75 - 13.0	120	33	33	43.6	SKC13	1.79
	HSK80A-SKA16-120	P2773514	2.75 - 16.0	120	40	40	52	SKC16	1.96
	HSK80A-SKA20-130	P2773515	3.5 - 20.0	130	48.5	48.5	59.6	SKC20	2.39
100A	HSK100A-SKA06-120	P2773516	16.0 - 25.4	150	55	55	63.4	SKC25	2.82
	HSK100A-SKA06-120	P2773517	1.8 - 6.0	120	20	19.5	31	SKC6	4.00
	HSK100A-SKA10-150	P2773518	1.75 - 10.0	150	28	27.5	35	SKC10	4.50
	HSK100A-SKA13-150	P2773519	2.75 - 13.0	150	33	33	43.6	SKC13	4.60
	HSK100A-SKA16-150	P2773520	2.75 - 16.0	150	40	40	52	SKC16	5.10
	HSK100A-SKA20-150	P2773521	3.5 - 20.0	150	48.5	48.5	59.6	SKC20	5.40
HSK100A-SKA25-160	P2773522	16.0 - 25.4	160	55	55	63.4	SKC25	5.50	

- ▶ Inch type products are available.
- ▶ For applicable Collet, Nut and Spanner, please refer to page D315~D317.

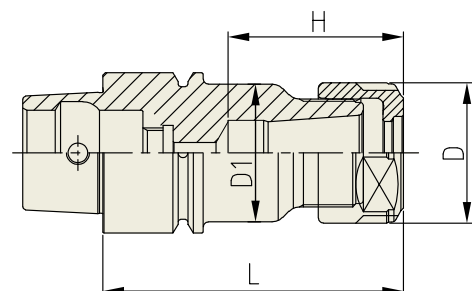


SKA

SK SLIM CHUCK

SK SCHLANKE FUTTER
MANDRIN TYPE SK MINCE
SK MANDRINI SOTTILI
PORTAHERRAMIENTAS SK EJE REDUCIDO

HSK-E



Unit : mm

TAPER No.	MODEL No.	EDP No.	CLAMPING RANGE	L	D	D1	H	COLLET	WEIGHT (Kg)
25E	HSK25E-SKA06-45	P2775886	1.8 - 6.0	45	20	19.5	31	SKC6	0.12
	HSK25E-SKA10-50	P2775887	1.75 - 10.0	50	28	21.5	35	SKC10	0.14
32E	HSK32E-SKA06-50	P2775888	1.8 - 6.0	50	20	19.5	31	SKC6	0.50
	HSK32E-SKA10-60	P2775889	1.75 - 10.0	60	28	26	35	SKC10	0.70
40E	HSK40E-SKA06-60	P2775890	1.8 - 6.0	60	20	19.5	31	SKC6	0.70
	HSK40E-SKA10-60	P2775891	1.75 - 10.0	60	28	27.5	35	SKC10	0.90
	HSK40E-SKA13-80	P2775892	2.75 - 13.0	80	33	33	43.6	SKC13	1.00

► Balancing grade G2.5 at 25,000RPM or U max. < 1gmm.



Unit : mm

TAPER No.	MODEL No.	EDP No.	CLAMPING RANGE	L	D	D1	H	COLLET	WEIGHT (Kg)
25E	HSK25E-SKA06-45	P2773523	1.8 - 6.0	45	20	19.5	31	SKC6	0.12
	HSK25E-SKA10-50	P2773524	1.75 - 10.0	50	28	21.5	35	SKC10	0.14
32E	HSK32E-SKA06-50	P2773525	1.8 - 6.0	50	20	19.5	31	SKC6	0.50
	HSK32E-SKA10-60	P2773526	1.75 - 10.0	60	28	26	35	SKC10	0.70
40E	HSK40E-SKA06-60	P2773527	1.8 - 6.0	60	20	19.5	31	SKC6	0.70
	HSK40E-SKA10-60	P2773528	1.75 - 10.0	60	28	27.5	35	SKC10	0.90
	HSK40E-SKA13-80	P2773529	2.75 - 13.0	80	33	33	43.6	SKC13	1.00

► Inch type products are available.

► For applicable Collet, Nut and Spanner, please refer to page D315~D317.

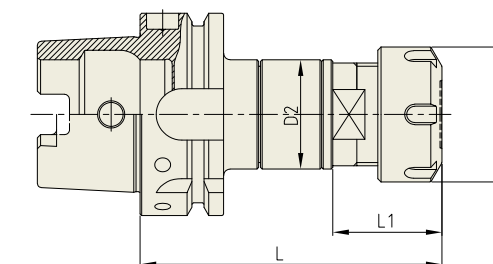
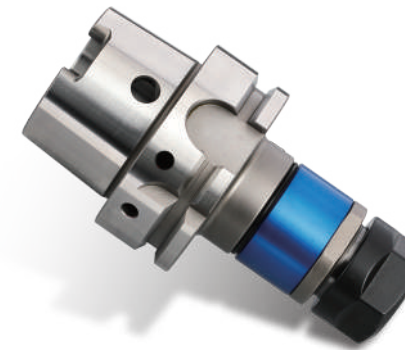


SYTER

SYNCHRO TAPPING CHUCK (ER TYPE)

SYNCHRO GEWINDESCHNEIDFUTTER (ER)
SYNCHRO TARAUDER (ER)
SINCRO MANDRINI PER MASCHIATURA (ER)
SINCRO PORTAMACHOS (ER)

HSK-A



Unit : mm

TAPER No.	MODEL No.	EDP No.	TAP SIZE	NUT/COLLET	D1	D2	L	L1	TENSION/ COMPRESSION	WEIGHT (Kg)
63A	HSK63A-SYTER12-105	P2773812	M3-M12	ER16	28	34	105	31	±0.2	-
	HSK63A-SYTER16-106	P2773808	M3-M16	ER20	34	34	106	31	±0.2	0.95
	HSK63A-SYTER16-120	P2773804	M3-M16	ER20	34	34	120	31	±0.2	-
	HSK63A-SYTER20-110	P2773809	M3-M20	ER25	42	34	110	37.5	±0.2	0.95
	HSK63A-SYTER20-120	P2773805	M3-M20	ER25	42	34	120	37.5	±0.2	-
	HSK63A-SYTER27-115	P2773810	M4-M27	ER32	50	45	115	41	±0.2	1.34
	HSK63A-SYTER27-155	P2773813	M4-M27	ER32	50	45	155	41	±0.2	-
100A	HSK63A-SYTER33-130	P2773814	M4-M33	ER40	63	62	130	60	±0.2	-
	HSK100A-SYTER20-106	P2773807	M3-M20	ER25	42	34	106	36	±0.2	0.95
	HSK100A-SYTER27-124	P2773815	M4-M27	ER32	50	45	124	41	±0.2	-
	HSK100A-SYTER27-155	P2773816	M4-M27	ER32	50	45	155	41	±0.2	-
	HSK100A-SYTER33-135	P2773817	M4-M33	ER40	63	62	135	60	±0.2	-

► Feature :

- Compensation for synchronization errors to extend tap life and to improve thread quality.
 - To compensate for pitch tolerances of taps.
 - For machine with synchronized spindle.
- Inch type products are available.
- ER collet of page D296~D302, and Tap ER collet of page D303~D304 are applicable.

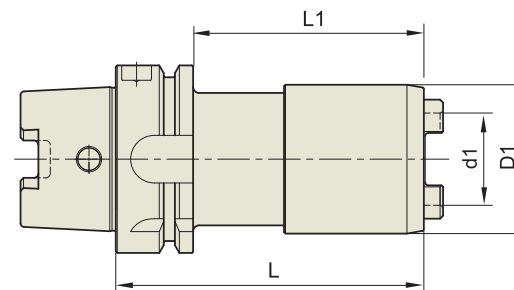
SYNCHRO TAPPING CHUCK

SYTC

SYNCHRO TAPPING CHUCK (QUICK CHANGE TYPE)

SYNCHRO GEWINDESCHNEID-SCHNELLWECHSELFUTTER
 SYNCHRO TARAUDER À CHANGEMENT RAPIDE
 SINCRO MANDRINO PER MASCHIARE
 SINCRO PORTAMACHOS DE CAMBIO RAPIDO

HSK-A



Unit : mm

TAPER No.	MODEL No.	EDP No.	TAP SIZE	TAP ADAPTOR	d1	D1	L	L1	WEIGHT (Kg)
32A	HSK32A-SYTC12-75	P2774314	M3-M12	TCS12	19	36	75	55	0.32
50A	HSK50A-SYTC12-72	P2774315	M3-M12	TCS12	19	36	72	46	0.54
	HSK50A-SYTC20-91	P2774316	M6-M24	TCS24	31	50	91	65	0.70
63A	HSK63A-SYTC12-75	P2774301	M3-M12	TCS12	19	36	75	49	0.82
	HSK63A-SYTC12-80	P2774302	M3-M12	TCS12	19	36	80	54	0.85
	HSK63A-SYTC12-120	P2774303	M3-M12	TCS12	19	36	120	94	1.08
	HSK63A-SYTC12-152	P2774304	M3-M12	TCS12	19	36	152	126	1.27
	HSK63A-SYTC12-180	P2774305	M3-M12	TCS12	19	36	180	154	1.44
	HSK63A-SYTC20-89	P2774306	M6-M24	TCS24	31	50	89	63	0.84
	HSK63A-SYTC33-121	P2774307	M18-M38	TCS38	48	74	121	95	1.45
	HSK100A-SYTC12-75	P2774308	M3-M12	TCS12	19	36	75	43	2.20
100A	HSK100A-SYTC12-160	P2774309	M3-M12	TCS12	19	36	160	131	2.60
	HSK100A-SYTC20-94	P2774310	M6-M24	TCS24	31	50	94	65	2.39
	HSK100A-SYTC20-160	P2774311	M6-M24	TCS24	31	50	160	131	2.99
	HSK100A-SYTC33-127	P2774312	M18-M38	TCS38	48	74	127	98	3.11
	HSK100A-SYTC33-160	P2774313	M18-M38	TCS38	48	74	160	131	4.03

- Feature :
- Compensation for synchronization errors to extend tap life and to improve thread quality.
 - To compensate for pitch tolerances of taps.
 - For machine with synchronized spindle.
- For applicable Tap Adaptor, please refer to page D318~D319.

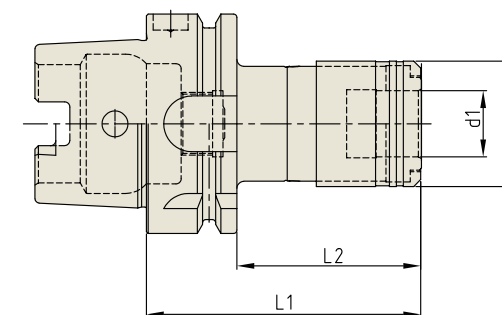
ONE STEP TAPPING CHUCK

OTC

ONE STEP TAPPING CHUCK

GEWINDE-SCHNELLWECHSELFUTTER
 MANDRIN DE TARAUDAGE À CHANGEMENT RAPIDE
 PORTAMASCHI A CAMBIO RAPIDO
 MANDRINO DE CAMBIO RÁPIDO CON ROSCA

HSK-A



Unit : mm

TAPER No.	MODEL No.	EDP No.	d1	D2	L1	L2	LENGTH COMPENSATION		WEIGHT (Kg)
							Compression	Tension	
63A	HSK63A-OTC-M3-M12-77	P2802401	19	36	77	51	7.5	7.5	1.10
	HSK63A-OTC-M8-M20-110	P2802402	31	53	110	84	12.5	12.5	1.50
	HSK63A-OTC-M14-M36-155	P2802403	48	78	155	129	20	20	3.30
100A	HSK100A-OTC-M3-M12-85.5	P2802404	19	36	85.5	56.5	7.5	7.5	3.00
	HSK100A-OTC-M8-M20-119.5	P2802405	31	53	119.5	90.5	12.5	12.5	3.30
	HSK100A-OTC-M14-M36-161	P2802406	48	78	161	132	20	20	5.20

► For applicable Tap Adaptor, please refer to page D318~D319.

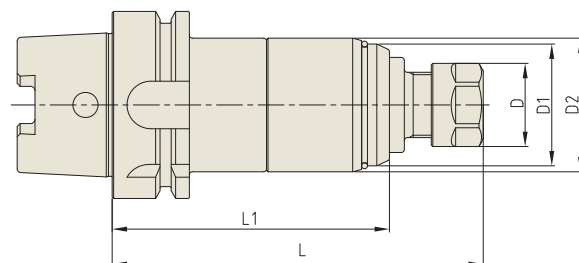
YG TAPPING ER CHUCK

TER

TAPPING ER CHUCK

ER - GEWINDESCHNEIDFUTTER
 MANDRIN DE TARAUDAGE PINCE ER
 MANDRINI PORTAPINZA ER PER MASCHIATURA
 PORTAPINZAS ER PARA MACHOS

HSK-A



Unit : mm

TAPER No.	MODEL No.	EDP No.	D	D1	D2	L	L1	NUT / COLLET	WEIGHT (Kg)
50A	HSK50A-TER16-125	P2774107	28	41	45	125	93.4	ER16	1.20
	HSK50A-TER16-150	P2774108	28	41	45	150	118.4	ER16	1.30
63A	HSK63A-TER16-125	P2774101	28	41	45	125	93.4	ER16	1.70
	HSK63A-TER16-150	P2774102	28	41	45	150	118.4	ER16	1.85
	HSK63A-TER32-150	P2774103	50	58	63	150	112	ER32	2.10
	HSK63A-TER32-180	P2774109	50	58	63	180	142	ER32	2.30
100A	HSK100A-TER16-130	P2774104	28	41	45	130	98.4	ER16	4.00
	HSK100A-TER16-150	P2774105	28	41	45	150	118.4	ER16	4.20
	HSK100A-TER32-150	P2774106	50	58	63	150	112	ER32	4.40
	HSK100A-TER32-180	P2774110	50	58	63	180	142	ER32	4.60

- ▶ Inch type products are available.
- ▶ ER collet of page D296~D302 and Tap ER collet of page D303~D304 are applicable.

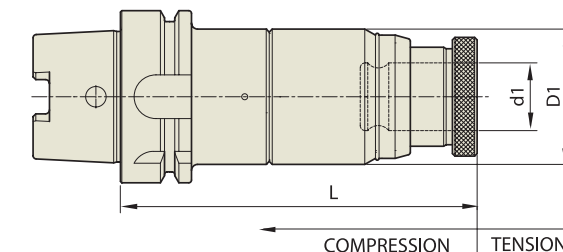
YG TAPPING CHUCK

TC

TAPPING CHUCK

GEWINDESCHNEID - SCHNELLWECHSELFUTTER
 TARAUDER À CHANGEMENT RAPIDE
 MANDRINO PER MASCHIARE
 PORTAMACHOS DE CAMBIO RAPIDO

HSK-A



Unit : mm

TAPER No.	MODEL No.	EDP No.	TAP SIZE	TAP ADAPTOR	LENGTH COMPENSATION		d1	D1	L	WEIGHT (Kg)
					Compression	Tension				
50A	HSK50A-TC12-120	P2774506	M3-M12	TCS12	5	15	19	45	120	0.80
	HSK63A-TC12-120	P2774501	M3-M12	TCS12	5	15	19	45	120	1.00
63A	HSK63A-TC12-150	P2774507	M3-M12	TCS12	5	15	19	45	150	1.70
	HSK63A-TC24-142	P2774502	M6-M24	TCS24	5	20	31	63	142	2.40
	HSK63A-TC24-172	P2774508	M6-M24	TCS24	5	20	31	63	172	2.70
100A	HSK100A-TC12-130	P2774503	M3-M12	TCS12	5	15	19	45	130	4.30
	HSK100A-TC12-175	P2774509	M3-M12	TCS12	5	15	19	45	175	4.80
	HSK100A-TC12-220	P2774510	M3-M12	TCS12	5	15	19	45	220	5.30
	HSK100A-TC24-142	P2774504	M6-M24	TCS24	5	20	31	63	142	5.20
	HSK100A-TC24-187	P2774511	M6-M24	TCS24	5	20	31	63	187	6.60
	HSK100A-TC38-200	P2774505	M18-M38	TCS38	10	25	48	98	200	8.00

- ▶ For applicable Tap Adaptor, please refer to page D318~D319.

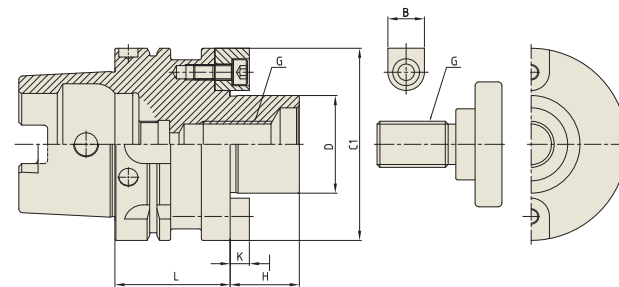
YG FACE MILL ARBOR

FMA

FACE MILL ARBOR

AUFNAHMEDORN FÜR MESSERKÖPFE
ARBRE PORTE FRAISE À ALÉSAGE
MANDRINO PORTA FRESE FRONTALE
EJE PARA PLATOS DE PLACAS

HSK-A



Unit : mm

TAPER No.	MODEL No.	EDP No.	D	L	C1	H	B	K	G	WEIGHT (Kg)
40A	HSK40A-FMA25.4-50	P2779243	25.4	50	50	22	9.52	4.8	M12	0.61
50A	HSK50A-FMA25.4-60	P2779244	25.4	60	50	22	9.52	4.8	M12	0.90
63A	HSK63A-FMA25.4-45	P2779245	25.4	45	50	22	9.52	4.8	M12	1.03
	HSK63A-FMA31.75-50	P2779246	31.75	50	60	30	12.7	6.35	M16	1.26
100A	HSK100A-FMA25.4-45	P2779247	25.4	45	50	22	9.52	4.8	M12	2.31
	HSK100A-FMA31.75-50	P2779248	31.75	50	60	30	12.7	6.35	M16	2.61
	HSK100A-FMA38.1-55	P2779249	38.1	55	80	34	15.87	7.8	M20	3.22
	HSK100A-FMA50.8-60	P2779250	50.8	60	100	36	19.05	11	M24	4.06

► For parts, please refer to page D313.

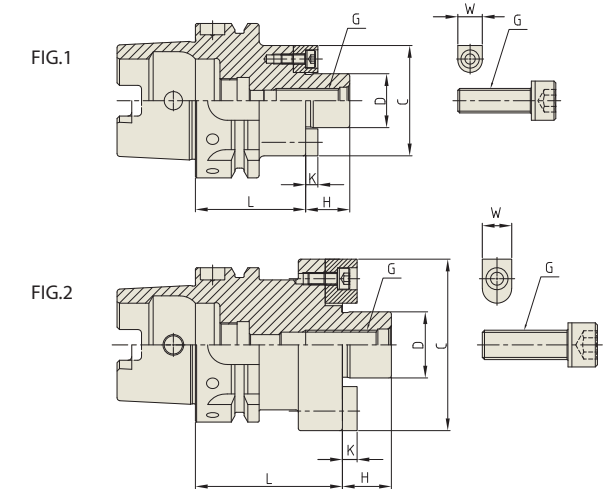
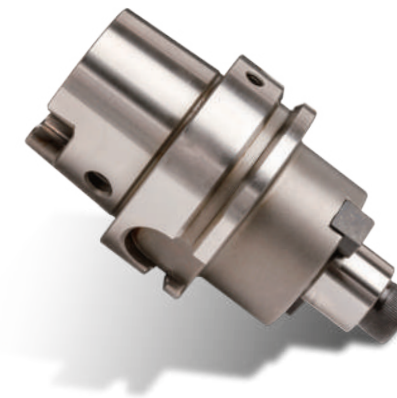
YG FACE MILL ARBOR

FMC

FACE MILL ARBOR

AUFNAHMEDORN FÜR MESSERKÖPFE
ARBRE PORTE FRAISE À ALÉSAGE
MANDRINO PORTA FRESE FRONTALE
EJE PARA PLATOS DE PLACAS

HSK-A



Unit : mm

TAPER No.	MODEL No.	EDP No.	D	L	C	H	W	K	G	FIG.	WEIGHT (Kg)
40A	HSK40A-FMC16-45	P2774707	16	45	34	17	8	4	M8	1	0.43
	HSK40A-FMC22-50	P2774708	22	50	45	18	10	5	M10	2	0.56
	HSK40A-FMC27-60	P2774709	27	60	70	20	12	6	M12	2	1.02
50A	HSK50A-FMC16-40	P2774710	16	40	34	17	8	4	M8	1	0.54
	HSK50A-FMC22-50	P2774711	22	50	45	18	10	5	M10	2	0.73
	HSK50A-FMC27-60	P2774712	27	60	70	20	12	6	M12	2	1.20
63A	HSK63A-FMC22-45	P2774701	22	45	45	18	10	5	M10	1	0.97
	HSK63A-FMC27-60	P2774702	27	60	70	20	12	6	M12	2	1.57
	HSK63A-FMC32-60	P2774703	32	60	83	22	14	7	M16	2	1.81
100A	HSK100A-FMC22-50	P2774704	22	50	45	18	10	5	M10	1	2.33
	HSK100A-FMC27-60	P2774705	27	60	70	20	12	6	M12	1	3.02
	HSK100A-FMC32-60	P2774706	32	60	85	22	14	7	M16	1	3.41

► For parts, please refer to page D313.

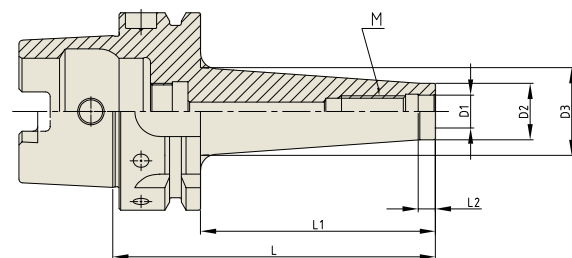
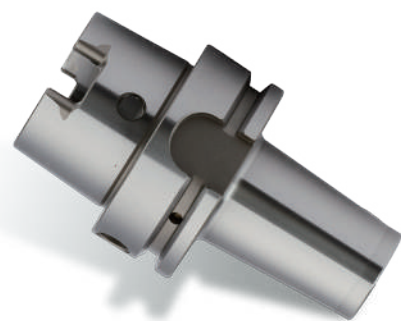
YIG COPY MILL ARBOR

M

COPY MILL ARBOR

WERKZEUGAUFNAHME FÜR EINSCHRAUBFRÄSER MIT GEWINDE
 MANDRIN POUR FRAISES À QUEUE FILETÉE AVEC FILETAGE
 MANDRINO PER FRESE MODULARI FILETTATE
 PORTAHERRAMIENTAS PARA FRESAS DE ENROSCAR CON ROSCA

HSK-A



Unit : mm									
TAPER No.	MODEL No. (M-L1)	EDP No.	D1	D2	D3	L	L1	L2	WEIGHT (Kg)
63A	HSK63A-M5-25	P2801801	5.5	10	13	51	25	5	0.77
	HSK63A-M6-25	P2801802	6.5	10	13	51	25	5	0.77
	HSK63A-M8-25	P2801803	8.5	13	15	51	25	5	0.81
	HSK63A-M8-50	P2801804	8.5	13	23	76	50	5	1.09
	HSK63A-M8-75	P2801805	8.5	13	23	101	75	5	1.29
	HSK63A-M10-25	P2801806	10.5	18	20	51	25	5	0.90
	HSK63A-M10-50	P2801807	10.5	18	23	76	50	5	1.20
	HSK63A-M10-75	P2801808	10.5	18	28	101	75	5	1.33
	HSK63A-M10-100	P2801809	10.5	18	32	126	100	5	1.45
	HSK63A-M10-150	P2801810	10.5	18	36.5	176	150	5	1.60
	HSK63A-M12-25	P2801811	12.5	21	24	51	25	5	0.98
	HSK63A-M12-50	P2801812	12.5	21	24	76	50	5	1.29
	HSK63A-M12-75	P2801813	12.5	21	31	101	75	5	1.92
	HSK63A-M12-100	P2801814	12.5	21	33	126	100	5	2.48
	HSK63A-M12-150	P2801815	12.5	21	40	176	150	5	4.19
	HSK63A-M16-25	P2801816	17	29	29	51	25	5	0.78
	HSK63A-M16-50	P2801817	17	29	34	76	50	5	1.85
	HSK63A-M16-75	P2801818	17	29	34	101	75	5	2.46
	HSK63A-M16-100	P2801819	17	29	36	126	100	5	3.23
	HSK63A-M16-150	P2801820	17	29	42.5	176	150	5	5.39
100A	HSK100A-M8-50	P2801821	8.5	13	23	79	50	5	2.33
	HSK100A-M10-50	P2801822	10.5	18	23	79	50	5	2.35
	HSK100A-M10-100	P2801823	10.5	18	32	129	100	10	2.59
	HSK100A-M10-150	P2801824	10.5	18	36.5	179	150	10	2.90
	HSK100A-M12-50	P2801825	12.5	21	24	79	50	5	2.37
	HSK100A-M12-100	P2801826	12.5	21	33	129	100	10	2.64
	HSK100A-M12-150	P2801827	12.5	21	40	179	150	10	3.05
	HSK100A-M16-50	P2801828	17	29	34	79	50	5	2.48
	HSK100A-M16-100	P2801829	17	29	36	129	100	10	2.81
	HSK100A-M16-150	P2801830	17	29	42.5	179	150	10	3.32

► Balancing grade G2.5 at 25,000RPM or U max. < 1gmm.
 ► For the screw-in milling cutters with thread.

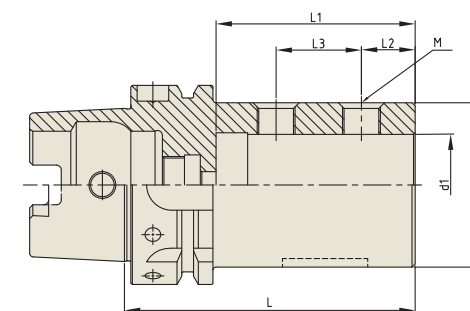
YIG INDEXABLE DRILL HOLDER

SL

INDEXABLE DRILL HOLDER

WERKZEUGHALTER FÜR VOLLBOHRER
 MANDRIN POUR FORETS À PLAQUETTES
 MANDRINO PER PUNTE A INSERTI
 SOPORTE PARA HERRAMIENTAS PARA BROCAS DE ACERO MACIZO

HSK-A



Unit : mm										
TAPER No.	MODEL No.	EDP No.	d1	D1	L	L1	L2	L3	M	WEIGHT (Kg)
63A	HSK63A-SL20-80	P2802051	20	40	80	54	15	20	M10	1.04
	HSK63A-SL25-90	P2802052	25	45	90	59	17	23	M12	1.21
	HSK63A-SL32-90	P2802053	32	52	90	63	17	27	M12	1.30
	HSK63A-SL40-105	P2802054	40	60	105	73	22	28	M16	1.58
100A	HSK100A-SL20-90	P2802055	20	40	90	54	15	20	M10	2.71
	HSK100A-SL25-95	P2802056	25	45	95	59	17	23	M12	2.84
	HSK100A-SL32-100	P2802057	32	52	100	63	17	27	M12	3.03
	HSK100A-SL40-110	P2802058	40	60	110	73	22	28	M16	3.32

► Inch type products are available.
 ► For the indexable drills with parallel shank.

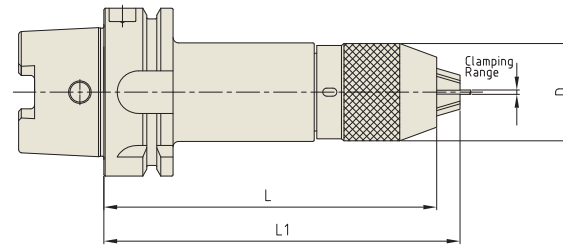


NPU

NC DRILL CHUCK (KEYLESS TYPE)

NC - BOHRFUTTER
MANDRIN DE PERÇAGE NC
NC MANDRINI PORTA PUNTE
PORTABROCAS PARA BROCAS NC

HSK-A



Unit : mm

TAPER No.	MODEL No.	EDP No.	CLAMPING RANGE	D	L (Min.)	L1 (Max.)	WEIGHT (Kg)
40A	HSK40A-NPU8-120	P2775202	0.3 - 8.0	36.5	120	125.7	1.00
50A	HSK50A-NPU8-120	P2775203	0.3 - 8.0	36.5	120	125.7	1.20
	HSK50A-NPU13-150	P2775201	0.3 - 13.0	50.4	150	160	2.10
63A	HSK63A-NPU8-125	P2775204	0.3 - 8.0	36.5	125	130.7	2.10
	HSK63A-NPU13-150	P2775205	0.3 - 13.0	50.4	150	160	3.00
100A	HSK100A-NPU8-130	P2775206	0.3 - 8.0	36.5	130	135.7	4.80
	HSK100A-NPU13-150	P2775207	0.3 - 13.0	50.4	150	160	5.50

► Supplied with hook wrench. (Size NPU 8 : 8S, NPU 13 : 13S)

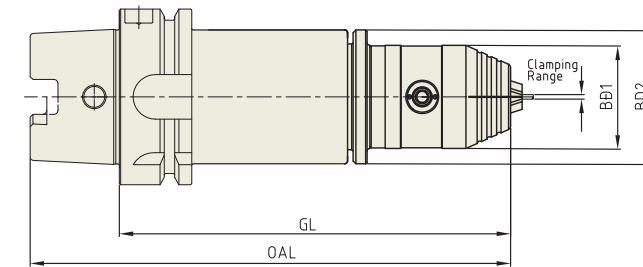


HKD

NC DRILL CHUCK (HEX. KEY TYPE)

NC - BOHRFUTTER
MANDRIN DE PERÇAGE NC
NC MANDRINI PORTA PUNTE
PORTABROCAS PARA BROCAS NC

HSK-A



Unit : mm

TAPER No.	MODEL No.	EDP No.	CLAMPING RANGE	OAL	GL	BD1	BD2	WEIGHT (Kg)
63A	HSK63A-HKD8-155	P2804013	0.3 - 8.0	187	155	37	48	-
	HSK63A-HKD13-175	P2804014	0.3 - 13.0	207	175	50.1	50.1	-

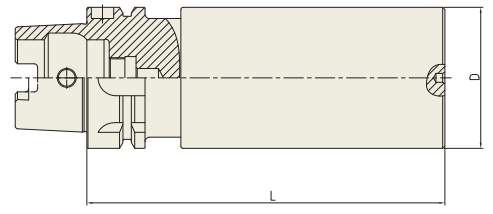
► Supplied with hex. wrench. (Size HKD 8 : 4mm, HKD 13 : 6mm)

YG BLANK BAR

BL

BLANK BAR
 BOHRSTANGENROHLING
 EBAUCHE DE BARRES D'ALÉSAGE
 BARRA ALESATRICE GREZZA
 PIEZA EN BRUTO PARA BARRAS DE MANDRINAR

HSK-A



Unit : mm

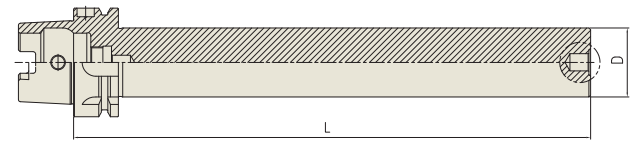
TAPER No.	MODEL No.	EDP No.	D	L	WEIGHT(Kg)
63A	HSK63A-BL63-160	P2779198	63	160	3.91
100A	HSK100A-BL97-250	P2779199	97	250	17.70

YG TEST BAR

TB

TEST BAR
 KONTROLLDORN
 MANDRIN DE CONTRÔLE
 MANDRINO DI CONTROLLO
 MANDRIL DE CONTROL

HSK-A



Unit : mm

TAPER No.	MODEL No.	EDP No.	D	L	WEIGHT(Kg)
63A	HSK63A-TB40-300	P2802303	40	300	2.90
100A	HSK100A-TB50-300	P2802304	50	300	6.17

YG-1 TOOLING SYSTEM

STRAIGHT

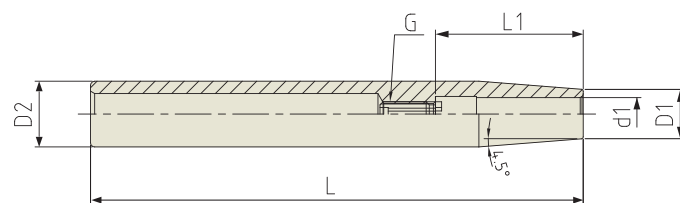


- SHRINK FIT HOLDER - EXTENSION
- ER COLLET CHUCK
- SK SLIM CHUCK
- SYNCHRO TAPPING CHUCK
- ONE STEP TAPPING CHUCK
- TAPPING CHUCK
- NC DRILL CHUCK (KEYLESS TYPE)

SHRINK FIT HOLDER - EXTENSION

SCHRUMPFUTTER (VERLÄGERUNG)
 MANDRIN DE FRETAGE (EXTENSION)
 MADRINI PER CALLETAMENTO A CALDO (PROLUNGHE)
 PORTAHERRAMIENTAS DE COMPRESION POR CALOR (EXTENSION)

STRAIGHT



Unit : mm

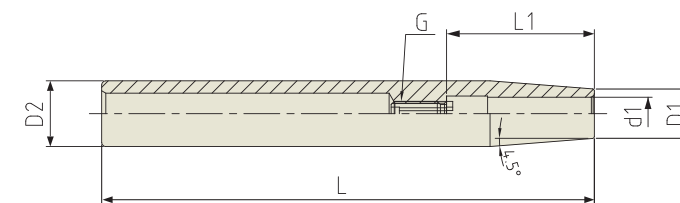
TAPER No.	MODEL No.	EDP No.	d1	D1	D2	L	L1	G	WEIGHT (Kg)
12	ST12-SFH3-120	P2767010	3	8	12	120	10	-	0.05
	ST12-SFH4-120	P2767015	4	8	12	120	12	-	0.05
	ST12-SFH5-120	P2771701	5	10	12	120	15	-	0.08
	ST12-SFH6-120	P2771709	6	10	12	120	36	M5×0.8	0.07
16	ST16-SFH3-120	P2767110	3	10	16	120	10	-	0.14
	ST16-SFH4-120	P2767115	4	10	16	120	12	-	0.14
	ST16-SFH5-120	P2771702	5	10	16	120	15	-	0.14
	ST16-SFH6-120	P2771710	6	10	16	120	36	M5×0.8	0.14
	ST16-SFH8-120	P2771711	8	12	16	120	36	M6×1.0	0.12
20	ST20-SFH3-120	P2771703	3	10	20	120	10	-	0.21
	ST20-SFH4-120	P2771704	4	10	20	120	12	-	0.21
	ST20-SFH5-120	P2771705	5	10	20	120	15	-	0.20
	ST20-SFH6-120	P2771712	6	10	20	120	36	M5×0.8	0.20
	ST20-SFH8-120	P2771713	8	12	20	120	36	M6×1.0	0.19
	ST20-SFH10-120	P2771714	10	14	20	120	43	M8×1.0	0.20
	ST20-SFH12-120	P2771715	12	16	20	120	48	M10×1.0	0.18

► Inch type products are available.

SHRINK FIT HOLDER - EXTENSION

SCHRUMPFUTTER (VERLÄGERUNG)
 MANDRIN DE FRETAGE (EXTENSION)
 MADRINI PER CALLETAMENTO A CALDO (PROLUNGHE)
 PORTAHERRAMIENTAS DE COMPRESION POR CALOR (EXTENSION)

STRAIGHT



Unit : mm

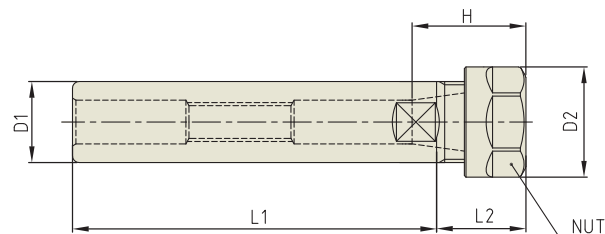
TAPER No.	MODEL No.	EDP No.	d1	D1	D2	L	L1	G	WEIGHT (Kg)	
12	ST12-SFH3-160	P2767020	3	8	12	160	10	-	0.07	
	ST12-SFH4-160	P2767025	4	8	12	160	12	-	0.07	
	ST12-SFH5-160	P2771706	5	10	12	160	15	-	0.10	
	ST12-SFH6-160	P2767030	6	10	12	160	36	M5×0.8	0.13	
16	ST16-SFH3-160	P2767120	3	10	16	160	10	-	0.20	
	ST16-SFH4-160	P2767125	4	10	16	160	12	-	0.20	
	ST16-SFH5-160	P2771707	5	10	16	160	15	-	0.20	
	ST16-SFH6-160	P2767130	6	10	16	160	36	M5×0.8	0.19	
	ST16-SFH8-160	P2767135	8	12	16	160	36	M6×1.0	0.16	
20	ST20-SFH3-160	P2767210	3	10	20	160	10	-	0.30	
	ST20-SFH4-160	P2767215	4	10	20	160	12	-	0.30	
	ST20-SFH5-160	P2771708	5	10	20	160	15	-	0.29	
	ST20-SFH6-160	P2767220	6	10	20	160	36	M5×0.8	0.29	
	ST20-SFH8-160	P2767225	8	12	20	160	36	M6×1.0	0.27	
	ST20-SFH10-160	P2767230	10	14	20	160	43	M8×1.0	0.27	
	ST20-SFH12-160	P2767235	12	16	20	160	48	M10×1.0	0.23	
	ST25-SFH3-160	P2771716	3	10	25	160	10	-	0.41	
25	ST25-SFH4-160	P2771717	4	10	25	160	12	-	0.39	
	ST25-SFH5-160	P2771718	5	15	25	160	15	-	0.50	
	ST25-SFH6-160	P2771719	6	20	25	160	36	M5×0.8	0.55	
	ST25-SFH8-160	P2771720	8	20	25	160	36	M6×1.0	0.51	
	ST25-SFH10-160	P2771721	10	20	25	160	43	M8×1.0	0.50	
	ST25-SFH12-160	P2771722	12	20	25	160	48	M10×1.0	0.44	
	ST25-SFH14-160	P2771723	14	20	25	160	48	M10×1.0	0.40	
	ST25-SFH16-160	P2771724	16	22	25	160	51	M12×1.0	0.39	
	32	ST32-SFH6-160	P2771725	6	20	32	160	36	M5×0.8	0.92
		ST32-SFH8-160	P2771726	8	20	32	160	36	M6×1.0	0.88
ST32-SFH10-160		P2771727	10	24	32	160	43	M8×1.0	0.83	
ST32-SFH12-160		P2771728	12	24	32	160	48	M10×1.0	0.78	
ST32-SFH14-160		P2771729	14	27	32	160	48	M10×1.0	0.78	
ST32-SFH16-160		P2771730	16	27	32	160	51	M12×1.0	0.76	
32	ST32-SFH18-160	P2771731	18	27	32	160	51	M12×1.0	0.63	
	ST32-SFH20-160	P2771732	20	27	32	160	53	M16×1.0	0.60	

► Inch type products are available.

ER COLLET CHUCK (STANDARD)

SPANN FUTTER - ER
MANDRIN À PINCES - ER
MANDRINO PORTA PINZE - ER
PORTAPINZAS - ER

STRAIGHT-K



Unit : mm

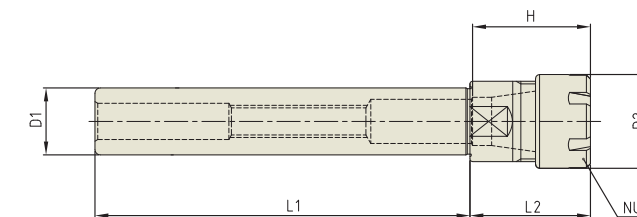
TAPER No.	MODEL No.	EDP No.	CLAMPING RANGE	D1	D2	L1	L2	H	NUT / COLLET	WEIGHT (Kg)
16	K16-ER11-100	P2772201	0.5 - 7.0	16	19	100	32	27	ER11	0.15
	K16-ER16-100	P2772219	0.5 - 10.0	16	28	100	36	32.6	ER16	0.18
20	K20-ER16-100	P2772202	0.5 - 10.0	20	28	100	36	35.6	ER16	0.25
	K20-ER20-100	P2772203	0.5 - 13.0	20	34	100	40	38	ER20	0.29
25	K20-ER25-100	P2772220	1.0 - 16.0	20	42	100	50	44	ER25	0.35
	K25-ER20-100	P2772221	0.5 - 13.0	25	34	100	40	71.6	ER20	0.40
32	K25-ER25-100	P2772204	1.0 - 16.0	25	42	100	50	43.1	ER25	0.45
	K32-ER16-100	P2772222	0.5 - 10.0	32	28	100	36	-	ER16	0.50
32	K32-ER20-100	P2772223	0.5 - 13.0	32	34	100	40	71.6	ER20	0.66
	K32-ER25-100	P2772224	1.0 - 16.0	32	42	100	50	71.1	ER25	0.75
	K32-ER32-100	P2772225	1.0 - 20.0	32	50	100	58	78	ER32	1.00

► For applicable ER collet, please refer to page D296~D304.
► For applicable ER nut, Sealing disk and Spanner, please refer to page D305~D309.

EXTENSION ER COLLET CHUCK (SLIM)

VERLÄNGERUNG SPANN FUTTER (SCHLANK)
EXTENSION MANDRIN À PINCES (MINCE)
PROLUNGHE MANDRINO PORTA PINZE (SOTTILE)
EXTENSION PORTAPINZAS (DELGADO)

STRAIGHT-K



Unit : mm

TAPER No.	MODEL No.	EDP No.	CLAMPING RANGE	D1	D2	L1	L2	H	NUT / COLLET	WEIGHT (Kg)
12	K12-ER8M-70	P2772205	0.5 - 5.0	12	12	70	25.0	38.0	ER8M / ER8	0.10
	K12-ER8M-100	P2780001	0.5 - 5.0	12	12	100	25.0	38.0	ER8M / ER8	0.13
	K12-ER8M-150	P2780002	0.5 - 5.0	12	12	150	25.0	38.0	ER8M / ER8	0.17
	K12-ER8M-200	P2780003	0.5 - 5.0	12	12	200	25.0	38.0	ER8M / ER8	0.21
	K12-ER8M-250	P2780004	0.5 - 5.0	12	12	250	25.0	38.0	ER8M / ER8	0.26
	K12-ER8M-300	P2780005	0.5 - 5.0	12	12	300	25.0	38.0	ER8M / ER8	0.3
16	K16-ER11M-100	P2780006	0.5 - 7.0	16	16	100	32.0	29.5	ER11M / ER11	0.18
	K16-ER11M-140	P2772206	0.5 - 7.0	16	16	140	32.0	29.5	ER11M / ER11	0.23
	K16-ER11M-200	P2780007	0.5 - 7.0	16	16	200	32.0	29.5	ER11M / ER11	0.37
	K16-ER11M-250	P2780008	0.5 - 7.0	16	16	250	32.0	29.5	ER11M / ER11	0.45
	K16-ER11M-300	P2780009	0.5 - 7.0	16	16	300	32.0	29.5	ER11M / ER11	0.52
	K16-ER16M-100	P2780010	0.5 - 10.0	16	22	100	36.0	38.0	ER16M / ER16	0.18
	K16-ER16M-140	P2780011	0.5 - 10.0	16	22	140	36.0	38.0	ER16M / ER16	0.23
	K16-ER16M-200	P2780012	0.5 - 10.0	16	22	200	36.0	38.0	ER16M / ER16	0.37
	K16-ER16M-250	P2780013	0.5 - 10.0	16	22	250	36.0	38.0	ER16M / ER16	0.45
K16-ER16M-300	P2780014	0.5 - 10.0	16	22	300	36.0	38.0	ER16M / ER16	0.52	
20	K20-ER16M-100	P2780015	0.5 - 10.0	20	22	100	41.0	-	ER16M / ER16	0.22
	K20-ER16M-140	P2772207	0.5 - 10.0	20	22	140	41.0	-	ER16M / ER16	0.28
	K20-ER16M-200	P2780016	0.5 - 10.0	20	22	200	41.0	-	ER16M / ER16	0.54
	K20-ER16M-250	P2780017	0.5 - 10.0	20	22	250	41.0	-	ER16M / ER16	0.66
	K20-ER16M-300	P2780018	0.5 - 10.0	20	22	300	41.0	-	ER16M / ER16	0.78
	K20-ER20M-100	P2780019	0.5 - 13.0	20	28	100	41.0	41.5	ER20M / ER20	0.25
	K20-ER20M-140	P2772208	0.5 - 13.0	20	28	140	41.0	41.5	ER20M / ER20	0.32
	K20-ER20M-200	P2780020	0.5 - 13.0	20	28	200	41.0	41.5	ER20M / ER20	0.54
	K20-ER20M-250	P2780021	0.5 - 13.0	20	28	250	41.0	41.5	ER20M / ER20	0.66
	K20-ER20M-300	P2780022	0.5 - 13.0	20	28	300	41.0	41.5	ER20M / ER20	0.78

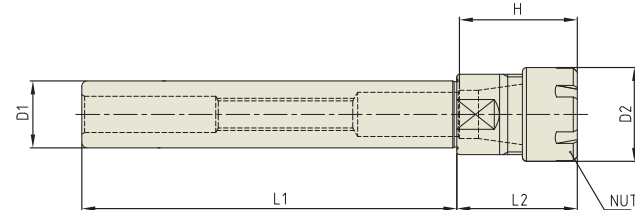
► For applicable ER collet, please refer to page D296~D304.
► For applicable ER nut, Sealing disk and Spanner, please refer to page D307 & D309.

► NEXT PAGE

EXTENSION ER COLLET CHUCK (SLIM)

VERLÄNGERUNG SPANN FUTTER (SCHLANK)
EXTENSION MANDRIN À PINCES (MINCE)
PROLUNGHE MANDRINO PORTA PINZE (SOTTILE)
EXTENSION PORTAPINZAS (DELGADO)

STRAIGHT-K



Unit : mm

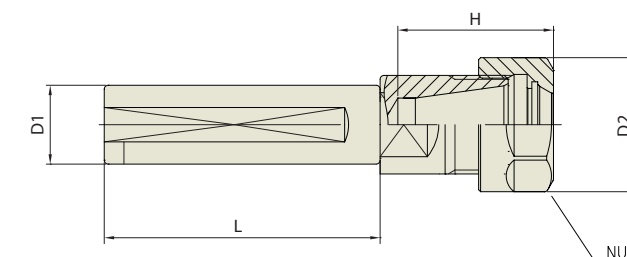
TAPER No.	MODEL No.	EDP No.	CLAMPING RANGE	D1	D2	L1	L2	H	NUT / COLLET	WEIGHT (Kg)
25	K25-ER16M-100	P2780023	0.5 - 10.0	25	22	100	41.0	-	ER16M / ER16	0.38
	K25-ER16M-140	P2772209	0.5 - 10.0	25	22	140	41.0	-	ER16M / ER16	0.50
	K25-ER16M-200	P2780024	0.5 - 10.0	25	22	200	41.0	-	ER16M / ER16	0.80
	K25-ER16M-250	P2780025	0.5 - 10.0	25	22	250	41.0	-	ER16M / ER16	1.00
	K25-ER16M-300	P2780026	0.5 - 10.0	25	22	300	41.0	-	ER16M / ER16	1.19
	K25-ER20M-140	P2772210	0.5 - 13.0	25	28	140	41.0	79.0	ER20M / ER20	0.52
	K25-ER20M-200	P2780027	0.5 - 13.0	25	28	200	41.0	79.0	ER20M / ER20	0.84
	K25-ER20M-250	P2780028	0.5 - 13.0	25	28	250	41.0	79.0	ER20M / ER20	1.03
	K25-ER20M-300	P2780029	0.5 - 13.0	25	28	300	41.0	79.0	ER20M / ER20	1.23
	K25-ER25M-140	P2772211	0.5 - 16.0	25	35	140	45.0	82.0	ER25M / ER25	0.50
	K25-ER25M-200	P2780030	0.5 - 16.0	25	35	200	45.0	82.0	ER25M / ER25	0.84
	K25-ER25M-250	P2780031	0.5 - 16.0	25	35	250	45.0	82.0	ER25M / ER25	1.04
	K25-ER25M-300	P2780032	0.5 - 16.0	25	35	300	45.0	82.0	ER25M / ER25	1.23
	32	K32-ER20M-150	P2780033	0.5 - 13.0	32	28	150	41.0	41.0	ER20M / ER20
K32-ER20M-200		P2780034	0.5 - 13.0	32	28	200	41.0	41.0	ER20M / ER20	1.31
K32-ER20M-250		P2780035	0.5 - 13.0	32	28	250	41.0	41.0	ER20M / ER20	1.62
K32-ER20M-300		P2780036	0.5 - 13.0	32	28	300	41.0	41.0	ER20M / ER20	1.94
K32-ER25M-150		P2780037	0.5 - 16.0	32	35	150	41.0	48.0	ER25M / ER25	1.01
K32-ER25M-200		P2780038	0.5 - 16.0	32	35	200	41.0	48.0	ER25M / ER25	1.32
K32-ER25M-250		P2780039	0.5 - 16.0	32	35	250	41.0	48.0	ER25M / ER25	1.64
K32-ER25M-300		P2780040	0.5 - 16.0	32	35	300	41.0	48.0	ER25M / ER25	1.95
K32-ER25M-350		P2780041	1.0 - 16.0	32	35	350	41.0	41.5	ER25M / ER25	2.27

- ▶ Inch type products are available.
- ▶ For applicable ER collet, please refer to page D296~D304.
- ▶ For applicable ER nut, Sealing disk and Spanner, please refer to page D307 & D309.

TENSION ER CHUCK (FOR TAPPING)

SPANNUNG SPANN FUTTER - ER - FÜR GEWINDESCHNEID
TENSION MANDRIN À PINCES - ER - POUR TARAUDER
TENSIONAMENTO MANDRINO PORTA PINZE - ER - PER MASCHIARE
TENSIÓN PORTAPINZAS - ER - PARA HILO

STRAIGHT-K



Unit : mm

TAPER No.	MODEL No.	EDP No.	CLAMPING RANGE	D1	D2	L	H	NUT / COLLET	WEIGHT (Kg)
20	K20-ERT16-70	P2772212	0.5 - 10.0	20	28	70	31.7	ER16	0.40
25	K25-ERT16-80	P2772213	0.5 - 10.0	25	28	80	31.7	ER16	0.45
	K25-ERT20-80	P2772214	0.5 - 13.0	25	34	80	35.5	ER20	0.50
32	K32-ERT16-80	P2772215	0.5 - 10.0	32	28	80	31.7	ER16	0.70
	K32-ERT20-80	P2772216	0.5 - 13.0	32	34	80	35.5	ER20	0.80
	K32-ERT25-80	P2772217	1.0 - 16.0	32	42	80	42	ER25	1.00
	K32-ERT32-80	P2772218	1.0 - 20.0	32	50	80	48	ER32	1.20

- ▶ Inch type products are available.
- ▶ For applicable ER collet, please refer to page D296~D304.
- ▶ For applicable ER nut, Sealing disk and Spanner, please refer to page D305~D309.

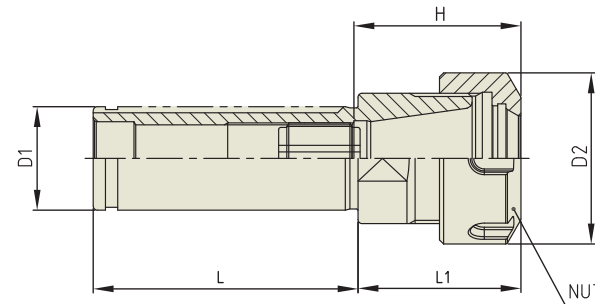
YG ER COLLET CHUCK

ER

ER COLLET CHUCK (NC-FOR CNC LATHE)

SPANN FUTTER - ER - FÜR CNC DREHBANK
 MANDRIN À PINCES - ER - POUR CNC TOUR
 MANDRINO PORTA PINZE - ER - PER CNC TORNIO
 PORTAPINZAS - ER - PARA CNC TORNO

STRAIGHT



Unit : mm

TAPER No.	MODEL No.	EDP No.	CLAMPING RANGE	D1	D2	L	L1	H	NUT / COLLET	WEIGHT (Kg)
25	NC25-ER11	P2772310	0.5 - 7.0	25	19	65	32	28.6	ER11	0.30
	NC25-ER16	P2772311	0.5 - 10.0	25	28	65	36	35.6	ER16	0.45
	NC25-ER20	P2772301	0.5 - 13.0	25	34	65	40	44.5	ER20	0.50
	NC25-ER25	P2772302	1.0 - 16.0	25	42	65	40	41	ER25	0.55
32	NC32-ER20	P2772303	0.5 - 13.0	32	34	60	39.5	44.5	ER20	0.60
	NC32-ER25	P2772304	1.0 - 16.0	32	42	70	40.0	41	ER25	0.70
	NC32-ER32	P2772305	1.0 - 20.0	32	50	70	45.0	47	ER32	0.75
40	NC40-ER32	P2772306	1.0 - 20.0	40	50	75	45.0	60	ER32	1.25
	NC40-ER40	P2772307	2.0 - 30.0	40	63	75	55.0	53	ER40	1.30

- ▶ Inch type products are available.
- ▶ For applicable ER collet, please refer to page D296~D304.
- ▶ For applicable ER nut, Sealing disk and Spanner, please refer to page D305~D309.

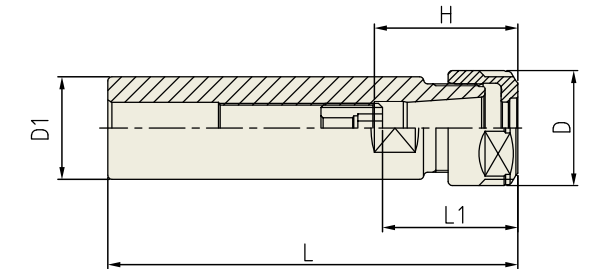
YG SK SLIM CHUCK

SKA

SK SLIM CHUCK

SK SCHLanke FUTTER
 MANDRIN TYPE SK MINCE
 SK MANDRINI SOTTILI
 PORTAHERRAMIENTAS SK EJE REDUCIDO

STRAIGHT-K



Unit : mm

TAPER No.	MODEL No.	EDP No.	CLAMPING RANGE	L	L1	D	D1	H	COLLET	WEIGHT (Kg)
20	K20-SKA06-100	P2773532	1.8 - 6.0	100	21 - 35	20	20	31	SKC6	0.20
	K20-SKA06-140	P2773533	1.8 - 6.0	140	21 - 35	20	20	31	SKC6	0.30
	K20-SKA10-100	P2773534	1.75 - 10.0	100	30 - 50	28	20	35	SKC10	0.20
	K20-SKA10-140	P2773535	1.75 - 10.0	140	30 - 50	28	20	35	SKC10	0.30
25	K25-SKA06-100	P2773536	1.8 - 6.0	100	21 - 35	20	25	31	SKC6	0.30
	K25-SKA06-140	P2773537	1.8 - 6.0	140	21 - 35	20	25	31	SKC6	0.50
	K25-SKA10-100	P2773538	1.75 - 10.0	100	30 - 50	28	25	35	SKC10	0.30
	K25-SKA10-150	P2773539	1.75 - 10.0	150	30 - 50	28	25	35	SKC10	0.50
	K25-SKA13-100	P2773540	2.75 - 13.0	100	31 - 65	33	25	43.6	SKC13	0.40
	K25-SKA13-150	P2773541	2.75 - 13.0	150	31 - 65	33	25	43.6	SKC13	0.60
32	K32-SKA10-100	P2773542	1.75 - 10.0	100	30 - 50	28	32	35	SKC10	0.50
	K32-SKA10-150	P2773543	1.75 - 10.0	150	30 - 50	28	32	35	SKC10	0.70
	K32-SKA13-100	P2773544	2.75 - 13.0	100	31 - 65	33	32	43.6	SKC13	1.00
	K32-SKA13-150	P2773545	2.75 - 13.0	150	31 - 65	33	32	43.6	SKC13	1.20
	K32-SKA16-100	P2773546	2.75 - 16.0	100	40 - 70	40	32	52	SKC16	1.00
	K32-SKA16-150	P2773547	2.75 - 16.0	150	40 - 70	40	32	52	SKC16	1.20
	K32-SKA20-100	P2773548	3.5 - 20.0	100	47 - 80	48.5	32	59.6	SKC20	1.10
	K32-SKA20-150	P2773549	3.5 - 20.0	150	47 - 80	48.5	32	59.6	SKC20	1.30

- ▶ Inch type products are available.
- ▶ For applicable Collet, Nut and Spanner, please refer to page D314~D317.

SK (DIN 69871)

CBT (BT DUAL CONTACT)

BT (JIS B6339/MAS 403)

HSK (DIN 69893/ISO 12164)

STRAIGHT

ISO, NT, MTA/MTB, GOST

TOOL HOLDER SET

BORING SYSTEM

ACCESSORY & PARTS

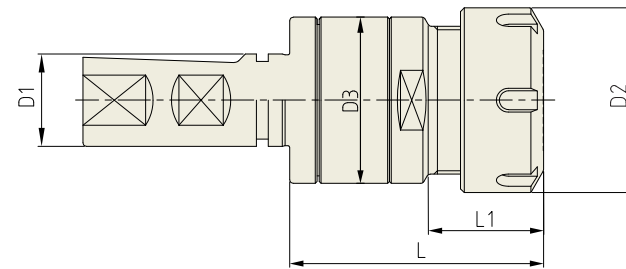
YIG SYNCHRO TAPPING CHUCK

SYTER

SYNCHRO TAPPING CHUCK (ER TYPE)

SYNCHRO GEWINDESCHNEIDFUTTER (ER)
SYNCHRO TARAUDER (ER)
SINCRO MANDRINI PER MASCHIATURA (ER)
SINCRO PORTAMACHOS (ER)

STRAIGHT-KW



Unit : mm

MODEL No.	EDP No.	TAP SIZE	NUT/ COLLET	D1	D2	D3	L	L1	Tension/ Compression	WEIGHT (Kg)
KW20-SYTER16	P2773901	M3-M16	ER20	20	34	34	58	26	±0.2	0.33
KW25-SYTER16	P2773902	M3-M16	ER20	25	34	34	61	27	±0.2	0.44
KW25-SYTER27	P2773903	M4-M27	ER32	25	50	45	69	31	±0.2	0.60

- Feature :
- Compensation for synchronization errors to extend tap life and to improve thread quality.
 - To compensate for pitch tolerances of taps.
 - For machine with synchronized spindle.
- Inch type products are available.
- ER collet of page D296~D302, and Tap ER collet of page D303~D304 are applicable.

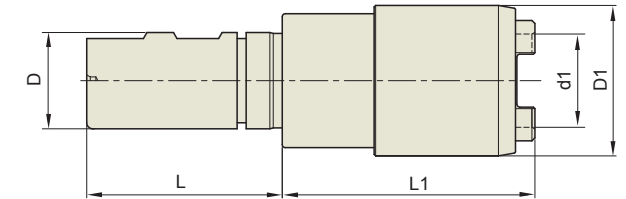
YIG SYNCHRO TAPPING CHUCK

SYTC

SYNCHRO TAPPING CHUCK (QUICK CHANGE TYPE)

SYNCHRO GEWINDESCHNEID-SCHNELLWECHSELFUTTER
SYNCHRO TARAUDER À CHANGEMENT RAPIDE
SINCRO MANDRINO PER MASCHIARE
SINCRO PORTAMACHOS DE CAMBIO RAPIDO

STRAIGHT-KW



Unit : mm

TAPER No.	MODEL No.	EDP No.	TAP SIZE	TAP ADAPTOR	D	d1	D1	L	L1	WEIGHT (Kg)
20	KW20-SYTC12-46	P2774401	M3-M12	TCS12	20	19	36	50	46	0.28
	KW20-SYTC12-107.5	P2774406	M3-M12	TCS12	20	19	36	50	107.5	0.65
25	KW25-SYTC12-46	P2774402	M3-M12	TCS12	25	19	36	56	46	0.37
	KW25-SYTC20-74	P2774403	M6-M24	TCS24	25	31	50	56	74	0.69
32	KW25-SYTC33-107.5	P2774404	M18-M38	TCS38	25	48	74	56	107.5	1.32
	KW32-SYTC12-74	P2774405	M3-M12	TCS12	32	31	50	60	74	0.71

- Feature :
- Compensation for synchronization errors to extend tap life and to improve thread quality.
 - To compensate for pitch tolerances of taps.
 - For machine with synchronized spindle.
- Inch type products are available.
- For applicable Tap Adaptor, please refer to page D318~D319.

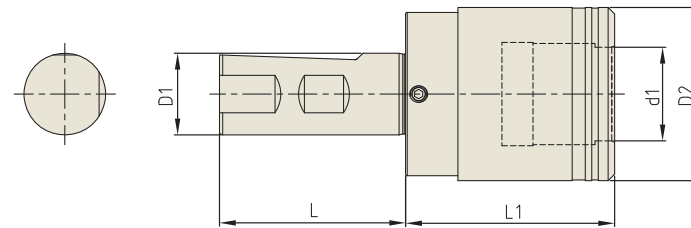
YIG ONE STEP TAPPING CHUCK

OTC

ONE STEP TAPPING CHUCK

GEWINDE-SCHNELLWECHSELFUTTER
 MANDRIN DE TARAUDAGE À CHANGEMENT RAPIDE
 PORTAMASCHI A CAMBIO RAPIDO
 MANDRINO DE CAMBIO RÁPIDO CON ROSCA

STRAIGHT-KW



Unit : mm

TAPER No.	MODEL No.	EDP No.	d1	D1	D2	L	L1	LENGTH COMPENSATION		WEIGHT (Kg)
								Compression	Tension	
20	KW20-OTC-M3-M12-40	P2802457	19	20	36	51	40	7.5	7.5	0.80
25	KW25-OTC-M3-M12-40	P2802458	19	25	36	57	40	7.5	7.5	3.00
	KW25-OTC-M8-M20-64	P2802459	31	25	53	57	64	12.5	12.5	3.30
32	KW32-OTC-M3-M12-39	P2802460	19	32	36	60	39	7.5	7.5	3.00
	KW32-OTC-M8-M20-63	P2802461	31	32	53	60.5	63	12.5	12.5	3.30
	KW32-OTC-M14-M36-124	P2802462	48	32	78	61	124	20	20	-

- ▶ Inch type products are available.
- ▶ For applicable Tap Adaptor, please refer to the page D318~D319.

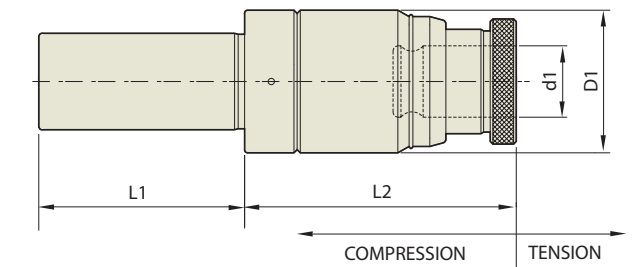
YIG TAPPING CHUCK

TC

TAPPING CHUCK

GEWINDESCHNEID-SCHNELLWECHSELFUTTER - GERADEAUS SCHAFT
 TARAUDER À CHANGEMENT RAPIDE - TOUT DROIT TIGE
 MANDRINO PER MASCHIARE - TIBIA DIRITTA
 PORTAMACHOS DE CAMBIO RAPIDO - CANA RECTA

STRAIGHT-K



Unit : mm

TAPER No.	MODEL No.	EDP No.	TAP SIZE	TAP ADAPTOR	LENGTH COMPENSATION		d1	D1	L1	L2	WEIGHT (Kg)
					Compression	Tension					
32	K32-TC12-100	P2774551	M3-M12	TCS12	5	15	19	45	60	100	0.90
	K32-TC24-120	P2774552	M6-M24	TCS24	5	20	31	63	60	120	1.40
42	K42-TC12-100	P2774553	M3-M12	TCS12	5	15	19	45	70	100	1.10
	K42-TC24-120	P2774554	M6-M24	TCS24	5	20	31	63	70	120	1.60

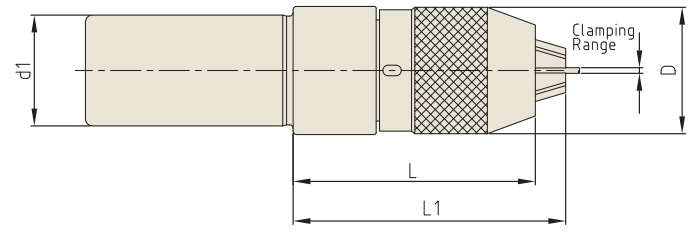
- ▶ Inch type products are available.
- ▶ For applicable Tap Adaptor, please refer to the page D318~D319.



NPU

NC DRILL CHUCK (KEYLESS TYPE)
 NC - BOHRFUTTER
 MANDRIN DE PERÇAGE NC
 NC MANDRINI PORTA PUNTE
 PORTABROCAS PARA BROCAS NC

STRAIGHT-K



Unit : mm

TAPER No.	MODEL No.	EDP No.	CLAMPING RANGE	D	d1	L (Min.)	L1 (Max.)	WEIGHT (Kg)
32	K32-NPU8-75	P2776021	0.3 - 8.0	36.5	32	75	80.7	0.70
	K32-NPU13-100	P2775252	0.3 - 13.0	50.4	32	100	110	1.50
42	K42-NPU8-70	P2775253	0.3 - 8.0	36.5	42	70	75.7	0.80
	K42-NPU13-100	P2775254	0.3 - 13.0	50.4	42	100	110	1.60

▶ Inch type products are available.
 ▶ Supplied with hook wrench. (Size NPU 8 : 8S, NPU 13 : 13S)

YG-1 TOOLING SYSTEM

**ISO, NT
MTA/MTB,
GOST**



ISO SHRINK FIT HOLDER
 ER COLLET CHUCK
 SK SLIM CHUCK
 COMBI-SHELL MILL ARBOR

NT MORSE TAPER ARBOR
 FACE MILL ARBOR

MTA ER COLLET CHUCK
 POWER MILLING CHUCK
 TAPPING CHUCK
 FACE MILL ARBOR

MTB HYDRAULIC CHUCK
 ER COLLET CHUCK
 POWER MILLING CHUCK

GOST ER COLLET CHUCK
 END MILL HOLDER
 SHELL MILL ARBOR
 MORSE TAPER ARBOR

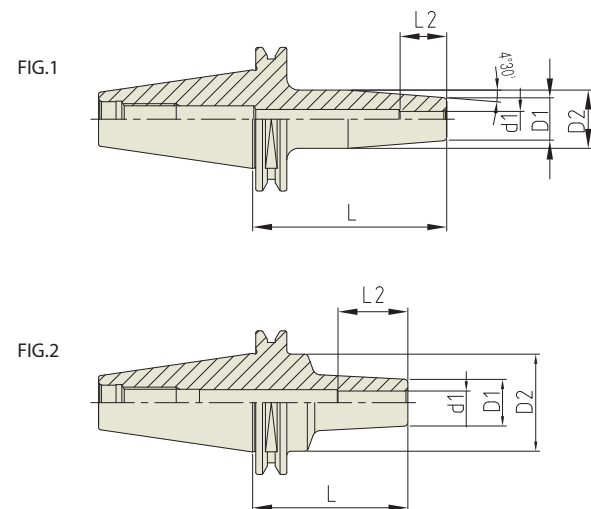
YIG SHRINK FIT HOLDER

SFH

SHRINK FIT HOLDER

SCHRUMPFUTTER
MANDRIN DE FRETAGE
MADRINI PER CALLETAMENTO A CALDO
PORTAHERRAMIENTAS DE COMPRESION POR CALOR

ISO 25



Unit : mm

TAPER No.	MODEL No.	EDP No.	d1	D1	D2	L	L2	FIG.	WEIGHT (Kg)
25	ISO25-SFH3-50	P2771651	3	11	15	50	10	1	-
	ISO25-SFH4-50	P2771652	4	11	15	50	12	1	-
	ISO25-SFH5-50	P2771653	5	11	15	50	15	1	-
	ISO25-SFH6-40	P2771654	6	12	25	40	18	2	-
	ISO25-SFH8-50	P2771655	8	14	18	50	30	1	-
	ISO25-SFH10-50	P2771656	10	16	20	50	37	1	-

- ▶ Inch type products are available.
- ▶ Higher balancing grade is available upon request.
- ▶ To be supplied with assembling of pull stud bolt.
- ▶ Balancing grade G2.5 at 25,000RPM or U max. < 1gmm.

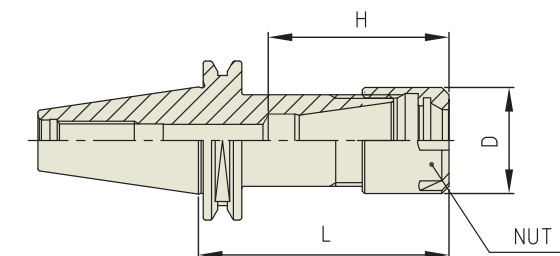
YIG ER COLLET CHUCK

ER

ER COLLET CHUCK (SLIM)

SPANN FUTTER-ER
MANDRIN À PINCES-ER
MANDRINO PORTA PINZE-ER
PORTAPINZAS-ER

ISO 20/25



Unit : mm

TAPER No.	MODEL No.	EDP No.	CLAMPING RANGE	L	D	H	NUT / COLLET	WEIGHT (Kg)
20	ISO20-ER16M-35	P2776541	0.5 - 10.0	35	22	37.5	ER16M / ER16	-
25	ISO25-ER16M-35	P2776542	0.5 - 10.0	35	22	37.5	ER16M / ER16	-
	ISO25-ER20M-36	P2776543	0.5 - 13.0	36	28	-	ER20M / ER20	-

- ▶ Higher balancing grade is available upon request.
- ▶ To be supplied with assembling of pull stud bolt.
- ▶ Balancing grade G2.5 at 25,000RPM or U max. < 1gmm.
- ▶ For applicable ER collet, please refer to page D296~D304.
- ▶ For applicable ER nut, Sealing disk and Spanner, please refer to page D307 & D309.

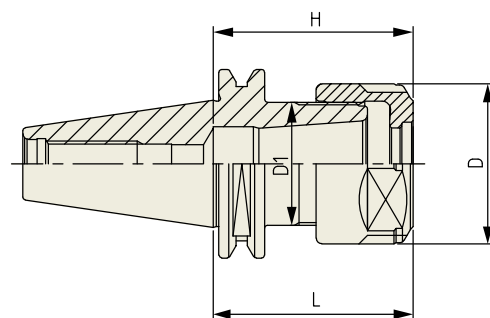


SKA

SK SLIM CHUCK

SK SCHLANKE FUTTER
MANDRIN TYPE SK MINCE
SK MANDRINI SOTTILI
PORTAHERRAMIENTAS SK EJE REDUCIDO

ISO 20/25



Unit : mm									
TAPER No.	MODEL No.	EDP No.	CLAMPING RANGE	L	D	D1	H	COLLET	WEIGHT (Kg)
20	ISO20-SKA10-35	P2773530	1.75 - 10.0	35	33	21.5	35	SKC10	0.50
25	ISO25-SKA10-35	P2773531	1.75 - 10.0	35	33	21.5	35	SKC10	0.70

- Higher balancing grade is available upon request.
- To be supplied with assembling of pull stud bolt.
- Balancing grade G2.5 at 25,000RPM or U max. < 1gmm.
- For applicable Collet, Nut and Spanner, please refer to page D315~D317.

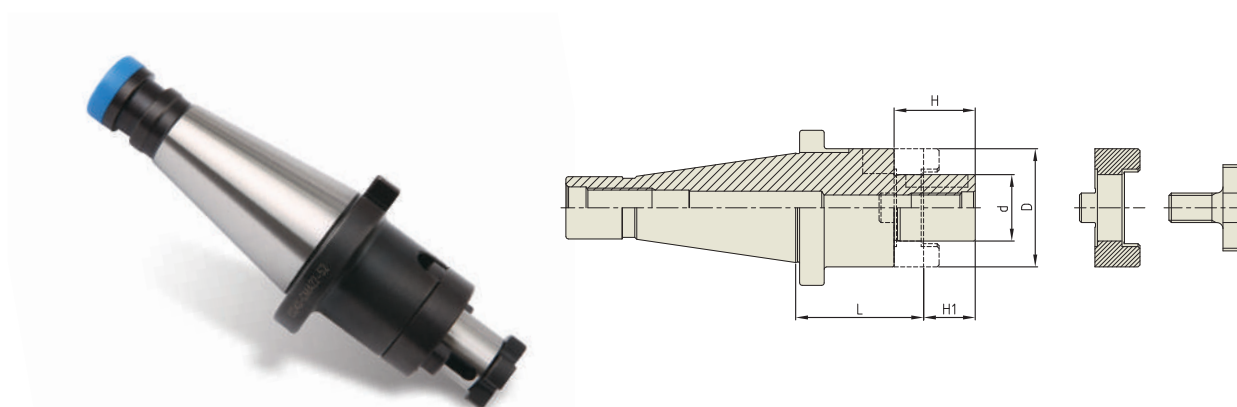


CMA

COMBI-SHELL MILL ARBOR

KOMBI-AUFNAHMEDORN FÜR FRÄSER MIT BOHRUNG
MANDRIN PORTE-FRAISES COMBINÉS
MANDRINO PORTA FRESE
PORTA FRESAS COMBINADO

DIN 2080 - ISO



Unit : mm								
TAPER No.	MODEL No.	EDP No.	d	L	D	H1	H	WEIGHT (Kg)
30	ISO30-CMA16-35	P2514001	16	35	32	17	27	0.52
	ISO30-CMA22-35	P2514002	22	35	40	19	31	0.63
	ISO30-CMA27-35	P2514003	27	35	48	21	33	0.72
40	ISO40-CMA16-52	P2514004	16	52	32	17	27	0.99
	ISO40-CMA16-125	P2514015	16	125	32	17	27	1.41
	ISO40-CMA22-52	P2514005	22	52	40	19	31	1.15
	ISO40-CMA22-125	P2514016	22	125	40	19	31	1.78
	ISO40-CMA27-52	P2514006	27	52	48	21	33	1.37
	ISO40-CMA27-125	P2514017	27	125	48	21	33	2.35
	ISO40-CMA32-52	P2514007	32	52	58	24	38	1.65
	ISO40-CMA32-125	P2514018	32	125	58	24	38	3.07
	ISO40-CMA40-52	P2514008	40	52	70	27	41	1.94
50	ISO50-CMA16-55	P2514009	16	55	32	17	27	2.79
	ISO50-CMA16-125	P2514019	16	125	32	17	27	3.21
	ISO50-CMA22-55	P2514010	22	55	40	19	31	2.95
	ISO50-CMA22-125	P2514020	22	125	40	19	31	3.6
	ISO50-CMA27-55	P2514011	27	55	48	21	33	3.17
	ISO50-CMA27-125	P2514021	27	125	48	21	33	4.11
	ISO50-CMA32-55	P2514012	32	55	58	24	38	3.49
	ISO50-CMA32-125	P2514022	32	125	58	24	38	4.85
	ISO50-CMA40-55	P2514013	40	55	70	27	41	3.85
	ISO50-CMA40-125	P2514023	40	125	70	27	41	5.26
	ISO50-CMA50-55	P2514014	50	55	90	30	46	4.88

- Inch type products are available.
- For parts, please refer to page D312.

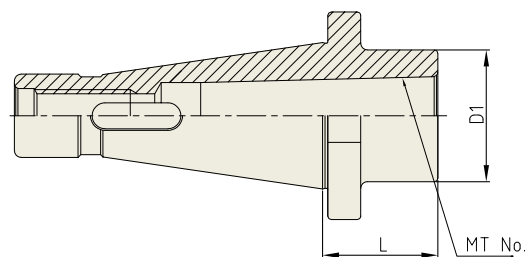
YG MORSE TAPER ARBOR

MTA

MORSE TAPER ARBOR

EINSATZHÜLSEN FÜR MORSEKEGEL
DOUILLES DE RÉDUCTION CÔNE MORSE
MANDRINO RIDUZIONE CONO MORSE
REDUCTORES A MORSE

ANSI B5.18-NT



Unit : mm

TAPER No.	MODEL No.	EDP No.	MT No.	RANGE OF DRILL		D1	L	DRAW THREAD	WEIGHT (Kg)
				Min.	Max.				
40	NT40-MTA1-30	P2542051	1	2.0	14.0	25	30	U5/8-11(M16x2)	0.90
	NT40-MTA2-30	P2542052	2	14.1	23.0	32	30	U5/8-11(M16x2)	1.00
	NT40-MTA3-35	P2542053	3	23.1	32.0	40	35	U5/8-11(M16x2)	1.00
	NT40-MTA4-90	P2542054	4	32.1	50.0	50	90	U5/8-11(M16x2)	1.20
50	NT50-MTA1-30	P2542055	1	2.0	14.0	25	30	U1-8(M24x3)	3.50
	NT50-MTA2-30	P2542056	2	14.1	23.0	32	30	U1-8(M24x3)	3.50
	NT50-MTA3-30	P2542057	3	23.1	32.0	40	30	U1-8(M24x3)	3.50
	NT50-MTA4-45	P2542058	4	32.1	50.0	50	45	U1-8(M24x3)	3.50
	NT50-MTA5-105	P2542059	5	50.1	75.0	60	105	U1-8(M24x3)	4.00

▶ Inch type products are available.

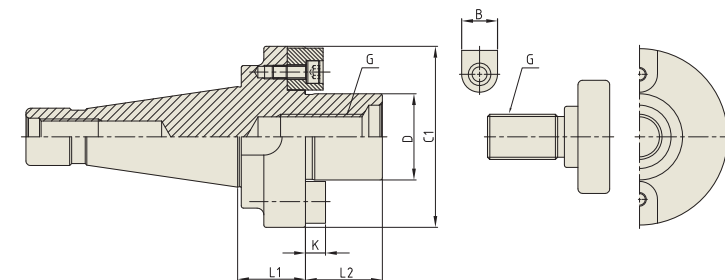
YG FACE MILL ARBOR

FMA

FACE MILL ARBOR

AUFNAHMEDORN FÜR MESSERKÖPFE
ARBRE PORTE FRAISE À ALÉSAGE
MANDRINO PORTA FRESE FRONTALE
EJE PARA PLATOS DE PLACAS

ANSI B5.18-NT



Unit : mm

TAPER No.	MODEL No.	EDP No.	CUTTER (Φ)	D	C1	L1	L2	B	K	G	DRAW THREAD	WEIGHT (kg)
40	NT40-FMA25.4-30	P2779251	3"(75)	25.4	50	30	22	9.52	4.8	M12	U5/8-11(M16x2)	1.45
	NT40-FMA31.75-30	P2779252	4"(100)	31.75	60	30	30	12.7	6.35	M16	U5/8-11(M16x2)	1.75
	NT40-FMA38.1-30	P2779253	5"(125)	38.1	80	30	34	15.87	7.8	M20	U5/8-11(M16x2)	1.93
	NT40-FMA50.8-30	P2779254	6"(150)	50.8	97.5	30	36	19.05	10.0	M24	U5/8-11(M16x2)	2.55
50	NT50-FMA25.4-30	P2779255	3"(75)	25.4	50	30	22	9.52	4.8	M12	U1-8(M24x3)	3.30
	NT50-FMA25.4-100	P2779317	3"(75)	25.4	50	100	22	9.52	4.8	M12	U1-8(M24x3)	4.38
	NT50-FMA25.4-150	P2779318	3"(75)	25.4	50	150	22	9.52	4.8	M12	U1-8(M24x3)	5.15
	NT50-FMA31.75-30	P2779256	4"(100)	31.75	60	30	30	12.7	6.35	M16	U1-8(M24x3)	3.40
	NT50-FMA31.75-100	P2779319	4"(100)	31.75	60	100	30	12.7	6.35	M16	U1-8(M24x3)	3.95
	NT50-FMA31.75-150	P2779320	4"(100)	31.75	60	150	30	12.7	6.35	M16	U1-8(M24x3)	6.06
	NT50-FMA38.1-30	P2779257	5"(125)	38.1	80	30	34	15.87	7.8	M20	U1-8(M24x3)	3.60
	NT50-FMA38.1-100	P2779321	5"(125)	38.1	80	100	34	15.87	7.8	M20	U1-8(M24x3)	6.36
	NT50-FMA38.1-150	P2779322	5"(125)	38.1	80	150	34	15.87	7.8	M20	U1-8(M24x3)	8.33
	NT50-FMA50.8-30	P2779258	6"(150)	50.8	97.5	30	36	19.05	10.0	M24	U1-8(M24x3)	3.90
	NT50-FMA50.8-100	P2779323	6"(150)	50.8	97.5	100	36	19.05	10.0	M24	U1-8(M24x3)	8.00
	NT50-FMA50.8-150	P2779324	6"(150)	50.8	97.5	150	36	19.05	10.0	M24	U1-8(M24x3)	10.93
	NT50-FMA47.625	P2779259	8"(200)	47.625	128.57	45	38	-	-	-	U1-8(M24x3)	4.90

▶ Without "Coolant Through".
▶ For parts, please refer to page D313.

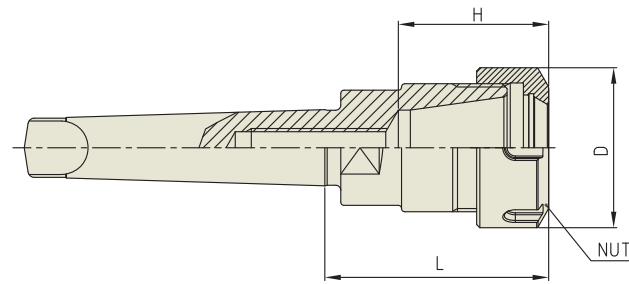
YG ER COLLET CHUCK

ER

ER COLLET CHUCK (STANDARD)

SPANN FUTTER - ER
MANDRIN À PINCES - ER
MANDRINO PORTA PINZE - ER
PORTAPINZAS - ER

DIN 228-MTA



Unit : mm

TAPER No.	MODEL No.	EDP No.	CLAMPING RANGE	L	D	H	NUT / COLLET	WEIGHT (Kg)
1	MTA1-ER11	P2772241	0.5 - 7.0	42.1	19	28.6	ER11	0.30
	MTA1-ER16	P2772242	0.5 - 10.0	43.9	28	36.6	ER16	0.35
2	MTA2-ER20	P2772243	0.5 - 13.0	50	34	40.5	ER20	0.50
	MTA2-ER25	P2772244	1.0 - 16.0	50	42	41	ER25	0.60
3	MTA3-ER25	P2772245	1.0 - 16.0	60	42	52	ER25	0.60
	MTA3-ER32	P2772246	1.0 - 20.0	70	50	47	ER32	0.65
4	MTA4-ER20	P2772247	0.5 - 13.0	60	34	50	ER20	1.00
	MTA4-ER25	P2772248	1.0 - 16.0	60	42	52	ER25	1.10
	MTA4-ER32	P2772249	1.0 - 20.0	65	50	48	ER32	1.30
	MTA4-ER40	P2772250	2.0 - 30.0	80	63	69	ER40	1.50
5	MTA5-ER32	P2772251	1.0 - 20.0	70	50	60	ER32	2.20
	MTA5-ER40	P2772252	2.0 - 30.0	80	63	69	ER40	2.40
	MTA5-ER50	P2772253	4.0 - 34.0	80	78	69	ER50	2.80

- ▶ For applicable ER collet, please refer to page D296~D304.
- ▶ For applicable ER nut, Sealing disk and Spanner, please refer to page D305~D309.

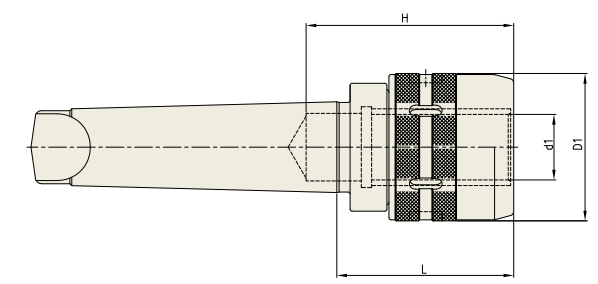
YG POWER MILLING CHUCK

C

POWER MILLING CHUCK

FRÄSERSPANNFUTTER
MANDRIN PORTE FRAISE
MANDRINI PORTA FRESA
PORTAHERRAMIENTAS PARA FRESADO

DIN 228-MTA



Unit : mm

TAPER No.	MODEL No.	EDP No.	d1	D1	L	H	WEIGHT (Kg)
4	MTA4-C32	P2546122	32	72	98	85	2.57
5	MTA5-C32	P2546123	32	72	85	100	3.06
	MTA5-C42	P2546124	42	92	114	100	3.45
6	MTA6-C42	P2546125	42	92	99	110	4.14

- ▶ Inch type products are available.
- ▶ In the case of MT6, it is required to inform machine model number and company name for selection of cutter groove.
- ▶ For applicable collet and spanner, please refer to the page D314.

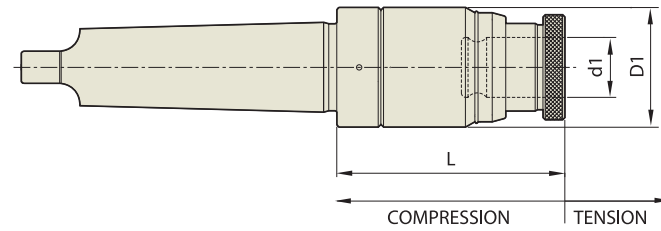


TC

TAPPING CHUCK

GEWINDESCHNEID-SCHNELLWECHSELFUTTER - GERADEAUS SCHAFT
 TARAUDER À CHANGEMENT RAPIDE - TOUT DROIT TIGE
 MANDRINO PER MASCHIARE - TIBIA DIRITTA
 PORTAMACHOS DE CAMBIO RAPIDO - CANA RECTA

DIN 228-MTA



Unit : mm

TAPER No.	MODEL No.	EDP No.	TAP SIZE	TAP ADAPTOR	LENGTH COMPENSATION		d1	D1	L	WEIGHT (Kg)
					Compression	Tension				
3	MTA3-TC12-90	P2774555	M3-M12	TCS12	5	15	19	45	90	1.00
	MTA3-TC24-115	P2774556	M6-M24	TCS24	5	20	31	63	115	2.00
4	MTA4-TC12-105	P2774557	M3-M12	TCS12	5	15	19	45	105	1.50
	MTA4-TC24-115	P2774558	M6-M24	TCS24	5	20	31	63	115	2.20
5	MTA5-TC12-145	P2774559	M3-M12	TCS12	5	15	19	45	145	1.50
	MTA5-TC24-175	P2774560	M6-M24	TCS24	5	20	31	63	175	2.60

► For applicable Tap Adaptor, please refer to page D318~D319.

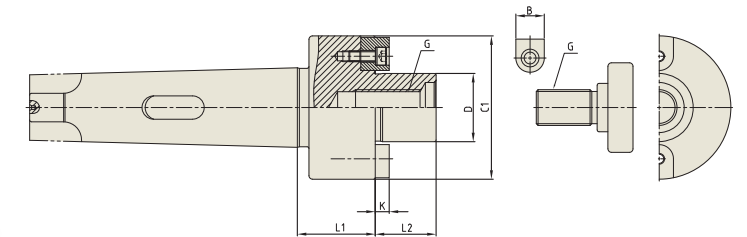
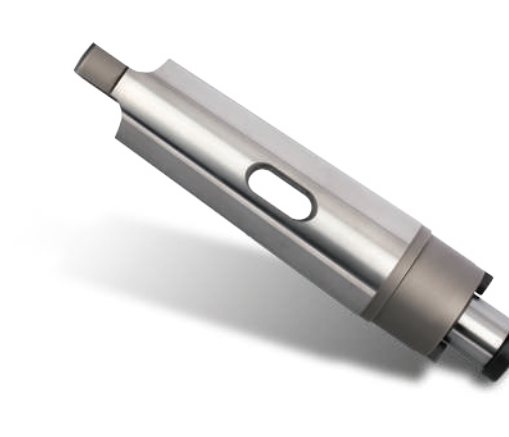


FMA

FACE MILL ARBOR

AUFNAHMEDORN FÜR MESSERKÖPFE
 ARBRE PORTE FRAISE À ALÉSAGE
 MANDRINO PORTA FRESE FRONTALE
 EJE PARA PLATOS DE PLACAS

DIN 228-MTA



Unit : mm

TAPER No.	MODEL No.	EDP No.	CUTTER (Φ)	D	C1	L1	L2	B	K	G	WEIGHT (kg)
5	MTA5-FMA25.4	P2779260	3"(75)	25.4	50	43.5	22	9.52	4.8	M12	1.60
	MTA5-FMA31.75	P2779261	4"(100)	31.75	60	43.5	30	12.7	6.35	M16	1.90
	MTA5-FMA38.1	P2779262	5"(125)	38.1	80	43.5	34	15.87	7.8	M20	2.20
6	MTA6-FMA25.4	P2779263	3"(75)	25.4	50	45	22	9.52	4.8	M12	3.50
	MTA6-FMA31.75	P2779264	4"(100)	31.75	60	45	30	12.7	6.35	M16	3.80
	MTA6-FMA38.1	P2779265	5"(125)	38.1	80	45	34	15.87	7.8	M20	4.10
	MTA6-FMA50.8	P2779266	6"(150)	50.8	100	45	36	19.05	10.0	M24	4.60
	MTA6-FMA47.625	P2779267	8"(200)	47.625	128.57	48	38	-	-	-	5.40

► Without "Coolant Through".

► For parts, please refer to page D313.

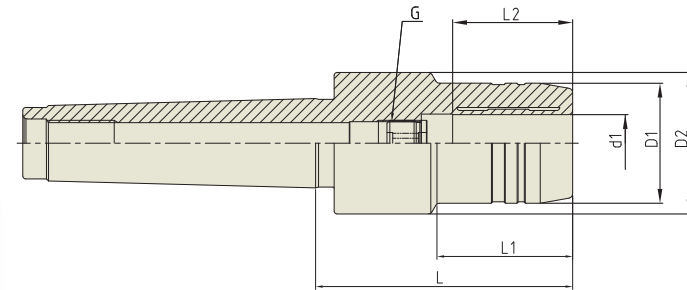
YG HYDRAULIC CHUCK

HC

HYDRAULIC CHUCK

HYDRAULIK SPANNFUTTER FÜR DEN FORMENBAU
MANDRIN HYDRAULIQUE POUR MOULISTE
MANDRINI IDRAULICI PER STAMPAGGIO
PORTAHERRAMIENTAS HIDRAULICO PARA MOLDES

DIN 228-MTB



Unit : mm

TAPER No.	MODEL No.	EDP No.	d1	D1	D2	L	L1	L2	G	WEIGHT (Kg)
4	MTB4-HC20-90	P2770961	20	42	49.5	90	47.5	42	M16×1.0	1.30
	MTB4-HC32-90	P2770962	32	72	72	90	-	55	-	1.40
5	MTB5-HC20-90	P2770963	20	42	49.5	90	47.5	42	M16×1.0	2.20
	MTB5-HC32-90	P2770964	32	72	72	90	-	55	M16×1.0	2.40

- ▶ Inch type products are available.
- ▶ T.I.R shall be controlled by less than 0.008mm at 3D.
- ▶ Supplied with clamping T-wrench.
- ▶ For applicable Hydraulic Chuck collet, please refer to page D291~D294.

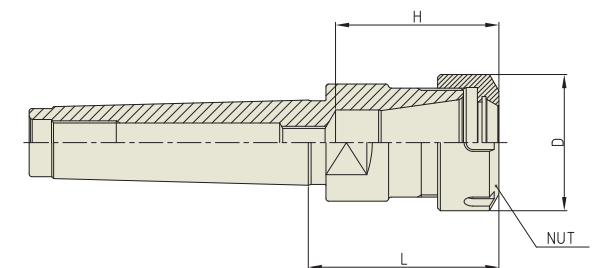
YG ER COLLET CHUCK

ER

ER COLLET CHUCK

SPANN FUTTER-ER
MANDRIN À PINCES-ER
MANDRINO PORTA PINZE-ER
PORTAPINZAS-ER

DIN 228-MTB



Unit : mm

TAPER No.	MODEL No.	EDP No.	CLAMPING RANGE	L	D	H	NUT / COLLET	WEIGHT (Kg)
1	MTB1-ER16	P2772254	0.5 - 10.0	43.9	28	36.6	ER16	0.35
2	MTB2-ER20	P2772255	0.5 - 13.0	50	34	40.5	ER20	0.50
	MTB2-ER25	P2772256	1.0 - 16.0	50	42	41	ER25	0.60
3	MTB3-ER25	P2772257	1.0 - 16.0	60	42	52	ER25	0.60
	MTB3-ER32	P2772258	1.0 - 20.0	70	50	47	ER32	0.65
4	MTB4-ER32	P2772259	1.0 - 20.0	65	50	48	ER32	1.10
	MTB4-ER40	P2772260	2.0 - 30.0	80	63	69	ER40	1.30
5	MTB5-ER32	P2772261	1.0 - 20.0	70	50	60	ER32	2.00
	MTB5-ER40	P2772262	2.0 - 30.0	80	63	69	ER40	2.20
	MTB5-ER50	P2772263	4.0 - 34.0	80	78	69	ER50	2.60

- ▶ For applicable ER collet, please refer to page D296~D304.
- ▶ For applicable ER nut, Sealing disk and Spanner, please refer to page D305~D309.

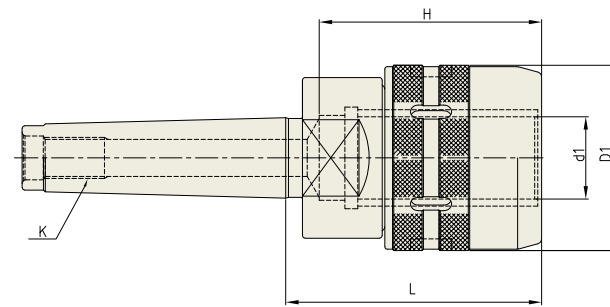
YG POWER MILLING CHUCK

C

POWER MILLING CHUCK

FRÄSERSPANNFUTTER
MANDRIN PORTE FRAISE
MANDRINI PORTA FRESA
PORTAHERRAMIENTAS PARA FRESADO

DIN 228-MTB



Unit : mm

TAPER No.	MODEL No.	EDP No.	d1	D1	L	H	K	WEIGHT (Kg)
3	MTB3-C20	P2546126	20	54	74	65	M12	2.10
4	MTB4-C32	P2546127	32	72	98	80	M16	2.57
5	MTB5-C32	P2546128	32	72	85	100	M20	3.06
	MTB5-C42	P2546129	42	92	114	100	M20	3.45

- ▶ Inch type products are available.
- ▶ In the case of MT6, it is required to inform machine model number and company name for selection of cutter groove.
- ▶ For applicable collet and spanner, please refer to the page D314.

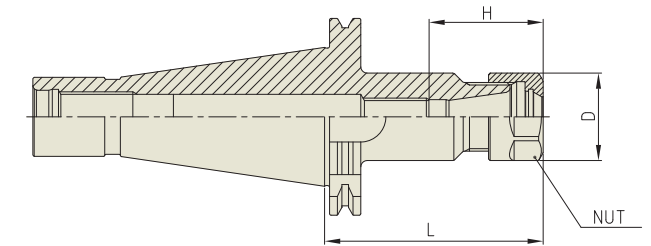
YG ER COLLET CHUCK

ER

ER COLLET CHUCK

SPANN FUTTER-ER
MANDRIN À PINCES-ER
MANDRINO PORTA PINZE-ER
PORTAPINZAS-ER

GOST 40/50



Unit : mm

TAPER No.	MODEL No.	EDP No.	CLAMPING RANGE	D	L	H	NUT / COLLET	WEIGHT (Kg)
40	GOST40-ER16-70	P2780101	0.5 - 10.0	28	70	45	ER16	-
	GOST40-ER16-100	P2780102	0.5 - 10.0	28	100	45	ER16	-
	GOST40-ER25-70	P2780103	1.0 - 16.0	42	70	65	ER25	-
	GOST40-ER25-100	P2780104	1.0 - 16.0	42	100	65	ER25	-
	GOST40-ER32-70	P2780105	1.0 - 20.0	50	70	65	ER32	-
	GOST40-ER32-100	P2780106	1.0 - 20.0	50	100	65	ER32	-
50	GOST50-ER16-90	P2780107	0.5 - 10.0	28	90	45	ER16	-
	GOST50-ER16-150	P2780108	0.5 - 10.0	28	150	45	ER16	-
	GOST50-ER25-90	P2780109	1.0 - 16.0	42	90	65	ER25	-
	GOST50-ER25-150	P2780110	1.0 - 16.0	42	150	65	ER25	-
	GOST50-ER32-90	P2780111	1.0 - 20.0	50	90	65	ER32	-
	GOST50-ER32-150	P2780112	1.0 - 20.0	50	150	65	ER32	-
	GOST50-ER40-90	P2780113	2.0 - 30.0	63	90	65	ER40	-

- ▶ For applicable ER collet, please refer to page D296~D304.
- ▶ For applicable ER nut, Sealing disk and Spanner, please refer to page D305~D309.

SK (DIN 69871)

CBT (BT DUAL CONTACT)

BT (JIS B6339/MAS 403)

HSK (DIN 69893/ISO 12164)

STRAIGHT

ISO, NT, MTA/MTB, GOST

TOOL HOLDER SET

BORING SYSTEM

ACCESSORY & PARTS

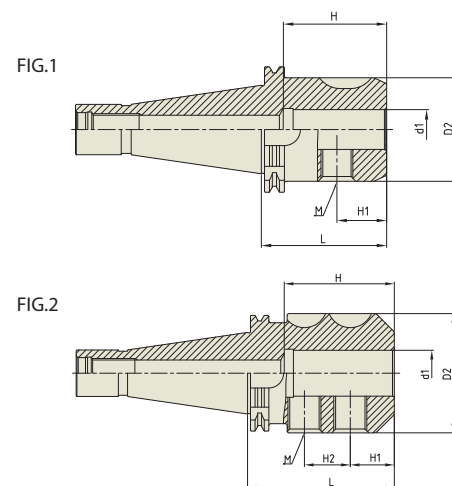
YG END MILL HOLDER

EMH

END MILL HOLDER

FRÄSERFUTTER UND FLÄCHENSPANNFUTTER
MANDRIN PORTE FRAISE À QUEUE CYLINDRIQUE, À MÉPLAT
MANDRINI PORTA FRESA TIPO WELDON
PORTAFRESAS Y EJES DE SUJECCION LATERAL

GOST 40/50



Unit : mm

TAPER No.	MODEL No.	EDP No.	d1	D2	L	H	H1	H2	M	FIG.	WEIGHT (Kg)
40	GOST40-EMH6-50	P2780361	6	25	50	35	18	-	M6	1	-
	GOST40-EMH8-50	P2780362	8	28	50	35	18	-	M8	1	-
	GOST40-EMH10-50	P2780363	10	35	50	35.5	20	-	M10	1	-
	GOST40-EMH12-50	P2780364	12	42	50	36	22.5	-	M12	1	-
	GOST40-EMH14-63	P2780365	14	44	63	36	22.5	-	M12	1	-
	GOST40-EMH16-63	P2780366	16	48	63	46	24	-	M14	1	-
	GOST40-EMH18-63	P2780367	18	50	63	46	24	-	M14	1	-
	GOST40-EMH20-63	P2780368	20	52	63	48	25	-	M16	1	-
	GOST40-EMH25-80	P2780369	25	65	80	55	24	25	M18	2	-
	GOST40-EMH32-80	P2780370	32	72	80	57	24	28	M20	2	-
50	GOST50-EMH6-63	P2780371	6	25	63	35	18	-	M6	1	-
	GOST50-EMH8-63	P2780372	8	28	63	35	18	-	M8	1	-
	GOST50-EMH10-63	P2780373	10	35	63	35.5	20	-	M10	1	-
	GOST50-EMH12-63	P2780374	12	42	63	36	22.5	-	M12	1	-
	GOST50-EMH14-63	P2780375	14	44	63	36	22.5	-	M12	1	-
	GOST50-EMH16-63	P2780376	16	48	63	46	24	-	M14	1	-
	GOST50-EMH18-63	P2780377	18	50	63	46	24	-	M14	1	-
	GOST50-EMH20-63	P2780378	20	52	63	48	25	-	M16	1	-
	GOST50-EMH25-80	P2780379	25	65	80	55	24	25	M18	2	-
	GOST50-EMH32-80	P2780380	32	72	80	63	24	28	M20	2	-
GOST50-EMH40-90	P2780381	40	80	90	68	30	32	M20	2	-	

- ▶ Inch type products are available.
- ▶ Standard End Mill Holder is for a cutting tool with weldon shank and End Mill Holder for a cutting tool with Whistle notch is available upon request.
- ▶ Combi-style Holder with ball jointed clamping screw which can be used with cutting tools with Weldon and Whistle notch shank is available.

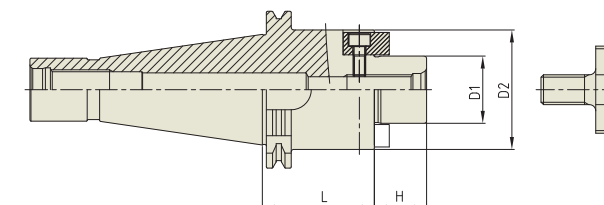
YG SHELL MILL ARBOR

SMA

SHELL MILL ARBOR

AUFNAHMEDORN FÜR FRÄSER MIT BOHRUNG
MANDRIN PORTE-FRAISES
MANDRINO CON TRASCINAMENTO FISSO
PORTA FRESAS

GOST 40/50



Unit : mm

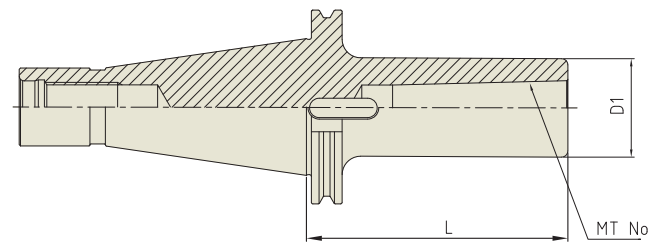
TAPER No.	MODEL No.	EDP No.	D1	D2	L	H	BOLT	WEIGHT (Kg)
40	GOST40-SMA16-40	P2780401	16	32	40	17	M8x16L	-
	GOST40-SMA16-100	P2780402	16	32	100	17	M8x16L	-
	GOST40-SMA22-40	P2780403	22	40	40	19	M10x18L	-
	GOST40-SMA22-100	P2780404	22	40	100	19	M10x18L	-
	GOST40-SMA27-45	P2780405	27	48	45	21	M12x22L	-
	GOST40-SMA32-45	P2780406	32	58	45	24	M16x26L	-
	50	GOST50-SMA16-40	P2780407	16	32	40	17	M8x16L
GOST50-SMA16-100		P2780408	16	32	100	17	M8x16L	-
GOST50-SMA22-40		P2780409	22	40	40	19	M10x18L	-
GOST50-SMA22-100		P2780410	22	40	100	19	M10x18L	-
GOST50-SMA27-45		P2780411	27	48	45	21	M12x22L	-
GOST50-SMA27-120		P2780412	27	48	120	21	M12x22L	-
GOST50-SMA32-45		P2780413	32	58	45	24	M16x26L	-
GOST50-SMA32-130		P2780414	32	58	130	24	M16x26L	-
GOST50-SMA40-55		P2780415	40	70	55	27	M20x30L	-
GOST50-SMA40-150		P2780416	40	70	150	27	M20x30L	-
GOST50-SMA50-60	P2780417	50	90	60	30	M24x36L	-	

▶ For parts, please refer to page D311.

MORSE TAPER ARBOR

EINSATZHÜLSEN FÜR MORSEKEGEL
DOUILLES DE RÉDUCTION CÔNE MORSE
MANDRINO RIDUZIONE CONO MORSE
REDUCTORES A MORSE

GOST 40/50



Unit : mm

TAPER No.	MODEL No.	EDP No.	MT No.	D1	L	WEIGHT (Kg)
40	GOST40-MTA1-115	P2780451	1	25	115	-
	GOST40-MTA2-125	P2780452	2	32	125	-
	GOST40-MTA3-145	P2780453	3	40	145	-
	GOST40-MTA4-165	P2780454	4	48	165	-
50	GOST50-MTA2-135	P2780455	2	32	135	-
	GOST50-MTA3-155	P2780456	3	40	155	-
	GOST50-MTA4-180	P2780457	4	48	180	-
	GOST50-MTA5-215	P2780458	5	63	215	-

YG-1 TOOLING SYSTEM

TOOL HOLDER SET



HYDRAULIC CHUCK

POWER MILLING CHUCK (STANDARD)

POWER MILLING CHUCK (QUICK CHANGE)

YIG HYDRAULIC CHUCK

HCS

HYDRAULIC CHUCK SET



MODEL No.	EDP No.	HYDRAULIC CHUCK	REDUCTION SLEEVE	WRENCH
HCSS40-20	P2770971	SK40AD/B-HC20P-64.5	HK20-6.8.10.12.16 (5pcs)	φ5mm
HCSB40-20	P2770972	BT40AD/B-HC20P-72.5	HK20-6.8.10.12.16 (5pcs)	φ5mm
HCSH40-20	P2770973	HSK63A-HC20P-80	HK20-6.8.10.12.16 (5pcs)	φ5mm

YIG POWER MILLING CHUCK

C

POWER MILLING CHUCK (STANDARD)

GEGENSTÜCK FÜR FRÄSERSPANNFUTTER
 ETUI AVEC PORTE-FRAISE ET CLEF
 CASSETTA COMPLETA DI MANDRINO, CHIAVE E PINZE
 ESTUCHE CON PORTAPINZAS, PINZAS Y LLAVE



TAPER	STANDARD SET MODEL No.	EDP No.	MILLING CHUCK	END MILL COLLET	SPANNER
SK	SSK40-C20	P2526031	SK40-C20-105	K20-6, 8, 10, 12, 16 (5pcs)	C20 SP
	SSK40-C32	P2773301	SK40-C32-105	K32-6, 8, 10, 12, 16, 20, 25 (7pcs)	C32 SP
	SSK50-C32	P2773302	SK50-C32-105	K32-6, 8, 10, 12, 16, 20, 25 (7pcs)	C32 SP
	SSK50-C42	P2773303	SK50-C42-115	K42-6, 8, 10, 12, 16, 20, 25, 32 (8pcs)	C42 SP
BT	SBT40-C20	P2546021	BT40-C20-105	K20-6, 8, 10, 12, 16 (5pcs)	C20 SP
	SBT40-C32	P2546022	BT40-C32-105	K32-6, 8, 10, 12, 16, 20, 25 (7pcs)	C32 SP
	SBT50-C32	P2546023	BT50-C32-105	K32-6, 8, 10, 12, 16, 20, 25 (7pcs)	C32 SP
	SBT50-C42	P2546024	BT50-C42-115	K42-6, 8, 10, 12, 16, 20, 25, 32 (8pcs)	C42 SP
ISO	SISO40-C20	P2516021	ISO40-C20-78	K20-6, 8, 10, 12, 16 (5pcs)	C20 SP
	SISO40-C32	P2516022	ISO40-C32-78	K32-6, 8, 10, 12, 16, 20, 25 (7pcs)	C32 SP
	SISO50-C32	P2516023	ISO50-C32-85	K32-6, 8, 10, 12, 16, 20, 25 (7pcs)	C32 SP
	SISO50-C42	P2516024	ISO50-C42-102	K42-6, 8, 10, 12, 16, 20, 25, 32 (8pcs)	C42 SP
NT	SNT40-C32	P2773304	NT40-C32	K32-6, 8, 10, 12, 16, 20, 25 (7pcs)	C32 SP
	SNT50-C32	P2773305	NT50-C32	K32-6, 8, 10, 12, 16, 20, 25 (7pcs)	C32 SP
	SNT50-C42	P2773306	NT50-C42	K42-6, 8, 10, 12, 16, 20, 25, 32 (8pcs)	C42 SP

SK (DIN 69871)

CBT (BT DUAL CONTACT)

BT (JIS B6339/MAS 403)

HSK (DIN 69893/ISO 12164)

STRAIGHT

ISO, NT, MTA/MTB, GOST

TOOL HOLDER SET

BORING SYSTEM

ACCESSORY & PARTS

POWER MILLING CHUCK (QUICK CHANGE)

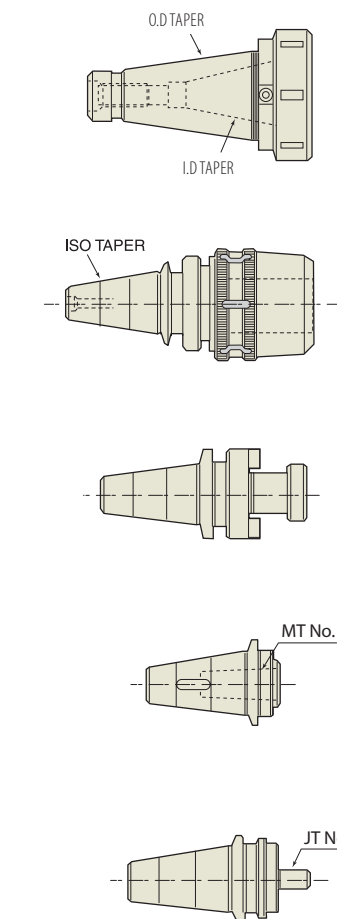
SCHNELLWECHSEL GEGENSTÜCK FÜR FRÄSERSPANNFUTTER
 CHANGEMENT RAPIDE ETUI AVEC PORTE-FRAISE ET CLEF
 CAMBIO RAPIDO CASSETTA COMPLETA DI MANDRINO, CHIAVE E PINZE
 CAMBIO RAPIDO ESTUCHE CON PORTAPINZAS, PINZAS Y LLAVE



TAPER	Q.C MILLING HOLDER SET MODEL No.	EDP No.	Q.C MASTER HOLDER	Q.C MILLING CHUCK	END MILL COLLETS	Q.C FACE MILL ARBOR	Q.C DRILL CHUCK BAR	DRILL CHUCK ARBOR	Q.C TAPER SLEEVE	SPANNER
NT40	SMH40-T35-32A	P2773307	MH40-T35	QT35-32	K32-(6-25)(7pcs)	QT35-4R	-	K32-J6	-	MH40 SP
	SMH40-T35-32B	P2773308	MH40-T35	QT35-32	K32-(6-25)(7pcs)	QT35-4R	QT35-J6	-	QT35-MT2, 3, 4	MH40 SP
NT50	SMH50-T45-32A	P2773309	MH50-T45	QT45-32	K32-(6-25)(7pcs)	QT45-5R	-	K32-J6	-	MH50 SP
	SMH50-T45-32B	P2773310	MH50-T45	QT45-32	K32-(6-25)(7pcs)	QT45-5R	QT45-J6	-	QT45-MT2, 3, 4	MH50 SP
	SMH50-T45-42A	P2773311	MH50-T45	QT45-42	K42-(6-32)(8pcs)	QT45-5R	-	K42-J6	-	MH50 SP
	SMH50-T45-42B	P2773312	MH50-T45	QT45-42	K42-(6-32)(8pcs)	QT45-5R	QT45-J6	-	QT45-MT2, 3, 4	MH50 SP

YG-1 TOOLING SYSTEM

BORING SYSTEM



◆ Q.C MASTER HOLDER

MODEL No.	EDP No.	O.D TAPER	I.D TAPER	DRAW THREADS
MH40-T35	P2773313	NT40	NT35	U5/8-11(M16-2)
MH50-T45	P2773314	NT50	NT45	U1-8 (M24-3)

◆ Q.C MILLING CHUCK

Q.C MASTER HOLDER	MODEL No.	EDP No.
MH40	QT35-C32	P2773315
MH50	QT45-C32	P2773316
MH50	QT45-C42	P2773317

◆ Q.C FACE MILL ARBOR

Q.C MASTER HOLDER	MODEL No.	EDP No.
MH40	QT35-3R	P2773318
	QT35-4R	P2773319
	QT35-5R	P2773320
MH50	QT45-3R	P2773321
	QT45-4R	P2773322
	QT45-5R	P2773323
	QT45-6R	P2773324

◆ Q.C TAPER SLEEVE

Q.C MASTER HOLDER	MODEL No.	EDP No.
MH40	QT35-MT1	P2773325
	QT35-MT2	P2773326
	QT35-MT3	P2773327
MH50	QT45-MT1	P2773328
	QT45-MT2	P2773329
	QT45-MT3	P2773330
	QT45-MT4	P2773331

◆ Q.C DRILL CHUCK ARBOR

Q.C MASTER HOLDER	MODEL No.	EDP No.	DRILL (Ø)
MH40	QT35-J6	P2773332	1-13mm
MH50	QT45-J6	P2773333	1-13mm



TECHNICAL INFORMATION (SMALL BORE)

BASIC HOLDER

FINE BORING HEAD & INSERT HOLDER

ROUGH BORING HEAD & CARTRIDGE

EXTENSION BAR

REDUCTION BAR

TYPICAL CONFIGURATION OF FINE BORING BAR

TYPICAL CONFIGURATION OF ROUGH BORING BAR

TECHNICAL INFORMATION (BIG BORE)

BASIC HOLDER (BIG BORE)

FINE BORING HEAD (BIG BORE)

PLATE & CARTRIDGE (BIG BORE)

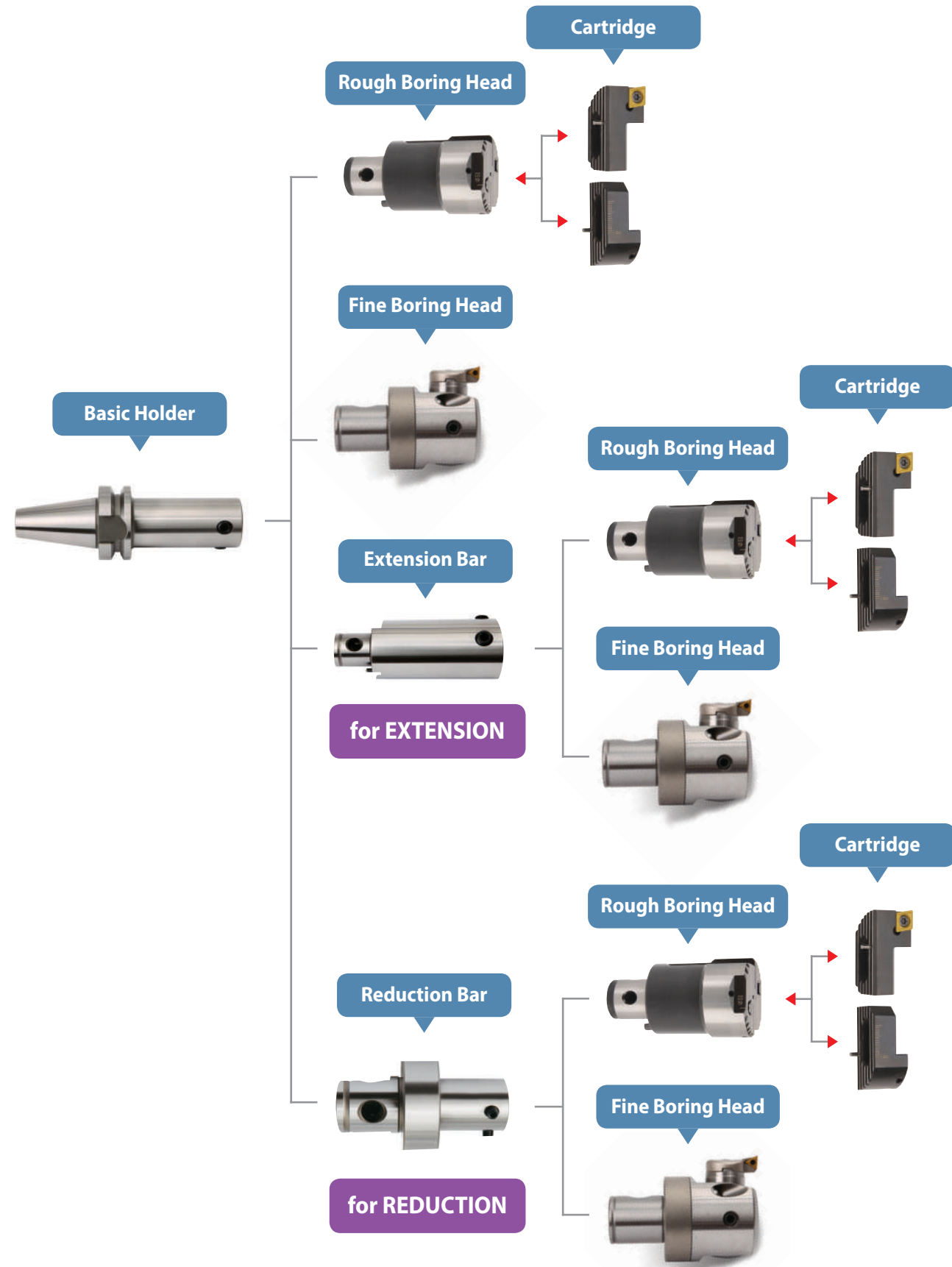
FINE BORING BAR (BIG BORE)

ROUGH BORING BAR (BIG BORE)

MICRO BORING BAR

SQUARE BORING BAR

FINE & ROUGH BORING BAR (SMALL BORE)



Fine Boring Range : 20mm~154mm



FEATURE

- Easy assembly and wide expandability
- Precise boring range adjustment by adjustment Dial with 1/100mm unit
- Ease to adjust length by employing modular system to use extension bar with various size
- Double rigid fixing of extension bar with
 - Side locking
 - Fixing pin inside
- Design to use insert conforming to ISO standard
- Basic Holder, Extension Bar and Reduction Bar interchangeable between Fine Boring Bar and Rough Boring Bar

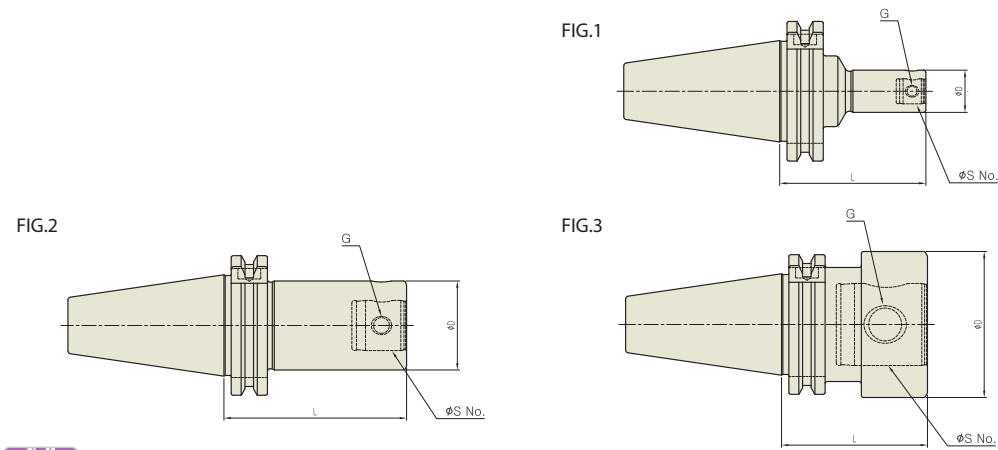
Rough Boring Range : 25mm~156mm



FEATURE

- Easy to replace head
- Extension Bar : Adjusting length according to machining conditions
- Reduction Bar : Adjusting boring range according to machining conditions
- Precision of extension, reduction, and repeatability of assembling and disassembling of Boring Head
- Using insert conforming to ISO standard
- Basic Holder, Extension Bar and Reduction Bar interchangeable between Fine Boring Bar and Rough Boring Bar

FINE & ROUGH BORING BAR (SMALL BORE)



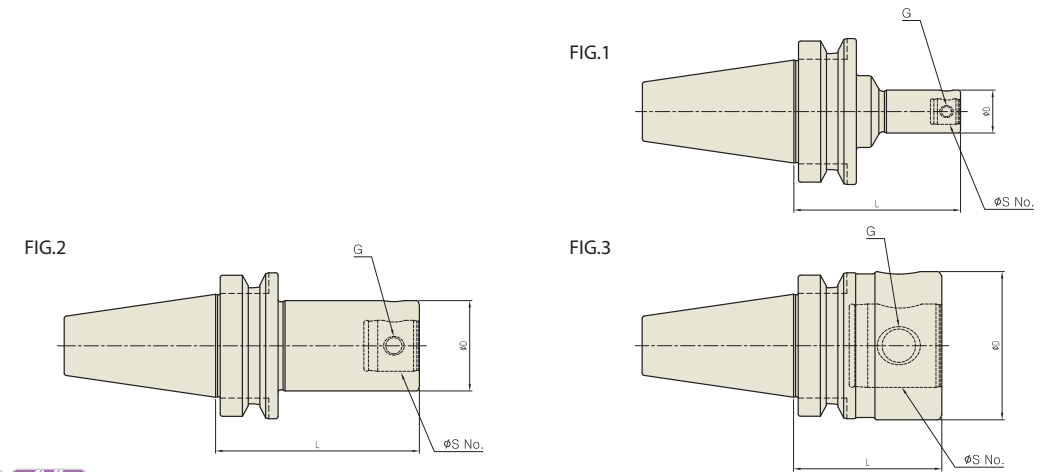
SK (DIN 69871/ISO 7388-1)

Unit : mm

TAPER No.	MODEL No.	EDP No.	S No.	D	L	G	FIG.	WEIGHT (Kg)
40	SK40-S11-72	P2900001	11	18.5	72	M5x0.8	1	-
	SK40-S14-42.5	P2900002	14	23.5	42.5	M5x0.8	2	-
	SK40-S14-82.5	P2900003	14	23.5	82.5	M5x0.8	2	-
	SK40-S18-44	P2900004	18	31	44	M8x1.0	2	-
	SK40-S18-94	P2900005	18	31	94	M8x1.0	2	-
	SK40-S22-43	P2900006	22	39	43	M8x1.0	2	-
	SK40-S22-88	P2900007	22	39	88	M8x1.0	2	-
	SK40-S28-48	P2900008	28	50	48	M10x1.0	2	-
	SK40-S36-64	P2900009	36	64	64	M16x1.5	3	-
	SK40-S46-95	P2900010	46	90	95	M16x1.5	3	-
50	SK50-S11-102	P2900011	11	18.5	102	M5x0.8	1	-
	SK50-S14-52.5	P2900012	14	23.5	52.5	M5x0.8	2	-
	SK50-S14-112.5	P2900013	14	23.5	112.5	M5x0.8	2	-
	SK50-S18-54	P2900014	18	31	54	M8x1.0	2	-
	SK50-S18-124	P2900015	18	31	124	M8x1.0	2	-
	SK50-S22-58	P2900016	22	39	58	M8x1.0	2	-
	SK50-S22-178	P2900017	22	39	178	M8x1.0	2	-
	SK50-S28-63	P2900018	28	50	63	M10x1.0	2	-
	SK50-S28-105	P2900019	28	50	105	M10x1.0	2	-
	SK50-S28-183	P2900020	28	50	183	M10x1.0	2	-
	SK50-S28-228	P2900021	28	50	228	M10x1.0	2	-
	SK50-S36-94	P2900022	36	64	94	M16x1.5	2	-
	SK50-S36-169	P2900023	36	64	169	M16x1.5	2	-
	SK50-S36-229	P2900024	36	64	229	M16x1.5	2	-
	SK50-S46-93	P2900025	46	90	93	M16x1.5	3	-
	SK50-S46-243	P2900026	46	90	243	M16x1.5	3	-

- ▶ The Basic Holder interchangeable between Fine Boring and Rough Boring bar.
- ▶ The Basic Holder, Boring Head & Insert Holder must be ordered separately.

FINE & ROUGH BORING BAR (SMALL BORE)



BT (JIS B6339/MAS403/ISO 7388-2)

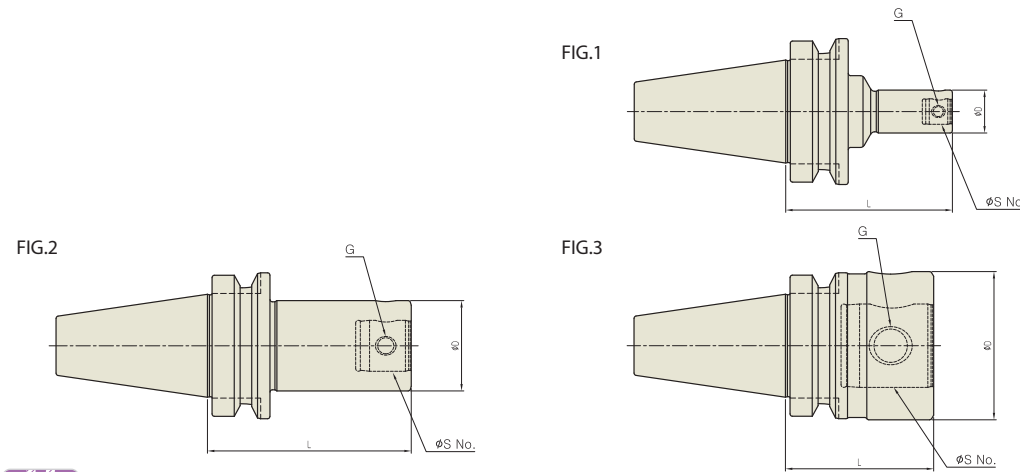
Unit : mm

TAPER No.	MODEL No.	EDP No.	S No.	D	L	G	FIG.	WEIGHT (Kg)
30	BT30-S11-72	P2901001	11	18.5	72	M5x0.8	1	-
	BT30-S14-37.5	P2901002	14	23.5	37.5	M5x0.8	2	-
	BT30-S14-82.5	P2901003	14	23.5	82.5	M5x0.8	2	-
	BT30-S18-39	P2901004	18	31	39	M8x1.0	2	-
	BT30-S18-79	P2901005	18	31	79	M8x1.0	2	-
	BT30-S22-38	P2901006	22	39	38	M8x1.0	2	-
	BT30-S22-73	P2901007	22	39	73	M8x1.0	2	-
	BT30-S28-63	P2901008	28	50	63	M10x1.0	3	-
	BT40-S11-72	P2901009	11	18.5	72	M5x0.8	2	-
	BT40-S14-42.5	P2901010	14	23.5	42.5	M5x0.8	2	-
40	BT40-S14-82.5	P2901011	14	23.5	82.5	M5x0.8	2	-
	BT40-S18-44	P2901012	18	31	44	M8x1.0	2	-
	BT40-S18-94	P2901013	18	31	94	M8x1.0	2	-
	BT40-S22-43	P2901014	22	39	43	M8x1.0	2	-
	BT40-S22-88	P2901015	22	39	88	M8x1.0	2	-
	BT40-S28-48	P2901016	28	50	48	M10x1.0	2	-
	BT40-S28-79	P2901017	28	50	79	M10x1.0	2	-
	BT40-S36-64	P2901018	36	64	64	M16x1.5	3	-
	BT40-S46-90	P2901019	46	90	90	M16x1.5	3	-

- ▶ The Basic Holder interchangeable between Fine Boring and Rough Boring bar.
- ▶ The Basic Holder, Boring Head & Insert Holder must be ordered separately.

▶ NEXT PAGE

FINE & ROUGH BORING BAR (SMALL BORE)



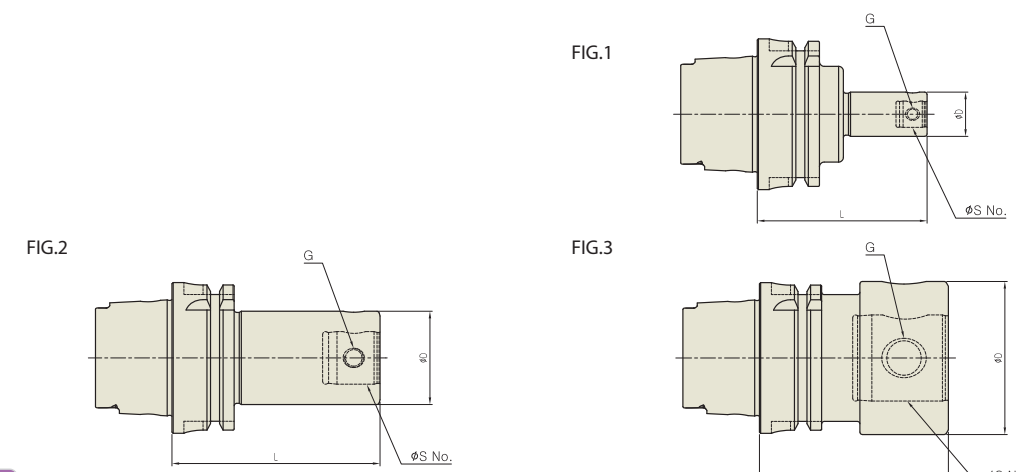
BT (JIS B6339/MAS403/ISO 7388-2)

Unit : mm

TAPER No.	MODEL No.	EDP No.	S No.	D	L	G	FIG.	WEIGHT (Kg)
50	BT50-S11-102	P2901020	11	18.5	102	M5x0.8	1	-
	BT50-S14-52.5	P2901021	14	23.5	52.5	M5x0.8	2	-
	BT50-S14-112.5	P2901022	14	23.5	112.5	M5x0.8	2	-
	BT50-S18-54	P2901023	18	31	54	M8x1.0	2	-
	BT50-S18-124	P2901024	18	31	124	M8x1.0	2	-
	BT50-S22-58	P2901025	22	39	58	M8x1.0	2	-
	BT50-S22-118	P2901026	22	39	118	M8x1.0	2	-
	BT50-S22-178	P2901027	22	39	178	M8x1.0	2	-
	BT50-S28-63	P2901028	28	50	63	M10x1.0	2	-
	BT50-S28-108	P2901029	28	50	108	M10x1.0	2	-
	BT50-S28-183	P2901030	28	50	183	M10x1.0	2	-
	BT50-S28-228	P2901031	28	50	228	M10x1.0	2	-
	BT50-S36-94	P2901032	36	64	94	M16x1.5	2	-
	BT50-S36-169	P2901033	36	64	169	M16x1.5	2	-
	BT50-S36-229	P2901034	36	64	229	M16x1.5	2	-
	BT50-S46-93	P2901035	46	90	93	M16x1.5	2	-
	BT50-S46-243	P2901036	46	90	243	M16x1.5	2	-

- ▶ The Basic Holder interchangeable between Fine Boring and Rough Boring bar.
- ▶ The Basic Holder, Boring Head & Insert Holder must be ordered separately.

FINE & ROUGH BORING BAR (SMALL BORE)



HSK-A (DIN 69893/ISO 12164)

Unit : mm

TAPER No.	MODEL No.	EDP No.	S No.	D	L	G	FIG.	WEIGHT (Kg)
40A	HSK40A-S11-72.5	P2902001	11	18.5	72.5	M5x0.8	2	-
	HSK40A-S14-39.5	P2902002	14	23.5	39.5	M5x0.8	2	-
	HSK40A-S14-84.5	P2902003	14	23.5	84.5	M5x0.8	2	-
	HSK40A-S18-45	P2902004	18	31	45	M8x1.0	2	-
	HSK40A-S18-80	P2902005	18	31	80	M8x1.0	2	-
	HSK40A-S22-53	P2902006	22	39	53	M8x1.0	3	-
	HSK40A-S22-73	P2902007	22	39	73	M8x1.0	3	-
50A	HSK50A-S11-72.5	P2902008	11	18.5	72.5	M5x0.8	2	-
	HSK50A-S14-84.5	P2902009	14	23.5	84.5	M5x0.8	2	-
	HSK50A-S18-80	P2902010	18	31	80	M8x1.0	2	-
	HSK50A-S22-73	P2902011	22	39	73	M8x1.0	3	-
	HSK50A-S28-83	P2902012	28	50	83	M10x1.0	3	-
63A	HSK63A-S11-77.5	P2902013	11	18.5	77.5	M5x0.8	2	-
	HSK63A-S14-89.5	P2902014	14	23.5	89.5	M5x0.8	2	-
	HSK63A-S18-100	P2902015	18	31	100	M8x1.0	2	-
	HSK63A-S22-93	P2902016	22	39	93	M8x1.0	2	-
	HSK63A-S28-83	P2902017	28	50	83	M10x1.0	2	-
	HSK63A-S36-79	P2902018	36	64	79	M16x1.5	3	-
	HSK63A-S46-100	P2902019	46	90	100	M16x1.5	3	-
100A	HSK100A-S11-102.5	P2902020	11	18.5	102.5	M5x0.8	1	-
	HSK100A-S14-114.5	P2902021	14	23.5	114.5	M5x0.8	1	-
	HSK100A-S18-125	P2902022	18	31	125	M8x1.0	1	-
	HSK100A-S22-118	P2902023	22	39	118	M8x1.0	2	-
	HSK100A-S22-178	P2902024	22	39	178	M8x1.0	2	-
	HSK100A-S28-108	P2902025	28	50	108	M10x1.0	2	-
	HSK100A-S28-183	P2902026	28	50	183	M10x1.0	2	-
	HSK100A-S28-228	P2902027	28	50	228	M10x1.0	2	-
	HSK100A-S36-94	P2902028	36	64	94	M16x1.5	2	-
	HSK100A-S36-169	P2902029	36	64	169	M16x1.5	2	-
	HSK100A-S36-229	P2902030	36	64	229	M16x1.5	2	-
	HSK100A-S46-123	P2902031	46	90	123	M16x1.5	2	-
	HSK100A-S46-273	P2902032	46	90	273	M16x1.5	2	-

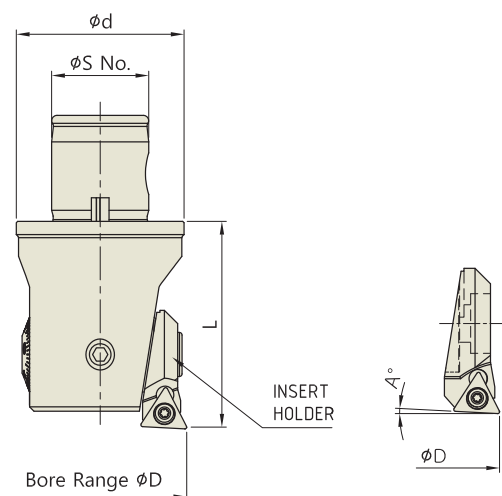
- ▶ The Basic Holder interchangeable between Fine Boring and Rough Boring bar.
- ▶ The Basic Holder, Boring Head & Insert Holder must be ordered separately.

YG FINE BORING HEAD & INSERT HOLDER

PART

FINE BORING BAR (SMALL BORE)

FEINBOHRHALTER
ALÉSAGE PROFOND
BARRE DI ALESATURA FINE
BARRA DE MANDRINADO FINO



◆ FINE BORING HEAD

Unit : mm

HEAD	EDP No.	INSERT HOLDER	BORE RANGE (ØD)	S No.	d	L
S11-FBH20-24	P2903001	FBH20-1	Ø20~24	11	18.5	32.5
S14-FBH24-31	P2903002	FBH24-1	Ø23.9~31.1	14	23.5	35
S18-FBH31-40	P2903003	FBH31-1	Ø30.9~40.1	18	30	40
S22-FBH40-51	P2903004	FBH40-1	Ø39.9~51.1	22	38	47
S28-FBH51-67	P2903005	FBH51-1	Ø50.9~67.1	28	49	57
S36-FBH67-125	P2903006	FBH6787-1	Ø66.9~87.1	36	64	71
		FBH6787-2	Ø84.9~105.1			
		FBH6787-3	Ø104.9~125.1			
S46-FBH87-154	P2903007	FBH6787-1	Ø86.9~116.1	46	90	87
		FBH6787-2	Ø104.9~134.1			
		FBH6787-3	Ø124.9~154.1			

◆ FINE BORING INSERT HODER

Unit : mm

Model No.	EDP No.	BORE RANGE (ØD)	A°	INSERT	INSERT SCREW	TORX WRENCH
FBH20-1	P2904001	20~24	0	TPGH0802□□	FTNA0204	T06
FBH24-1	P2904002	23.9~31.1	0			
FBH31-1	P2904003	30.9~40.1	0			
FBH40-1	P2904004	39.9~51.1	3			
FBH51-1	P2904005	50.9~67.1	3			
FBH6787-1	P2904006	66.9~87.1	3	TPGH1103□□	FTNA0307	T09
		86.9~116.1				
FBH6787-2	P2904007	84.9~105.1	3			
		104.9~134.1				
FBH6787-3	P2904008	104.9~125.1	3			
		124.9~154.1				

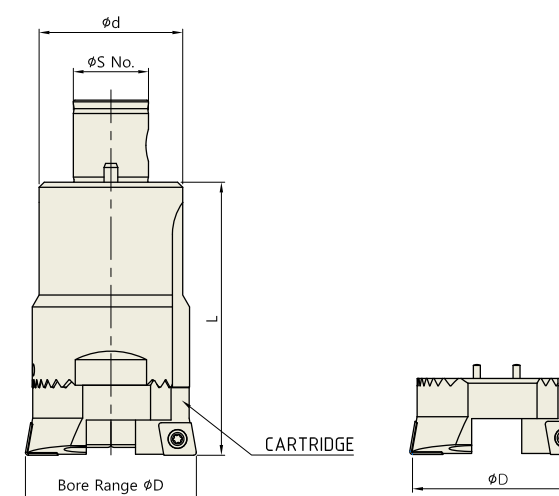
- ▶ The Insert Holder Clamp Screw is supplied with Boring Head.
- ▶ The Insert Screw is supplied with Insert Holder.
- ▶ The Torx Wrench should be ordered. Please contact us to purchase this wrench.
- ▶ The Boring Head & Insert Holder must be ordered separately.
- ▶ CC type inserts (CC06, CC09) are available.

YG ROUGH BORING HEAD & CARTRIDGE

PART

ROUGH BORING BAR (SMALL BORE)

DOPPELBOHRHALTER
BARRE D'ALÉSAGE JUMEAUX
BARRE DI ALESATURA GEMELLO
BARRA DE MANDRINAR MELLIZO



◆ ROUGH BORING HEAD

Unit : mm

HEAD	EDP No.	CARTRIDGE	BORE RANGE (ØD)	S No.	d	L
S11-TBH25-34	P2905001	TBH25-34	Ø25~34	11	22	50
S18-TBH34-51	P2905002	TBH34-43N	Ø34~43	18	31	60
		TBH42-51N	Ø42~51			
S22-TBH50-77	P2905003	TBH50-64N	Ø50~64	22	42	80
		TBH63-77N	Ø63~77			
S36-TBH76-116	P2905004	TBH76-97N	Ø76~97	36	65	110
		TBH95-116N	Ø95~116			
S46-TBH115-156	P2905005	TBH115-136N	Ø115~136	46	90	105
		TBH135-156N	Ø135~156			

◆ ROUGH BORING CARTRIDGE

Unit : mm

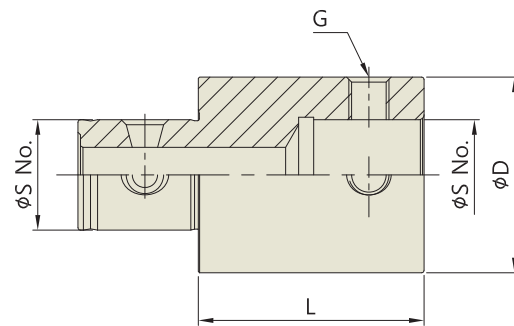
Model No.	EDP No.	BORE RANGE (ØD)	INSERT	INSERT SCREW	TORX WRENCH
TBH25-34	P2906001	25~34	CCMT0602□□	FTKA02565	T07
TBH34-43N	P2906002	34~43	CCMT0602□□	FTKA02565	T07
TBH42-51N	P2906006	42~51			
TBH50-64N	P2906003	50~64	CCMT09T3□□	FTNA0408	T15
TBH63-77N	P2906007	63~77			
TBH76-97N	P2906004	76~97	CCMT1204□□	FTNA0513	T20
TBH95-116N	P2906008	95-116			
TBH115-136N	P2906005	115~136			
TBH135-156N	P2906009	135~156	CCMT1204□□	FTNA0513	T20

- ▶ The Cartridge Clamp Screw is supplied with Boring Head.
- ▶ The Insert Screw is supplied with Cartridge.
- ▶ The Torx Wrench should be ordered. Please contact us to purchase this wrench.
- ▶ The Boring Head & Insert Holder must be ordered separately.

Y/G EXTENSION BAR

PART

FINE & ROUGH BORING BAR (SMALL BORE)



Unit : mm

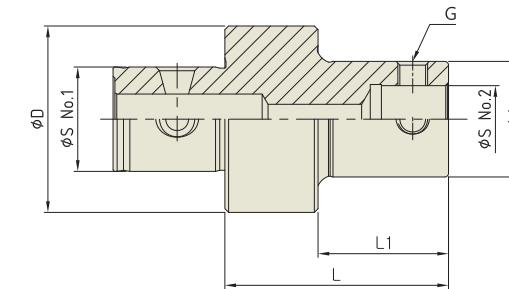
MODEL No.	EDP No.	S No.	D	L	G	WEIGHT (Kg)
E-S11-30	P2907001	11	19	30	M5x0.8	-
E-S14-30	P2907002	14	24	30	M5x0.8	-
E-S18-30	P2907003	18	31	30	M8x1.0	-
E-S22-45	P2907004	22	39	45	M8x1.0	-
E-S28-60	P2907005	28	50	60	M10x1.0	-
E-S28-90	P2907006	28	50	90	M10x1.0	-
E-S36-60	P2907007	36	64	60	M16x1.5	-
E-S36-100	P2907008	36	64	100	M16x1.5	-
E-S46-105	P2907009	46	90	105	M16x1.5	-

► Extends projection length by insertion between Basic Holder & Boring Head.

Y/G REDUCTION BAR

PART

FINE & ROUGH BORING BAR (SMALL BORE)



Unit : mm

MODEL No.	EDP No.	S No.1	S No.2	D	d	L	L1	G	WEIGHT (Kg)
R-S14-S11-30	P2908001	14	11	24	19	30	20	M5x0.8	-
R-S18-S11-30	P2908002	18	11	31	19	30	20	M5x0.8	-
R-S18-S14-30	P2908003	18	14	31	24	30	20	M5x0.8	-
R-S22-S11-45	P2908004	22	11	39	19	45	25	M5x0.8	-
R-S22-S14-45	P2908005	22	14	39	24	45	25	M5x0.8	-
R-S22-S18-45	P2908006	22	18	39	31	45	25	M8x1.0	-
R-S28-S11-60	P2908007	28	11	50	19	60	35	M5x0.8	-
R-S28-S14-60	P2908008	28	14	50	24	60	35	M5x0.8	-
R-S28-S18-60	P2908009	28	18	50	31	60	35	M8x1.0	-
R-S28-S22-60	P2908010	28	22	50	39	60	35	M8x1.0	-
R-S36-S11-60	P2908011	36	11	64	19	60	35	M5x0.8	-
R-S36-S14-60	P2908012	36	14	64	24	60	35	M5x0.8	-
R-S36-S18-60	P2908013	36	18	64	31	60	35	M8x1.0	-
R-S36-S22-60	P2908014	36	22	64	39	60	35	M8x1.0	-
R-S36-S28-60	P2908015	36	28	64	50	60	35	M10x1.0	-
R-S46-S11-105	P2908016	46	11	90	19	105	75	M5x0.8	-
R-S46-S14-105	P2908017	46	14	90	24	105	75	M5x0.8	-
R-S46-S18-105	P2908018	46	18	90	31	105	75	M8x1.0	-
R-S46-S22-105	P2908019	46	22	90	39	105	75	M8x1.0	-
R-S46-S28-105	P2908020	46	28	90	50	105	75	M10x1.0	-
R-S46-S36-105	P2908021	46	36	90	64	105	75	M16x1.5	-

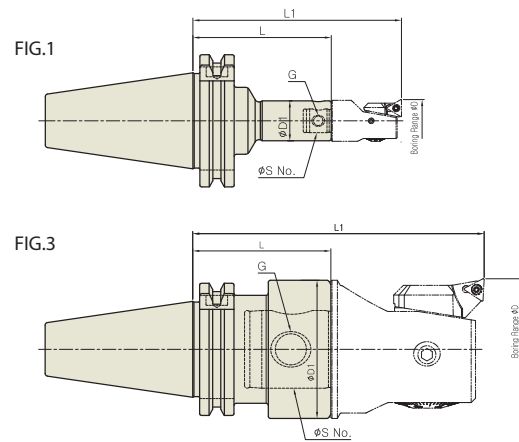
► Reduces the connection sizes to use smaller Boring Head.

YG TYPICAL CONFIGURATION OF FINE BORING BAR

FBH

FINE BORING BAR (SMALL BORE)

FEINBOHRHALTER
 BARRE D'ALÉSAGE FIN
 BARRE DI ALESATURA FINE
 BARRA DE MANDRINADO FINO



SK (DIN 69871/ISO 7388-1)

Unit : mm

TAPER No.	BASIC HOLDER	FINE BORING HEAD	INSERT HOLDER	BORE RANGE (ØD)	S No.	D1	L	L1	G	FIG.	WEIGHT (Kg)
40	SK40-S11-72	S11-FBH20-24	FBH20-1	Ø20 ~ Ø24	11	18.5	72	104.5	M5x0.8	1	-
	SK40-S14-42.5	S14-FBH24-31	FBH24-1	Ø23.9 ~ Ø31.1	14	23.5	42.5	77.5	M5x0.8	2	-
	SK40-S14-82.5	S14-FBH24-31	FBH24-1	Ø23.9 ~ Ø31.1	14	23.5	82.5	117.5	M5x0.8	2	-
	SK40-S18-44	S18-FBH31-40	FBH31-1	Ø30.9 ~ Ø40.1	18	31	44	84	M8x1.0	2	-
	SK40-S18-94	S18-FBH31-40	FBH31-1	Ø30.9 ~ Ø40.1	18	31	94	134	M8x1.0	2	-
	SK40-S22-43	S22-FBH40-51	FBH40-1	Ø39.9 ~ Ø51.1	22	39	43	90	M8x1.0	2	-
	SK40-S22-88	S22-FBH40-51	FBH40-1	Ø39.9 ~ Ø51.1	22	39	88	135	M8x1.0	2	-
	SK40-S28-48	S28-FBH51-67	FBH51-1	Ø50.9 ~ Ø67.1	28	50	48	105	M10x1.0	2	-
	SK40-S36-64	S36-FBH67-125	FBH6787-1	Ø66.9 ~ Ø87.1	36	64	64	135	M16x1.5	3	-
			FBH6787-2	Ø84.9 ~ Ø105.1							-
			FBH6787-3	Ø104.9 ~ Ø125.1							-
	SK40-S46-95	S46-FBH87-154	FBH6787-1	Ø86.9 ~ Ø116.1	46	90	95	177	M16x1.5	3	-
			FBH6787-2	Ø104.9 ~ Ø134.1							-
			FBH6787-3	Ø124.9 ~ Ø154.1							-

- ▶ This is for help selecting Fine Boring Head & Insert Holder.
- ▶ The Insert Holder Clamp Screw is supplied with Boring Head.
- ▶ The Insert Screw is supplied with Insert Holder.
- ▶ The Torx Wrench should be ordered. Please contact us to purchase this wrench.
- ▶ The Basic Holder, Boring Head & Insert Holder must be ordered separately.
- ▶ The L, L1 dimensions in the table are the reference values when Boring Head and Insert Holder are mounted.

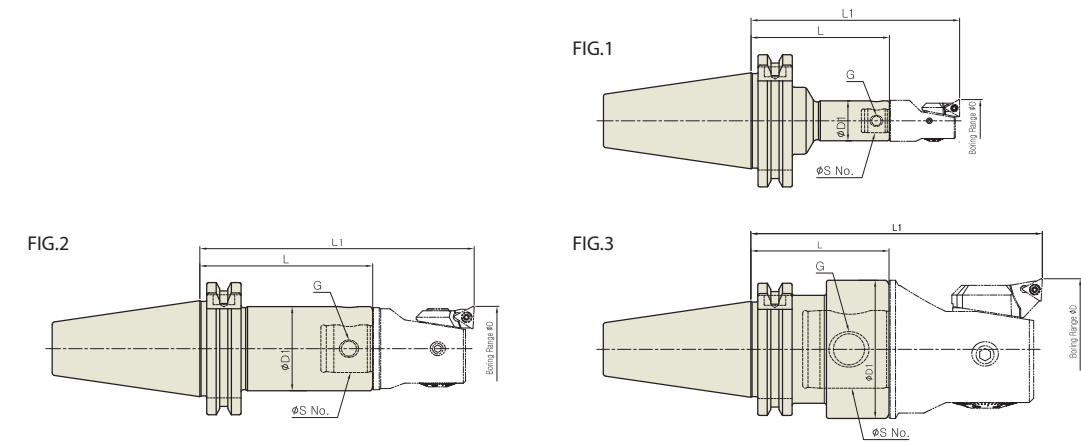
▶ NEXT PAGE

YG TYPICAL CONFIGURATION OF FINE BORING BAR

FBH

FINE BORING BAR (SMALL BORE)

FEINBOHRHALTER
 BARRE D'ALÉSAGE FIN
 BARRE DI ALESATURA FINE
 BARRA DE MANDRINADO FINO



SK (DIN 69871/ISO 7388-1)

Unit : mm

TAPER No.	BASIC HOLDER	FINE BORING HEAD	INSERT HOLDER	BORE RANGE (ØD)	S No.	D1	L	L1	G	FIG.	WEIGHT (Kg)
50	SK50-S11-102	S11-FBH20-24	FBH20-1	Ø20 ~ Ø24	11	18.5	102	134.5	M5x0.8	1	-
	SK50-S14-52.5	S14-FBH24-31	FBH24-1	Ø23.9 ~ Ø31.1	14	23.5	52.5	87.5	M5x0.8	2	-
	SK50-S14-112.5	S14-FBH24-31	FBH24-1	Ø23.9 ~ Ø31.1	14	23.5	112.5	147.5	M5x0.8	2	-
	SK50-S18-54	S18-FBH31-40	FBH31-1	Ø30.9 ~ Ø40.1	18	31	54	94	M8x1.0	2	-
	SK50-S18-124	S18-FBH31-40	FBH31-1	Ø30.9 ~ Ø40.1	18	31	124	164	M8x1.0	2	-
	SK50-S22-58	S22-FBH40-51	FBH40-1	Ø39.9 ~ Ø51.1	22	39	58	105	M8x1.0	2	-
	SK50-S22-178	S22-FBH40-51	FBH40-1	Ø39.9 ~ Ø51.1	22	39	178	225	M8x1.0	2	-
	SK50-S28-63	S28-FBH51-67	FBH51-1	Ø50.9 ~ Ø67.1	28	50	63	120	M10x1.0	2	-
	SK50-S28-105	S28-FBH51-67	FBH51-1	Ø50.9 ~ Ø67.1	28	50	105	162	M10x1.0	2	-
	SK50-S28-183	S28-FBH51-67	FBH51-1	Ø50.9 ~ Ø67.1	28	50	183	240	M10x1.0	2	-
	SK50-S28-228	S28-FBH51-67	FBH51-1	Ø50.9 ~ Ø67.1	28	50	228	285	M10x1.0	2	-
	SK50-S36-94	S36-FBH67-125	FBH6787-1	Ø66.9 ~ Ø87.1	36	64	94	165	M16x1.5	2	-
			FBH6787-2	Ø84.9 ~ Ø105.1							-
			FBH6787-3	Ø104.9 ~ Ø125.1							-
SK50-S36-169	S36-FBH67-125	FBH6787-1	Ø66.9 ~ Ø87.1	36	64	169	240	M16x1.5	2	-	
		FBH6787-2	Ø84.9 ~ Ø105.1							-	
		FBH6787-3	Ø104.9 ~ Ø125.1							-	
SK50-S36-229	S36-FBH67-125	FBH6787-1	Ø66.9 ~ Ø87.1	36	64	229	300	M16x1.5	2	-	
		FBH6787-2	Ø84.9 ~ Ø105.1							-	
		FBH6787-3	Ø104.9 ~ Ø125.1							-	
SK50-S46-93	S46-FBH87-154	FBH6787-1	Ø86.9 ~ Ø116.1	46	90	93	180	M16x1.5	3	-	
		FBH6787-2	Ø104.9 ~ Ø134.1							-	
		FBH6787-3	Ø124.9 ~ Ø154.1							-	
SK50-S46-243	S46-FBH87-154	FBH6787-1	Ø86.9 ~ Ø116.1	46	90	243	330	M16x1.5	3	-	
		FBH6787-2	Ø104.9 ~ Ø134.1							-	
		FBH6787-3	Ø124.9 ~ Ø154.1							-	

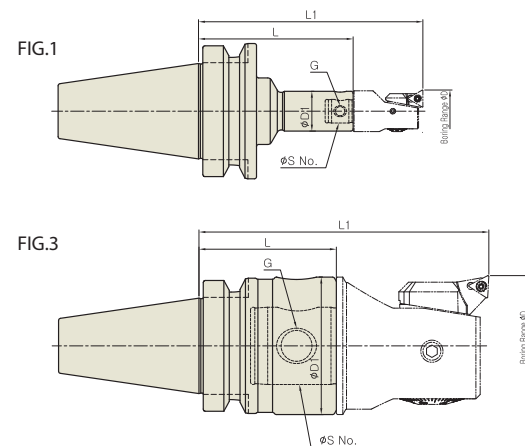
- ▶ This is for help selecting Fine Boring Head & Insert Holder.
- ▶ The Insert Holder Clamp Screw is supplied with Boring Head.
- ▶ The Insert Screw is supplied with Insert Holder.
- ▶ The Torx Wrench should be ordered. Please contact us to purchase this wrench.
- ▶ The Basic Holder, Boring Head & Insert Holder must be ordered separately.
- ▶ The L, L1 dimensions in the table are the reference values when Boring Head and Insert Holder are mounted.

TYPICAL CONFIGURATION OF FINE BORING BAR

FBH

FINE BORING BAR (SMALL BORE)

FEINBOHRHALTER
 BARRE D'ALÉSAGE FIN
 BARRE DI ALESATURA FINE
 BARRA DE MANDRINADO FINO



BT (JIS B6339/MAS 403/ISO 7388-2)

Unit : mm

TAPER No.	BASIC HOLDER	FINE BORING HEAD	INSERT HOLDER	BORE RANGE (ØD)	S No.	D1	L	L1	G	FIG.	WEIGHT (Kg)
30	BT30-S11-72	S11-FBH20-24	FBH20-1	Ø20 ~ Ø24	11	18.5	72	104.5	M5x0.8	1	-
	BT30-S14-37.5	S14-FBH24-31	FBH24-1	Ø23.9 ~ Ø31.1	14	23.5	37.5	72.5	M5x0.8	2	-
	BT30-S14-82.5	S14-FBH24-31	FBH24-1	Ø23.9 ~ Ø31.1	14	23.5	82.5	117.5	M5x0.8	2	-
	BT30-S18-39	S18-FBH31-40	FBH31-1	Ø30.9 ~ Ø40.1	18	31	39	79	M8x1.0	2	-
	BT30-S18-79	S18-FBH31-40	FBH31-1	Ø30.9 ~ Ø40.1	18	31	79	119	M8x1.0	2	-
	BT30-S22-38	S22-FBH40-51	FBH40-1	Ø39.9 ~ Ø51.1	22	39	38	85	M8x1.0	2	-
	BT30-S22-73	S22-FBH40-51	FBH40-1	Ø39.9 ~ Ø51.1	22	39	73	120	M8x1.0	2	-
	BT30-S28-63	S28-FBH51-67	FBH51-1	Ø50.9 ~ Ø67.1	28	50	63	120	M10x1.0	3	-
40	BT40-S11-72	S11-FBH20-24	FBH20-1	Ø20 ~ Ø24	11	18.5	72	104.5	M5x0.8	2	-
	BT40-S14-42.5	S14-FBH24-31	FBH24-1	Ø23.9 ~ Ø31.1	14	23.5	42.5	77.5	M5x0.8	2	-
	BT40-S14-82.5	S14-FBH24-31	FBH24-1	Ø23.9 ~ Ø31.1	14	23.5	82.5	117.5	M5x0.8	2	-
	BT40-S18-44	S18-FBH31-40	FBH31-1	Ø30.9 ~ Ø40.1	18	31	44	84	M8x1.0	2	-
	BT40-S18-94	S18-FBH31-40	FBH31-1	Ø30.9 ~ Ø40.1	18	31	94	134	M8x1.0	2	-
	BT40-S22-47	S22-FBH40-51	FBH40-1	Ø39.9 ~ Ø51.1	22	39	47	94	M8x1.0	2	-
	BT40-S22-88	S22-FBH40-51	FBH40-1	Ø39.9 ~ Ø51.1	22	39	88	135	M8x1.0	2	-
	BT40-S28-50	S28-FBH51-67	FBH51-1	Ø50.9 ~ Ø67.1	28	50	50	107	M10x1.0	2	-
40	BT40-S36-64	S36-FBH67-125	FBH6787-1	Ø66.9 ~ 87.1	36	64	64	135	M16x1.5	3	-
			FBH6787-2	Ø84.9 ~ 105.1							-
			FBH6787-3	Ø104.9 ~ 125.1							-
	BT40-S46-90	S46-FBH87-154	FBH6787-1	Ø86.9 ~ 116.1	46	90	90	177	M16x1.5	3	-
FBH6787-2	Ø104.9 ~ 134.1	-									
FBH6787-3	Ø124.9 ~ 154.1	-									

- ▶ This is for help selecting Fine Boring Head & Insert Holder.
- ▶ The Insert Holder Clamp Screw is supplied with Boring Head.
- ▶ The Insert Screw is supplied with Insert Holder.
- ▶ The Torx Wrench should be ordered. Please contact us to purchase this wrench.
- ▶ The Basic Holder, Boring Head & Insert Holder must be ordered separately.
- ▶ The L, L1 dimensions in the table are the reference values when Boring Head and Insert Holder are mounted.

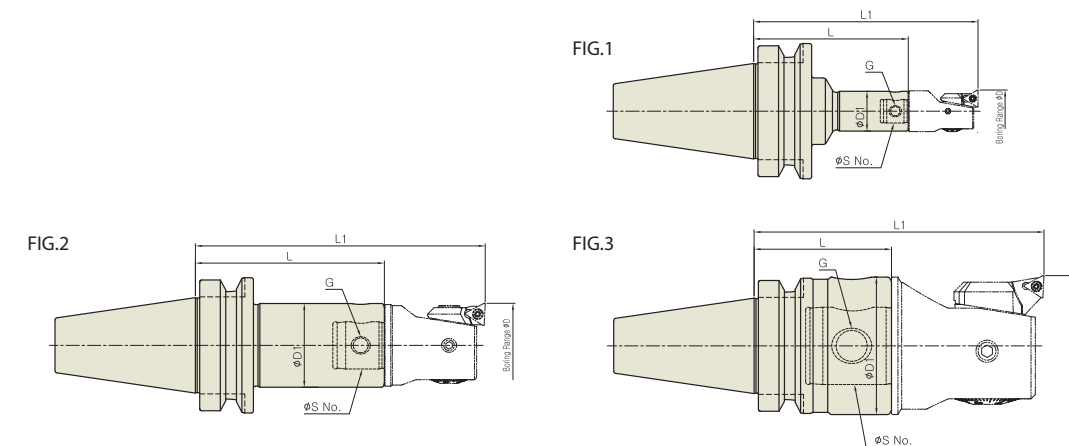
▶ NEXT PAGE

TYPICAL CONFIGURATION OF FINE BORING BAR

FBH

FINE BORING BAR (SMALL BORE)

FEINBOHRHALTER
 BARRE D'ALÉSAGE FIN
 BARRE DI ALESATURA FINE
 BARRA DE MANDRINADO FINO



BT (JIS B6339/MAS 403/ISO 7388-2)

Unit : mm

TAPER No.	BASIC HOLDER	FINE BORING HEAD	INSERT HOLDER	BORE RANGE (ØD)	S No.	D1	L	L1	G	FIG.	WEIGHT (Kg)	
50	BT50-S11-102	S11-FBH20-24	FBH20-1	Ø20 ~ Ø24	11	18.5	102	134.5	M5x0.8	1	-	
	BT50-S14-52.5	S14-FBH24-31	FBH24-1	Ø23.9 ~ Ø31.1	14	23.5	52.5	87.5	M5x0.8	2	-	
	BT50-S14-112.5	S14-FBH24-31	FBH24-1	Ø23.9 ~ Ø31.1	14	23.5	112.5	147.5	M5x0.8	2	-	
	BT50-S18-54	S18-FBH31-40	FBH31-1	Ø30.9 ~ Ø40.1	18	31	54	94	M8x1.0	2	-	
	BT50-S18-124	S18-FBH31-40	FBH31-1	Ø30.9 ~ Ø40.1	18	31	124	164	M8x1.0	2	-	
	BT50-S22-58	S22-FBH40-51	FBH40-1	Ø39.9 ~ Ø51.1	22	39	58	105	M8x1.0	2	-	
	BT50-S22-118	S22-FBH40-51	FBH40-1	Ø39.9 ~ Ø51.1	22	39	118	165	M8x1.0	2	-	
	BT50-S22-178	S22-FBH40-51	FBH40-1	Ø39.9 ~ Ø51.1	22	39	178	225	M8x1.0	2	-	
	BT50-S28-63	S28-FBH51-67	FBH51-1	Ø50.9 ~ Ø67.1	28	50	63	120	M10x1.0	2	-	
	BT50-S28-108	S28-FBH51-67	FBH51-1	Ø50.9 ~ Ø67.1	28	50	108	165	M10x1.0	2	-	
	BT50-S28-183	S28-FBH51-67	FBH51-1	Ø50.9 ~ Ø67.1	28	50	183	240	M10x1.0	2	-	
	BT50-S28-228	S28-FBH51-67	FBH51-1	Ø50.9 ~ Ø67.1	28	50	228	285	M10x1.0	2	-	
	50	BT50-S36-94	S36-FBH67-125	FBH6787-1	Ø66.9 ~ 87.1	36	64	94	165	M16x1.5	2	-
				FBH6787-2	Ø84.9 ~ 105.1							-
FBH6787-3				Ø104.9 ~ 125.1	-							
50	BT50-S36-169	S36-FBH67-125	FBH6787-1	Ø66.9 ~ 87.1	36	64	169	240	M16x1.5	2	-	
			FBH6787-2	Ø84.9 ~ 105.1							-	
			FBH6787-3	Ø104.9 ~ 125.1							-	
50	BT50-S36-229	S36-FBH67-125	FBH6787-1	Ø66.9 ~ 87.1	36	64	229	300	M16x1.5	2	-	
			FBH6787-2	Ø84.9 ~ 105.1							-	
			FBH6787-3	Ø104.9 ~ 125.1							-	
50	BT50-S46-93	S46-FBH87-154	FBH6787-1	Ø86.9 ~ 116.1	46	90	93	180	M16x1.5	2	-	
			FBH6787-2	Ø104.9 ~ 134.1							-	
			FBH6787-3	Ø124.9 ~ 154.1							-	
			FBH6787-1	Ø86.9 ~ 116.1							-	
50	BT50-S46-243	S46-FBH87-154	FBH6787-2	Ø104.9 ~ 134.1	46	90	243	330	M16x1.5	2	-	
			FBH6787-2	Ø104.9 ~ 134.1							-	
			FBH6787-3	Ø124.9 ~ 154.1							-	

- ▶ This is for help selecting Fine Boring Head & Insert Holder.
- ▶ The Insert Holder Clamp Screw is supplied with Boring Head.
- ▶ The Insert Screw is supplied with Insert Holder.
- ▶ The Torx Wrench should be ordered. Please contact us to purchase this wrench.
- ▶ The Basic Holder, Boring Head & Insert Holder must be ordered separately.
- ▶ The L, L1 dimensions in the table are the reference values when Boring Head and Insert Holder are mounted.

SK (DIN 69871)

CBT (BT DUAL CONTACT)

BT (JIS B6339/MAS 403)

HSK (DIN 69893/ISO 12164)

STRAIGHT

ISO, NT, MT/MTB, GOST

TOOL HOLDER SET

BORING SYSTEM

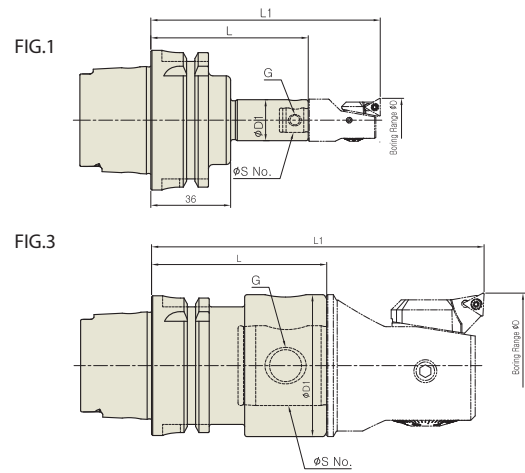
ACCESSORY & PARTS

YG TYPICAL CONFIGURATION OF FINE BORING BAR

FBH

FINE BORING BAR (SMALL BORE)

FEINBOHRHALTER
 BARRE D'ALÉSAGE FIN
 BARRE DI ALESATURA FINE
 BARRA DE MANDRINADO FINO



HSK-A (DIN 69893/ISO 12164)

Unit : mm

TAPER No.	BASIC HOLDER	FINE BORING HEAD	INSERT HOLDER	BORE RANGE (ØD)	S No.	D1	L	L1	G	FIG.	WEIGHT (Kg)	
40A	HSK40A-S11-72.5	S11-FBH20-24	FBH20-1	Ø20 ~ Ø24	11	18.5	72.5	104.5	M5x0.8	2	-	
	HSK40A-S14-39.5	S14-FBH24-31	FBH24-1	Ø23.9 ~ Ø31.1	14	23.5	39.5	74.5	M5x0.8	2	-	
	HSK40A-S14-84.5	S14-FBH24-31	FBH24-1	Ø23.9 ~ Ø31.1	14	23.5	84.5	119.5	M5x0.8	2	-	
	HSK40A-S18-45	S18-FBH31-40	FBH31-1	Ø30.9 ~ Ø40.1	18	31	45	85	M8x1.0	2	-	
	HSK40A-S18-80	S18-FBH31-40	FBH31-1	Ø30.9 ~ Ø40.1	18	31	80	120	M8x1.0	2	-	
	HSK40A-S22-53	S22-FBH40-51	FBH40-1	Ø39.9 ~ Ø51.1	22	39	53	100	M8x1.0	3	-	
	HSK40A-S22-73	S22-FBH40-51	FBH40-1	Ø39.9 ~ Ø51.1	22	39	73	120	M8x1.0	3	-	
50A	HSK50A-S11-72.5	S11-FBH20-24	FBH20-1	Ø20 ~ Ø24	11	18.5	72.5	104.5	M5x0.8	2	-	
	HSK50A-S14-84.5	S14-FBH24-31	FBH24-1	Ø23.9 ~ Ø31.1	14	23.5	84.5	119.5	M5x0.8	2	-	
	HSK50A-S18-80	S18-FBH31-40	FBH31-1	Ø30.9 ~ Ø40.1	18	31	80	120	M8x1.0	2	-	
	HSK50A-S22-73	S22-FBH40-51	FBH40-1	Ø39.9 ~ Ø51.1	22	39	73	120	M8x1.0	3	-	
	HSK50A-S28-83	S28-FBH51-67	FBH51-1	Ø50.9 ~ Ø67.1	28	50	83	140	M10x1.0	3	-	
63A	HSK63A-S11-77.5	S11-FBH20-24	FBH20-1	Ø20 ~ Ø24	11	18.5	77.5	110	M5x0.8	2	-	
	HSK63A-S14-89.5	S14-FBH24-31	FBH24-1	Ø23.9 ~ Ø31.1	14	23.5	89.5	124.5	M5x0.8	2	-	
	HSK63A-S18-100	S18-FBH31-40	FBH31-1	Ø30.9 ~ Ø40.1	18	31	100	140	M8x1.0	2	-	
	HSK63A-S22-93	S22-FBH40-51	FBH40-1	Ø39.9 ~ Ø51.1	22	39	93	140	M8x1.0	2	-	
	HSK63A-S28-83	S28-FBH51-67	FBH51-1	Ø50.9 ~ Ø67.1	28	50	83	140	M10x1.0	2	-	
	HSK63A-S36-79	S36-FBH67-125	FBH6787-1	Ø66.9 ~ Ø87.1	36	64	79	150	M16x1.5	3	-	-
			FBH6787-2	Ø84.9 ~ Ø105.1							-	-
			FBH6787-3	Ø104.9 ~ Ø125.1							-	-
	HSK63A-S46-100	S46-FBH87-154	FBH6787-1	Ø86.9 ~ Ø116.1	46	90	100	187	M16x1.5	3	-	-
			FBH6787-2	Ø104.9 ~ Ø134.1							-	-
FBH6787-3			Ø124.9 ~ Ø154.1	-							-	

- ▶ This is for help selecting Fine Boring Head & Insert Holder.
- ▶ The Insert Holder Clamp Screw is supplied with Boring Head.
- ▶ The Insert Screw is supplied with Insert Holder.
- ▶ The Torx Wrench should be ordered. Please contact us to purchase this wrench.
- ▶ The Basic Holder, Boring Head & Insert Holder must be ordered separately.
- ▶ The L, L1 dimensions in the table are the reference values when Boring Head and Insert Holder are mounted.

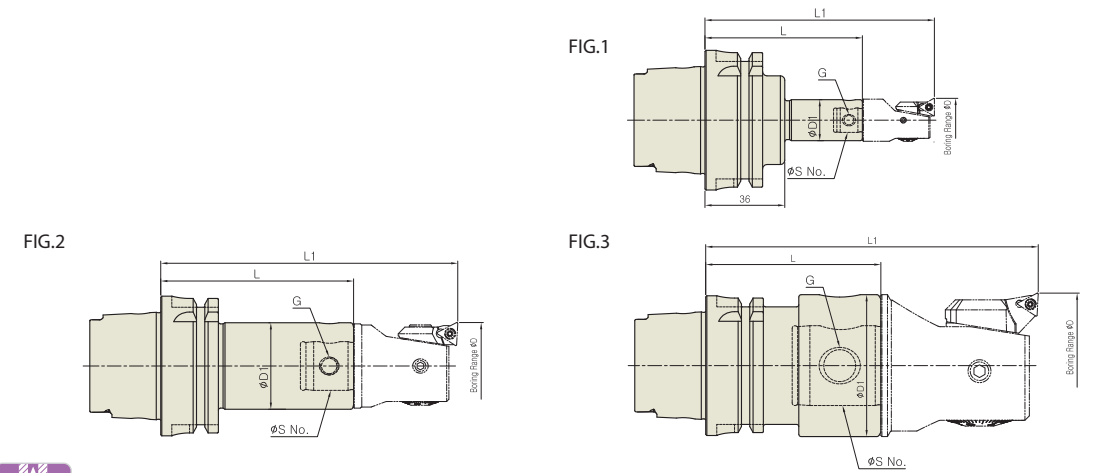
▶ NEXT PAGE

YG TYPICAL CONFIGURATION OF FINE BORING BAR

FBH

FINE BORING BAR (SMALL BORE)

FEINBOHRHALTER
 BARRE D'ALÉSAGE FIN
 BARRE DI ALESATURA FINE
 BARRA DE MANDRINADO FINO



HSK-A (DIN 69893/ISO 12164)

Unit : mm

TAPER No.	BASIC HOLDER	FINE BORING HEAD	INSERT HOLDER	BORE RANGE (ØD)	S No.	D1	L	L1	G	FIG.	WEIGHT (Kg)	
100A	HSK100A-S11-102.5	S11-FBH20-24	FBH20-1	Ø20 ~ Ø24	11	18.5	102.5	135	M5x0.8	1	-	
	HSK100A-S14-114.5	S14-FBH24-31	FBH24-1	Ø23.9 ~ Ø31.1	14	23.5	114.5	149.5	M5x0.8	1	-	
	HSK100A-S18-125	S18-FBH31-40	FBH31-1	Ø30.9 ~ Ø40.1	18	31	125	165	M8x1.0	1	-	
	HSK100A-S22-118	S22-FBH40-51	FBH40-1	Ø39.9 ~ Ø51.1	22	39	118	165	M8x1.0	2	-	
	HSK100A-S22-178	S22-FBH40-51	FBH40-1	Ø39.9 ~ Ø51.1	22	39	178	225	M8x1.0	2	-	
	HSK100A-S28-108	S28-FBH51-67	FBH51-1	Ø50.9 ~ Ø67.1	28	50	108	165	M10x1.0	2	-	
	HSK100A-S28-183	S28-FBH51-67	FBH51-1	Ø50.9 ~ Ø67.1	28	50	183	240	M10x1.0	2	-	
	HSK100A-S28-228	S28-FBH51-67	FBH51-1	Ø50.9 ~ Ø67.1	28	50	228	285	M10x1.0	2	-	
	HSK100A-S36-94	S36-FBH67-125	FBH6787-1	Ø66.9 ~ Ø87.1	36	64	94	165	M16x1.5	2	-	-
			FBH6787-2	Ø84.9 ~ Ø105.1							-	-
FBH6787-3			Ø104.9 ~ Ø125.1	-							-	
HSK100A-S36-169	S36-FBH67-125	FBH6787-1	Ø66.9 ~ Ø87.1	36	64	169	240	M16x1.5	2	-	-	
		FBH6787-2	Ø84.9 ~ Ø105.1							-	-	
		FBH6787-3	Ø104.9 ~ Ø125.1							-	-	
HSK100A-S36-229	S36-FBH67-125	FBH6787-1	Ø66.9 ~ Ø87.1	36	64	229	300	M16x1.5	2	-	-	
		FBH6787-2	Ø84.9 ~ Ø105.1							-	-	
		FBH6787-3	Ø104.9 ~ Ø125.1							-	-	
HSK100A-S46-123	S46-FBH87-154	FBH6787-1	Ø86.9 ~ Ø116.1	46	90	123	210	M16x1.5	2	-	-	
		FBH6787-2	Ø104.9 ~ Ø134.1							-	-	
		FBH6787-3	Ø124.9 ~ Ø154.1							-	-	
HSK100A-S46-273	S46-FBH87-154	FBH6787-1	Ø86.9 ~ Ø116.1	46	90	273	360	M16x1.5	2	-	-	
		FBH6787-2	Ø104.9 ~ Ø134.1							-	-	
		FBH6787-3	Ø124.9 ~ Ø154.1							-	-	

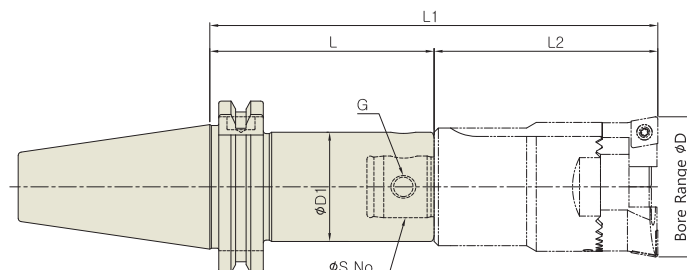
- ▶ This is for help selecting Fine Boring Head & Insert Holder.
- ▶ The Insert Holder Clamp Screw is supplied with Boring Head.
- ▶ The Insert Screw is supplied with Insert Holder.
- ▶ The Torx Wrench should be ordered. Please contact us to purchase this wrench.
- ▶ The Basic Holder, Boring Head & Insert Holder must be ordered separately.
- ▶ The L, L1 dimensions in the table are the reference values when Boring Head and Insert Holder are mounted.

YG TYPICAL CONFIGURATION OF ROUGH BORING BAR

TBH

ROUGH BORING BAR (SMALL BORE)

DOPPELBOHRHALTER
 BARRE D'ALÉSAGE JUMEAUX
 BARRE DI ALESATURA GEMELLO
 BARRA DE MANDRINAR MELLIZO



SK (DIN 69871)

Unit : mm

TAPER No.	BASIC HOLDER	ROUGH BORING HEAD	CARTRIDGE	BORE RANGE (ØD)	S No.	L1	L2	G	WEIGHT (Kg)
40	SK40-S11-72	S11-TBH25-34	TBH25-34	Ø25 ~ Ø34	11	112	50	M5x0.8	-
	SK40-S18-44	S18-TBH34-51	TBH34-43N	Ø34 ~ Ø43	18	104	60	M8x1.0	-
			TBH42-51N	Ø42 ~ Ø51					-
	SK40-S18-94	S18-TBH34-51	TBH34-43N	Ø34 ~ Ø43	18	154	60	M8x1.0	-
			TBH42-51N	Ø42 ~ Ø51					-
	SK40-S22-43	S22-TBH50-77	TBH50-64N	Ø50 ~ Ø64	22	123	80	M8x1.0	-
			TBH63-77N	Ø63 ~ Ø77					-
	SK40-S22-88	S22-TBH50-77	TBH50-64N	Ø50 ~ Ø64	22	168	80	M8x1.0	-
			TBH63-77N	Ø63 ~ Ø77					-
	SK40-S36-64	S36-TBH76-116	TBH76-97N	Ø76 ~ Ø97	36	174	110	M16x1.5	-
			TBH95-116N	Ø95 ~ Ø116					-
	SK40-S46-90	S46-TBH115-156	TBH115-136N	Ø115 ~ Ø136	46	195	105	M16x1.5	-
TBH135-156N			Ø135 ~ Ø156	-					
50	SK50-S11-102	S11-TBH25-34	TBH25-34	Ø25 ~ Ø34	11	152	50	M5x0.8	-
	SK50-S18-54	S18-TBH34-51	TBH34-43N	Ø34 ~ Ø43	18	114	60	M8x1.0	-
			TBH42-51N	Ø42 ~ Ø51					-
	SK50-S18-124	S18-TBH34-51	TBH34-43N	Ø34 ~ Ø43	18	184	60	M8x1.0	-
			TBH42-51N	Ø42 ~ Ø51					-
	SK50-S22-58	S22-TBH50-77	TBH50-64N	Ø50 ~ Ø64	22	138	80	M8x1.0	-
			TBH63-77N	Ø63 ~ Ø77					-
	SK50-S22-178	S22-TBH50-77	TBH50-64N	Ø50 ~ Ø64	22	258	80	M8x1.0	-
			TBH63-77N	Ø63 ~ Ø77					-
	SK50-S36-94	S36-TBH76-116	TBH76-97N	Ø76 ~ Ø97	36	204	110	M16x1.5	-
			TBH95-116N	Ø95 ~ Ø116					-
	SK50-S46-93	S46-TBH115-156	TBH115-136N	Ø115 ~ Ø136	46	198	105	M16x1.5	-
TBH135-156N			Ø135 ~ Ø156	-					

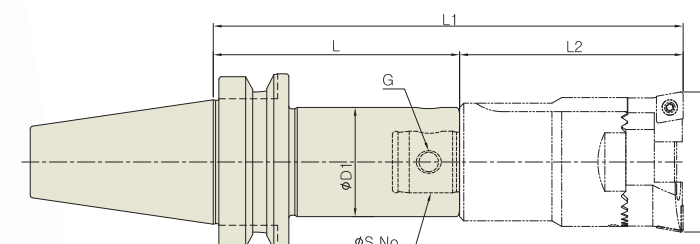
- ▶ This is for help selecting Rough Boring Head & Cartridge.
- ▶ The Cartridge Clamp Screw is supplied with Boring Head.
- ▶ The Insert Screw is supplied with Cartridge.
- ▶ The Torx Wrench should be ordered. Please contact us to purchase this wrench.
- ▶ The Basic Holder, Rough Boring Head & Cartridge must be ordered separately.
- ▶ The L1, L2 dimensions in the table are the reference values when Boring Head and Cartridge are mounted.

YG TYPICAL CONFIGURATION OF ROUGH BORING BAR

TBH

ROUGH BORING BAR (SMALL BORE)

DOPPELBOHRHALTER
 BARRE D'ALÉSAGE JUMEAUX
 BARRE DI ALESATURA GEMELLO
 BARRA DE MANDRINAR MELLIZO



BT (JIS B6339/MAS 403)

Unit : mm

TAPER No.	BASIC HOLDER	ROUGH BORING HEAD	CARTRIDGE	BORE RANGE (ØD)	S No.	L1	L2	G	WEIGHT (Kg)	
30	BT30-S11-72	S11-TBH25-34	TBH25-34	Ø25 ~ Ø34	11	122	50	M5x0.8	-	
	BT30-S18-39	S18-TBH34-51	TBH34-43N	Ø34 ~ Ø43	18	99	60	M8x1.0	-	
			TBH42-51N	Ø42 ~ Ø51					-	
	BT30-S18-79	S18-TBH34-51	TBH34-43N	Ø34 ~ Ø43	18	139	60	M8x1.0	-	
			TBH42-51N	Ø42 ~ Ø51					-	
	BT30-S22-38	S22-TBH50-77	TBH50-64N	Ø50 ~ Ø64	22	118	80	M8x1.0	-	
			TBH63-77N	Ø63 ~ Ø77					-	
	BT30-S22-73	S22-TBH50-77	TBH50-64N	Ø50 ~ Ø64	22	153	80	M8x1.0	-	
			TBH63-77N	Ø63 ~ Ø77					-	
	40	BT40-S11-72	S11-TBH25-34	TBH25-34	Ø25 ~ Ø34	11	122	50	M5x0.8	-
		BT40-S18-44	S18-TBH34-51	TBH34-43N	Ø34 ~ Ø43	18	104	60	M8x1.0	-
				TBH42-51N	Ø42 ~ Ø51					-
BT40-S18-94		S18-TBH34-51	TBH34-43N	Ø34 ~ Ø43	18	154	60	M8x1.0	-	
			TBH42-51N	Ø42 ~ Ø51					-	
BT40-S22-47		S22-TBH50-77	TBH50-64N	Ø50 ~ Ø64	22	127	80	M8x1.0	-	
			TBH63-77N	Ø63 ~ Ø77					-	
BT40-S22-88		S22-TBH50-77	TBH50-64N	Ø50 ~ Ø64	22	168	80	M8x1.0	-	
			TBH63-77N	Ø63 ~ Ø77					-	
BT40-S36-64		S36-TBH76-116	TBH76-97N	Ø76 ~ Ø97	36	174	110	M16x1.5	-	
			TBH95-116N	Ø95 ~ Ø116					-	
BT40-S36-64		S36-TBH115-156	TBH115-136N	Ø115 ~ Ø136	36	169	110	M16x1.5	-	
	TBH135-156N		Ø135 ~ Ø156	-						

- ▶ This is for help selecting Rough Boring Head & Cartridge.
- ▶ The Cartridge Clamp Screw is supplied with Boring Head.
- ▶ The Insert Screw is supplied with Cartridge.
- ▶ The Torx Wrench should be ordered. Please contact us to purchase this wrench.
- ▶ The Basic Holder, Rough Boring Head & Cartridge must be ordered separately.
- ▶ The L1, L2 dimensions in the table are the reference values when Boring Head and Cartridge are mounted.

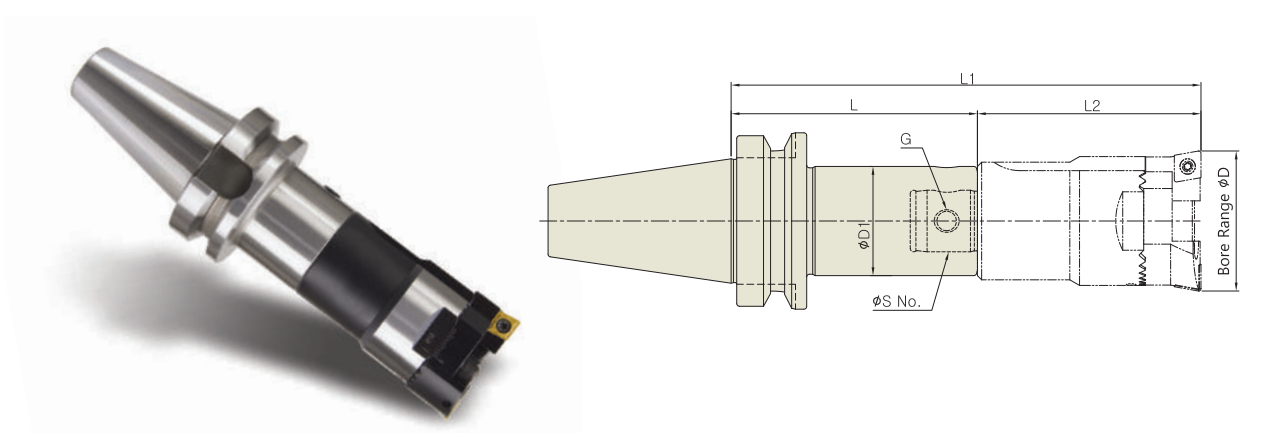
▶ NEXT PAGE

YIG TYPICAL CONFIGURATION OF ROUGH BORING BAR

TBH

ROUGH BORING BAR (SMALL BORE)

DOPPELBOHRHALTER
 BARRE D'ALÉSAGE JUMEAUX
 BARRE DI ALESATURA GEMELLO
 BARRA DE MANDRINAR MELLIZO



BT (JIS B6339/MAS 403)

Unit : mm

TAPER No.	BASIC HOLDER	ROUGH BORING HEAD	CARTRIDGE	BORE RANGE (ØD)	S No.	L1	L2	G	WEIGHT (Kg)
50	BT50-S11-102	S11-TBH25-34	TBH25-34	Ø25 ~ Ø34	11	152	50	M5x0.8	-
	BT50-S18-54	S18-TBH34-51	TBH34-43N	Ø34 ~ Ø43	18	114	60	M8x1.0	-
			TBH42-51N	Ø42 ~ Ø51					
	BT50-S18-124	S18-TBH34-51	TBH34-43N	Ø34 ~ Ø43	18	184	60	M8x1.0	-
			TBH42-51N	Ø42 ~ Ø51					
	BT50-S22-58	S22-TBH50-77	TBH50-64N	Ø50 ~ Ø64	22	138	80	M8x1.0	-
			TBH63-77N	Ø63 ~ Ø77					
	BT50-S22-118	S22-TBH50-77	TBH50-64N	Ø50 ~ Ø64	22	198	80	M8x1.0	-
			TBH63-77N	Ø63 ~ Ø77					
	BT50-S22-178	S22-TBH50-77	TBH50-64N	Ø50 ~ Ø64	22	258	80	M8x1.0	-
			TBH63-77N	Ø63 ~ Ø77					
	BT50-S36-94	S36-TBH76-116	TBH76-97N	Ø76 ~ Ø97	36	204	110	M16x1.5	-
			TBH95-116N	Ø95 ~ Ø116					
	BT50-S36-169	S36-TBH76-116	TBH76-97N	Ø76 ~ Ø97	36	179	110	M16x1.5	-
			TBH95-116N	Ø95 ~ Ø116					
	BT50-S36-229	S36-TBH76-116	TBH76-97N	Ø76 ~ Ø97	36	339	110	M16x1.5	-
			TBH95-116N	Ø95 ~ Ø116					
	BT50-S46-93	S46-TBH115-156	TBH115-136N	Ø115 ~ Ø136	46	198	105	M16x1.5	-
		TBH135-156N	Ø135 ~ Ø156						

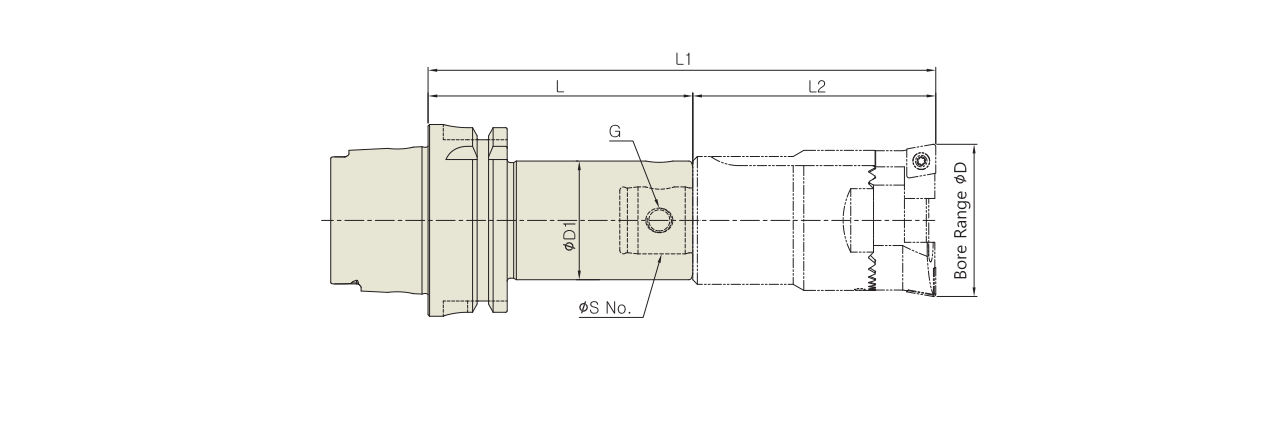
- ▶ This is for help selecting Rough Boring Head & Cartridge.
- ▶ The Cartridge Clamp Screw is supplied with Boring Head.
- ▶ The Insert Screw is supplied with Cartridge.
- ▶ The Torx Wrench should be ordered. Please contact us to purchase this wrench.
- ▶ The Basic Holder, Rough Boring Head & Cartridge must be ordered separately.
- ▶ The L1, L2 dimensions in the table are the reference values when Boring Head and Cartridge are mounted.

YIG TYPICAL CONFIGURATION OF ROUGH BORING BAR

TBH

ROUGH BORING BAR (SMALL BORE)

DOPPELBOHRHALTER
 BARRE D'ALÉSAGE JUMEAUX
 BARRE DI ALESATURA GEMELLO
 BARRA DE MANDRINAR MELLIZO



HSK (DIN 69893/ISO 12164)

Unit : mm

TAPER No.	BASIC HOLDER	ROUGH BORING HEAD	CARTRIDGE	BORE RANGE (ØD)	S No.	L1	L2	G	WEIGHT (Kg)	
40A	HSK40A-S11-72.5	S11-TBH25-34	TBH25-34	Ø25 ~ Ø34	11	122.5	50	M5x0.8	-	
	HSK40A-S18-45	S18-TBH34-51	TBH34-43N	Ø34 ~ Ø43	18	105	60	M8x1.0	-	
			TBH42-51N	Ø42 ~ Ø51						
	HSK40A-S18-80	S18-TBH34-51	TBH34-43N	Ø34 ~ Ø43	18	140	60	M8x1.0	-	
			TBH42-51N	Ø42 ~ Ø51						
	HSK40A-S22-53	S22-TBH50-77	TBH50-64N	Ø50 ~ Ø64	22	133	80	M8x1.0	-	
			TBH63-77N	Ø63 ~ Ø77						
	HSK40A-S22-73	S22-TBH50-77	TBH50-64N	Ø50 ~ Ø64	22	153	80	M8x1.0	-	
			TBH63-77N	Ø63 ~ Ø77						
	50A	HSK50A-S11-72.5	S11-TBH25-34	FBH20-1	Ø20 ~ Ø24	11	122.5	50	M5x0.8	-
		HSK50A-S18-80	S18-TBH34-51	TBH34-43N	Ø34 ~ Ø43	18	140	60	M8x1.0	-
				TBH42-51N	Ø42 ~ Ø51					
HSK50A-S22-73		S22-TBH50-77	TBH50-64N	Ø50 ~ Ø64	22	153	80	M8x1.0	-	
			TBH63-77N	Ø63 ~ Ø77						
HSK50A-S36-79		S36-TBH76-116	TBH76-97N	Ø76 ~ Ø97	36	189	110	M16x1.5	-	
	TBH95-116N		Ø95 ~ Ø116							
63A	HSK63A-S11-77.5	S11-TBH25-34	TBH25-34	Ø25 ~ Ø34	11	127.5	50	M5x0.8	-	
	HSK63A-S18-100	S18-TBH34-51	TBH34-43N	Ø34 ~ Ø43	18	160	60	M8x1.0	-	
			TBH42-51N	Ø42 ~ Ø51						
	HSK63A-S22-93	S22-TBH50-77	TBH50-64N	Ø50 ~ Ø64	22	173	80	M8x1.0	-	
			TBH63-77N	Ø63 ~ Ø77						
	HSK63A-S36-79	S36-TBH76-116	TBH76-97N	Ø76 ~ Ø97	36	189	110	M16x1.5	-	
TBH95-116N			Ø95 ~ Ø116							

- ▶ This is for help selecting Rough Boring Head & Cartridge.
- ▶ The Cartridge Clamp Screw is supplied with Boring Head.
- ▶ The Insert Screw is supplied with Cartridge.
- ▶ The Torx Wrench should be ordered. Please contact us to purchase this wrench.
- ▶ The Basic Holder, Rough Boring Head & Cartridge must be ordered separately.
- ▶ The L1, L2 dimensions in the table are the reference values when Boring Head and Cartridge are mounted.

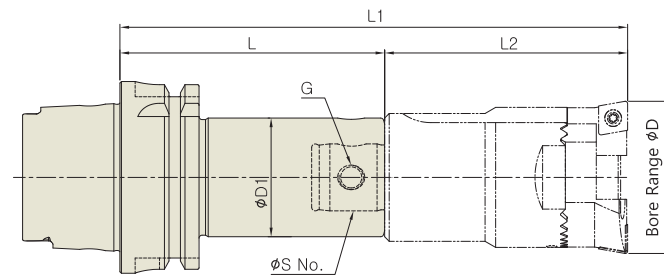
▶ NEXT PAGE

YIG TYPICAL CONFIGURATION OF ROUGH BORING BAR

TBH

ROUGH BORING BAR (SMALL BORE)

DOPPELBOHRHALTER
 BARRE D'ALÉSAGE JUMEAUX
 BARRE DI ALESATURA GEMELLO
 BARRA DE MANDRINAR MELLIZO



HSK (DIN 69893/ISO 12164)

Unit : mm

TAPER No.	BASIC HOLDER	ROUGH BORING HEAD	CARTRIDGE	BORE RANGE (ØD)	S No.	L1	L2	G	WEIGHT (Kg)				
100A	HSK100A-S11-102.5	S11-FBH20-24	FBH20-1	Ø20 ~ Ø24	11	152.5	50	M5x0.8	-				
	HSK100A-S18-125	S18-TBH34-51	TBH34-43N	Ø34 ~ Ø43	18	185	60	M8x1.0	-				
			TBH42-51N	Ø42 ~ Ø51					-				
	HSK100A-S22-118	S22-TBH50-77	TBH50-64N	Ø50 ~ Ø64	22	198	80	M8x1.0	-				
			TBH63-77N	Ø63 ~ Ø77					-				
	HSK100A-S22-178	S22-TBH50-77	TBH50-64N	Ø50 ~ Ø64	22	258	80	M8x1.0	-				
			TBH63-77N	Ø63 ~ Ø77					-				
	HSK100A-S36-94	S36-TBH76-116	TBH76-97N	Ø76 ~ Ø97	36	204	110	M16x1.5	-				
			TBH95-116N	Ø95 ~ Ø116					-				
			TBH76-97N	Ø76 ~ Ø97					36	279	110	M16x1.5	-
			TBH95-116N	Ø95 ~ Ø116									-
	HSK100A-S36-169	S36-TBH76-116	TBH76-97N	Ø76 ~ Ø97	36	279	110	M16x1.5	-				
			TBH95-116N	Ø95 ~ Ø116					-				
	HSK100A-S36-229	S36-TBH76-116	TBH76-97N	Ø76 ~ Ø97	36	339	110	M16x1.5	-				
			TBH95-116N	Ø95 ~ Ø116					-				
	HSK100A-S46-123	S46-TBH115-156	TBH115-136N	Ø115 ~ Ø136	46	228	105	M16x1.5	-				
TBH135-156N			Ø135 ~ Ø156	-									
HSK100A-S46-273	S46-TBH115-156	TBH115-136N	Ø115 ~ Ø136	46	378	105	M16x1.5	-					
		TBH135-156N	Ø135 ~ Ø156					-					

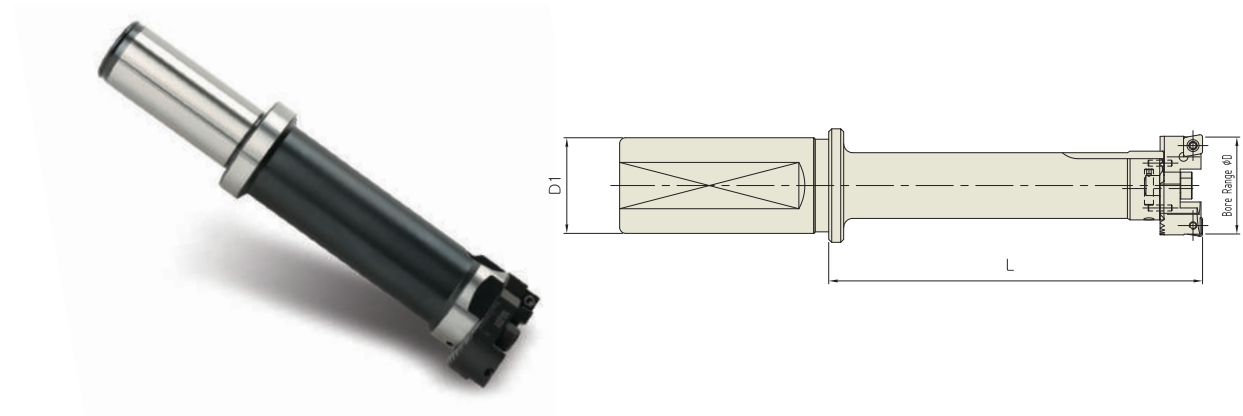
- ▶ This is for help selecting Rough Boring Head & Cartridge.
- ▶ The Cartridge Clamp Screw is supplied with Boring Head.
- ▶ The Insert Screw is supplied with Cartridge.
- ▶ The Torx Wrench should be ordered. Please contact us to purchase this wrench.
- ▶ The Basic Holder, Rough Boring Head & Cartridge must be ordered separately.
- ▶ The L1, L2 dimensions in the table are the reference values when Boring Head and Cartridge are mounted.

YIG ROUGH BORING BAR

TBH

ROUGH BORING BAR (SMALL BORE)

DOPPELBOHRHALTER
 BARRE D'ALÉSAGE JUMEAUX
 BARRE DI ALESATURA GEMELLO
 BARRA DE MANDRINAR MELLIZO



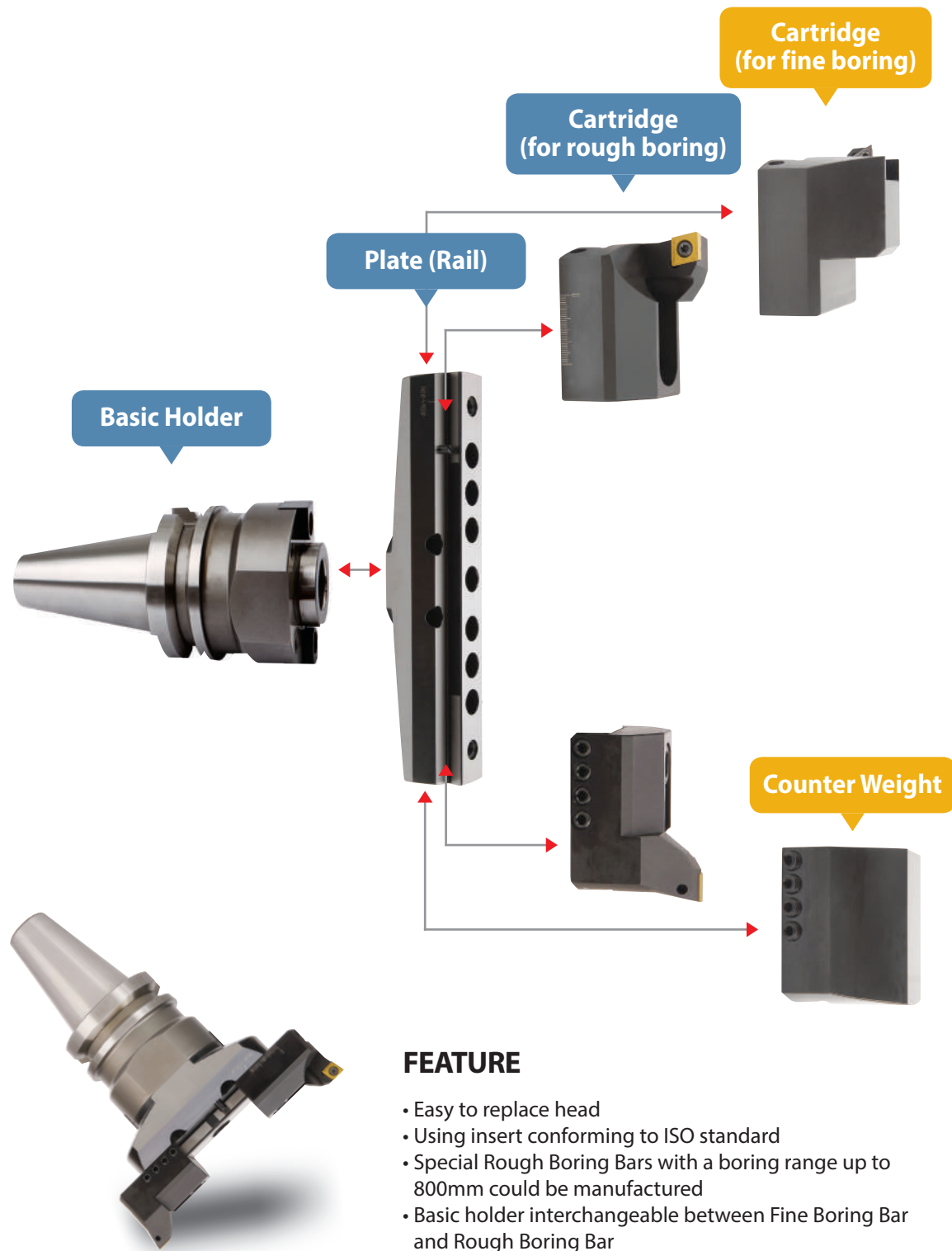
STRAIGHT-ST

Unit : mm

TAPER No.	MODEL No.	EDP No.	CARTRIDGE	BORE RANGE (ØD)	L	D1	WEIGHT (Kg)
32	ST32-TBH25-125	P2779559	TBH25-34	Ø25 ~ Ø34	125	32	-
	ST32-TBH34-130	P2779560	TBH34-43N	Ø34 ~ Ø43	130	32	-
			TBH42-51N	Ø42 ~ Ø51			-
40	ST32-TBH50-155	P2779561	TBH50-64N	Ø50 ~ Ø64	155	32	-
			TBH63-77N	Ø63 ~ Ø77			-
40	ST40-TBH76-185	P2779562	TBH76-97N	Ø76 ~ Ø97	185	40	-
			TBH95-116N	Ø95 ~ Ø116			-
42	ST42-TBH76-185	P2779563	TBH76-97N	Ø76 ~ Ø97	185	42	-
			TBH95-116N	Ø96 ~ Ø116			-

- ▶ This is for help selecting Straight Rough Boring Head & Cartridge.
- ▶ The Cartridge Clamp Screw is supplied with Boring Head.
- ▶ The Insert Screw is supplied with Cartridge.
- ▶ The Torx Wrench should be ordered. Please contact us to purchase this wrench.
- ▶ The Straight Shank & Cartridge must be ordered separately.
- ▶ The Straight Shank & Rough Boring Head are combined.
- ▶ The dimensions L in the table are the reference values when cartridge are mounted.

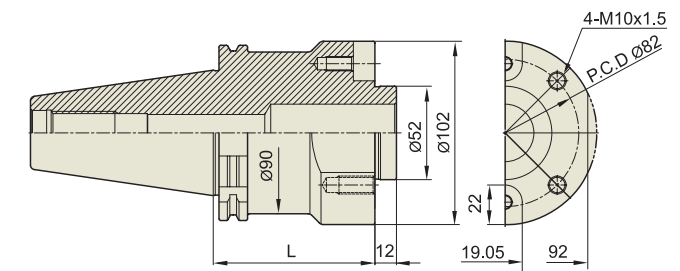
Boring Range : 153mm~576mm (FINE BORING BAR)
156mm~576mm (ROUGH BORING BAR)



FEATURE

- Easy to replace head
- Using insert conforming to ISO standard
- Special Rough Boring Bars with a boring range up to 800mm could be manufactured
- Basic holder interchangeable between Fine Boring Bar and Rough Boring Bar

FINE & ROUGH BORING BAR (BIG BORE)

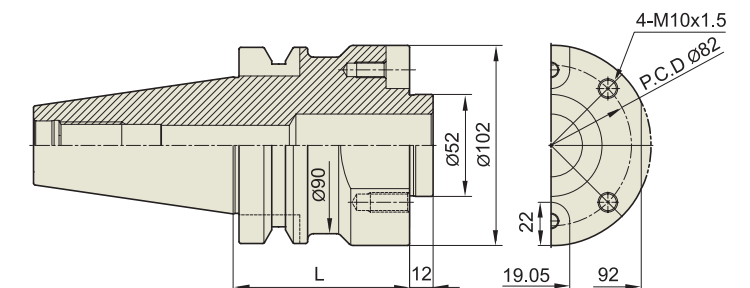


SK (DIN 69871)

Unit : mm

MODEL No.	L
SK50-SAS102-90	90
SK50-SAS102-140	140
SK50-SAS102-190	190

▶ Basic holder interchangeable between Fine Boring Bar and Rough Boring Bar.



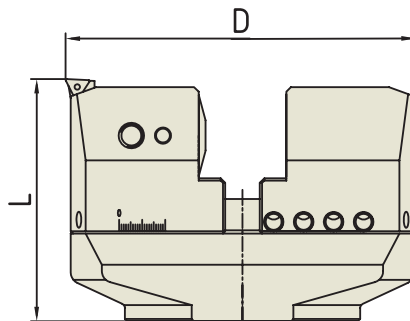
BT (JIS B6339/MAS 403)

Unit : mm

MODEL No.	L
BT50-SAS102-90	90
BT50-SAS102-140	140
BT50-SAS102-190	190

▶ Basic holder interchangeable between Fine Boring Bar and Rough Boring Bar.

FINE BORING BAR (BIG BORE)



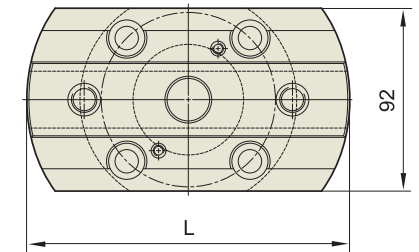
Unit : mm

MODEL No.	D (BORE RANGE)		L (HEIGHT)	WEIGHT (Kg)
	Min.	Max.		
FBH153S	153	216	105	-
FBH216S	216	276	105	-
FBH276S	276	336	105	-
FBH336S	336	396	105	-
FBH396S	396	456	105	-
FBH456S	456	516	105	-
FBH516S	516	576	105	-

SPARE PART

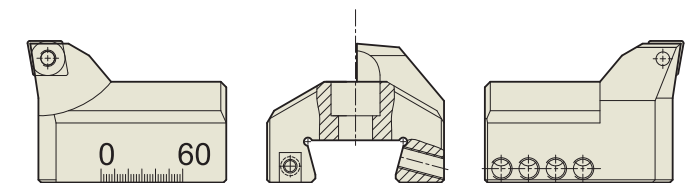
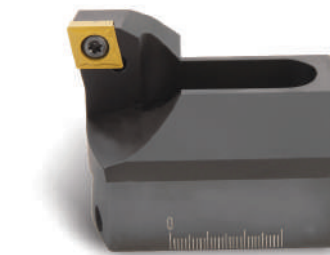
BORING HEAD	PLATE	CARTRIDGE	CLAMP BOLT	COUNTER WEIGHT	WRENCH	CLAMP SCREW	T-WRENCH
FBH153S	PLA153	FTP11	M10 X 30L	FBB153	L-W 5	FTNA0307	T7
FBH216S	PLA216						
FBH276S	PLA276						
FBH336S	PLA336						
FBH396S	PLA396						
FBH456S	PLA456						
FBH516S	PLA516						

ROUGH BORING BAR (BIG BORE)



Unit : mm

PLATE	D
PLA156	152
PLA216	212
PLA276	272
PLA336	332
PLA396	392
PLA456	452
PLA516	512



Unit : mm

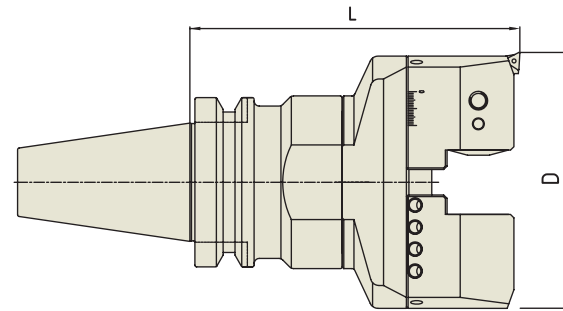
for Rough Cutting
CN120

YG FINE BORING BAR

FBH

FINE BORING BAR (BIG BORE)

FEINBOHRHALTER
ALÉSAGE PROFOND
BARRE DI ALESATURA FINE
BARRA DE MANDRINADO FINO



BT (JIS B6339/MAS 403)

Unit : mm

MODEL No.	D (BORE RANGE)		BODY (BASIC HOLDER)	BORING HEAD	WEIGHT (Kg)
	Min.	Max.			
BT50-FBH153-195	153	216	BT50-SAS102-90	FBH153S	-
BT50-FBH153-265			BT50-SAS102-160		-
BT50-FBH153-315			BT50-SAS102-210		-
BT50-FBH153-365			BT50-SAS102-260		-
BT50-FBH216-195	216	276	BT50-SAS102-90	FBH216S	-
BT50-FBH216-265			BT50-SAS102-160		-
BT50-FBH216-315			BT50-SAS102-210		-
BT50-FBH216-365			BT50-SAS102-260		-
BT50-FBH276-195	276	336	BT50-SAS102-90	FBH276S	-
BT50-FBH276-265			BT50-SAS102-160		-
BT50-FBH276-315			BT50-SAS102-210		-
BT50-FBH276-365			BT50-SAS102-260		-
BT50-FBH336-195	336	396	BT50-SAS102-90	FBH336S	-
BT50-FBH336-265			BT50-SAS102-160		-
BT50-FBH336-315			BT50-SAS102-210		-
BT50-FBH336-365			BT50-SAS102-260		-
BT50-FBH396-195	396	456	BT50-SAS102-90	FBH396S	-
BT50-FBH396-265			BT50-SAS102-160		-
BT50-FBH396-315			BT50-SAS102-210		-
BT50-FBH396-365			BT50-SAS102-260		-
BT50-FBH456-195	456	516	BT50-SAS102-90	FBH456S	-
BT50-FBH456-265			BT50-SAS102-160		-
BT50-FBH456-315			BT50-SAS102-210		-
BT50-FBH456-365			BT50-SAS102-260		-
BT50-FBH516-195	516	576	BT50-SAS102-90	FBH516S	-
BT50-FBH516-265			BT50-SAS102-160		-
BT50-FBH516-315			BT50-SAS102-210		-
BT50-FBH516-365			BT50-SAS102-260		-

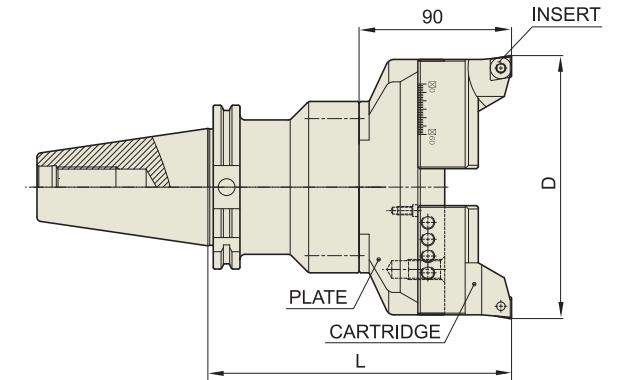
► Basic holder interchangeable between Fine Boring Bar and Rough Boring Bar.

YG ROUGH BORING BAR

TBH

ROUGH BORING BAR (BIG BORE)

DOPPELSCHNEIDER - BOHRSTANGE
BARRE D'ALÉSAGE À 2 ARÊTES DE COUPE
PORTA TESTINE BILAMA
BARRAS DE MANDRINAR DE DOS PLACAS



SK (DIN 69871/ISO 7388-1)

Unit : mm

MODEL No.	D (BORE RANGE)		L	BODY	PLATE	INSERT	WEIGHT (Kg)
	Min.	Max.					
SK50-TBH156-180	156 - 216		180	SK50-SAS102-90	PLA156	CCMT120400	-
SK50-TBH156-230	156 - 216		230	SK50-SAS102-140	PLA156	CCMT120400	-
SK50-TBH156-280	156 - 216		280	SK50-SAS102-190	PLA156	CCMT120400	-
SK50-TBH216-180	216 - 276		180	SK50-SAS102-90	PLA216	CCMT120400	-
SK50-TBH216-230	216 - 276		230	SK50-SAS102-140	PLA216	CCMT120400	-
SK50-TBH216-280	216 - 276		280	SK50-SAS102-190	PLA216	CCMT120400	-
SK50-TBH276-180	276 - 336		180	SK50-SAS102-90	PLA276	CCMT120400	-
SK50-TBH276-230	276 - 336		230	SK50-SAS102-140	PLA276	CCMT120400	-
SK50-TBH276-280	276 - 336		280	SK50-SAS102-190	PLA276	CCMT120400	-
SK50-TBH336-180	336 - 396		180	SK50-SAS102-90	PLA336	CCMT120400	-
SK50-TBH336-230	336 - 396		230	SK50-SAS102-140	PLA336	CCMT120400	-
SK50-TBH336-280	336 - 396		280	SK50-SAS102-190	PLA336	CCMT120400	-
SK50-TBH396-180	396 - 456		180	SK50-SAS102-90	PLA396	CCMT120400	-
SK50-TBH396-230	396 - 456		230	SK50-SAS102-140	PLA396	CCMT120400	-
SK50-TBH396-280	396 - 456		280	SK50-SAS102-190	PLA396	CCMT120400	-
SK50-TBH456-180	456 - 516		180	SK50-SAS102-90	PLA456	CCMT120400	-
SK50-TBH456-230	456 - 516		230	SK50-SAS102-140	PLA456	CCMT120400	-
SK50-TBH456-280	456 - 516		280	SK50-SAS102-190	PLA456	CCMT120400	-
SK50-TBH516-180	516 - 576		180	SK50-SAS102-90	PLA516	CCMT120400	-
SK50-TBH516-230	516 - 576		230	SK50-SAS102-140	PLA516	CCMT120400	-
SK50-TBH516-280	516 - 576		280	SK50-SAS102-190	PLA516	CCMT120400	-

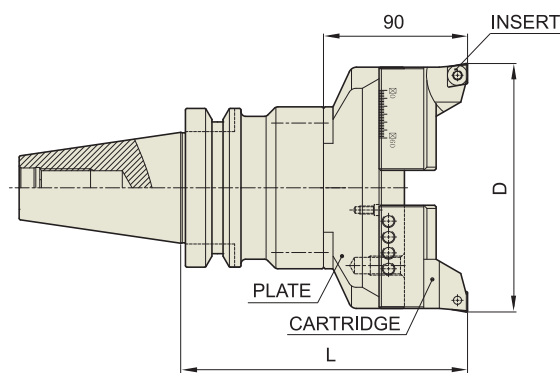
► Upon request, special Rough Boring Bars with a boring range up to 800mm could be manufactured and supplied.
► Basic holder interchangeable between Fine Boring Bar and Rough Boring Bar.

ROUGH BORING BAR

TBH

ROUGH BORING BAR (BIG BORE)

DOPPELSCHNEIDER - BOHRSTANGE
 BARRE D'ALÉSAGE À 2 ARÊTES DE COUPE
 PORTA TESTINE BILAMA
 BARRAS DE MANDRINAR DE DOS PLACAS



BT (JIS B6339/MAS 403)

Unit: mm

MODEL No.	D (BORE RANGE)	L	BODY	PLATE	INSERT	WEIGHT (Kg)
	Min. - Max.					
BT50-TBH156-180	156 - 216	180	BT50-SAS102-90	PLA156	CCMT120400	-
BT50-TBH156-230	156 - 216	230	BT50-SAS102-140	PLA156	CCMT120400	-
BT50-TBH156-280	156 - 216	280	BT50-SAS102-190	PLA156	CCMT120400	-
BT50-TBH216-180	216 - 276	180	BT50-SAS102-90	PLA216	CCMT120400	-
BT50-TBH216-230	216 - 276	230	BT50-SAS102-140	PLA216	CCMT120400	-
BT50-TBH216-280	216 - 276	280	BT50-SAS102-190	PLA216	CCMT120400	-
BT50-TBH276-180	276 - 336	180	BT50-SAS102-90	PLA276	CCMT120400	-
BT50-TBH276-230	276 - 336	230	BT50-SAS102-140	PLA276	CCMT120400	-
BT50-TBH276-280	276 - 336	280	BT50-SAS102-190	PLA276	CCMT120400	-
BT50-TBH336-180	336 - 396	180	BT50-SAS102-90	PLA336	CCMT120400	-
BT50-TBH336-230	336 - 396	230	BT50-SAS102-140	PLA336	CCMT120400	-
BT50-TBH336-280	336 - 396	280	BT50-SAS102-190	PLA336	CCMT120400	-
BT50-TBH396-180	396 - 456	180	BT50-SAS102-90	PLA396	CCMT120400	-
BT50-TBH396-230	396 - 456	230	BT50-SAS102-140	PLA396	CCMT120400	-
BT50-TBH396-280	396 - 456	280	BT50-SAS102-190	PLA396	CCMT120400	-
BT50-TBH456-180	456 - 516	180	BT50-SAS102-90	PLA456	CCMT120400	-
BT50-TBH456-230	456 - 516	230	BT50-SAS102-140	PLA456	CCMT120400	-
BT50-TBH456-280	456 - 516	280	BT50-SAS102-190	PLA456	CCMT120400	-
BT50-TBH516-180	516 - 576	180	BT50-SAS102-90	PLA516	CCMT120400	-
BT50-TBH516-230	516 - 576	230	BT50-SAS102-140	PLA516	CCMT120400	-
BT50-TBH516-280	516 - 576	280	BT50-SAS102-190	PLA516	CCMT120400	-

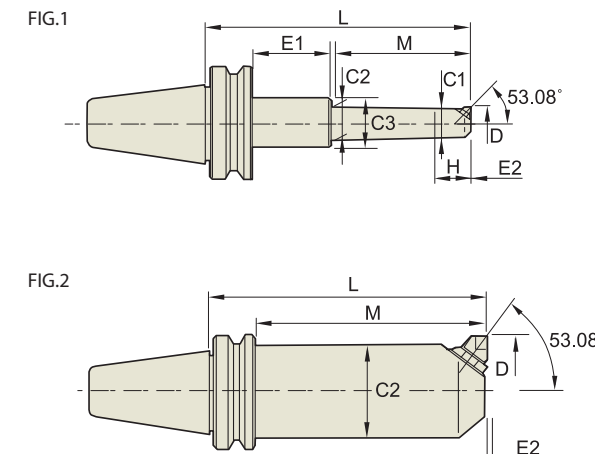
- ▶ Upon request, special Rough Boring Bars with a boring range up to 800mm could be manufactured and supplied.
- ▶ Basic holder interchangeable between Fine Boring Bar and Rough Boring Bar.

MICRO BORING BAR

BCA

MICRO BORING BAR

MIKRO - BOHRSTANGE
 BARRE D'ALÉSAGE MICRO
 PORTA TESTINE MICROREGISTRABILI
 BARRAS DE MANDRINAR MICRO



BT (JIS B6339/MAS 403)

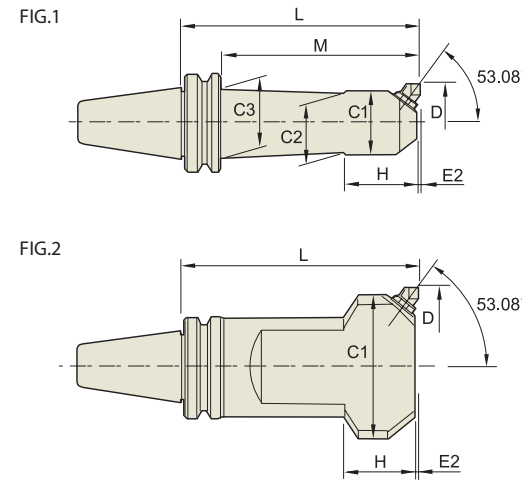
Unit: mm

TAPER No.	MODEL No.	EDP No.	D (BORE RANGE)	L	M	C1	C2	C3	H	E1	E2	UNIT	INSERT	FIG.	WEIGHT (Kg)	
			Min. - Max.													
30	BT30-BCA13.5-105	P2779701	13.5 - 16	105	68	12	13.0	44	15	5	0.2	M1B2E/F	BRAZED TYPE	1	-	
	BT30-BCA14.5-105	P2779702	14.5 - 17	105	68	13	14.0	44	15	5	0.2	M1B2E/F	BRAZED TYPE	1	-	
	BT30-BCA16-105	P2779703	16 - 22.5	105	73	14	15	-	18	-	0.2	M1A2E/F	BRAZED TYPE	3	-	
	BT30-BCA19-120	P2779704	19 - 23	120	85	16	18	44	23	3	0.2	M2B2CC	CCGT0401	1	0.70	
	BT30-BCA23-135	P2779705	23 - 29	135	105	19	22	-	24	-	0.2	M3B2TC	TBGT0601	3	0.70	
	BT30-BCA29-150	P2779706	29 - 41	150	115	25	28	44	30	8	0.2	M3A2TC	TBGT0601	1	0.90	
	BT30-BCA29-195	P2779707	29 - 41	195	115	25	28	44	30	53	0.2	M3A2TC	TBGT0601	1	-	
	BT30-BCA38-150	P2779708	38 - 49	150	115	33	35	55	41	8	0.2	M5B2TC	TCGT1102	1	1.40	
	BT30-BCA38-210	P2779709	38 - 49	210	175	33	37	55	41	8	0.2	M5B2TC	TCGT1102	1	-	
	BT30-BCA46-150	P2779710	46 - 66	150	115	38	41	55	45	8	0.2	M5A2TC	TCGT1102	1	2.10	
	BT30-BCA46-210	P2779711	46 - 66	210	175	38	45	55	45	8	0.2	M5A2TC	TCGT1102	1	-	
	BT30-BCA62-165	P2779712	62 - 87	165	135	51	-	-	-	-	0.2	M7A2TC	TCGT16T3	2	-	
	40	BT40-BCA13.5-105	P2779713	13.5 - 16	105	68	12	13.0	44	15	5	0.2	M1B2E/F	BRAZED TYPE	1	-
		BT40-BCA14.5-105	P2779714	14.5 - 17	105	68	13	14.0	44	15	5	0.2	M1B2E/F	BRAZED TYPE	1	-
BT40-BCA16-105		P2779715	16 - 22.5	105	73	14	15	-	18	-	0.2	M1A2E/F	BRAZED TYPE	3	-	
BT40-BCA19-120		P2779716	19 - 23	120	85	16	18	44	23	3	0.2	M2B2CC	CCGT0401	1	1.50	
BT40-BCA23-135		P2779717	23 - 29	135	105	19	22	-	24	-	0.2	M3B2TC	TBGT0601	3	1.50	
BT40-BCA29-150		P2779718	29 - 41	150	115	25	28	44	30	8	0.2	M3A2TC	TBGT0601	1	1.50	
BT40-BCA29-195		P2779719	29 - 41	195	115	25	28	44	30	53	0.2	M3A2TC	TBGT0601	1	2.00	
BT40-BCA38-150		P2779720	38 - 49	150	115	33	35	55	41	8	0.2	M5B2TC	TCGT1102	1	1.80	
BT40-BCA38-210		P2779721	38 - 49	210	175	33	37	55	41	8	0.2	M5B2TC	TCGT1102	1	2.20	
BT40-BCA46-150		P2779722	46 - 66	150	115	38	41	55	45	8	0.2	M5A2TC	TCGT1102	1	2.10	
BT40-BCA46-210		P2779723	46 - 66	210	175	38	45	55	45	8	0.2	M5A2TC	TCGT1102	1	2.30	
BT40-BCA62-165		P2779724	62 - 87	165	135	51	-	-	-	-	0.2	M7A2TC	TCGT16T3	2	2.90	
BT40-BCA62-210		P2779725	62 - 87	210	180	51	-	-	-	-	0.2	M7A2TC	TCGT16T3	2	3.60	
BT40-BCA83-150		P2779726	83 - 108	150	120	63	-	-	-	-	0.2	M7A2TC	TCGT16T3	2	-	
BT40-BCA83-210		P2779727	83 - 108	210	180	63	-	-	-	-	0.2	M7A2TC	TCGT16T3	2	-	
BT40-BCA98-150		P2779728	98 - 142	150	120	83	-	-	85	-	0.2	M10A2TC	TCGT16T3	4	-	

▶ NEXT PAGE

MICRO BORING BAR

MIKRO - BOHRSTANGE
 BARRE D'ALÉSAGE MICRO
 PORTA TESTINE MICROREGISTRABILI
 BARRAS DE MANDRINAR MICRO



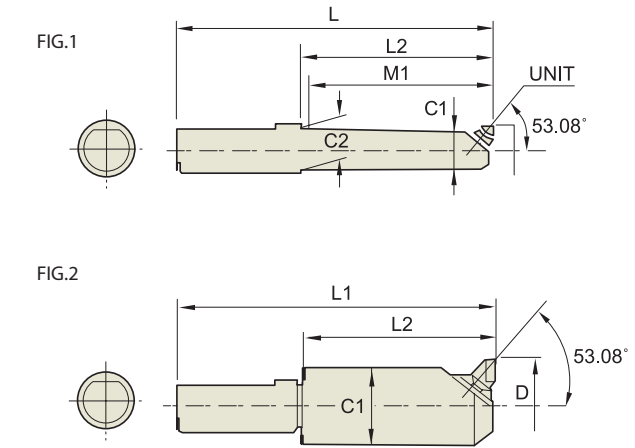
BT (JIS B6339/MAS 403)

Unit : mm

TAPER No.	MODEL No.	EDP No.	D (BORE RANGE)		L	M	C1	C2	C3	H	E1	E2	UNIT	INSERT	FIG.	WEIGHT (Kg)
			Min.	Max.												
50	BT50-BCA13.5-120	P2779729	13.5	16	120	67	12	13	44	15	10	0.2	M1B2E/F	-	1	-
	BT50-BCA13.5-195	P2779730	13.5	16	195	67	12	13	44	15	85	0.2	M1B2E/F	-	1	-
	BT50-BCA14.5-120	P2779731	14.5	17	120	67	13	14	44	15	10	0.2	M1B2E/F	-	1	-
	BT50-BCA14.5-195	P2779732	14.5	17	195	67	13	14	44	15	85	0.2	M1B2E/F	-	1	-
	BT50-BCA16-120	P2779733	16	22.5	120	73	14	15	44	18	4	0.2	M1A2E/F	-	1	-
	BT50-BCA16-195	P2779734	16	22.5	195	73	14	15	44	18	79	0.2	M1A2E/F	-	1	-
	BT50-BCA19-135	P2779735	19	23	135	86	16	18	44	23	6	0.2	M2B2CC	CCGT0401	1	3.80
	BT50-BCA19-210	P2779736	19	23	210	86	16	18	44	23	81	0.2	M2B2CC	CCGT0401	1	-
	BT50-BCA23-150	P2779737	23	29	150	105	19	22	44	24	2	0.2	M3B2TC	TBGT0601	1	3.90
	BT50-BCA23-225	P2779738	23	29	225	105	19	22	44	24	77	0.2	M3B2TC	TBGT0601	1	-
	BT50-BCA29-165	P2779739	29	41	165	115	25	28	44	30	7	0.2	M3A2TC	TBGT0601	1	4.50
	BT50-BCA29-225	P2779740	29	41	225	165	25	28	44	30	67	0.2	M3A2TC	TBGT0601	1	-
	BT50-BCA38-165	P2779741	38	49	165	115	33	35	55	41	7	0.2	M5B2TC	TCGT1102	1	-
	BT50-BCA38-225	P2779742	38	49	225	172	33	37	55	41	10	0.2	M5B2TC	TCGT1102	1	5.00
	BT50-BCA46-165	P2779743	46	66	165	115	38	41	55	45	7	0.2	M5A2TC	TCGT1102	1	5.20
	BT50-BCA46-225	P2779744	46	66	225	182	38	-	-	45	-	0.2	M5A2TC	TCGT1102	3	-
	BT50-BCA46-255	P2779745	46	66	255	206	38	-	55	45	6	0.2	M5A2TC	TCGT1102	1	5.70
	BT50-BCA62-180	P2779746	62	87	180	137	51	-	-	-	-	0.2	M7A2TC	TCGT16T3	2	7.00
	BT50-BCA62-240	P2779747	62	87	240	184	51	57	70	60	13	0.2	M7A2TC	TCGT16T3	1	7.60
	BT50-BCA62-330	P2779748	62	87	330	280	51	60	70	60	7	0.2	M7A2TC	TCGT16T3	1	9.50
	BT50-BCA83-165	P2779749	83	108	165	122	63	-	-	-	-	0.2	M7A2TC	TCGT16T3	2	-
	BT50-BCA83-240	P2779750	83	108	240	190	63	62	90	95	7	0.2	M7A2TC	TCGT16T3	1	-
	BT50-BCA83-345	P2779751	83	108	345	295	63	62	90	95	7	0.2	M7A2TC	TCGT16T3	1	-
	BT50-BCA98-165	P2779752	98	142	165	122	83	-	-	-	-	0.2	M10A2TC	TCGT16T3	2	-
	BT50-BCA98-240	P2779753	98	142	240	197	83	-	-	-	-	0.2	M10A2TC	TCGT16T3	2	-
	BT50-BCA98-345	P2779754	98	142	345	302	83	92	-	85	-	0.2	M10A2TC	TCGT16T3	3	-
	BT50-BCA132-210	P2779755	132	176	210	-	108	-	-	65	-	0.2	M10A2TC	TCGT16T3	4	-
	BT50-BCA132-315	P2779756	132	176	315	-	108	-	-	65	-	0.2	M10A2TC	TCGT16T3	4	-
	BT50-BCA166-225	P2779757	166	210	225	-	142	-	-	70	-	0.2	M10A2TC	TCGT16T3	4	-
	BT50-BCA166-315	P2779758	166	210	315	-	142	-	-	70	-	0.2	M10A2TC	TCGT16T3	4	-
	BT50-BCA200-210	P2779759	200	244	210	-	176	-	-	75	-	0.2	M10A2TC	TCGT16T3	4	-

MICRO BORING BAR

MIKRO - BOHRSTANGE
 BARRE D'ALÉSAGE MICRO
 PORTA TESTINE MICROREGISTRABILI
 BARRAS DE MANDRINAR MICRO



STRAIGHT-ST

Unit : mm

TAPER No.	MODEL No.	EDP No.	D (BORE RANGE)		L1	L2	M1	C1	C2	UNIT	FIG.	WEIGHT (Kg)
			Min.	Max.								
32	ST32-BCA13.5-75	P2779760	13.5	16	135	75	67	12	13	M1B2E/F	1	0.50
	ST32-BCA14.5-75	P2779761	14.5	17	145	75	67	12	14	M1B2E/F	1	0.50
	ST32-BCA16-90	P2779762	16	22.5	160	90	82	14	15	M1A2E/F	1	0.50
	ST32-BCA19-90	P2779763	19	23.0	160	90	82	16	18	M2B-2CC	1	0.50
	ST32-BCA23-120	P2779764	23	29.0	190	120	110	19	22	M3B-2TC	1	1.00
	ST32-BCA29-120	P2779765	29	41.0	190	120	110	25	28	M3A-2TC	1	1.00
	ST32-BCA38-120	P2779766	38	49.0	190	120	115	33	35	M5B-2TC	2	1.50
	ST32-BCA46-120	P2779767	46	66	190	120	115	38	-	M5A-2TC	2	1.50
	ST32-BCA62-120	P2779768	62	87.0	190	120	115	51	-	M7A-2TC	2	2.50
	ST42-BCA13.5-85	P2779769	13.5	16	165	85	67	12	13	M1B2E/F	1	1.00
	ST42-BCA14.5-85	P2779770	14.5	17	165	85	67	12	14	M1B2E/F	1	1.00
	ST42-BCA16-100	P2779771	16	22.5	180	100	82	14	15	M1A2E/F	1	1.00
42	ST42-BCA19-100	P2779772	19	23.0	180	100	82	16	18	M2B2E/F	1	1.00
	ST42-BCA23-120	P2779773	23	29.0	200	120	110	19	22	M3B-2TC	1	1.50
	ST42-BCA29-120	P2779774	29	41.0	200	120	110	25	28	M3A-2TC	1	1.50
	ST42-BCA38-130	P2779775	38	49.0	210	130	125	33	35	M5B-2TC	1	1.50
	ST42-BCA46-135	P2779776	46	66.0	215	135	130	38	44	M5A-2TC	1	1.50
	ST42-BCA62-135	P2779777	62	87.0	215	135	130	51	-	M7A-2TC	2	2.50
	ST42-BCA83-150	P2779778	83	108	230	150	145	63	-	M7A-2TC	2	3.00

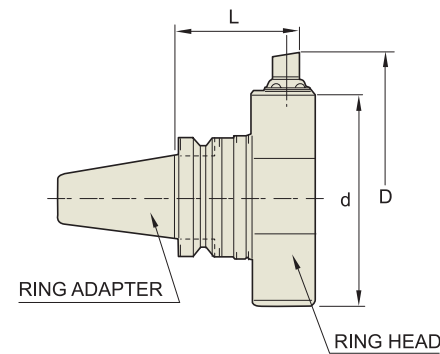
BIG SIZE MICRO CUT BORING BAR

BT (JIS B6339/MAS 403)

BORING RING HOLDER

Unit : mm

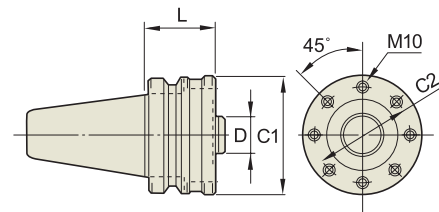
MODEL No.	d	D	L
BT50-BRA140-105	140	197	105
BT50-BRA140-165	140	197	165
BT50-BRA191-105	191	248	105
BT50-BRA191-165	191	248	165
BT50-BRA242-105	242	299	105
BT50-BRA242-165	242	299	165
BT50-BRA293-105	293	350	105
BT50-BRA293-165	293	350	165
BT50-BRA344-105	344	401	105
BT50-BRA344-165	344	401	165
BT50-BRA395-105	395	452	105
BT50-BRA395-165	395	452	165



RING ADAPTOR

Unit : mm

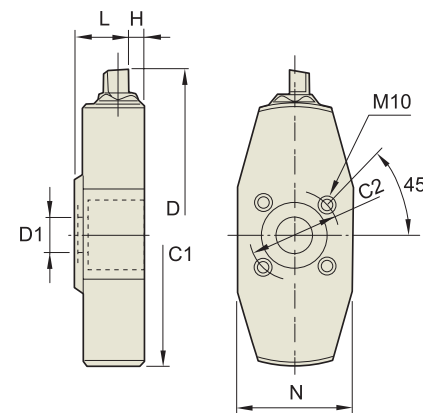
MODEL No.	D (h6)	L	C1	C2
BT50-RAA32-60	32	60	102	82
BT50-RAA32-120	32	120	102	82



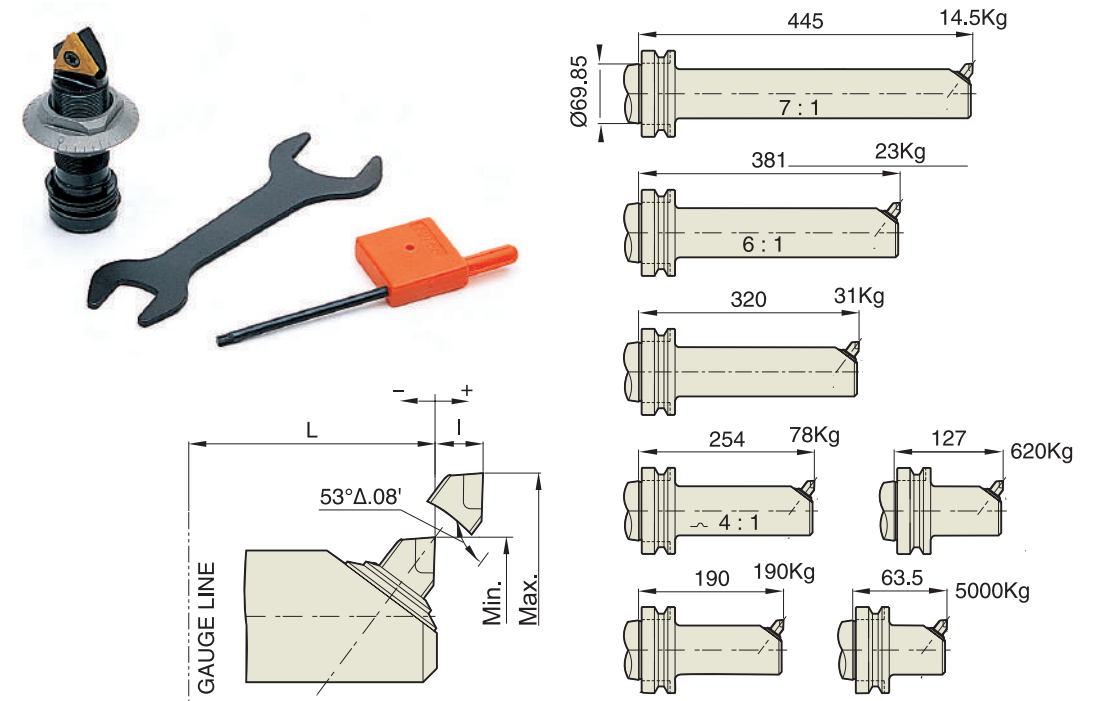
RING HEAD

Unit : mm

MODEL No.	D1 (h7)	D (BORE RANGE)		L	C1	C2	H	N	UNIT
		Min.	Max.						
RH32-BCA140	32	140	197	45	102	82	14	-	M10A2TC
RH32-BCA191	32	191	248	45	136	82	14	-	M10A2TC
RH32-BCA242	32	242	299	45	184	82	14	103	M10A2TC
RH32-BCA293	32	293	350	45	234	82	14	103	M10A2TC
RH32-BCA344	32	344	401	45	284	82	14	103	M10A2TC
RH32-BCA395	32	395	452	45	36	82	14	103	M10A2TC



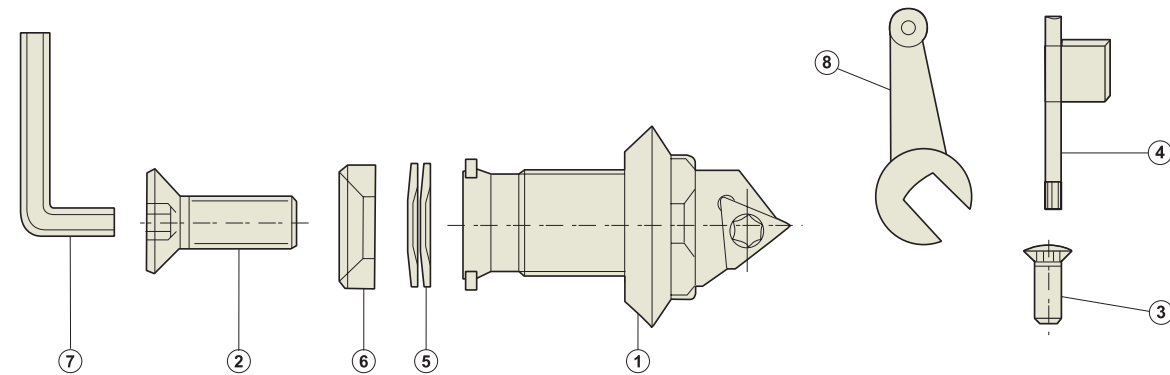
STRENGTH OF BORING BAR AND COMPARISON TABLE OF MICRO UNITS



BORING BAR MODEL No.	BRAZED TYPE B EF		SCREW ON TYPE			INSERT SPEC.
	Min.	Max.	Min.	Max.	ΔL	
BCA19	M2B2	M2B2	-	-	-	CCGT0401
	19	23	-	-	-1.9	CCGT0401
BCA23	M3B2	M3B2	M3B2TC	M3B2TC	M3B2TC	TBGT060102
	23	29	24.9	30.9	-1.9	TBGT060102
BCA29	M3A2	M3A2	M3A2TC	M3A2TC	M3A2TC	TBGT060102
	29	41.8	30.9	43.8	-1.9	TBGT060102
BCA38	M5B2	M5B2	M5B2TC	M5B2TC	M5B2TC	TCGT110204
	38	49.2	40.9	52.1	-1.9	TCGT110204
BCA46	M5A2	M5A2	M5A2TC	M5A2TC	M5A2TC	TCGT110204
	46	66.6	48.9	69.5	-1.9	TCGT110204
BCA62	M7A2	M7A2	M7A2TC	M7A2TC	M7A2TC	TCGT16T304
	62	87.4	62	87.4	0	TCGT16T304
BCA83	M7A2	M7A2	M7A2TC	M7A2TC	M7A2TC	TCGT16T304
	83	108.4	83	108.4	0	TCGT16T304
BCA98	M10A2	M10A2	M10A2TC	M10A2TC	M10A2TC	TCGT16T304
	98	142.4	98	142.4	0	TCGT16T304
BCA132	M10A2	M10A2	M10A2TC	M10A2TC	M10A2TC	TCGT16T304
	132	176.4	132	176.4	0	TCGT16T304
BCA166	M10A2	M10A2	M10A2TC	M10A2TC	M10A2TC	TCGT16T304
	166	210.4	166	210.4	0	TCGT16T304
BCA200	M10A2	M10A2	M10A2TC	M10A2TC	M10A2TC	TCGT16T304
	200	244.4	200	244.4	0	TCGT16T304

MICRO UNIT SPARE PART

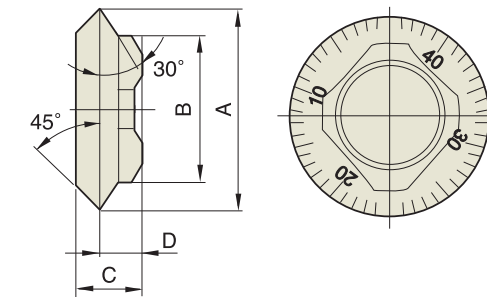
GRADUATED DIAL UNIT / LOCK SCREW AND WASHER



PART NAME		ORDER No.	M1A-B	M2A-B	M3A-B	M5A-B	M5A-B	M7A-B	M10A-B
1	DIAL NUT	Slant Angle	1-40	2-40	3-40	5-40	5-40	7-80	10-80
	DIAL NUT	Right Angle	1-50	2-50	3-50	5-50	5-50	7-100	10-100
2	CARTRIDGE BOLT	M-A	F-M3-0.5-8	F-M3-0.5-12	F-M4-0.7-15	F-M6-1.0-25	F-M6-1.0-25	F-M10-1.5-30	M12-1.75-50
	CARTRIDGE BOLT	M-B	M-M3-0.5-6	M-M3-0.5-10	M-M4-0.7-12	M-M6-1.0-20	M-M6-1.0-20	M-M10-1.5-25	M12-1.75-35
3	INSERT SCREW		S1845L5	S1845L5	S2045L6	S2555L6	S2555L6	S4095L6	S4095L6
4	T-WRENCH		T6	T6	T6	T8	T8	T15	T15
5	SPRING WASHER		-	CB-2	CB-3	CB-5	CB-5	CB-7	CB-10
6	MOUNTING WASHER		-	2306	3306	5306	5306	7306	10306
7	L-WRENCH		WR-2	WR-2	WR-2.5	WR-4	WR-4	WR-6	WR-8
8	SPANNER		GS12	GS12	GS35	GS35	GS35	GS710	GS710

MICRO UNIT SPARE PART

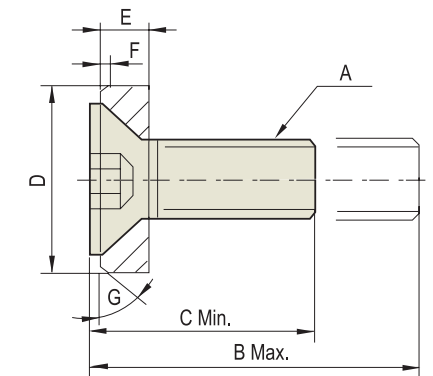
GRADUATED DIAL UNIT / LOCK SCREW AND WASHER



DIAL NUT

Unit : mm

SIZE	A	B	C	D
M1	9.53	6.99	4.45	2.54
M2	12.7	9.53	5.08	3.30
M3	15.88	11.3	5.59	3.56
M5	25.4	19.05	8.76	4.83
M7	34.93	25.40	11.68	7.11
M10	44.45	34.93	13.84	7.49



CARTIDGE BOLT

Unit : mm

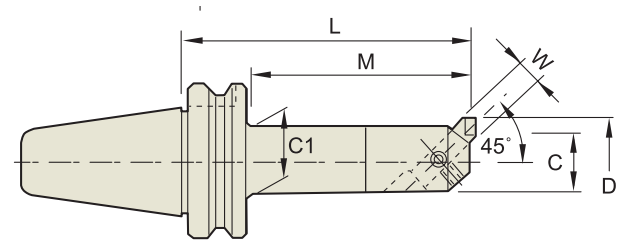
SIZE	A	B	C	D	E	F	G
M1	M3	8	6	-	-	-	-
M2	M3	12	10	7.82	1.83	0.5	45°
M3	M4	15	12	10.9	2.46	1.0	45°
M5	M6	25	20	15.7	4.32	0.8	37°
M7	M10	30	25	23.7	6.35	1.30	37°
M10	M12	50	35	31.6	7.92	2.5	37°

Y/G SQUARE BORING BAR

BSA

SQUARE BORING BAR (45°)

VIERKANT - BOHRSTANGE
 BARRE D'ALÉSAGE CARRÉ
 BARRA PORTA TESTINE
 BARRAS DE MANDRINAR CUADRADAS



BT (JIS B6339/MAS 403)

Unit : mm

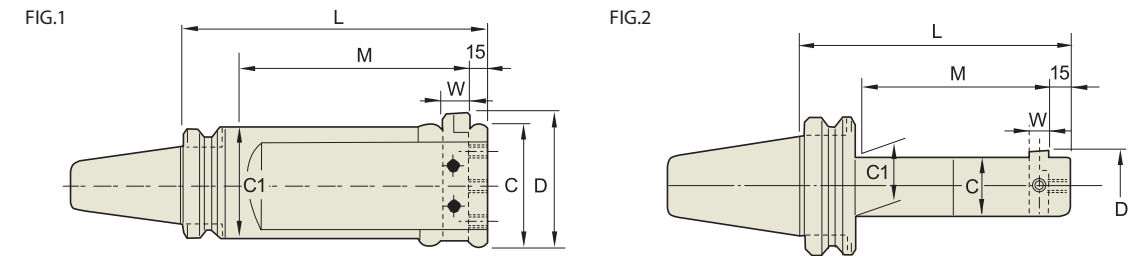
TAPER No.	MODEL No.	EDP No.	D (BORE RANGE)		L	C	C1	W	M	WEIGHT (Kg)
			Min.	Max.						
30	BT30-BSA25-120	P2775401	25	38	120	20	22	8	90	1.00
	BT30-BSA30-135	P2775402	30	42	135	24	26	8	105	1.10
	BT30-BSA38-150	P2775403	38	52	150	30	33	10	120	1.40
	BT30-BSA42-150	P2775404	42	56	150	34	37	10	125	1.60
	BT30-BSA50-150	P2775405	50	65	150	40	44	13	125	1.80
40	BT40-BSA25-135	P2775406	25	38	135	20	22	8	108	1.30
	BT40-BSA30-165	P2775407	30	42	165	24	26	8	138	1.50
	BT40-BSA38-180	P2775408	38	52	180	30	33	10	153	1.80
	BT40-BSA42-210	P2775409	42	56	210	34	37	10	183	2.30
	BT40-BSA50-180	P2775410	50	65	180	40	44	13	153	2.40
	BT40-BSA50-225	P2775411	50	65	225	40	44	13	198	2.90
	BT40-BSA62-180	P2775412	62	90	180	50	54	16	153	3.20
	BT40-BSA62-240	P2775413	62	90	240	50	54	16	213	4.20
	BT40-BSA72-180	P2775414	72	110	180	60	63	19	153	4.40
	BT40-BSA72-240	P2775415	72	110	240	60	63	19	213	5.70
50	BT50-BSA90-180	P2775416	90	125	180	75	63	19	153	5.40
	BT50-BSA25-135	P2775417	25	38	135	20	22	8	95	4.40
	BT50-BSA30-165	P2775418	30	42	165	24	26	8	125	4.60
	BT50-BSA38-180	P2775419	38	52	180	30	33	10	140	4.80
	BT50-BSA42-210	P2775420	42	56	210	34	37	10	170	5.00
	BT50-BSA50-180	P2775421	50	65	180	40	44	13	140	5.40
	BT50-BSA50-240	P2775422	50	65	240	40	44	13	200	5.70
	BT50-BSA62-195	P2775423	62	90	195	50	54	16	155	6.10
	BT50-BSA62-270	P2775424	62	90	270	50	54	16	230	7.50
	BT50-BSA72-195	P2775425	72	110	195	60	66	19	155	6.90
	BT50-BSA72-285	P2775426	72	110	285	60	66	19	245	9.30
	BT50-BSA90-210	P2775427	90	125	210	75	80	19	170	9.20
	BT50-BSA90-300	P2775428	90	125	300	75	80	19	260	12.30
	BT50-BSA105-195	P2775429	105	160	195	90	90	25	157	10.50
	BT50-BSA105-285	P2775430	105	160	285	90	90	25	247	14.80

Y/G SQUARE BORING BAR

BSB

SQUARE BORING BAR (90°)

VIERKANT - BOHRSTANGE
 BARRE D'ALÉSAGE CARRÉ
 BARRA PORTA TESTINE
 BARRAS DE MANDRINAR CUADRADAS



BT (JIS B6339/MAS 403)

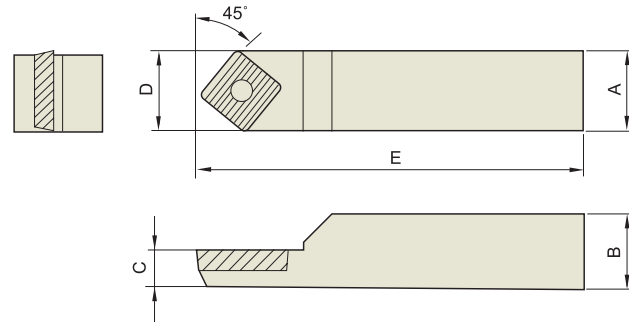
Unit : mm

TAPER No.	MODEL No.	EDP No.	D (BORE RANGE)		L	C	C1	W	M	WEIGHT (Kg)	FIG.
			Min.	Max.							
30	BT30-BSB25-120	P2775431	25	50	120	20	22	8	90	1.10	1
	BT30-BSB38-150	P2775432	38	70	150	30	33	10	120	1.50	1
	BT30-BSB50-150	P2775433	50	90	150	40	44	13	125	2.20	1
40	BT40-BSB25-135	P2775434	25	50	135	20	22	8	108	1.30	1
	BT40-BSB38-180	P2775435	38	70	180	30	33	10	153	1.90	1
	BT40-BSB50-180	P2775436	50	90	180	40	44	13	153	2.60	1
	BT40-BSB50-225	P2775437	50	90	225	40	44	13	198	3.10	1
	BT40-BSB62-180	P2775438	62	115	180	50	56	16	153	3.40	1
	BT40-BSB62-225	P2775439	62	115	225	50	56	16	198	4.10	1
	BT40-BSB72-180	P2775440	72	135	180	60	66	19	153	4.70	1
	BT40-BSB72-225	P2775441	72	135	225	60	66	19	198	5.60	1
	BT40-BSB90-180	P2775442	90	150	180	75	80	19	153	5.70	1
	BT40-BSB90-225	P2775443	90	150	225	75	80	19	198	6.60	1
50	BT50-BSB25-135	P2775444	25	50	135	20	22	8	95	4.10	1
	BT50-BSB38-180	P2775445	38	70	180	30	33	10	140	4.80	1
	BT50-BSB50-180	P2775446	50	90	180	40	44	13	140	5.50	1
	BT50-BSB50-240	P2775447	50	90	240	40	44	13	200	5.70	1
	BT50-BSB62-195	P2775448	62	115	195	50	56	16	155	6.40	1
	BT50-BSB62-270	P2775449	62	115	270	50	56	16	230	7.90	1
	BT50-BSB72-195	P2775450	72	135	195	60	66	19	155	7.30	1
	BT50-BSB72-285	P2775451	72	135	285	60	66	19	245	9.60	1
	BT50-BSB90-210	P2775452	90	150	210	75	80	19	170	9.60	1
	BT50-BSB90-300	P2775453	90	150	300	75	80	19	260	12.60	1
	BT50-BSB105-195	P2775454	105	190	195	90	-	25	155	11.10	2
	BT50-BSB105-285	P2775455	105	190	285	90	94	25	245	15.40	2

SQUARE BITE

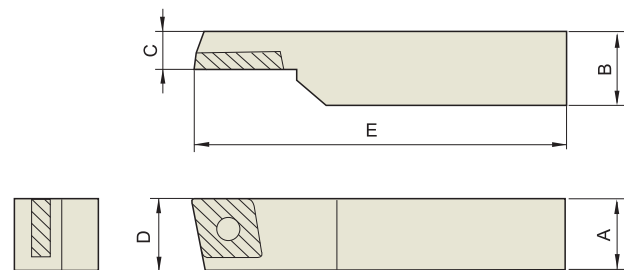
YG-1 TOOLING SYSTEM

ACCESSORY & PARTS



Unit : mm

SIZE	CLASSIFICATION							
	A	B	C	D	E	SCREW	WRENCH	INSERT
SBC08-45	8	8	6.3	8.39	70	SSB-2506	T7	CCMT0602
SBC10-45	10	10	7	10.39	70	SSB-2506	T7	CCMT0602
SBC13-45	13	13	10	13.6	80	SSB-4009	T15	CCMT09T3
SBC16-45	16	16	11	16.68	100	SSB-5012	T15	CCMT1204
SBC19-45	19	19	11	19.68	100	SSB-5012	T15	CCMT1204
SBC25-45	25	25	12.5	25.68	120	SSB-5012	T15	CCMT1204



Unit : mm

SIZE	CLASSIFICATION							
	A	B	C	D	E	SCREW	WRENCH	INSERT
SBC10-90	10	10	7	10.4	70	SSB-2506	T7	CCMT0602
SBC13-90	13	13	10	13.6	80	SSB-4009	T15	CCMT09T3
SBC16-90	16	16	11	16.7	100	SSB-5012	T15	CCMT1204
SBC19-90	19	19	11	19.7	100	SSB-5012	T15	CCMT1204
SBC25-90	25	25	12.5	25.7	120	SSB-5012	T15	CCMT1204



HYDRAULIC CHUCK TEST PIECE



HYDRAULIC CHUCK COLLET



SHRINK FIT HEATING MACHINE

ER COLLET

TAP ER COLLET

ER NUT & SPANNER

SIDE LOCK BOLT FOR EMH

COLLAR BOLT & DRIVE KEY FOR SMA

DRIVE KEY & MOUNTING BOLT FOR FMA

MILLING CHUCK COLLET & SPANNER

SK COLLET, NUT, SPANNER

TAP ADAPTOR FOR TAPPING CHUCK

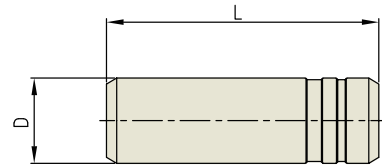
PULL STUD BOLT & SPANNER

TOOL CLAMP, HEIGHT PRESETTER

COOLANT TUBE & SPANNER FOR HSK

ADJUST BOLT MQL1 FOR HSK

TEST PIECE



STANDARD HYDRAULIC CHUCK

Unit : mm

DESCRIPTIONS	EDP No.	D	L
TP6	P2801201	6	70
TP8	P2801202	8	70
TP10	P2801203	10	80
TP12	P2801204	12	80
TP14	P2801205	14	80
TP16	P2801206	16	90
TP18	P2801207	18	90
TP20	P2801208	20	100
TP25	P2801209	25	100
TP32	P2801210	32	100

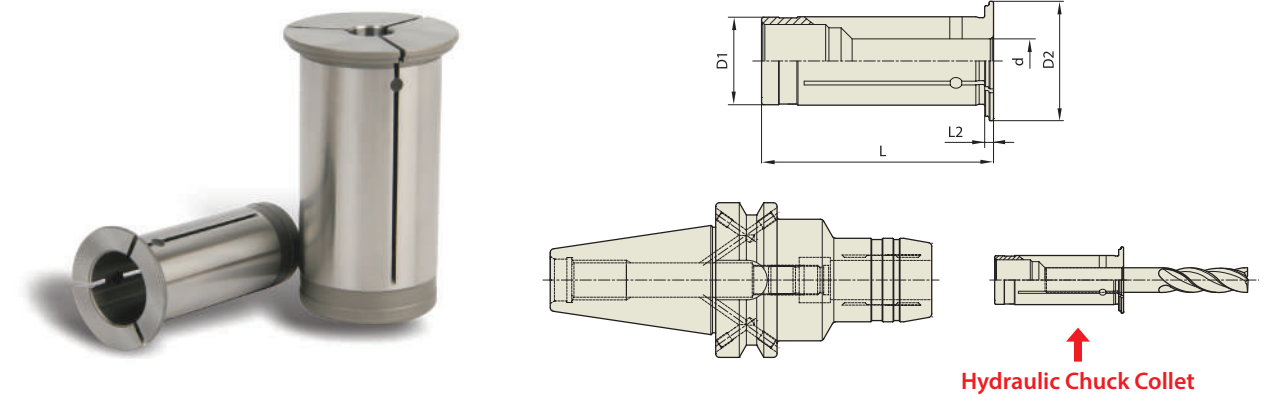
POWER E HYDRO

Unit : mm

DESCRIPTIONS	EDP No.	D	L
TP12P	P2801211	12	80
TP20P	P2801212	20	100
TP32P	P2801213	32	100

COLLET (REDUCTION SLEEVE : OPEN TYPE)

HYDRAULIK SPANNFUTTER SPANNZANGE
 MANDRIN HYDRAULIQUE PINCE DE SERRAGE
 MANDRINI IDRAULICI PINZA DI SERRAGGIO
 PORTAHERRAMIENTAS HIDRAULICO PINZA PORTAPIEZAS



MODEL No.	EDP No.	d	D1	D2	L	L2		
HK12	3	P2569022	3	12	19	47	2	
	4	P2569023	4	12	19	47	2	
	5	P2569024	5	12	19	47	2	
	6	P2569025	6	12	19	47	2	
	7	P2771001	7	12	19	47	2	
	8	P2569026	8	12	19	47	2	
	HK20	3	P2569001	3	20	27	52.5	2
		4	P2569002	4	20	27	52.5	2
5		P2569003	5	20	27	52.5	2	
6		P2569004	6	20	27	52.5	2	
7		P2771002	7	20	27	52.5	2	
8		P2569005	8	20	27	52.5	2	
9		P2771003	9	20	27	52.5	2	
10		P2569006	10	20	27	52.5	2	
11		P2771004	11	20	27	52.5	2	
12		P2569007	12	20	27	52.5	2	
13		P2771005	13	20	27	52.5	2	
14		P2569008	14	20	27	52.5	2	
15		P2771006	15	20	27	52.5	2	
16		P2569009	16	20	27	52.5	2	
HK32		6	P2569010	6	32	39	63.5	3
		8	P2569011	8	32	39	63.5	3
	10	P2569012	10	32	39	63.5	3	
	12	P2569013	12	32	39	63.5	3	
	14	P2569014	14	32	39	63.5	3	
	16	P2569015	16	32	39	63.5	3	
	18	P2569016	18	32	39	63.5	3	
	20	P2569017	20	32	39	63.5	3	
	25	P2569018	25	32	39	63.5	3	

- ▶ Inch type products are available.
- ▶ Other special sizes of Hydraulic Chuck collets could be produced and supplied.

Feature

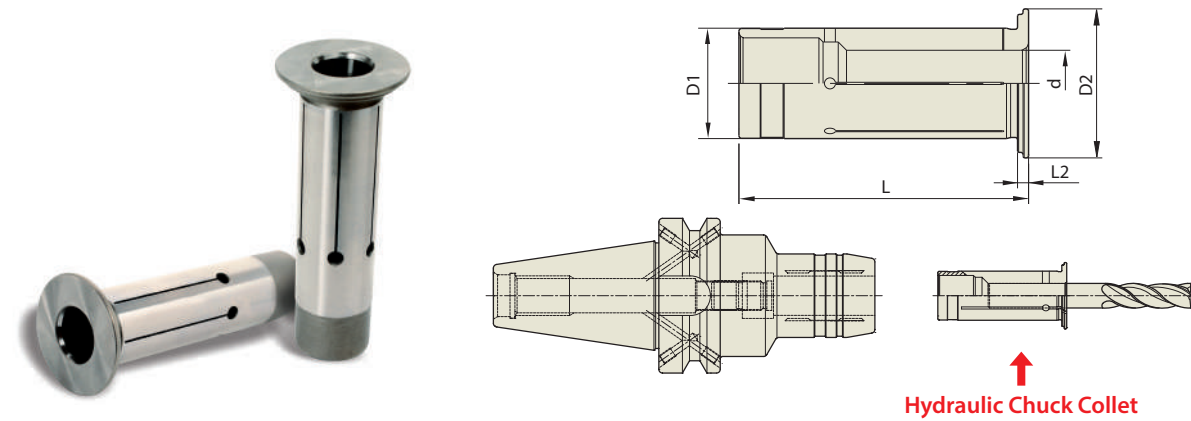
HK Hydraulic Chuck collet (reduction sleeve) is cut into trisection by high precision cutting to guarantee precise I.D and strong clamping power.

Chucking Method

Please assemble cutting tool with collet firstly, and then insert collet into Hydraulic Chuck.

COLLET (REDUCTION SLEEVE : CLOSED TYPE)

HYDRAULIK SPANNFUTTER SPANNZANGE
 MANDRIN HYDRAULIQUE PINCE DE SERRAGE
 MANDRINI IDRAULICI PINZA DI SERRAGGIO
 PORTAHERRAMIENTAS HIDRAULICO PINZA PORTAPIEZAS



Unit : mm

MODEL No.	EDP No.	d	D1	D2	L	L2	
HS12	3	P2771101	3	12	19	47	2
	4	P2771102	4	12	19	47	2
	5	P2771103	5	12	19	47	2
	6	P2771104	6	12	19	47	2
	7	P2771105	7	12	19	47	2
	8	P2771106	8	12	19	47	2
HS20	3	P2771107	3	20	27	52.5	2
	4	P2771108	4	20	27	52.5	2
	5	P2771109	5	20	27	52.5	2
	6	P2771110	6	20	27	52.5	2
	7	P2771111	7	20	27	52.5	2
	8	P2771112	8	20	27	52.5	2
	9	P2771113	9	20	27	52.5	2
	10	P2771114	10	20	27	52.5	2
	11	P2771115	11	20	27	52.5	2
	12	P2771116	12	20	27	52.5	2
HS32	6	P2771121	6	32	39	63.5	3
	8	P2771122	8	32	39	63.5	3
	10	P2771123	10	32	39	63.5	3
	12	P2771124	12	32	39	63.5	3
	14	P2771125	14	32	39	63.5	3
	16	P2771126	16	32	39	63.5	3
	18	P2771127	18	32	39	63.5	3
	20	P2771128	20	32	39	63.5	3
	25	P2771129	25	32	39	63.5	3

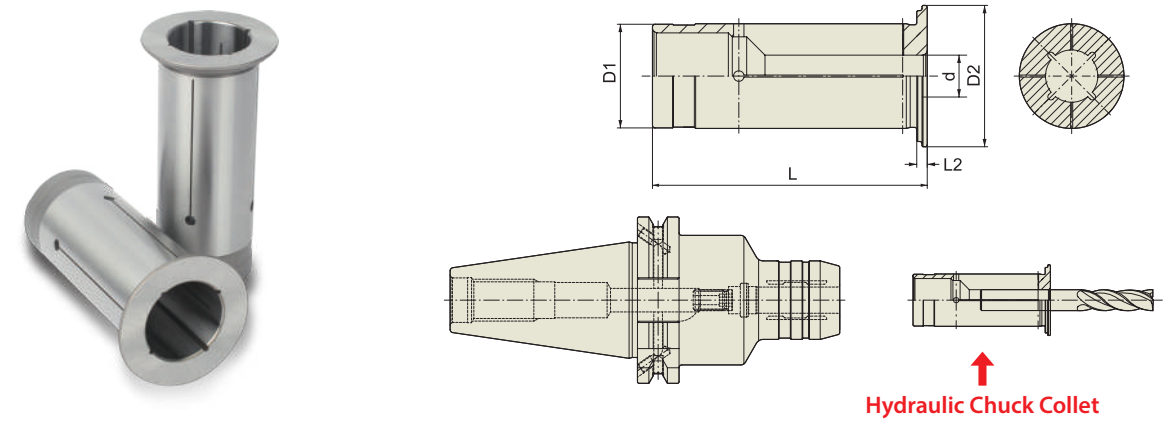
- ▶ Inch type products are available.
- ▶ Other special sizes of Hydraulic Chuck collets could be produced and supplied.

Feature HS Hydraulic Chuck collet (reduction sleeve) is cut into trisection by high precision cutting to guarantee precise I.D and strong clamping power.

Chucking Method Please assemble cutting tool with collet firstly, and then insert collet into Hydraulic Chuck.

COLLET (REDUCTION SLEEVE : COOLANT FLUSH TYPE)

HYDRAULIK SPANNFUTTER SPANNZANGE
 MANDRIN HYDRAULIQUE PINCE DE SERRAGE
 MANDRINI IDRAULICI PINZA DI SERRAGGIO
 PORTAHERRAMIENTAS HIDRAULICO PINZA PORTAPIEZAS



Unit : mm

MODEL No.	EDP No.	d	D1	D2	L	L2	
HF12	3	P2771201	3	12	19	47	2
	4	P2771202	4	12	19	47	2
	5	P2771203	5	12	19	47	2
	6	P2771204	6	12	19	47	2
	7	P2771205	7	12	19	47	2
	8	P2771206	8	12	19	47	2
HF20	3	P2771207	3	20	27	52.5	2
	4	P2771208	4	20	27	52.5	2
	5	P2771209	5	20	27	52.5	2
	6	P2771210	6	20	27	52.5	2
	7	P2771211	7	20	27	52.5	2
	8	P2771212	8	20	27	52.5	2
	9	P2771213	9	20	27	52.5	2
	10	P2771214	10	20	27	52.5	2
	11	P2771215	11	20	27	52.5	2
	12	P2771216	12	20	27	52.5	2
HF32	6	P2771221	6	32	39	63.5	3
	8	P2771222	8	32	39	63.5	3
	10	P2771223	10	32	39	63.5	3
	12	P2771224	12	32	39	63.5	3
	14	P2771225	14	32	39	63.5	3
	16	P2771226	16	32	39	63.5	3
	18	P2771227	18	32	39	63.5	3
	20	P2771228	20	32	39	63.5	3
	25	P2771229	25	32	39	63.5	3

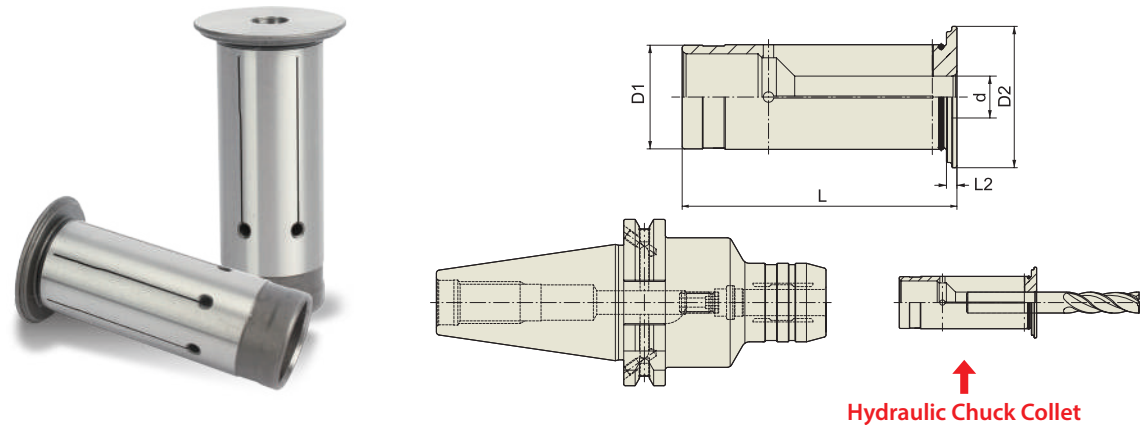
- ▶ Inch type products are available.
- ▶ Other special sizes of Hydraulic Chuck collets could be produced and supplied.

Feature HF Hydraulic Chuck collet (reduction sleeve) is for internal coolant flush.

Chucking Method Please assemble cutting tool with collet firstly, and then insert collet into Hydraulic Chuck.

COLLET (REDUCTION SLEEVE : For HIGH PRESSURE COOLANT)

HYDRAULIK SPANNFUTTER SPANNZANGE
 MANDRIN HYDRAULIQUE PINCE DE SERRAGE
 MANDRINI IDRAULICI PINZA DI SERRAGGIO
 PORTAHERRAMIENTAS HIDRAULICO PINZA PORTAPIEZAS



Unit : mm

MODEL No.	EDP No.	d	D1	D2	L	L2	
HR12	3	P2777601	3	12	19	47	2
	4	P2777602	4	12	19	47	2
	5	P2777603	5	12	19	47	2
	6	P2777604	6	12	19	47	2
	7	P2777605	7	12	19	47	2
	8	P2777606	8	12	19	47	2
HR20	3	P2777607	3	20	27	52.5	2
	4	P2777608	4	20	27	52.5	2
	5	P2777609	5	20	27	52.5	2
	6	P2777610	6	20	27	52.5	2
	7	P2777611	7	20	27	52.5	2
	8	P2777612	8	20	27	52.5	2
	9	P2777613	9	20	27	52.5	2
	10	P2777614	10	20	27	52.5	2
	11	P2777615	11	20	27	52.5	2
	12	P2777616	12	20	27	52.5	2
	13	P2777617	13	20	27	52.5	2
	14	P2777618	14	20	27	52.5	2
15	P2777619	15	20	27	52.5	2	
16	P2777620	16	20	27	52.5	2	
HR32	6	P2777621	6	32	39	63.5	3
	8	P2777622	8	32	39	63.5	3
	10	P2777623	10	32	39	63.5	3
	12	P2777624	12	32	39	63.5	3
	14	P2777625	14	32	39	63.5	3
	16	P2777626	16	32	39	63.5	3
	18	P2777627	18	32	39	63.5	3
	20	P2777628	20	32	39	63.5	3
	25	P2777629	25	32	39	63.5	3

- ▶ Inch type products are available.
- ▶ Other special sizes of Hydraulic Chuck collets could be produced and supplied.

Feature HR Hydraulic Chuck collet (reduction sleeve) is for high pressure coolant supply.

Chucking Method Please assemble cutting tool with collet firstly, and then insert collet into Hydraulic Chuck.

SHRINK FIT HEATING MACHINE

FEATURE

- ▶ Electromagnetic induction heating system
- ▶ Automatic voltage adjustment : AC 100v~240v
- ▶ Small size and light weight
- ▶ Easy to operate

SPECIFICATION

Characteristics	Specification
Model No.	SF-3300
Power	100V~240V AC, 50/60Hz, 3.0KW
Dimension	380mm(W) x 350mm(D) x 720mm(H)
Weight	22kg
Holder Support	SK, HSK, BT



YG ER COLLET CHUCK

GER

ER COLLET - GER (ULTRA PRECISION)

ER SPANNZANGE - GER
ER PINCE DE SERRAGE - GER
ER PINZA DI SERRAGGIO - GER
ER PINZA PORTAPIEZAS - GER

◇ T.I.R : ≤0.005mm at 3D



Unit : mm

GER 11			GER 20			GER 32			GER 40		
CLAMPING RANGE	CODE No.	EDP No.	CLAMPING RANGE	CODE No.	EDP No.	CLAMPING RANGE	CODE No.	EDP No.	CLAMPING RANGE	CODE No.	EDP No.
3.0 - 2.5	111030	P2772405	3.0 - 2.0	120030	P2772427	3.0 - 2.0	132030	P2772459	3.0 - 2.0	140030	P2772552
3.5 - 3.0	111035	P2772406	4.0 - 3.0	120040	P2772428	4.0 - 3.0	132040	P2772460	4.0 - 3.0	140040	P2772479
4.0 - 3.5	111040	P2772407	5.0 - 4.0	120050	P2772429	5.0 - 4.0	132050	P2772461	5.0 - 4.0	140050	P2772480
4.5 - 4.0	111045	P2772408	6.0 - 5.0	120060	P2772430	6.0 - 5.0	132060	P2772462	6.0 - 5.0	140060	P2772481
5.0 - 4.5	111050	P2772409	7.0 - 6.0	120070	P2772431	7.0 - 6.0	132070	P2772463	7.0 - 6.0	140070	P2772482
5.5 - 4.0	111055	P2772410	8.0 - 7.0	120080	P2772432	8.0 - 7.0	132080	P2772464	8.0 - 7.0	140080	P2772483
6.0 - 5.5	111060	P2772411	9.0 - 8.0	120090	P2772433	9.0 - 8.0	132090	P2772465	9.0 - 8.0	140090	P2772484
6.5 - 6.0	111065	P2772412	10.0 - 9.0	120100	P2772434	10.0 - 9.0	132100	P2772466	10.0 - 9.0	140100	P2772485
7.0 - 6.5	111070	P2772413	11.0 - 10.0	120110	P2772435	11.0 - 10.0	132110	P2772467	11.0 - 10.0	140110	P2772486
			12.0 - 11.0	120120	P2772436	12.0 - 11.0	132120	P2772468	12.0 - 11.0	140120	P2772487
			13.0 - 12.0	120130	P2772437	13.0 - 12.0	132130	P2772469	13.0 - 12.0	140130	P2772488
						14.0 - 13.0	132140	P2772470	14.0 - 13.0	140140	P2772489
						15.0 - 14.0	132150	P2772471	15.0 - 14.0	140150	P2772490
						16.0 - 15.0	132160	P2772472	16.0 - 15.0	140160	P2772491
						17.0 - 16.0	132170	P2772473	17.0 - 16.0	140170	P2772492
						18.0 - 17.0	132180	P2772474	18.0 - 17.0	140180	P2772493
						19.0 - 18.0	132190	P2772475	19.0 - 18.0	140190	P2772494
						20.0 - 19.0	132200	P2772476	20.0 - 19.0	140200	P2772495
									21.0 - 20.0	140210	P2772496
									22.0 - 21.0	140220	P2772497
									23.0 - 22.0	140230	P2772498
									24.0 - 23.0	140240	P2772499
									25.0 - 24.0	140250	P2772500
									26.0 - 25.0	140260	P2772551
									27.0 - 26.0	140270	P2772553
									28.0 - 27.0	140280	P2772554
									29.0 - 28.0	140290	P2772555
									30.0 - 29.0	140300	P2772556

GER 16			GER 25		
CLAMPING RANGE	CODE No.	EDP No.	CLAMPING RANGE	CODE No.	EDP No.
3.0 - 2.0	116030	P2772416	3.0 - 2.0	125030	P2772442
4.0 - 3.0	116040	P2772417	4.0 - 3.0	125040	P2772443
5.0 - 4.0	116050	P2772418	5.0 - 4.0	125050	P2772444
6.0 - 5.0	116060	P2772419	6.0 - 5.0	125060	P2772445
7.0 - 6.0	116070	P2772420	7.0 - 6.0	125070	P2772446
8.0 - 7.0	116080	P2772421	8.0 - 7.0	125080	P2772447
9.0 - 8.0	116090	P2772422	9.0 - 8.0	125090	P2772448
10.0 - 9.0	116100	P2772423	10.0 - 9.0	125100	P2772449
			11.0 - 10.0	125110	P2772450
			12.0 - 11.0	125120	P2772451
			13.0 - 12.0	125130	P2772452
			14.0 - 13.0	125140	P2772453
			15.0 - 14.0	125150	P2772454
			16.0 - 15.0	125160	P2772455

YG ER COLLET CHUCK

ER HP

ER COLLET (HIGH PRECISION)

ER SPANNZANGE - HP
ER PINCE DE SERRAGE - HP
ER PINZA DI SERRAGGIO - HP
ER PINZA PORTAPIEZAS - HP

◇ T.I.R : ≤0.010mm at 3D (I.D 1.0 ~ 10.0mm)
◇ T.I.R : ≤0.015mm at 3D (I.D >10mm)



Unit : mm

ER 8 HP			ER 11 HP			ER 16 HP			ER 20 HP		
CLAMPING RANGE	CODE No.	EDP No.	CLAMPING RANGE	CODE No.	EDP No.	CLAMPING RANGE	CODE No.	EDP No.	CLAMPING RANGE	CODE No.	EDP No.
1.0 - 0.5	208010H	P2506292H	1.0 - 0.5	211010H	P2506311H	1.0 - 0.5	216010H	P2506201H	2.0 - 1.0	220020H	P2506332H
1.5 - 1.0	208015H	P2506293H	1.5 - 1.0	211015H	P2506312H	2.0 - 1.0	216020H	P2506202H	3.0 - 2.0	220030H	P2506333H
2.0 - 1.5	208020H	P2506294H	2.0 - 1.5	211020H	P2506313H	3.0 - 2.0	216030H	P2506203H	4.0 - 3.0	220040H	P2506334H
2.5 - 2.0	208025H	P2506295H	2.5 - 2.0	211025H	P2506314H	4.0 - 3.0	216040H	P2506204H	5.0 - 4.0	220050H	P2506335H
3.0 - 2.5	208030H	P2506296H	3.0 - 2.5	211030H	P2506315H	5.0 - 4.0	216050H	P2506205H	6.0 - 5.0	220060H	P2506336H
3.5 - 3.0	208035H	P2506297H	3.5 - 3.0	211035H	P2506316H	6.0 - 5.0	216060H	P2506206H	7.0 - 6.0	220070H	P2506337H
4.0 - 3.5	208040H	P2506298H	4.0 - 3.5	211040H	P2506317H	7.0 - 6.0	216070H	P2506207H	8.0 - 7.0	220080H	P2506338H
4.5 - 4.0	208045H	P2506299H	4.5 - 4.0	211045H	P2506318H	8.0 - 7.0	216080H	P2506208H	9.0 - 8.0	220090H	P2506339H
5.0 - 4.5	208050H	P2506300H	5.0 - 4.5	211050H	P2506319H	9.0 - 8.0	216090H	P2506209H	10.0 - 9.0	220100H	P2506340H
			5.5 - 5.0	211055H	P2506320H	10.0 - 9.0	216100H	P2506210H	11.0 - 10.0	220120H	P2506341H
			6.0 - 5.5	211060H	P2506321H	1.5 - 1.0	216015H	P2778506H	12.0 - 11.0	220130H	P2506342H
			6.5 - 6.0	211065H	P2506322H	2.5 - 2.0	216025H	P2778507H	13.0 - 12.0	220140H	P2506343H
			7.0 - 6.5	211070H	P2506323H				1.0 - 0.5	220010H	P2506344H
STANDARD SET	208000H		STANDARD SET	211000H		STANDARD SET	216000H		STANDARD SET	220000H	
Ø1.0 - 5.0mm		P2506301H	Ø1.0 - 7.0mm		P2506302H	Ø1.0 - 10.0mm		P2506303H	Ø2.0 - 13.0mm		P2506304H
9pcs			13pcs			10pcs			12pcs		
WOODEN TRAY ZWT 8	108110		WOODEN TRAY ZWT 11	11110		WOODEN TRAY ZWT 16	016110		WOODEN TRAY ZWT 20	020110	

▶ Inch type collets are available.

SK (DIN 69871)

CBT (BT DUAL CONTACT)

BT (JIS B6339/ MAS 403)

HSK (DIN 69893/ ISO 12164)

STRAIGHT

ISO, NT, MT/MTB, GOST

TOOL HOLDER SET

BORING SYSTEM

ACCESSORY & PARTS

YG ER COLLET CHUCK

ER HP

ER COLLET (HIGH PRECISION)

ER SPANNZANGE - HP
ER PINCE DE SERRAGE - HP
ER PINZA DI SERRAGGIO - HP
ER PINZA PORTAPIEZAS - HP

◇ T.I.R : ≤0.010mm at 3D (I.D 1.0 ~ 10.0mm)
◇ T.I.R : ≤0.015mm at 3D (I.D >10mm)



Unit : mm

ER 25 HP			ER 32 HP			ER 40 HP			ER 50 HP		
CLAMPING RANGE	CODE No.	EDP No.	CLAMPING RANGE	CODE No.	EDP No.	CLAMPING RANGE	CODE No.	EDP No.	CLAMPING RANGE	CODE No.	EDP No.
2.0 - 1.0	225020H	P2506212H	3.0 - 2.0	232030H	P2506233H	4.0 - 3.0	240040H	P2506264H	6.0 - 4.0	250060H	P2778515H
3.0 - 2.0	225030H	P2506213H	4.0 - 3.0	232040H	P2506234H	5.0 - 4.0	240050H	P2506265H	8.0 - 6.0	250080H	P2778516H
4.0 - 3.0	225040H	P2506214H	5.0 - 4.0	232050H	P2506235H	6.0 - 5.0	240060H	P2506266H	10.0 - 8.0	250100H	P2778517H
5.0 - 4.0	225050H	P2506215H	6.0 - 5.0	232060H	P2506236H	7.0 - 6.0	240070H	P2506267H	12.0 - 10.0	250120H	P2506352H
6.0 - 5.0	225060H	P2506216H	7.0 - 6.0	232070H	P2506237H	8.0 - 7.0	240080H	P2506268H	14.0 - 12.0	250140H	P2506354H
7.0 - 6.0	225070H	P2506217H	8.0 - 7.0	232080H	P2506238H	9.0 - 8.0	240090H	P2506269H	16.0 - 14.0	250160H	P2506356H
8.0 - 7.0	225080H	P2506218H	9.0 - 8.0	232090H	P2506239H	10.0 - 9.0	240100H	P2506270H	18.0 - 16.0	250180H	P2506358H
9.0 - 8.0	225090H	P2506219H	10.0 - 9.0	232100H	P2506240H	11.0 - 10.0	240110H	P2506271H	20.0 - 18.0	250200H	P2506360H
10.0 - 9.0	225100H	P2506220H	11.0 - 10.0	232110H	P2506241H	12.0 - 11.0	240120H	P2506272H	22.0 - 20.0	250220H	P2506362H
11.0 - 10.0	225110H	P2506221H	12.0 - 11.0	232120H	P2506242H	13.0 - 12.0	240130H	P2506273H	24.0 - 22.0	250240H	P2506364H
12.0 - 11.0	225120H	P2506222H	13.0 - 12.0	232130H	P2506243H	14.0 - 13.0	240140H	P2506274H	25.0 - 23.0	250250H	P2778518H
13.0 - 12.0	225130H	P2506223H	14.0 - 13.0	232140H	P2506244H	15.0 - 14.0	240150H	P2506275H	26.0 - 24.0	250260H	P2506366H
14.0 - 13.0	225140H	P2506224H	15.0 - 14.0	232150H	P2506245H	16.0 - 15.0	240160H	P2506276H	28.0 - 26.0	250280H	P2506368H
15.0 - 14.0	225150H	P2506225H	16.0 - 15.0	232160H	P2506246H	17.0 - 16.0	240170H	P2506277H	30.0 - 28.0	250300H	P2506370H
16.0 - 15.0	225160H	P2506226H	17.0 - 16.0	232170H	P2506247H	18.0 - 17.0	240180H	P2506278H	32.0 - 30.0	250320H	P2506372H
1.0 - 0.5	225010H	P2506227H	18.0 - 17.0	232180H	P2506248H	19.0 - 18.0	240190H	P2506279H	34.0 - 32.0	250340H	P2506374H
1.5 - 1.0	225015H	P2506228H	19.0 - 18.0	232190H	P2506249H	20.0 - 19.0	240200H	P2506280H			
2.5 - 2.0	225025H	P2506229H	20.0 - 19.0	232200H	P2506250H	21.0 - 20.0	240210H	P2506281H			
			2.0 - 1.0	232020H	P2506251H	22.0 - 21.0	240220H	P2506282H			
			2.5 - 2.0	232025H	P2506252H	23.0 - 22.0	240230H	P2506283H			
						24.0 - 23.0	240240H	P2506284H			
						25.0 - 24.0	240250H	P2506285H			
						26.0 - 25.0	240260H	P2506286H			
						3.0 - 2.0	240030H	P2506287H			
						27.0 - 26.0	240270H	P2506288H			
						28.0 - 27.0	240280H	P2506289H			
						29.0 - 28.0	240290H	P2506290H			
						30.0 - 29.0	240300H	P2506291H			
STANDARD SET	225000H		STANDARD SET	232000H		STANDARD SET	240000H		STANDARD SET	250000H	
Ø2.0 - 16.0mm			Ø3.0 - 20.0mm			Ø4.0 - 26.0mm			Ø12.0 - 34.0mm		
15pcs		P2506305H	18pcs		P2506306H	23pcs		P2506307H	12pcs		P2506308H
WOODEN TRAY ZWT 25	025110		WOODEN TRAY ZWT 32	032110		WOODEN TRAY ZWT 40	40110		WOODEN TRAY ZWT 50	050110	

▶ Inch type collets are available.

YG ER COLLET CHUCK

ER UF

ER COLLET - UF

ER SPANNZANGE - UF
ER PINCE DE SERRAGE - UF
ER PINZA DI SERRAGGIO - UF
ER PINZA PORTAPIEZAS - UF

◇ T.I.R : ≤0.015mm at 3D (I.D 1.0 ~ 10.0mm)
◇ T.I.R : ≤0.020mm at 3D (I.D >10mm)



Unit : mm

ER 8			ER 11			ER 16			ER 20		
CLAMPING RANGE	CODE No.	EDP No.	CLAMPING RANGE	CODE No.	EDP No.	CLAMPING RANGE	CODE No.	EDP No.	CLAMPING RANGE	CODE No.	EDP No.
1.0 - 0.5	208010	P2506292	1.0 - 0.5	211010	P2506311	1.0 - 0.5	216010	P2506201	2.0 - 1.0	220020	P2506332
1.5 - 1.0	208015	P2506293	1.5 - 1.0	211015	P2506312	1.5 - 1.0	216020	P2506202	3.0 - 2.0	220030	P2506333
2.0 - 1.5	208020	P2506294	2.0 - 1.5	211020	P2506313	2.0 - 1.5	216030	P2506203	4.0 - 3.0	220040	P2506334
2.5 - 2.0	208025	P2506295	2.5 - 2.0	211025	P2506314	2.5 - 2.0	216040	P2506204	5.0 - 4.0	220050	P2506335
3.0 - 2.5	208030	P2506296	3.0 - 2.5	211030	P2506315	3.0 - 2.5	216050	P2506205	6.0 - 5.0	220060	P2506336
3.5 - 3.0	208035	P2506297	3.5 - 3.0	211035	P2506316	3.5 - 3.0	216060	P2506206	7.0 - 6.0	220070	P2506337
4.0 - 3.5	208040	P2506298	4.0 - 3.5	211040	P2506317	4.0 - 3.5	216070	P2506207	8.0 - 7.0	220080	P2506338
4.5 - 4.0	208045	P2506299	4.5 - 4.0	211045	P2506318	4.5 - 4.0	216080	P2506208	9.0 - 8.0	220090	P2506339
5.0 - 4.5	208050	P2506300	5.0 - 4.5	211050	P2506319	5.0 - 4.5	216090	P2506209	10.0 - 9.0	220100	P2506340
			5.5 - 5.0	211055	P2506320	5.5 - 5.0	216100	P2506210	11.0 - 10.0	220120	P2506341
			6.0 - 5.5	211060	P2506321	6.0 - 5.5	216105	P2778506	12.0 - 11.0	220130	P2506342
			6.5 - 6.0	211065	P2506322	6.5 - 6.0	216025	P2778507	13.0 - 12.0	220140	P2506343
			7.0 - 6.5	211070	P2506323				1.0 - 0.5	220010	P2506344
									1.5 - 1.0	220015	P2506345
									2.5 - 2.0	220025	P2506346
STANDARD SET	208000		STANDARD SET	211000		STANDARD SET	216000		STANDARD SET	220000	
Ø1.0 - 5.0mm		P2506301	Ø1.0 - 7.0mm		P2506302	Ø1.0 - 10.0mm		P2506303	Ø2.0 - 13.0mm		P2506304
9pcs			13pcs			10pcs			12pcs		
WOODEN TRAY ZWT 8	108110		WOODEN TRAY ZWT 11	011110		WOODEN TRAY ZWT 16	016110		WOODEN TRAY ZWT 20	020110	

▶ Inch type collets are available.

ER COLLET - UF

ER SPANNZANGE - UF
ER PINCE DE SERRAGE - UF
ER PINZA DI SERRAGGIO - UF
ER PINZA PORTAPIEZAS - UF

◇ T.I.R: ≤0.015mm at 3D (I.D 1.0 ~ 10.0mm)
◇ T.I.R: ≤0.020mm at 3D (I.D >10mm)



Unit : mm

ER 25			ER 32			ER 40			ER 50		
CLAMPING RANGE	CODE No.	EDP No.	CLAMPING RANGE	CODE No.	EDP No.	CLAMPING RANGE	CODE No.	EDP No.	CLAMPING RANGE	CODE No.	EDP No.
2.0 - 1.0	225020	P2506212	3.0 - 2.0	232030	P2506233	4.0 - 3.0	240040	P2506264	12.0 - 10.0	250120	P2506352
3.0 - 2.0	225030	P2506213	4.0 - 3.0	232040	P2506234	5.0 - 4.0	240050	P2506265	14.0 - 12.0	250140	P2506354
4.0 - 3.0	225040	P2506214	5.0 - 4.0	232050	P2506235	6.0 - 5.0	240060	P2506266	16.0 - 14.0	250160	P2506356
5.0 - 4.0	225050	P2506215	6.0 - 5.0	232060	P2506236	7.0 - 6.0	240070	P2506267	18.0 - 16.0	250180	P2506358
6.0 - 5.0	225060	P2506216	7.0 - 6.0	232070	P2506237	8.0 - 7.0	240080	P2506268	20.0 - 18.0	250200	P2506360
7.0 - 6.0	225070	P2506217	8.0 - 7.0	232080	P2506238	9.0 - 8.0	240090	P2506269	22.0 - 20.0	250220	P2506362
8.0 - 7.0	225080	P2506218	9.0 - 8.0	232090	P2506239	10.0 - 9.0	240100	P2506270	24.0 - 22.0	250240	P2506364
9.0 - 8.0	225090	P2506219	10.0 - 9.0	232100	P2506240	11.0 - 10.0	240110	P2506271	26.0 - 24.0	250260	P2506366
10.0 - 9.0	225100	P2506220	11.0 - 10.0	232110	P2506241	12.0 - 11.0	240120	P2506272	28.0 - 26.0	250280	P2506368
11.0 - 10.0	225110	P2506221	12.0 - 11.0	232120	P2506242	13.0 - 12.0	240130	P2506273	30.0 - 28.0	250300	P2506370
12.0 - 11.0	225120	P2506222	13.0 - 12.0	232130	P2506243	14.0 - 13.0	240140	P2506274	32.0 - 30.0	250320	P2506372
13.0 - 12.0	225130	P2506223	14.0 - 13.0	232140	P2506244	15.0 - 14.0	240150	P2506275	34.0 - 32.0	250340	P2506374
14.0 - 13.0	225140	P2506224	15.0 - 14.0	232150	P2506245	16.0 - 15.0	240160	P2506276	6.0 - 4.0	250060	P2778515
15.0 - 14.0	225150	P2506225	16.0 - 15.0	232160	P2506246	17.0 - 16.0	240170	P2506277	8.0 - 6.0	250080	P2778516
16.0 - 15.0	225160	P2506226	17.0 - 16.0	232170	P2506247	18.0 - 17.0	240180	P2506278	10.0 - 8.0	250100	P2778517
1.0 - 0.5	225010	P2506227	18.0 - 17.0	232180	P2506248	19.0 - 18.0	240190	P2506279	25.0 - 23.0	250250	P2778518
1.5 - 1.0	225015	P2506228	19.0 - 18.0	232190	P2506249	20.0 - 19.0	240200	P2506280			
2.5 - 2.0	225025	P2506229	20.0 - 19.0	232200	P2506250	21.0 - 20.0	240210	P2506281			
			2.0 - 1.0	232020	P2506251	22.0 - 21.0	240220	P2506282			
			2.5 - 2.0	232025	P2506252	23.0 - 22.0	240230	P2506283			
						24.0 - 23.0	240240	P2506284			
						25.0 - 24.0	240250	P2506285			
						26.0 - 25.0	240260	P2506286			
						3.0 - 2.0	240030	P2506287			
						27.0 - 26.0	240270	P2506288			
						28.0 - 27.0	240280	P2506289			
						29.0 - 28.0	240290	P2506290			
						30.0 - 29.0	240300	P2506291			
STANDARD SET	225000		STANDARD SET	232000		STANDARD SET	240000		STANDARD SET	250000	
Ø2.0 - 16.0mm			Ø3.0 - 20.0mm			Ø4.0 - 26.0mm			Ø12.0 - 34.0mm		
15pcs		P2506305	18pcs		P2506306	23pcs		P2506307	12pcs		P2506308
WOODEN TRAY ZWT 25	025110		WOODEN TRAY ZWT 32	032110		WOODEN TRAY ZWT 40	040110		WOODEN TRAY ZWT 50	050110	

► Inch type collets are available.

SEALED ER COLLET

VERSIEGELT ER SPANNZANGE
SCELLÉ ER PINCE DE SERRAGE
SIGILLATO ER PINZA DI SERRAGGIO
SELLADO ER PINZA PORTAPIEZAS



◇ Rubber Sealed

Unit : mm

ER 11S		ER 16S		ER 20S	
CLAMPING RANGE	EDP No.	CLAMPING RANGE	EDP No.	CLAMPING RANGE	EDP No.
3.0	P2506315S	3.0	P2506203S	3.0	P2506333S
3.5	P2506316S	4.0	P2506204S	4.0	P2506334S
4.0	P2506317S	5.0	P2506205S	5.0	P2506335S
4.5	P2506318S	6.0	P2506206S	6.0	P2506336S
5.0	P2506319S	7.0	P2506207S	7.0	P2506337S
5.5	P2506320S	8.0	P2506208S	8.0	P2506338S
6.0	P2506321S	9.0	P2506209S	9.0	P2506339S
6.5	P2506322S	10.0	P2506210S	10.0	P2506340S
7.0	P2506323S	-		11.0	P2506341S
-		-		12.0	P2506342S
-		-		13.0	P2506343S
-		-		-	
-		-		-	
STANDARD SET	P2506302S	STANDARD SET	P2506303S	STANDARD SET	P2506304S
Ø3.0 - 7.0mm		Ø3.0 - 10.0mm		Ø3.0 - 13.0mm	
9pcs		8pcs		11pcs	
WOODEN TRAY ZWT 11		WOODEN TRAY ZWT 16		WOODEN TRAY ZWT 20	

► Inch type collets are available.

YG ER COLLET CHUCK

ERS

SEALED ER COLLET

VERSIEGELT ER SPANNZANGE
 SCELLÉ ER PINCE DE SERRAGE
 SIGILLATO ER PINZA DI SERRAGGIO
 SELLADO ER PINZA PORTAPIEZAS



◇ Rubber Sealed

Unit : mm

ER 25S		ER 32S		ER 40S		ER 50S	
CLAMPING RANGE	EDP No.	CLAMPING RANGE	EDP No.	CLAMPING RANGE	EDP No.	CLAMPING RANGE	EDP No.
3.0	P2506213S	3.0	P2506233S	3.0	P2506287S	6.0	P2778515S
4.0	P2506214S	4.0	P2506234S	4.0	P2506264S	8.0	P2778516S
5.0	P2506215S	5.0	P2506235S	5.0	P2506265S	10.0	P2778517S
6.0	P2506216S	6.0	P2506236S	6.0	P2506266S	12.0	P2506352S
7.0	P2506217S	7.0	P2506237S	7.0	P2506267S	14.0	P2506354S
8.0	P2506218S	8.0	P2506238S	8.0	P2506268S	16.0	P2506356S
9.0	P2506219S	9.0	P2506239S	9.0	P2506269S	18.0	P2506358S
10.0	P2506220S	10.0	P2506240S	10.0	P2506270S	20.0	P2506360S
11.0	P2506221S	11.0	P2506241S	11.0	P2506271S	22.0	P2506362S
12.0	P2506222S	12.0	P2506242S	12.0	P2506272S	24.0	P2506364S
13.0	P2506223S	13.0	P2506243S	13.0	P2506273S	25.0	P2778518S
14.0	P2506224S	14.0	P2506244S	14.0	P2506274S	26.0	P2506366S
15.0	P2506225S	15.0	P2506245S	15.0	P2506275S	28.0	P2506368S
16.0	P2506226S	16.0	P2506246S	16.0	P2506276S	30.0	P2506370S
-		17.0	P2506247S	18.0	P2506277S	32.0	P2506372S
-		18.0	P2506248S	19.0	P2506278S	34.0	P2506374S
-		19.0	P2506249S	20.0	P2506279S	-	
-		20.0	P2506250S	21.0	P2506280S	-	
-		-		22.0	P2506281S	-	
-		-		23.0	P2506282S	-	
-		-		24.0	P2506283S	-	
-		-		17.0	P2506284S	-	
-		-		25.0	P2506285S	-	
-		-		26.0	P2506286S	-	
-		-		-		-	
STANDARD SET	P2506305S	STANDARD SET	P2506306S	STANDARD SET	P2506307S	STANDARD SET	P2506308S
Ø3.0 - 16.0mm		Ø3.0 - 20.0mm		Ø4.0 - 26.0mm		Ø12.0 - 34.0mm	
14pcs		18pcs		24pcs		16pcs	
WOODEN TRAY ZWT 25		WOODEN TRAY ZWT 32		WOODEN TRAY ZWT 40		WOODEN TRAY ZWT 50	

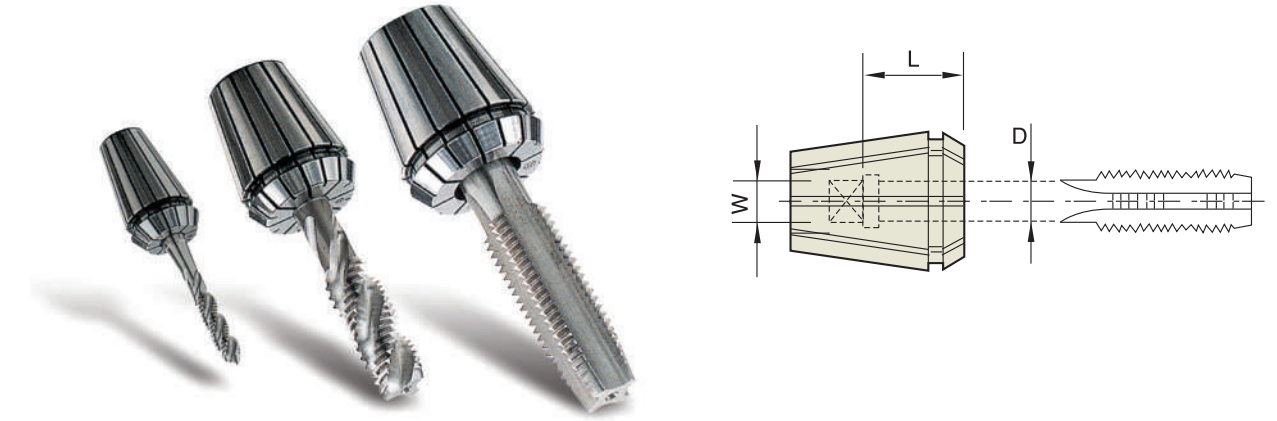
► Inch type collets are available.

YG ER COLLET CHUCK

RDT

TAP ER COLLET (JIS)

ER SPANNZANGE - FÜR GEWINDESCHNEID
 ER PINCE DE SERRAGE - POUR TARAUDER
 ER PINZA DI SERRAGGIO - PER MASCHIARE
 ER PINZA PORTAPIEZAS - PARA HILO



Below standard Tap ER Collet conforms to JIS.

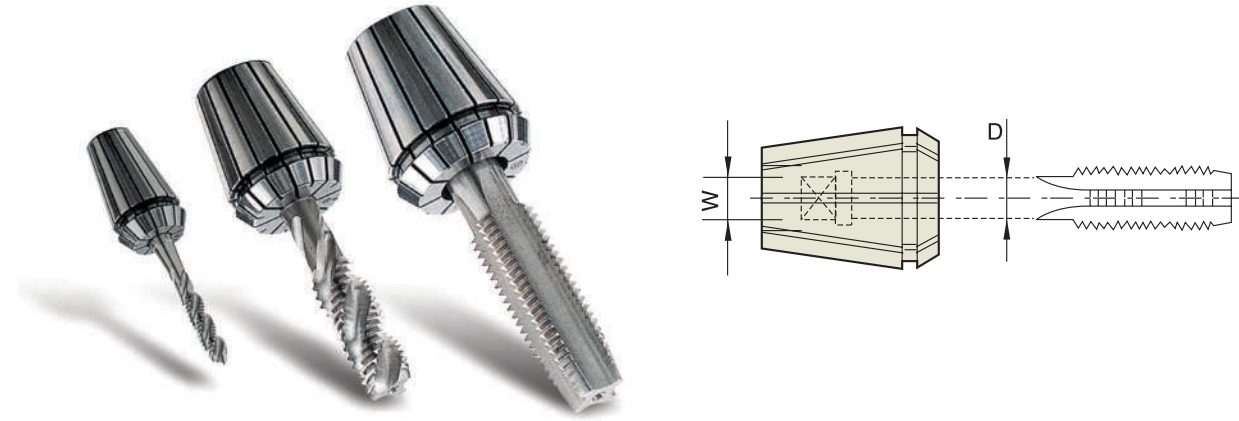
Unit : mm

TAP	RDT 16			RDT 20			RDT 25			RDT 32			RDT 40							
	D(Ø)	W(□)	L	EDP No.	D(Ø)	W(□)	L	EDP No.	D(Ø)	W(□)	L	EDP No.	D(Ø)	W(□)	L	EDP No.				
M2	3.0	2.5	15	P2772501																
M3	4.0	3.2	15	P2772502	4.0	3.2	15	P2772507	4.0	3.2	15	P2772513								
M4	5.0	4.0	15	P2772503	5.0	4.0	15	P2772508	5.0	4.0	15	P2772514	5.0	4.0	15	P2772521				
M5	5.5	4.5	15	P2772504	5.5	4.5	15	P2772509	5.5	4.5	15	P2772515	5.5	4.5	15	P2772522				
M6	6.0	4.5	15	P2772505	6.0	4.5	15	P2772510	6.0	4.5	15	P2772516	6.0	4.5	15	P2772523				
M8	6.2	5.0	15	P2772506	6.2	5.0	20	P2772511	6.2	5.0	20	P2772517	6.2	5.0	20	P2772524	6.2	5.0	20	P2772530
M10					7.0	5.5	20	P2772512	7.0	5.5	20	P2772518	7.0	5.5	20	P2772525	7.0	5.5	20	P2772531
M12									8.5	6.5	20	P2772519	8.5	6.5	20	P2772526	8.5	6.5	25	P2772532
M14									10.5	8.0	20	P2772520	10.5	8.0	20	P2772527	10.5	8.0	25	P2772533
M16													12.5	10.0	20	P2772528	12.5	10.0	25	P2772534
M18													14.0	11.0	20	P2772529	14.0	11.0	25	P2772535
M20																	15.0	12.0	28	P2772536
M22																	17.0	13.0	28	P2772537
M24																	19.0	15.0	28	P2772538

► Inch type collets are available.

TAP ER COLLET (DIN)

ER SPANNZANGE - FÜR GEWINDESCHNEID
ER PINCE DE SERRAGE - POUR TARAUDER
ER PINZA DI SERRAGGIO - PER MASCHIARE
ER PINZA PORTAPIEZAS - PARA HILO



Below standard Tap Adaptor conforms to DIN.

Unit : mm

DIN STANDARD			RD 11TC			RD 16TC			RD 20TC			RD 25TC			RD 32TC			RD 40TC			RD 50TC				
DIN 374/376	DIN 352/2181	DIN 371	D (Ø)	W (□)	EDP No.	D (Ø)	W (□)	EDP No.	D (Ø)	W (□)	EDP No.	D (Ø)	W (□)	EDP No.	D (Ø)	W (□)	EDP No.	D (Ø)	W (□)	EDP No.	D (Ø)	W (□)	EDP No.		
M5	M3	M3	3.5	2.7	P2772501D	3.5	2.7	P2772507D	3.5	2.7	P2772514D	3.5	2.7	P2772524D	3.5	2.7	P2772538D	3.5	2.7	P2772552D					
M5.5	M3.5	M3.5	4.0	3.0	P2772502D	4.0	3.0	P2772508D	4.0	3.0	P2772515D	4.0	3.0	P2772525D	4.0	3.0	P2772539D	4.0	3.0	P2772553D					
M6	M4	M4	4.5	3.4	P2772503D	4.5	3.4	P2772509D	4.5	3.4	P2772516D	4.5	3.4	P2772526D	4.5	3.4	P2772540D	4.5	3.4	P2772554D					
M5	-	-	5.0	4.0	P2772504D	5.0	4.0	P2772510D	5.0	4.0	P2772517D	5.0	4.0	P2772527D	5.0	4.0	P2772541D	5.0	4.0	P2772555D					
M7	-	-	5.5	4.3	P2772505D	5.5	4.3	P2772511D	5.5	4.3	P2772518D	5.5	4.3	P2772528D	5.5	4.3	P2772542D	5.5	4.3	P2772556D					
M8	M4.5-M8	M4.5-M8	6.0	4.9	P2772506D	6.0	4.9	P2772512D	6.0	4.9	P2772519D	6.0	4.9	P2772529D	6.0	4.9	P2772543D	6.0	4.9	P2772557D					
M9+M10	M9+M10	M7				7.0	5.5	P2772513D	7.0	5.5	P2772520D	7.0	5.5	P2772530D	7.0	5.5	P2772544D	7.0	5.5	P2772558D					
M11	M11	M8							8.0	6.2	P2772521D	8.0	6.2	P2772531D	8.0	6.2	P2772545D	8.0	6.2	P2772559D	8.0	6.2	P2772569D		
M12	M12	M9							9.0	7.0	P2772522D	9.0	7.0	P2772532D	9.0	7.0	P2772546D	9.0	7.0	P2772560D	9.0	7.0	P2772570D		
-	-	M10							10.0	8.0	P2772523D	10.0	8.0	P2772533D	10.0	8.0	P2772547D	10.0	8.0	P2772561D	10.0	8.0	P2772571D		
M13+M14	M13+M14	-										11.0	9.0	P2772534D	11.0	9.0	P2772548D	11.0	9.0	P2772562D	11.0	9.0	P2772572D		
M15-M17	M15-M17	-										12.0	9.0	P2772535D	12.0	9.0	P2772549D	12.0	9.0	P2772563D	12.0	9.0	P2772573D		
M18+M19	M18+M19	-										14.0	11.0	P2772536D	14.0	11.0	P2772550D	14.0	11.0	P2772564D	14.0	11.0	P2772574D		
M20+M21	M20+M21	-										16.0	12.0	P2772537D	16.0	12.0	P2772551D	16.0	12.0	P2772565D	16.0	12.0	P2772575D		
M22-M26	M22-M26	-																18.0	14.5	P2772566D	18.0	14.5	P2772576D		
M27+M28	M27+M28	-																20.0	16.0	P2772567D	20.0	16.0	P2772577D		
M29-M32	M29-M32	-																22.0	18.0	P2772568D	22.0	18.0	P2772578D		
M33	M33	-																			25.0	20.0	P2772579D		
M34-M38	M34-M38	-																				28.0	22.0	P2772580D	
M39-M42	M39-M42	-																				32.0	24.0	P2772581D	

► Inch type collets are available.

ER NUT

ER NUSS
ER ÉCROU
ER DADO
ERTUERCA

DIN 6499/ISO 15488

■ SQ-ER (Standard : Hex.)

Unit : mm

MODEL No.	EDP No.	THREAD	Dia.	LENGTH
SQ-ER11	P2700006	M14x0.75	19.0	12.0
SQ-ER16	P2700001	M22x1.50	28.0	18.0
SQ-ER20	P2700002	M25x1.50	34.0	19.5



■ SQ-ER (Standard : Round)

Unit : mm

MODEL No.	EDP No.	THREAD	Dia.	LENGTH
SQ-ER25	P2700003	M32x1.50	42.0	20.5
SQ-ER32	P2700004	M40x1.50	50.0	23.0
SQ-ER40	P2700005	M50x1.50	63.0	26.0
SQ-ER50	P2700007	M64x2.00	78.0	35.0



■ XSQ-R (Standard : Hex.)

Unit : mm

MODEL No.	EDP No.	THREAD	Dia.	LENGTH
XSQ-R11	P2777002	M14x0.75	19.0	12.0
XSQ-R16	P2777003	M22x1.50	28.0	18.0
XSQ-R20	P2777004	M25x1.50	34.0	19.5



■ XSQ-RU (Standard : Round)

Unit : mm

MODEL No.	EDP No.	THREAD	Dia.	LENGTH
XSQ-RU25	P2777005	M32x1.50	42.0	20.5
XSQ-RU32	P2777006	M40x1.50	50.0	23.0
XSQ-RU40	P2777007	M50x1.50	63.0	26.0
XSQ-RU50	P2777008	M64x2.00	78.0	35.0



ER NUT
 ER NUSS
 ER ÉCROU
 ER DADO
 ERTUERCA

■ XSQ-RT (Sealing Disk Type : Hex.)

Unit : mm

MODEL No.	EDP No.	THREAD	Dia.	LENGTH
XSQ-RT16	P2777009	M22×1.50	28.0	22.5
XSQ-RT20	P2777010	M25×1.50	34.0	24.0


■ XSQ-RUT (Sealing Disk Type : Round)

Unit : mm

MODEL No.	EDP No.	THREAD	Dia.	LENGTH
XSQ-RUT16	P2777011	M22×1.50	32.0	22.5
XSQ-RUT20	P2777012	M25×1.50	35.0	24.0
XSQ-RUT25	P2777013	M32×1.50	42.0	25.0
XSQ-RUT32	P2777014	M40×1.50	50.0	27.5
XSQ-RUT40	P2777015	M50×1.50	63.0	30.5


■ XSQ-RSU (Sleeve Bearing Type)

Unit : mm

MODEL No.	EDP No.	THREAD	Dia.	LENGTH
XSQ-RSU16	P2777016	M22×1.50	32.0	18.0
XSQ-RSU20	P2777017	M25×1.50	35.0	20.0
XSQ-RSU25	P2777018	M32×1.50	42.0	20.5
XSQ-RSU32	P2777019	M40×1.50	50.0	23.0
XSQ-RSU40	P2777020	M50×1.50	63.0	26.0


■ XSQ-RST (Sleeve Bearing / Sealing Disk Type : Hex.)

Unit : mm

MODEL No.	EDP No.	THREAD	Dia.	LENGTH
XSQ-RST16	P2777021	M22×1.50	28.0	22.5
XSQ-RST20	P2777022	M25×1.50	34.0	24.5


■ XSQ-RSUT (Sleeve Bearing / Sealing Disk Type : Round)

Unit : mm

MODEL No.	EDP No.	THREAD	Dia.	LENGTH
XSQ-RSUT16	P2777023	M22×1.50	32.0	22.5
XSQ-RSUT20	P2777024	M25×1.50	35.0	24.5
XSQ-RSUT25	P2777025	M32×1.50	42.0	25.0
XSQ-RSUT32	P2777026	M40×1.50	50.0	27.5
XSQ-RSUT40	P2777027	M50×1.50	63.0	30.5

ER NUT
 ER NUSS
 ER ÉCROU
 ER DADO
 ERTUERCA

■ XSQ-RM (Mini Nut : Standard Type)

Unit : mm

MODEL No.	EDP No.	THREAD	Dia.	LENGTH
XSQ-R08M	P2777038	M10×0.75	12.0	11.0
XSQ-R11M	P2777039	M13×0.75	16.0	12.0
XSQ-R16M	P2777040	M19×1.00	22.0	18.0
XSQ-R20M	P2777041	M24×1.00	28.0	19.5
XSQ-R25M	P2777042	M30×1.00	35.0	20.5


■ XSQ-RTM (Mini Nut : Sealing Disk Type)

Unit : mm

MODEL No.	EDP No.	THREAD	Dia.	LENGTH
XSQ-RT16M	P2777043	M19×1.00	22.0	22.5
XSQ-RT20M	P2777044	M24×1.00	28.0	24.0
XSQ-RT25M	P2777045	M30×1.00	35.0	25.0

ER NUT & SEALING DISK

ER NUSS
ER ÉCROU
ER DADO
ERTUERCA



■ XSQ-RA (External Thread Type)

Unit : mm

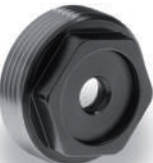
MODEL No.	EDP No.	THREAD	Dia.	LENGTH
XSQ-RA11	P2777046	M18×1.00	18.0	6.0
XSQ-RA16	P2777047	M24×1.00	24.0	8.0
XSQ-RA20	P2777048	M28×1.50	28.0	11.0
XSQ-RA25	P2777049	M32×1.50	32.0	12.5

■ XSQ-RAT (External Thread / Sealing Disk Type)

Unit : mm

MODEL No.	EDP No.	THREAD	Dia.	LENGTH
XSQ-RAT16	P2777052	M24×1.00	24.0	11.0
XSQ-RAT20	P2777053	M28×1.50	28.0	12.5
XSQ-RAT25	P2777054	M32×1.50	32.0	14.0
XSQ-RAT32	P2777001	M40×1.50	40.0	17.5

* Without sealing disk



■ SEALING DISK

Unit : mm

MODEL No.	EDP No.	Dia.	INNER DIA. (Step : 0.5mm)	THICKNESS
DS16	P2777055	13.0	2.5 - 10	4.0
DS20	P2777056	16.0	2.5 - 13.0	4.0
DS25	P2777057	21.0	2.5 - 16.0	4.0
DS32	P2777058	27.0	2.5 - 20.0	4.0
DS40	P2777059	33.5	2.5 - 26.0	4.0
DS50	P2777060	31.0	3.5 - 25.0	4.0

■ SEALING DISK SET

Unit : mm

MODEL No.	EDP No.	Dia.	THICKNESS	INNER DIA. RANGE	SEALING DISKS / SET
DS16S2	P2777061	13.0	4.0	4.0 ~ 10.0	7pcs / set
DS20S2	P2777062	16.0	4.0	4.0 ~ 13.0	10pcs / set
DS25S2	P2777063	21.0	4.0	4.0 ~ 16.0	13pcs / set
DS32S2	P2777064	27.0	4.0	4.0 ~ 20.0	17pcs / set
DS40S2	P2777065	33.5	4.0	4.0 ~ 26.0	23pcs / set
DS50S2	P2777066	31.0	4.0	4.0 ~ 25.0	22pcs / set



ER SPANNER / WRENCH

ER MAULSCHLÜSEL
ER CL
ER CHIAVE
ER LLAVE



FIG.1



FIG.2



■ FOR ER / SKN NUT

Unit : mm

MODEL No.	EDP No.	A	B	APPLICABLE NUT
ER11SP	P2772601	-	-	ER11
ER16SP	P2772602	50	160	ER16
ER20SP	P2772603	55	180	ER20 (FIG.1)
ER25SP	P2772604	65	210	ER25
ER32SP	P2772605	75	250	ER32 (FIG.2)
ER40SP	P2772606	90	290	ER40 (FIG.2)
ER50SP	P2772612	110	350	ER50 (FIG.2)

▶ Design and shape could be changed without prior notice.

■ FOR ER Mini NUT

Unit : mm

MODEL No.	EDP No.	A	B	APPLICABLE NUT
GE8M	P2772608	12.4	70	ER8M
GE11M	P2772609	16.8	90	ER11M
GE16M	P2772610	22.5	110	ER16M
GE20M	P2772611	29.0	120	ER20M
GE25M	P2772607	36.0	130	ER25M

▶ Design and shape could be changed without prior notice.

SK (DIN 69871)

CBT (BT DUAL CONTACT)

BT (JIS B6339/ MAS 403)

HSK (DIN 69893/ ISO 12164)

STRAIGHT

ISO, NT, MTA/MTB, GOST

TOOL HOLDER SET

BORING SYSTEM

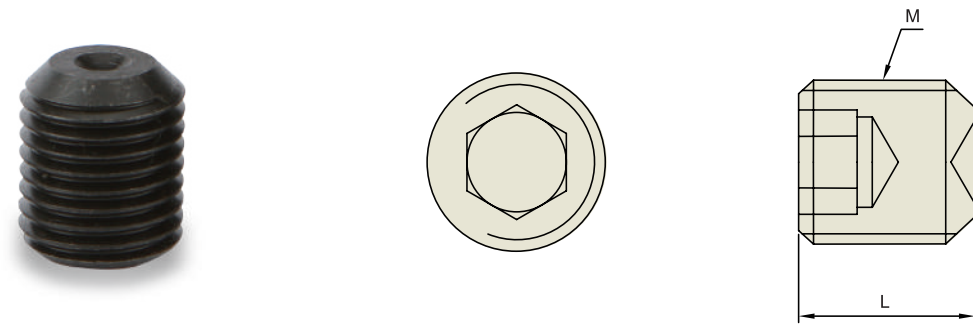
ACCESSORY & PARTS

YG END MILL HOLDER & SIDE LOCK ARBOR

PART

SIDE LOCK BOLT

ER NUSS
ER ÉCROU
ER DADO
ERTUERCA



Unit : mm

EMH & SLA ID	EMH			SLA		
	M	EDP No.	L	M	EDP No.	L
6	M6x1.0	P2778088	10.5	M5x0.8	P2778079	8
8	M8x1.25	P2778089	10.5	M6x1.0	P2778080	10
10	M10x1.5	P2778090	12.5	M8x1.25	P2778081	12
12	M12x1.75	P2778091	16.5	M10x1.5	P2778082	14
14	M12x1.75	P2778092	15	M10x1.5	P2778082	14
16	M14x2.0	P2778093	16.5	M12x1.75	P2778083	12
18	M14x2.0	P2778093	16.5	-	-	-
20	M16x2.0	P2778094	16.5	M12x1.75	P2778084	16
25	M18x2.0	P2778095	20.5	M14x2.0	P2778085	14
32	M20x2.0	P2778096	20.5	M16x2.0	P2778086	16
40	M20x2.0	P2778096	20.5	M16x2.0	P2778086	16
42	-	-	-	M16x2.0	P2778086	16
50	M24x2.0	P2778098	25.5	-	-	-
50.8	-	-	-	M20x2.5	P2778087	25

YG SHELL MILL ARBOR

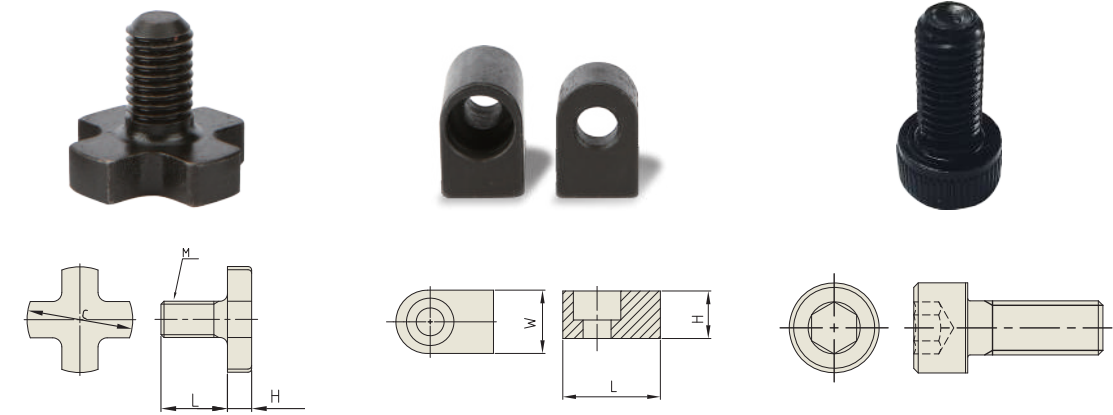
PART

COLLAR BOLT & DRIVE KEY

COLLAR BOLT

DRIVE KEY

KEY BOLT



■ ACCESSORIES (Standard SMA)

Unit : mm

SPIGOT Dia.	COLLAR BOLT			DRIVE KEY		KEY BOLT	
	SPEC.	EDP No.	Head Dia.(C)	SPEC.(W x H x L)	EDP No.	SPEC.	EDP No.
16	M8 x 1.25 x 16L	P2514051	20	8 x 7 x 12.8	P2778857	M3x0.5x10L	P2778875
22	M10 x 1.5 x 18L	P2514052	28	10 x 7.8 x 15.5	P2778858	M4x0.7x10L	P2778864
27	M12 x 1.75 x 22L	P2514053	35	12 x 9 x 18.5	P2778859	M5x0.8x12L	P2778865
32	M16 x 2.0 x 26L	P2514054	42	14 x 11.5 x 20.5	P2778860	M6x1.0x15L	P2778866
40	M20 x 2.5 x 30L	P2514055	52	16 x 13.5 x 23.5	P2778861	M6x1.0x15L	P2778866
50	M24 x 3.0 x 36L	P2514056	63	18 x 18 x 28.5	P2778862	M6x1.0x20L	P2778868

■ ACCESSORIES (Large Face SMA)

Unit : mm

SPIGOT Dia.	COLLAR BOLT			DRIVE KEY		KEY BOLT	
	SPEC.	EDP No.	Head Dia.(C)	SPEC.(W x H x L)	EDP No.	SPEC.	EDP No.
16	M8 x 1.25 x 16L	P2514051	20	8 x 9.7 x 10	P2778876	M3x0.5x12L	P2778881
22	M10 x 1.5 x 18L	P2514052	28	10 x 10.8 x 11.2	P2778877	M4x0.7x12L	P2778882
27	M12 x 1.75 x 22L	P2514053	35	12 x 12.6 x 13.6	P2778878	M5x0.8x15L	P2778883
32	M16 x 2.0 x 26L	P2514054	42	14 x 14 x 21	P2778879	M6x1.0x15L	P2778866
40	M20 x 2.5 x 30L	P2514055	52	16 x 16 x 21	P2778880	M6x1.0x15L	P2778866

SK (DIN 69871)

CBT (BT DUAL CONTACT)

BT (JIS B6339/MAS 403)

HSK (DIN 69893/ISO 12164)

STRAIGHT

ISO, NT, MTA/MTB, GOST

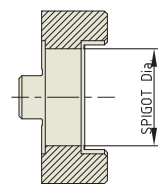
TOOL HOLDER SET

BORING SYSTEM

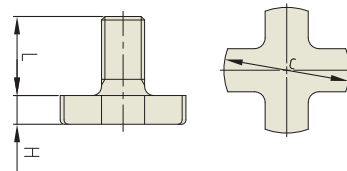
ACCESSORY & PARTS

DRIVE RING, BOLT & KEY

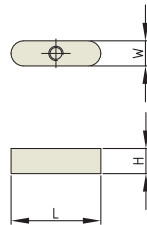
CLUTCH DRIVE RING



COLLAR BOLT



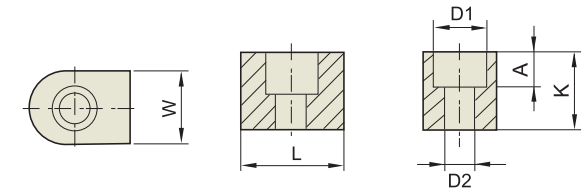
KEY



Unit : mm

SPIGOT Dia.	CLUTCH DRIVE RING		COLLAR BOLT			KEY	
	SPEC.	EDP No.	SPEC.	EDP No.	Head Dia.(C)	SPEC.(W x H x L)	EDP No.
16	#16	P2514063	M8x1.25x16	P2514051	20	4x4x20	P2514057
22	#22	P2514064	M10x1.5x18	P2514052	28	6x6x25	P2514058
27	#27	P2514065	M12x1.75x22	P2514053	35	7x7x28	P2514059
32	#32	P2514066	M16x2.0x26	P2514054	42	8x7x28	P2514060
40	#40	P2514067	M20x2.5x30	P2514055	52	10x8x32	P2514061
50	#50	P2514068	M24x3.0x36	P2514056	63	12x8x36	P2514062

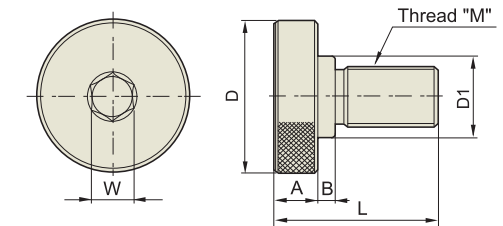
DRIVE KEY & MOUNTING BOLT



KEY

Unit : mm

KEY	EDP No.	W	K	L	D1	D2	A	APPLICABLE ARBOR
9.52 x 9.52 x 10.2	P2774753	9.52	9.52	10.2	7.5	4.5	5.2	FMA25.4 / FMB25.4
9.5 x 12 x 11	P2774754	9.5	12	11	7.5	4.2	5	FMC25.4
10 x 10 x 11	P2774756	10	10	11	7.5	4.2	5	FMC22
12 x 13 x 18	P2774758	12	13	18	9	5.3	8	FMB27 / FMC27
12.7 x 12.7 x 12.7	P2774760	12.7	12.7	12.7	8.7	5.5	6	FMA31.75
15.87 x 15.87 x 18.5	P2774761	15.87	15.87	18.5	10.3	6.6	7.5	FMA38.1 / FMB40 / FMB40F
14 x 15 x 20	P2774762	14	15	20	10.5	6.3	7	FMC32
25.4 x 22.5 x 27	P2774773	25.4	22.5	27	16.5	10.5	11	FMA47.625 / FMB60
19.05 x 18 x 22	P2774774	19.05	18	22	14	8.6	9	FMA50.8



MOUNTING BOLT

Unit : mm

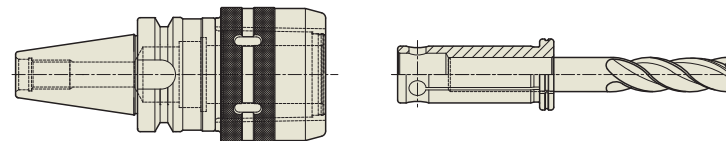
MOUNTING BOLT	EDP No.	M	D	D1	L	A	B	W	APPLICABLE ARBOR
MB8	P2774765	8 x 1.25	20	15	23	7	2	6	FMC16
MB10	P2774766	10 x 1.5	28	18	29	9	2	8	FMC22
MB12	P2774767	12 x 1.75	33	23	32	10	2	10	FMC27 / FMB27 / FMA25.4
MB16	P2774768	16 x 2.0	40	23	42	10	6	12	FMC32 / FMA31.75
MB20	P2774769	20 x 2.5	50	27	54	14	6	14	FMC40 / FMA38.1 / FMB40 / FMB40F
MB24	P2774770	24 x 3.0	65	37	62	14	10	17	FMA50.8

COLLET & SPANNER



■ END MILL COLLET (K TYPE)

MODEL No.	EDP No.	MODEL No.	EDP No.	MODEL No.	EDP No.
K20-06	P2506401	K25-16	P2506605	K32-28	P2506425
K20-08	P2506402	K25-20	P2506606	K42-06	P2506511
K20-10	P2506403	K32-06	P2506411	K42-08	P2506512
K20-12	P2506404	K32-08	P2506412	K42-10	P2506513
K20-16	P2506405	K32-10	P2506413	K42-12	P2506514
K25-06	P2506601	K32-12	P2506414	K42-16	P2506515
K25-08	P2506602	K32-16	P2506415	K42-20	P2506516
K25-10	P2506603	K32-20	P2506416	K42-25	P2506517
K25-12	P2506604	K32-25	P2506417	K42-32	P2506518



■ END MILL COLLET (CK TYPE)

MODEL No.	EDP No.	MODEL No.	EDP No.	MODEL No.	EDP No.
CK20-6	P2506731	CK25-16	P2506740	CK42-6	P2506749
CK20-8	P2506732	CK25-20	P2506741	CK42-8	P2506750
CK20-10	P2506733	CK32-6	P2506742	CK42-10	P2506751
CK20-12	P2506734	CK32-8	P2506743	CK42-12	P2506752
CK20-16	P2506735	CK32-10	P2506744	CK42-16	P2506753
CK25-6	P2506736	CK32-12	P2506745	CK42-20	P2506754
CK25-8	P2506737	CK32-16	P2506746	CK42-25	P2506755
CK25-10	P2506738	CK32-20	P2506747	CK42-32	P2506756
CK25-12	P2506739	CK32-25	P2506748		

■ MT COLLET

MODEL No.	EDP No.	MODEL No.	EDP No.
K20-MT1	P2506519	K32-MT2	P2506524
K20-MT2	P2506520	K32-MT3	P2506525
K25-MT1	P2506521	K42-MT1	P2506526
K25-MT2	P2506522	K42-MT2	P2506527
K25-MT3	P2506534	K42-MT3	P2506528
K32-MT1	P2506523	K42-MT4	P2506529

■ DRILL CHUCK ARBOR

MODEL No.	EDP No.	MODEL No.	EDP No.
K20-JTA6	P2506530	C20SP	P2773401
K25-JTA6	P2506531	C25SP	P2773402
K32-JTA6	P2506532	C32SP	P2600033
K42-JTA6	P2506533	C42SP	P2773403

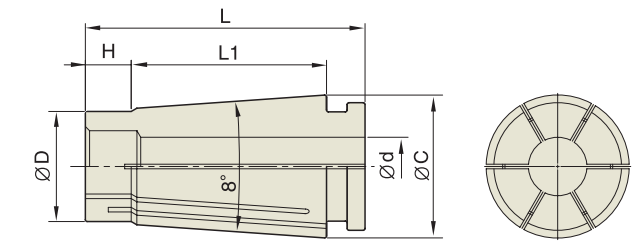
■ SPANNER

MODEL No.	EDP No.
C20SP	P2773401
C25SP	P2773402
C32SP	P2600033
C42SP	P2773403

► Design and shape could be changed without prior notice.

SK COLLET

SK SCHLANKE FUTTER
MANDRIN TYPE SK MINCE
SK MANDRINI SOTTILI
PORTAHERRAMIENTAS SK EJE REDUCIDO



◇ T.I.R : ≤0.005mm at 3D

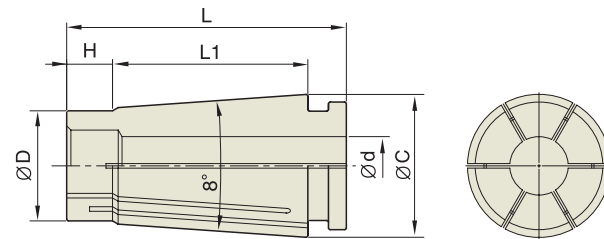
TYPE	MODEL No.	EDP No.	CLAMPING RANGE (d)	TYPE	MODEL No.	EDP No.	CLAMPING RANGE (d)	TYPE	MODEL No.	EDP No.	CLAMPING RANGE (d)
SKC6	SKC6-2	P2730780	1.8 - 2.0	SKC10	SKC10-2	P2730790	1.75 - 2.0	SKC13	SKC13-3	P2773656	2.75 - 3.0
	SKC6-2.5	P2773601	2.3 - 2.5		SKC10-2.5	P2773605	2.25 - 2.5		SKC13-3.5	P2773657	3.0 - 3.5
	SKC6-3	P2730782	2.8 - 3.0		SKC10-3	P2730791	2.75 - 3.0		SKC13-4	P2773658	3.5 - 4.0
	SKC6-3.5	P2773602	3.0 - 3.5		SKC10-3.5	P2773606	3.0 - 3.5		SKC13-4.5	P2773659	4.0 - 4.5
	SKC6-4	P2730784	3.5 - 4.0		SKC10-4	P2730792	3.5 - 4.0		SKC13-5	P2773660	4.5 - 5.0
	SKC6-4.5	P2773603	4.0 - 4.5		SKC10-4.5	P2773607	4.0 - 4.5		SKC13-5.5	P2773661	5.0 - 5.5
	SKC6-5	P2730786	4.5 - 5.0		SKC10-5	P2730793	4.5 - 5.0		SKC13-6	P2773662	5.5 - 6.0
	SKC6-5.5	P2773604	5.0 - 5.5		SKC10-5.5	P2773608	5.0 - 5.5		SKC13-6.5	P2773663	6.0 - 6.5
	SKC6-6	P2730788	5.5 - 6.0		SKC10-6	P2730794	5.5 - 6.0		SKC13-7	P2773664	6.5 - 7.0
					SKC10-6.5	P2773609	6.0 - 6.5		SKC13-7.5	P2773665	7.0 - 7.5
			SKC10-7	P2730795	6.5 - 7.0	SKC13-8	P2773666		7.5 - 8.0		
			SKC10-7.5	P2773610	7.0 - 7.5	SKC13-8.5	P2773667		8.0 - 8.5		
			SKC10-8	P2730796	7.5 - 8.0	SKC13-9	P2773668		8.5 - 9.0		
			SKC10-8.5	P2773611	8.0 - 8.5	SKC13-9.5	P2773669	9.0 - 9.5			
			SKC10-9	P2730797	8.5 - 9.0	SKC13-10	P2773670	9.5 - 10.0			
			SKC10-9.5	P2773612	9.0 - 9.5	SKC13-10.5	P2773671	10.0 - 10.5			
			SKC10-10	P2730798	9.5 - 10.0	SKC13-11	P2773672	10.5 - 11.0			
						SKC13-11.5	P2773673	11.0 - 11.5			
						SKC13-12	P2773674	11.5 - 12.0			
						SKC13-12.5	P2773675	12.0 - 12.5			
						SKC13-13	P2773676	12.5 - 13.0			

■ SKC COLLET DIMENSION

TYPE	D	L	L1	H	C	WEIGHT (Kg)
SKC6	7.5	25.7	17.6	3.8	10	0.03
SKC10	12	32	21.3	5	15	0.04
SKC13	15.4	39	28.3	5.5	20	-
SKC16	18.8	46	32	8	24	0.06
SKC20	22.5	54.2	41	8	29	-
SKC25	28.9	58.2	43	8.5	35	0.10

SK COLLET

SK SCHLANKE FUTTER
MANDRIN TYPE SK MINCE
SK MANDRINI SOTTILI
PORTAHERRAMIENTAS SK EJE REDUCIDO



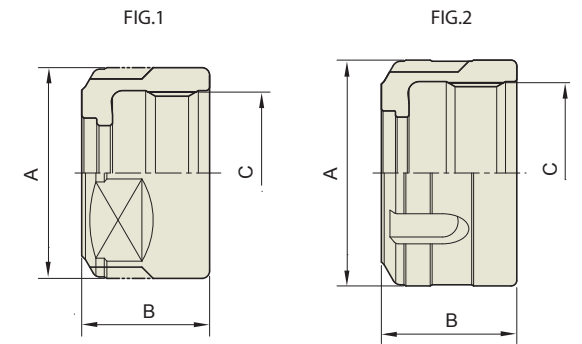
◇ T.I.R : ≤0.005mm at 3D

Unit : mm

TYPE	MODEL No.	EDP No.	CLAMPING RANGE (d)	TYPE	MODEL No.	EDP No.	CLAMPING RANGE (d)	TYPE	MODEL No.	EDP No.	CLAMPING RANGE (d)
SKC16	SKC16-3	P2730810	2.75 - 3.0	SKC20	SKC20-4	P2730830	3.5 - 4.0	SKC25	SKC25-16.5	P2773677	16.0 - 16.5
	SKC16-3.5	P2773613	3.0 - 3.5		SKC20-4.5	P2773632	4.0 - 4.5		SKC25-17	P2773678	16.5 - 17.0
	SKC16-4	P2730812	3.5 - 4.0		SKC20-5	P2773633	4.5 - 5.0		SKC25-17.5	P2773679	17.0 - 17.5
	SKC16-4.5	P2773614	4.0 - 4.5		SKC20-5.5	P2773634	5.0 - 5.5		SKC25-18	P2773680	17.5 - 18.0
	SKC16-5	P2773615	4.5 - 5.0		SKC20-6	P2730832	5.5 - 6.0		SKC25-18.5	P2773681	18.0 - 18.5
	SKC16-5.5	P2773616	5.0 - 5.5		SKC20-6.5	P2773635	6.0 - 6.5		SKC25-19	P2773682	18.5 - 19.0
	SKC16-6	P2730814	5.5 - 6.0		SKC20-7	P2773636	6.5 - 7.0		SKC25-19.5	P2773683	19.0 - 19.5
	SKC16-6.5	P2773617	6.0 - 6.5		SKC20-7.5	P2773637	7.0 - 7.5		SKC25-20	P2773684	19.5 - 20.0
	SKC16-7	P2773618	6.5 - 7.0		SKC20-8	P2730834	7.5 - 8.0		SKC25-20.5	P2773685	20.0 - 20.5
	SKC16-7.5	P2773619	7.0 - 7.5		SKC20-8.5	P2773638	8.0 - 8.5		SKC25-21	P2773686	20.5 - 21.0
	SKC16-8	P2730816	7.5 - 8.0		SKC20-9	P2773639	8.5 - 9.0		SKC25-21.5	P2773687	21.0 - 21.5
	SKC16-8.5	P2773620	8.0 - 8.5		SKC20-9.5	P2773640	9.0 - 9.5		SKC25-22	P2773688	21.5 - 22.0
	SKC16-9	P2773621	8.5 - 9.0		SKC20-10	P2730836	9.5 - 10.0		SKC25-22.5	P2773689	22.0 - 22.5
	SKC16-9.5	P2773622	9.0 - 9.5		SKC20-10.5	P2773641	10.0 - 10.5		SKC25-23	P2773690	22.5 - 23.0
	SKC16-10	P2730818	9.5 - 10.0		SKC20-11	P2773642	10.5 - 11.0		SKC25-23.5	P2773691	23.0 - 23.5
	SKC16-10.5	P2773623	10.0 - 10.5		SKC20-11.5	P2773643	11.0 - 11.5		SKC25-24	P2773692	23.5 - 24.0
	SKC16-11	P2773624	10.5 - 11.0		SKC20-12	P2730838	11.5 - 12.0		SKC25-24.5	P2773693	24.0 - 24.5
	SKC16-11.5	P2773625	10.0 - 11.5		SKC20-12.5	P2773644	12.0 - 12.5		SKC25-25	P2773694	24.5 - 25.0
	SKC16-12	P2730820	11.5 - 12.0		SKC20-13	P2773645	12.5 - 13.0		SKC25-25.4	P2773695	25.0 - 25.4
	SKC16-12.5	P2773626	12.0 - 12.5		SKC20-13.5	P2773646	13.0 - 13.5				
SKC16-13	P2773627	12.5 - 13.0	SKC20-14	P2730840	13.5 - 14.0						
SKC16-13.5	P2773628	13.0 - 13.5	SKC20-14.5	P2773647	14.0 - 14.5						
SKC16-14	P2773822	13.5 - 14.0	SKC20-15	P2773648	14.5 - 15.0						
SKC16-14.5	P2773629	14.0 - 14.5	SKC20-15.5	P2773649	15.0 - 15.5						
SKC16-15	P2773630	14.5 - 15.0	SKC20-16	P2730842	15.5 - 16.0						
SKC16-15.5	P2773631	15.0 - 15.5	SKC20-16.5	P2773650	16.0 - 16.5						
SKC16-16	P2730824	15.5 - 16.0	SKC20-17	P2773651	16.5 - 17.0						
			SKC20-17.5	P2773652	17.0 - 17.5						
			SKC20-18	P2730844	17.5 - 18.0						
			SKC20-18.5	P2773653	18.0 - 18.5						
			SKC20-19	P2773654	18.5 - 19.0						
			SKC20-19.5	P2773655	19.0 - 19.5						
			SKC20-20	P2730846	19.5 - 20.0						

SK NUT & SPANNER

SKN NUSS
SKN ÉCROU
SKN DADO
SKN TUERCA



Unit : mm

TYPE	MODEL No.	A	B	C	FIG.	WEIGHT (Kg)
SKN06	P2773581	20	15	M15.5 x 1.0	1	0.02
SKN10	P2773582	28	17	M21.5 x 1.0	1	0.04
SKN13	P2773583	33	21	M27 x 1.0	2	0.05
SKN16	P2773584	40	24	M32 x 1.5	2	0.06
SKN20	P2773585	48.5	24	M40 x 1.0	2	0.08
SKN25	P2773586	55	30	M45 x 1.5	2	0.10



MODEL No.	MODEL No.
TSK6	P2773588
TSK10	P2773589
TSK13	P2773590
TSK16	P2773591
TSK20	P2773587
TSK25	P2773592

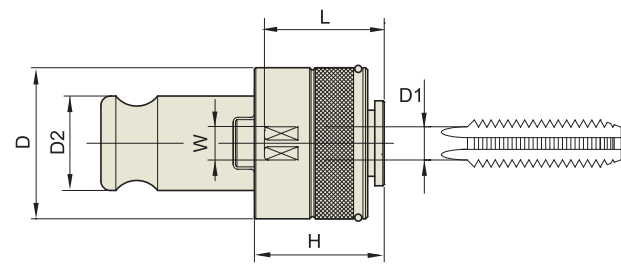
► Design and shape could be changed without prior notice.



TC

TAP ADAPTOR (JIS)

SCHNELLWECHSEL-EINSATZ
ADAPTATEUR CHANGEMENT RAPIDE
BUSSOLA A INNESTO RAPIDO
INSERTO DE CAMBIO RAPIDO



Below standard Tap Adaptor conforms to JIS.

Unit : mm

TAPER No.	MODEL No.	EDP No.	D	D1 (Ø)	D2	H	W(□)	L	WEIGHT (Kg)
TCS12	TCS12-M3	P2774651	32	4	19	25	3.2	24	0.18
	TCS12-M4	P2774652	32	5	19	25	4.	24	0.18
	TCS12-M5	P2774653	32	5.5	19	25	4.5	24	0.18
	TCS12-M6, U1/4	P2774654	32	6	19	25	4.5	24	0.18
	TCS12-M8	P2774655	32	6.2	19	25	5	25	0.18
	TCS12-M10, U3/8	P2774656	32	7	19	25	5.5	25	0.18
	TCS12-M12	P2774657	32	8.5	19	25	6.5	26	0.18
	TCS24	TCS24-M6	P2774658	52	6	31	33	4.5	38
	TCS24-M8	P2774659	52	6.2	31	33	5	38	0.60
	TCS24-M10	P2774660	52	7	31	33	5.5	38	0.60
	TCS24-M12	P2774661	52	8.5	31	33	6.5	39	0.60
	TCS24-M14, U3/4	P2774662	52	10.5	31	33	8	41	0.60
	TCS24-M16	P2774663	52	12.5	31	33	10	43	0.60
	TCS24-M18, P3/8	P2774664	52	14	31	33	11	43	0.60
	TCS24-M20	P2774665	52	15	31	33	12	43.5	0.60
	TCS24-M22, U7/8	P2774666	52	17	31	33	13	46	0.60
	TCS24-M24, PF5/8	P2774667	52	19	31	33	15	46	0.60
TCS38	TCS38-M18	P2774668	72	14	48	45	11	43	1.80
	TCS38-M20	P2774669	72	15	48	45	12	43.5	1.80
	TCS38-M22	P2774670	72	17	48	45	13	45	1.80
	TCS38-M24	P2774671	72	19	48	45	15	45	1.80
	TCS38-M27, U1	P2774672	72	20	48	45	15	62	1.80
	TCS38-M30, PT3/4	P2774673	72	23	48	45	17	64	1.80
	TCS38-M33	P2774674	72	25	48	45	19	66	1.80
	TCS38-M36	P2774675	72	28	48	45	21	68	1.80
TCS38-M38	P2774676	72	28	48	45	21	68	1.80	

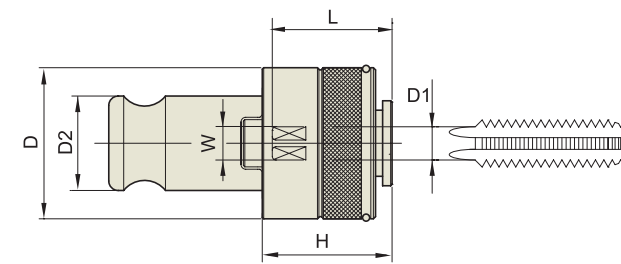
- ▶ Feature : Quick Change Type with Built-in Torque Safety Device.
- ▶ For Pipe Type Tap, please discuss separately.



TC

TAP ADAPTOR (DIN)

SCHNELLWECHSEL-EINSATZ
ADAPTATEUR CHANGEMENT RAPIDE
BUSSOLA A INNESTO RAPIDO
INSERTO DE CAMBIO RAPIDO



Below standard Tap Adaptor conforms to DIN.

Unit : mm

TAPER No.	MODEL No.	EDP No.	D	D1 (Ø)	D2	H	W(□)	L	DIN No.	WEIGHT (Kg)	
TSC12D	TCS12D-2821	P2774601	32	2.8	19	25	2.1	24	371	0.20	
	TCS12D-3527	P2774602	32	3.5	19	25	2.7	24	371	0.20	
	TCS12D-4534	P2774603	32	4.5	19	25	3.4	24	371	0.20	
	TCS12D-43	P2774604	32	4	19	25	3	24	371	0.20	
	TCS12D-5543	P2774605	32	5.5	19	25	4.3	25	376	0.20	
	TCS12D-649	P2774606	32	6	19	25	4.9	25	371	0.20	
	TCS12D-755	P2774607	32	7	19	25	5.5	25	376	0.20	
	TCS12D-862	P2774608	32	8	19	25	6.2	25	371	0.20	
	TCS12D-97	P2774609	32	9	19	25	7	26	376	0.20	
	TCS12D-108	P2774610	32	10	19	25	8	26	371	0.20	
	TCS12D-119	P2774611	32	11	19	25	9	26	376	0.20	
	TCS24D	TCS24D-649	P2774612	52	6	31	33	4.9	38	371	0.60
		TCS24D-755	P2774613	52	7	31	33	5.5	38	376	0.60
		TCS24D-862	P2774614	52	8	31	33	6.2	38	371	0.60
TCS24D-97		P2774615	52	9	31	33	7	38	376	0.60	
TCS24D-108		P2774616	52	10	31	33	8	39	371	0.60	
TCS24D-119		P2774617	52	11	31	33	9	41	376	0.60	
TCS24D-129		P2774618	52	12	31	33	9	43	376	0.60	
TCS24D-1411		P2774619	52	14	31	33	11	43	376	0.60	
TCS24D-1612		P2774620	52	16	31	33	12	46	376	0.60	
TCS24D-18145		P2774621	52	18	31	33	14.5	46	376	0.60	
TCS38D		TCS38D-119	P2774622	72	11	48	45	9	43	376	1.80
		TCS38D-129	P2774623	72	12	48	45	9	43	376	1.80
		TCS38D-1411	P2774624	72	14	48	45	11	45	376	1.80
		TCS38D-1612	P2774625	72	16	48	45	12	45	376	1.80
	TCS38D-18145	P2774626	72	18	48	45	14.5	62	376	1.80	
	TCS38D-2016	P2774627	72	20	48	45	16	64	376	1.80	
	TCS38D-2218	P2774628	72	22	48	45	18	66	376	1.80	
	TCS38D-2520	P2774629	72	25	48	45	20	68	376	1.80	
	TCS38D-2822	P2774630	72	28	48	45	22	68	376	1.80	

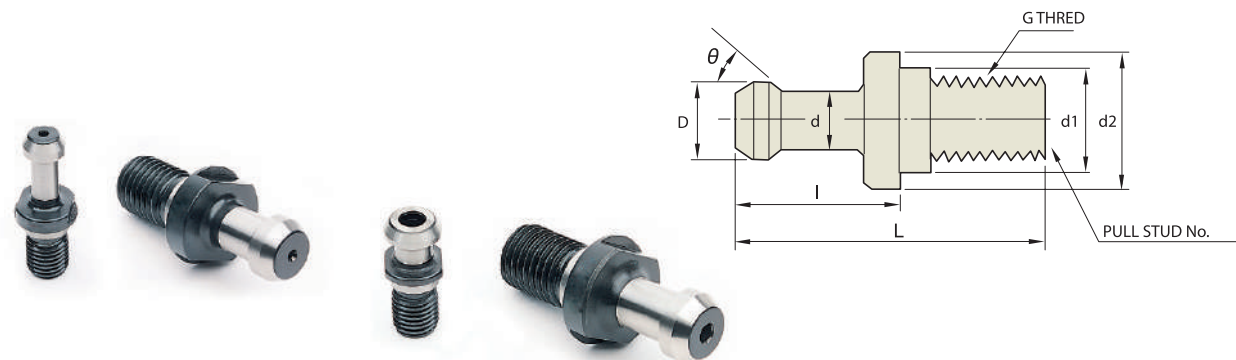
- ▶ Feature : Quick Change Type with Built-in Torque Safety Device.
- ▶ For Pipe Type Tap, please discuss separately.



PSB

PULL STUD BOLT & SPANNER

ANZUGBOLZEN
BOULONS DE SERRAGE
TIRANTI PER MANDRINI UNIVERSALI
TIRANTES PARA PORTAHERRAMIENTAS

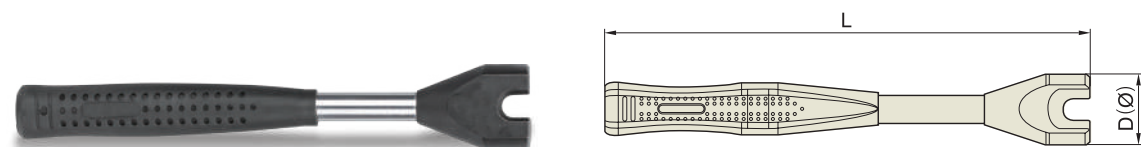


PULL STUD BOLT

Unit : mm

MODEL No.	EDP No.	D	d2	d1	d	L	l	G	θ	TYPE
PS-1	P2775051	15	23	17	10	60	35	M16	45°	BT40-I STANDARD TYPE
PS-2	P2775052	15	23	17	10	60	35	M16	60°	BT40-II STANDARD TYPE
PS-805	P2775102	19	23	17	14	54	29	M16	75°	BT40
PS-806	P2775102	19	23	17	14	54	29	M16	75°	BT40 (Through Hole)
PS-5	P2775053	23	38	25	17	85	45	M24	45°	BT50-I STANDARD TYPE
PS-6	P2775054	23	38	25	17	85	45	M24	60°	BT50-II STANDARD TYPE
PS-16	P2775055	11	16.5	12.5	7	43	23	M12	45°	BT30-I STANDARD TYPE
PS-17	P2775056	11	16.5	12.5	7	43	23	M12	60°	BT30-II STANDARD TYPE
PS-0	P2506706	23	38	25	17	85	45	M24	90°	for BT50 OKK
PS-08	P2506703	15	23	17	10	60	35	M16	90°	for BT40 OKK
PS-P	P2775057	24	36	25	18	71	31	M24	90°	for BT50 MITISUI SEIKI
PS-P5	P2775058	15	23	17	10	50	25	M16	90°	for BT40 MITISUI SEIKI
PS-G41	P2775059	29	37	25	21	65.2	25.2	M24	45°	for BT50 MAZAK
PS-G51	P2775060	18.8	22	17	12.45	44.1	19.1	M16	45°	for BT40 MAZAK
PS-S2	P2775061	25	39	25	18	95	55	M24	60°	for SHIN NIPPON KOKI
PS-F1	P2775062	23	39	25	18	104	64	M24	45°	for MITSUBISHI
PS-B1	P2775063	22	38	25	16	112	72	M24	60°	for OKUMA
PSS-1	P2506707	19	23	17	14	54	26	M16	75°	for SK40
PSS-5	P2506708	28	36	25	21	74	34	M24	75°	for SK50

- ▶ Upon requests, other pull stud bolts with special dimensions could be produced and supplied.
- ▶ Through hole type ("H" Type) is available upon request.



PULL STUD BOLT SPANNER

Unit : mm

MODEL No.	EDP No.	D	L	TYPE	WEIGHT (Kg)
PSWB-30	P2775064	27	210	BT30	0.30
PSWB-40	P2775065	37	230	BT40	0.40
PSWB-50	P2775066	49	280	BT50	0.78



PSB

PULL STUD BOLT

ANZUGBOLZEN
BOULONS DE SERRAGE
TIRANTI PER MANDRINI UNIVERSALI
TIRANTES PARA PORTAHERRAMIENTAS

APPLICATION TABLE OF PULL STUD BOLT

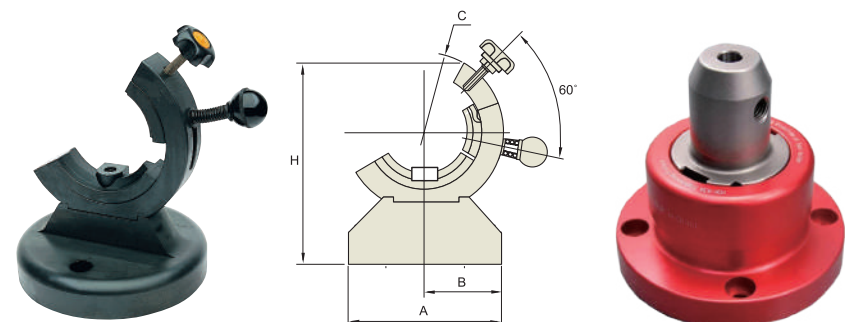
MACHINE MANUFACTURER	MACHINE MODEL No.	TAPER No.	PS BOLT	
DOOSAN	T 4000	BT30	PS-16	
	DT 360D	BT30	PS-16	
	DNM 400 II / 500 II / 650 II	BT40	PSS-1	
	DNM 750 II / 40	BT40	PSS-1	
	DNM 750 II / 50	BT50	PS-5	
	Mynx 6500	BT50	PS-5	
	Mynx 7500	BT50	PS-5	
	VM 5400/6500	BT40	PS-805/806	
	VM 750	BT50	PS-5	
	VM 960	BT50	PS-5	
	VM 1260	BT50	PS-5	
	VC 430	BT40	PS-805/806	
	VC 510	BT40	PS-805/806	
	DVM 500 II	BT40	PS-805/806	
DVM 5650 II	BT40	PS-805/806		
NX 4500 II	BT40	PS-805/806		
NX 5500 II	BT40	PS-805/806		
NX 6500 II	BT40	PS-805/806		
NHM 5000	BT50	PS-5		
NHM 6300	BT50	PS-5		
NHM 8000	BT50	PS-5		
NHM 1000	BT50	PS-5		
NHM 1250	BT50	PS-5		
NHP 5000	BT50	PS-5		
NHP 6300	BT50	PS-5		
HC 400 II	BT40	PSS-1		
HC 500 II	BT40	PSS-1		
i-CUT 380T/420T	BT30	PS-16		
i-CUT 400T/M	BT30	PS-16		
F 400/500/650	BT40	PS-1		
F 500/650	BT50	PS-5		
F 510M/550M/660M	BT40	PS-1		
F 510B	BT40	PS-1		
F 600B/750B/960B	BT50	PS-5		
KH 50G/63G	BT50	PS-5		
KH 80G/1000	BT40	PS-1		
HS 5000	BT40	PS-1		
HS 5000/6300/8000	BT50	PS-5		
SMEC	Any Mill LCV30A/B	BT30	PS-17	
	Any Mill LCV55S	BT50	PS-6	
	Any Mill LCV650S	BT50	PS-5	
	Any Mill ICV66	BT50	PS-5	
	Any Mill ICV80	BT50	PS-5	
	DMC-3000	BT50	PS-0	
	PCH40	BT40	PS-1	
	PCH50	BT50	PS-5	
	HWACHEON	SIRIUS-1	BT30	PS-16
		SIRIUS-550	BT40	PS-1
SIRIUS-UL/ULG		BT40	PS-1	
SIRIUS-7040		BT50	PS-0	
SIRIUS-650/650N		BT50	PS-0	
SIRIUS-850/850N		BT50	PS-0	
SIRIUS-700		BT50	PS-0	
SIRIUS-12580		BT50	PS-0	
TCH-45		BT40	PS-1	
TCH-50		BT50	PS-6	
S&T	TCH-80	BT50	PS-6	
	TCH-80TS	BT50	PS-6	
	FX-500H	BT40	PS-2	
	TNV-40A	BT40	PS-1	
	TNV-80A	BT40	PS-1	
	TNV-650V	BT50	PS-6	
	HASS	TM-1/2	BT40	PS-1
		VF-4SS/3SS/2SS	BT40	PS-1
		VF-2TR	BT40	PS-1
		VF-5/50TR	BT50	PS-5
VF-9/50		BT50	PS-5	
MAZAK		BT40	PS-G51	
		BT50	PS-G41	
MORI SEKI		BT40	PS-08	
		BT50	PS-51	



TC

TOOL CLAMP

MONTAGEVORRICHTUNGEN
DISPOSITIF DE MONTAGE
ATTREZZO PER IL MONTAGGIO DI MANDRINI
SOPORTE PARA MONTAJE



• Flange Clamping Design

Unit : mm

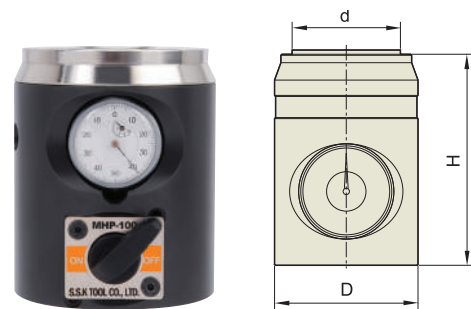
TAPER No.	MODEL No.	EDP No.	A	B	C	H	WEIGHT (Kg)
BT30	TCP30	P2775067	125	65	108	135	3.00
BT40	TCP40	P2775068	160	80	138	180	7.60
BT50	TCP50	P2775069	180	90	165	205	8.60
SK30	TSK30	P2775070	125	65	108	135	3.00
SK40	TSK40	P2775071	160	80	138	180	7.60
SK50	TSK50	P2775072	180	90	165	205	8.60
HSK32/40/50	THSK32/40/50	P2775073/P2775074/P2775075	125	65	108	135	-
HSK63	THSK63	P2775076	160	80	138	180	-
HSK100	THSK100	P2775077	180	90	165	205	-

▶ Tool clamp for CAT taper available.

HP

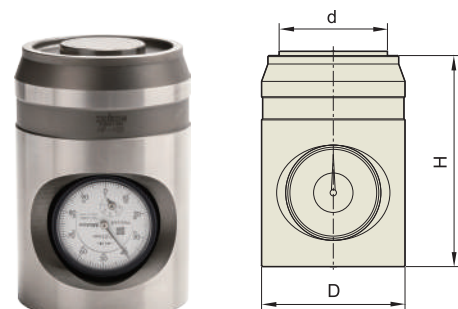
HEIGHT PRESETTER

• MAGNETIC HEIGHT PRESETTER



- Both vertical and horizontal type usable
- Slim design

• HEIGHT PRESETTER



- Exclusively for vertical

Unit : mm

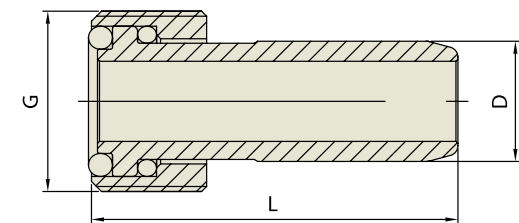
MODEL No.	MODEL No.	D	H	d	DIAL
MHP-100 (magnetic)	P2591001	76	100	33	0.01
HP-100	P2775901	68	100 / - 0.01	33	0.01



CT

COOLANT TUBE (For HSK TAPER)

ANZUGBOLZEN
BOULONS DE SERRAGE
TIRANTI PER MANDRINI UNIVERSALI
TIRANTES PARA PORTAHERRAMIENTAS

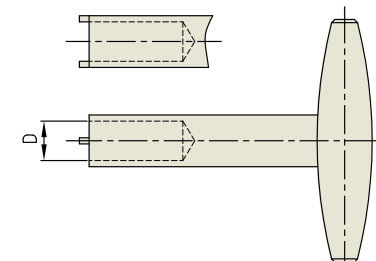


Unit : mm

TAPER No.	EDP No.	D	G
HSK32	P2775078	6	M10
HSK40	P2775079	8	M12
HSK50	P2775080	10	M16
HSK63	P2775081	12	M18
HSK80	P2775106	14	M20
HSK100	P2775082	16	M24

CTS

COOLANT TUBE SPANNER (For HSK TAPER)



Unit : mm

TAPER No.	EDP No.	D
HSK32	P2775103	6
HSK40	P2775104	8
HSK50	P2775089	10
HSK63	P2775087	12
HSK80	P2775105	14
HSK100	P2775090	16

▶ Design and shape could be changed without prior notice.



AB

ADJUST BOLT (For HSK MQL1)

SK (DIN 69871)

CBT (BT DUAL CONTACT)

BT (JIS B6339/MAS 403)

HSK (DIN 69893/ISO 12164)

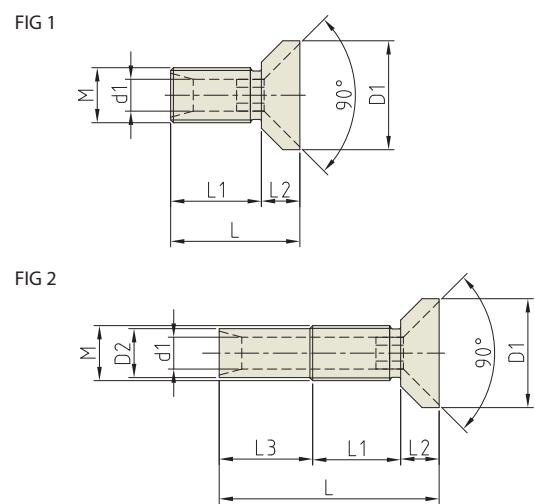
STRAIGHT

ISO, NT, MTA/MTB, GOST

TOOL HOLDER SET

BORING SYSTEM

ACCESSORY & PARTS



Unit : mm

DESCRIPTIONS	HOLDER I.D	EDP No.	L	L1	L2	L3	d1	D1	D2	M	FIG.
SHORT	6	P2775112	17.0	15.5	1.5	-	3.0	5.8	-	M5x0.8	1
	8	P2775113	18.0	15.5	2.5	-	3.5	7.8	-	M6x1.0	1
	10	P2775114	18.0	15.0	3.0	-	4.7	9.8	-	M8x1.0	1
	12	P2775115	18.0	15.0	3.0	-	5.8	11.8	-	M10x1.0	1
	14	P2775116	19.5	15.5	4.0	-	5.8	13.8	-	M10x1.0	1
	16	P2775117	22.0	17.0	5.0	-	5.8	15.8	-	M10x1.0	1
	18	P2775118	22.0	16.0	6.0	-	5.8	17.8	-	M10x1.0	1
	20	P2775119	23.5	16.5	7.0	-	5.8	19.8	-	M10x1.0	1
	25	P2775120	27.5	18.0	9.5	-	5.8	24.8	-	M10x1.0	1
	32	P2775121	30.5	17.5	13.0	-	5.8	31.8	-	M10x1.0	1
LONG	6	P2775122	34.0	32.5	1.5	15.0	3.0	5.8	4.1	M5x0.8	2
	8	P2775123	34.0	31.5	2.5	15.0	3.5	7.8	4.9	M6x1.0	2
	10	P2775124	35.0	32.0	3.0	15.0	4.7	9.8	6.9	M8x1.0	2
	12	P2775125	35.0	32.0	3.0	15.0	5.8	11.8	8.9	M10x1.0	2
	14	P2775126	35.5	31.5	4.0	15.0	5.8	13.8	8.9	M10x1.0	2
	16	P2775127	37.0	32.0	5.0	15.0	5.8	15.8	8.9	M10x1.0	2
	18	P2775128	37.5	31.5	6.0	15.0	5.8	17.8	8.9	M10x1.0	2
	20	P2775129	40.0	33.0	7.0	15.0	5.8	19.8	8.9	M10x1.0	2
	25	P2775130	44.0	34.5	9.5	15.0	5.8	24.8	8.9	M10x1.0	2
	32	P2775131	45.0	32.0	13.0	14.0	5.8	31.8	8.9	M10x1.0	2

YG-1 TOOLING SYSTEM

TECHNICAL INFORMATION

MODEL NUMBERING SYSTEM & SURFACE FINISH

HYDRAULIC CHUCK

SHRINK FIT HOLDER

ER COLLET CHUCK

POWER MILLING CHUCK

TAPPING ER CHUCK & TAPPING CHUCK

NC DRILL CHUCK

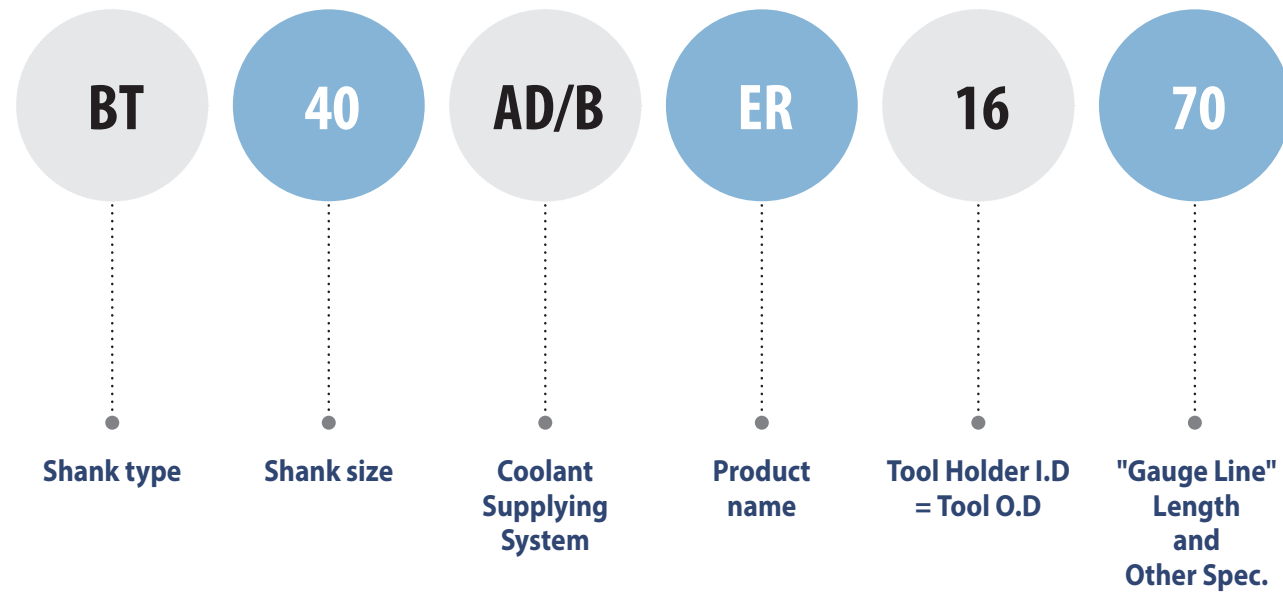
BALANCING

SHANK DATA

- SK (DIN 69871)
- BT (JIS B6339/MAS 403)
- HSK (DIN 69893/ISO 12164)
- ASME B5.50 (CAT)
- DIN 228 (MTA/MTB)

MODEL NUMBERING SYSTEM & SURFACE FINISH

▶ Model Numbering System

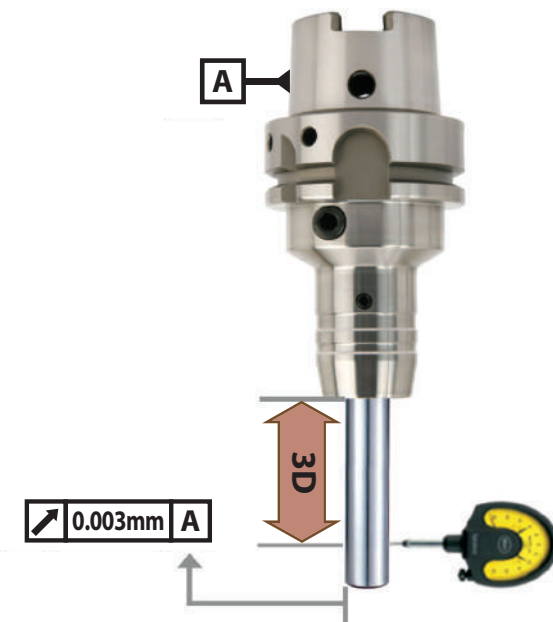


▶ Surface Finish



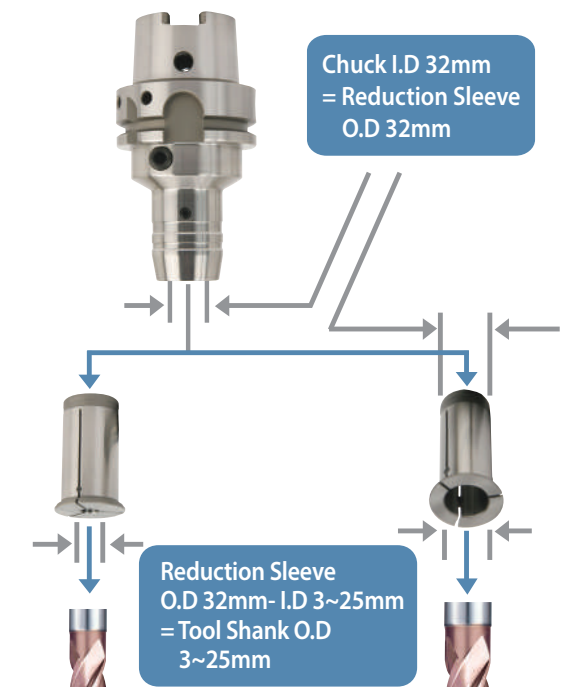
HYDRAULIC CHUCK

▶ High precision T.I.R : $\leq 0.003\text{mm}$ (Without Reduction Sleeve)

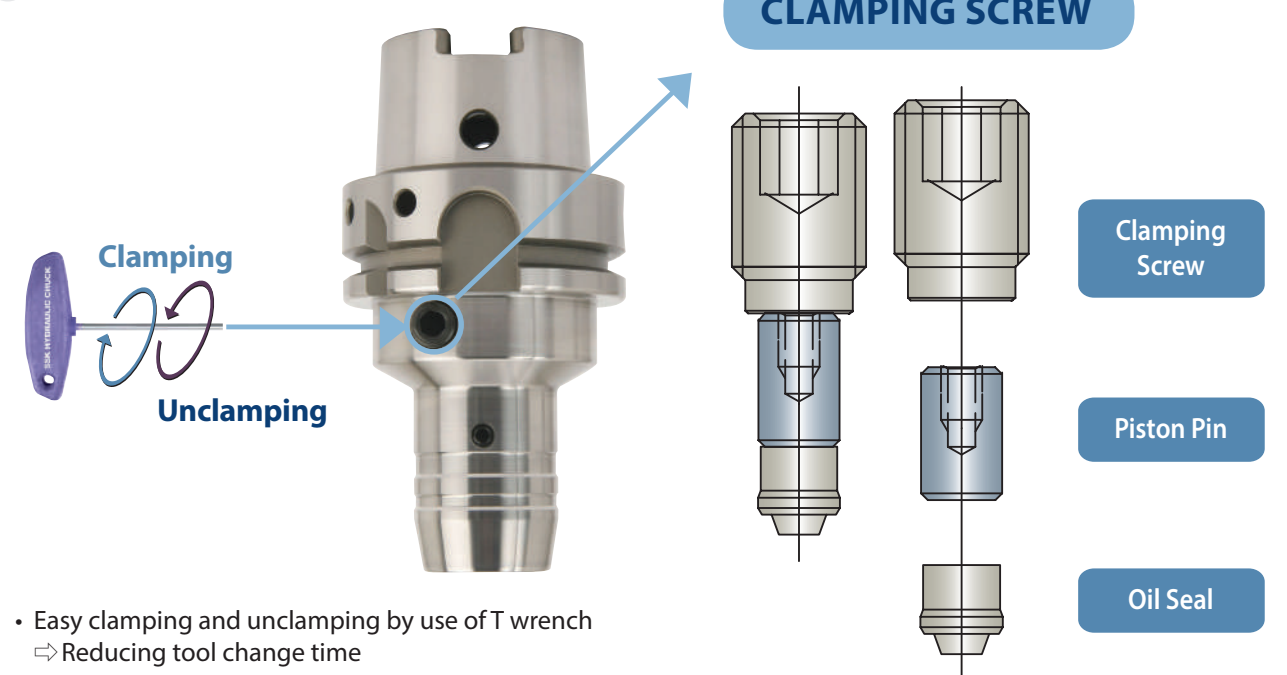


- Less than 0.003mm T.I.R
- ⇒ Suitable for High-Speed precision machining

▶ Flexible use of cutting tools by using of reduction sleeves



▶ Easy Tool Change



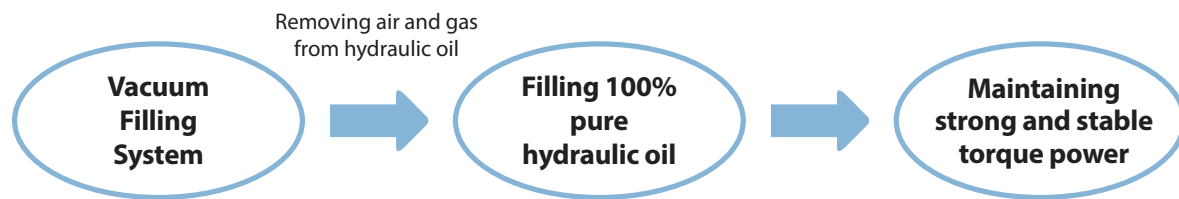
- Easy clamping and unclamping by use of T wrench
- ⇒ Reducing tool change time
- Supplied with clamping T-wrench.

HYDRAULIC CHUCK

► Strong Torque Power

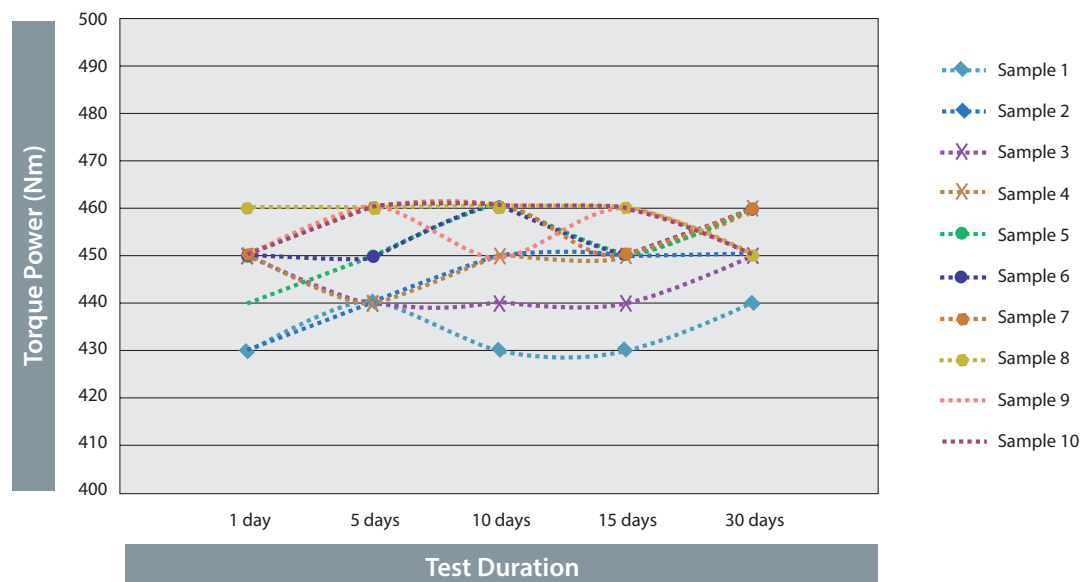
Hydraulic Chuck I.D (mm)	Tool Shank O.D (mm)	Applicable RPM	Minimum Clamping Depth (mm)		Min. Torque Power (Nm)	
			Standard	Power E Hydro	Standard	Power E Hydro
6	6	40,000	27		16	
8	8	40,000	27		23	
10	10	40,000	32		45	
12	12	40,000	37	41	90	110
14	14	40,000	37		110	
16	16	40,000	42		185	
18	18	40,000	42		240	
20	20	40,000	42	48	330	520
25	25	25,000	48		400	
32	32	25,000	55	57	650	900

- Tool Holder I.D Tolerance : H6
- Operating Temperature : 20~25°C
- Maximum pressure of coolant oil : 80bar



► Test of Torque Power and Hydraulic Oil Leakage

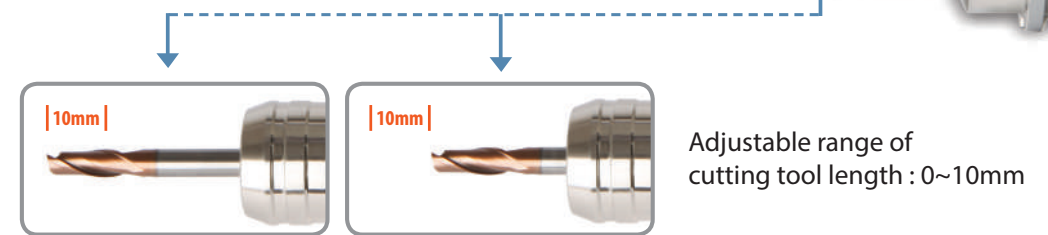
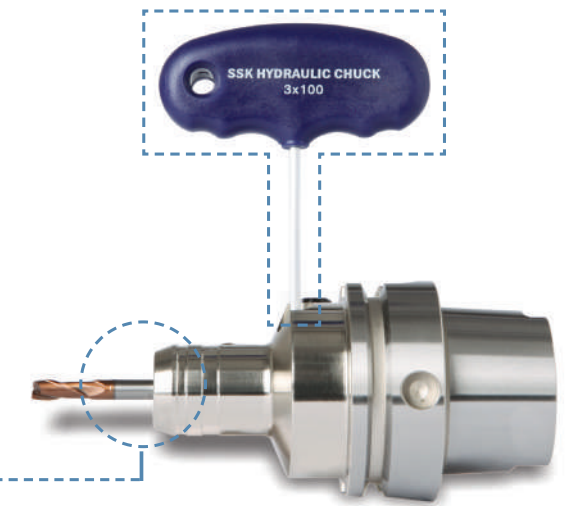
- Test Model : BT40 AD/B-HC 20-90
- No oil leakage for long period ⇒ Maintaining stable torque power



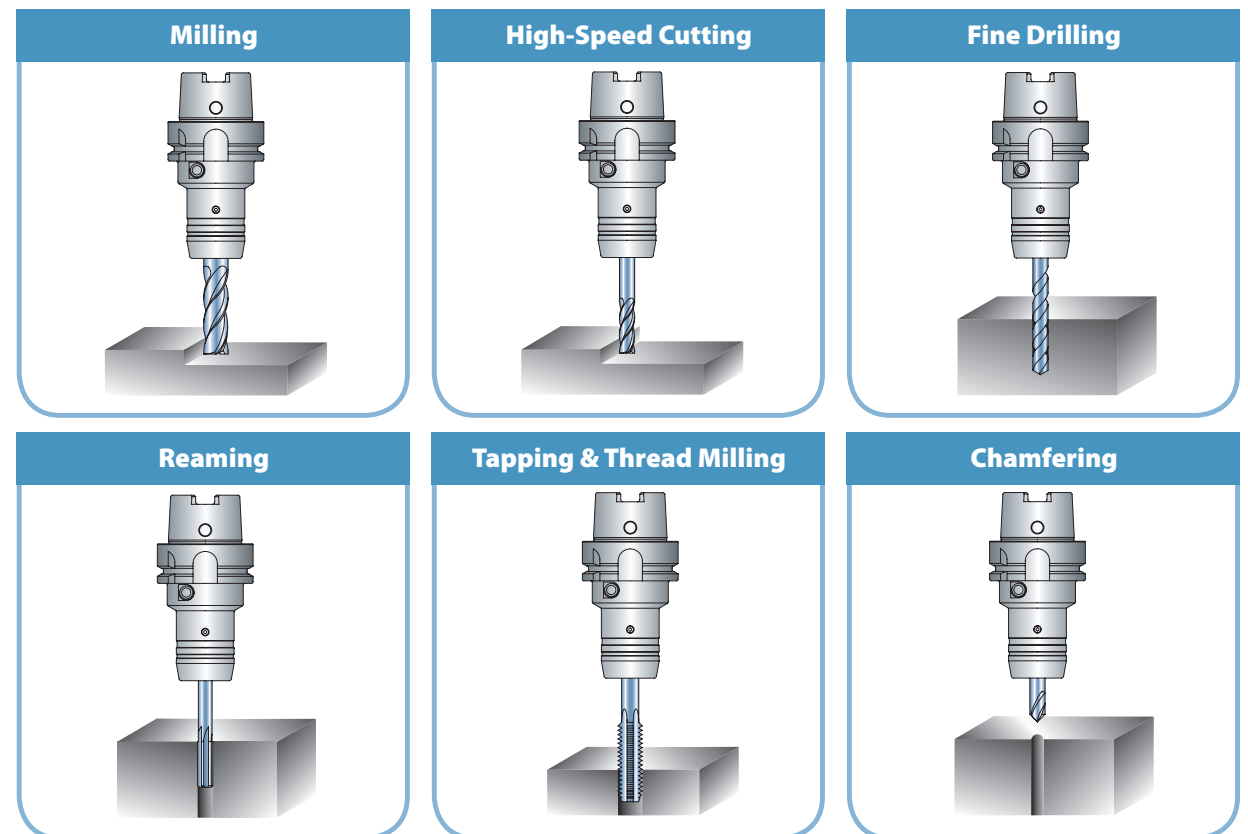
HYDRAULIC CHUCK

► Radial Tool Length Pre-setting Type

- Easy to adjust pre-setting length of cutting tool (Saving time to pre-set cutting tool to one fifth compared with conventional Hydraulic Chuck)
- Precise adjustment of cutting tool length
- Designed to separate tool length adjustment screw from clamping screw

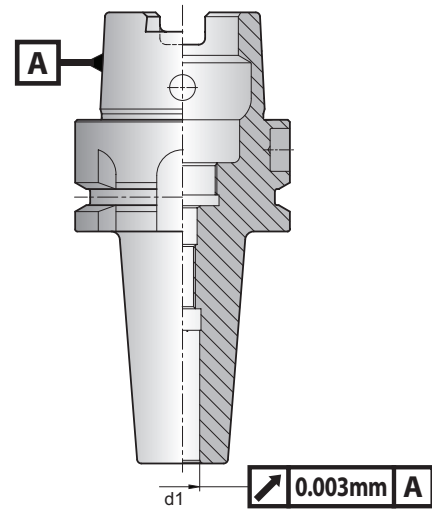


► Application



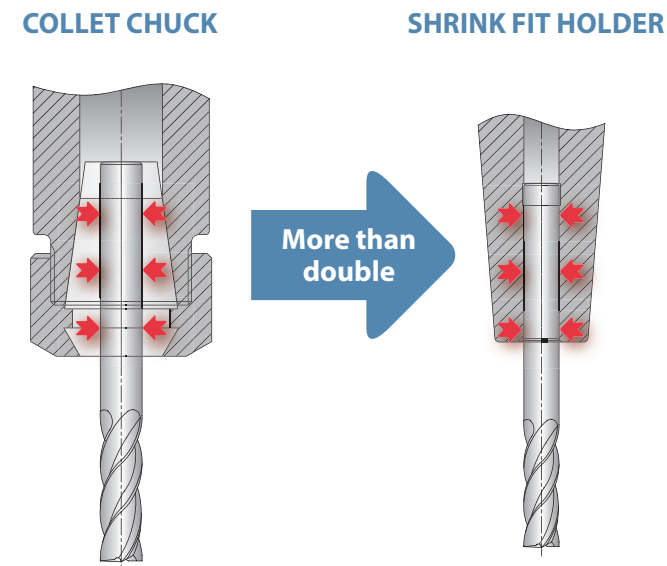
SHRINK FIT HOLDER

- ▶ High Precision I.D
Run-Out : $\leq 0.003\text{mm}$



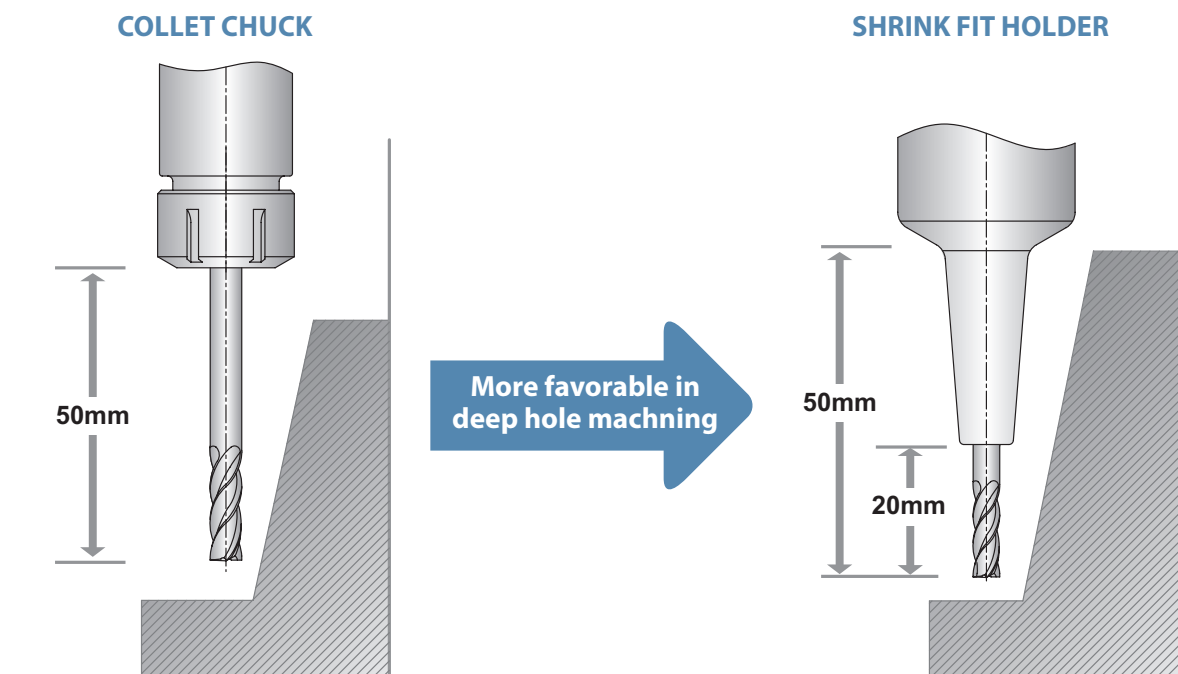
- Less than 0.003mm of Tool Holder accuracy at I.D

- ▶ Strong and Consistent Torque Power



- Achieving strong torque power by integration of chuck and tool

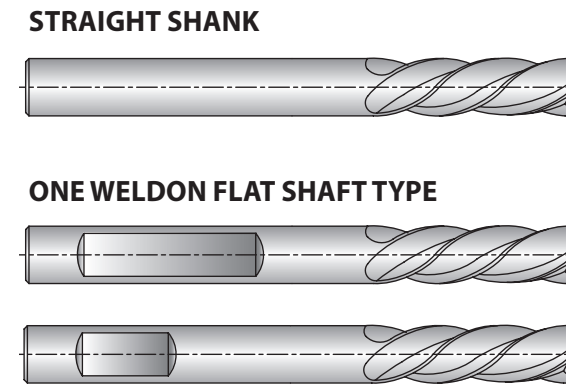
- ▶ Deep hole Machining



- Suitable for High-Speed precision deep hole machining

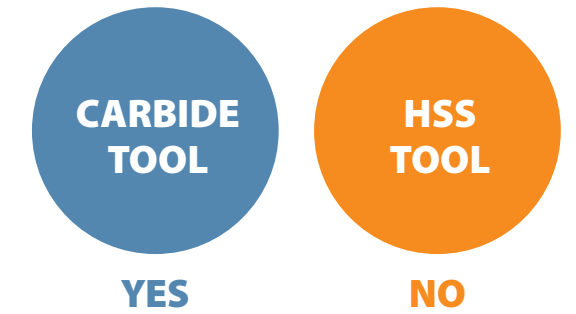
SHRINK FIT HOLDER

- ▶ Shank Type of Cutting Tool

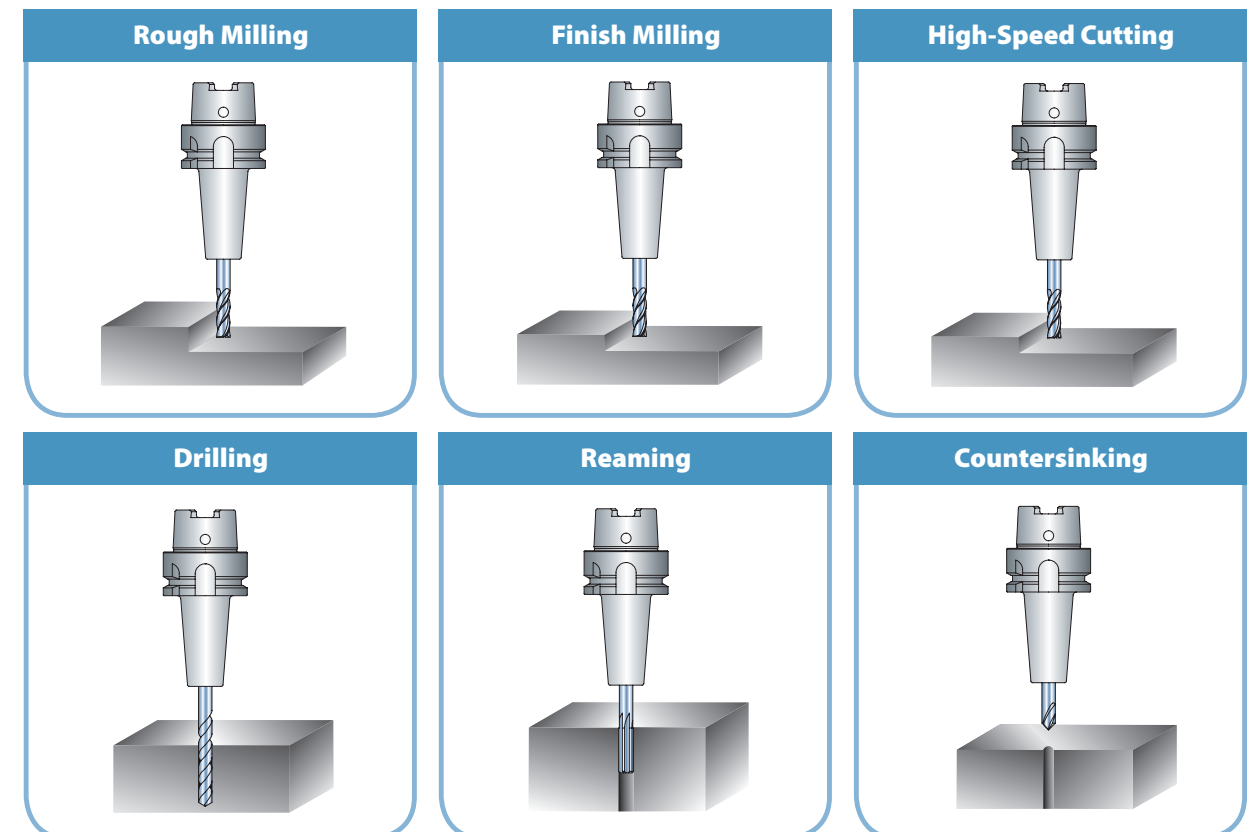


- One Weldon flat shaft type tool is usable, but there is a possibility that the I.D of Shrink Fit Holder may be deformed.

- ▶ Material of Cutting Tool



- ▶ Application



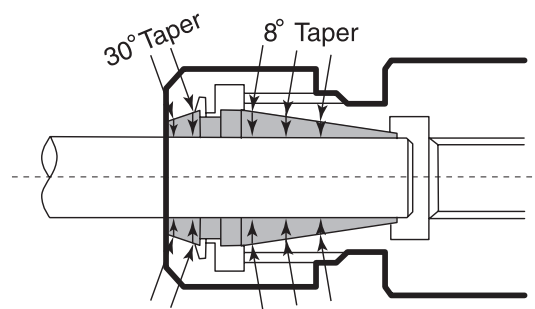
ER COLLET CHUCK

▶ Feature

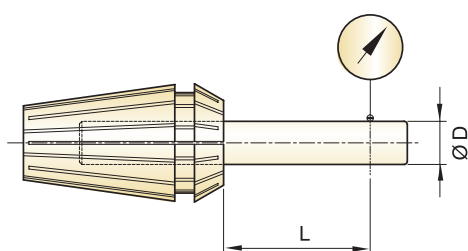
- Powerful chucking, high precision and easy operation
- Precise machining is stably maintained without chattering in High-Speed rotation.
- Due to nut designed with small bore, interference with work piece can be minimized and it enables speedy operation.
- Various nuts can be selected and used according to usage.
- Unlike single taper, double taper has long chucking part providing excellent torque power.

▶ Strong Torque Power

- Longer clamping part of double taper collet provides stronger torque power.
- Stronger torque power can be achieved if ball bearing nut is used.



▶ Standard Precision



Unit : mm

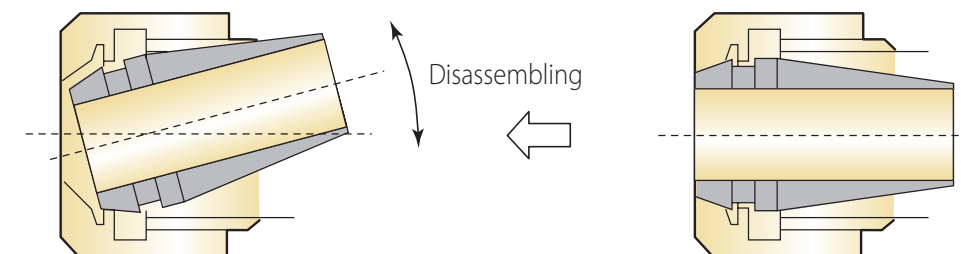
D	L	Max. T.I.R (STD.)
Ø1 ~ Ø1.6	6	0.015
Ø1.6 ~ Ø3	10	0.015
Ø3 ~ Ø6	16	0.015
Ø6 ~ Ø10	25	0.015
Ø10 ~ Ø18	40	0.020
Ø18 ~ Ø26	50	0.020
Ø26 ~ Ø34	60	0.020

- By using high precision collet, excellent T.I.R can be achievable
- With fine cutting of 16 sections, it has excellent contractile force, which makes higher precision can be achieved

ER COLLET CHUCK

▶ Easy Assembling & Disassembling

- For assembling or disassembling of collet, first gently insert groove part of collet into eccentric portion inside nut, and fasten it to same direction as screw or loosen it reversely.
- Notice : In case of Ø12.2mm tool, don't use Ø12~11mm collet.
But use collet with Ø12.5~11.5mm. (In case of general cutting process, Ø13~12mm collet is usable)



▶ Recommended Tightening Torque for the Collet Nut

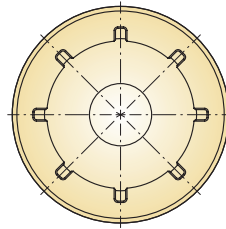
Collet Chuck Size	Clamping Range (mm)	Max. Tightening Torque (Nm)	Collet Chuck Size	Clamping Range (mm)	Max. Tightening Torque (Nm)
ER11	1.0 ~ 2.9	8	ER25	1.0 ~ 3.5	24
	3.0 ~ 7.0	24		4.0 ~ 4.5	56
ER16	1.0	8		5.0 ~ 7.5	80
	1.5 ~ 3.5	20	8.0 ~ 17.0	104	
	4.0 ~ 4.5	40	ER32	2.0 ~ 2.5	24
5.0 ~ 10.0	56	3.0 ~ 22.0		136	
ER20	1.0	16	ER40	3.0 ~ 26.0	176
	1.5 ~ 6.5	32	ER50	6.0 ~ 36.0	240
	7.0 ~ 13.0	80			

▶ Recommended Tightening Torque for the Collet Nut (Slim Type)

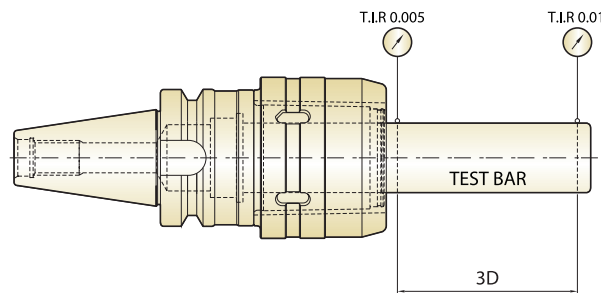
Collet Chuck Size	Clamping Range (mm)	Max. Tightening Torque (Nm)	Collet Chuck Size	Clamping Range (mm)	Max. Tightening Torque (Nm)
ER8M	0.2 ~ 5.0	6	ER20M	1.0	16
ER11M	0.2 ~ 2.9	8		1.5 ~ 13.0	28
	3.0 ~ 7.0	16	ER25M	1.0 ~ 3.5	18
ER16M	0.2 ~ 1.0	8		4.0 ~ 17.0	24
	1.5 ~ 3.5	20			
4.0 ~ 10.0	24				

POWER MILLING CHUCK

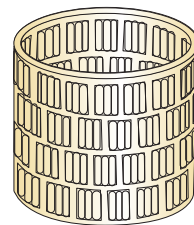
- Rigidity is strengthened through slot made at inside milling chuck, which prevents deformation of milling chuck. Smooth cutting is achieved by maximizing end mill clamping power.
- Enough thickness of clamping part prevents chattering and ensures durability.



- High precision can be achieved through accurate roundness of clamping part, deburred surface and rigidity. (deviation of concentricity : below 2, roughness : below RZ B1.0~1.5)
- Maintaining T.I.R not exceeding 0.01mm at 3D from nose part.



- 160% more of bearings are used in needle roller than other make's chucks, which provides strong clamping power and high durability by dispersing surface pressure even in case strong load is applied.



▶ **In order to improve durability, YG-1 Milling Chuck is passed through following processes.**

- "Normalizing" treatment for unifying material composition and removal internal stress.
- Ultralow temperature (-90°C) treatment called "Sub-Zero treatment" after carburizing heat treatment for prior removal of any deformation of milling chuck after use for long periods of time.

POWER MILLING CHUCK

▶ **Feature**

High-Speed POWER MILLING CHUCK

- Achieving optimum cutting for High-Speed heavy duty cutting and finishing with strong torque power
- Perfect clamping from 3mm depth of I.D entrance
- Achieving stability when exchanging and setting tools by stable fastening and unfastening torque

To use ordinary spanner

- No need for expensive Ratchet spanner ⇒ Using ordinary spanner

Lots of needle bearings

- Strong load during clamping
- Dispersing surface pressure through needle bearing

Balancing grade

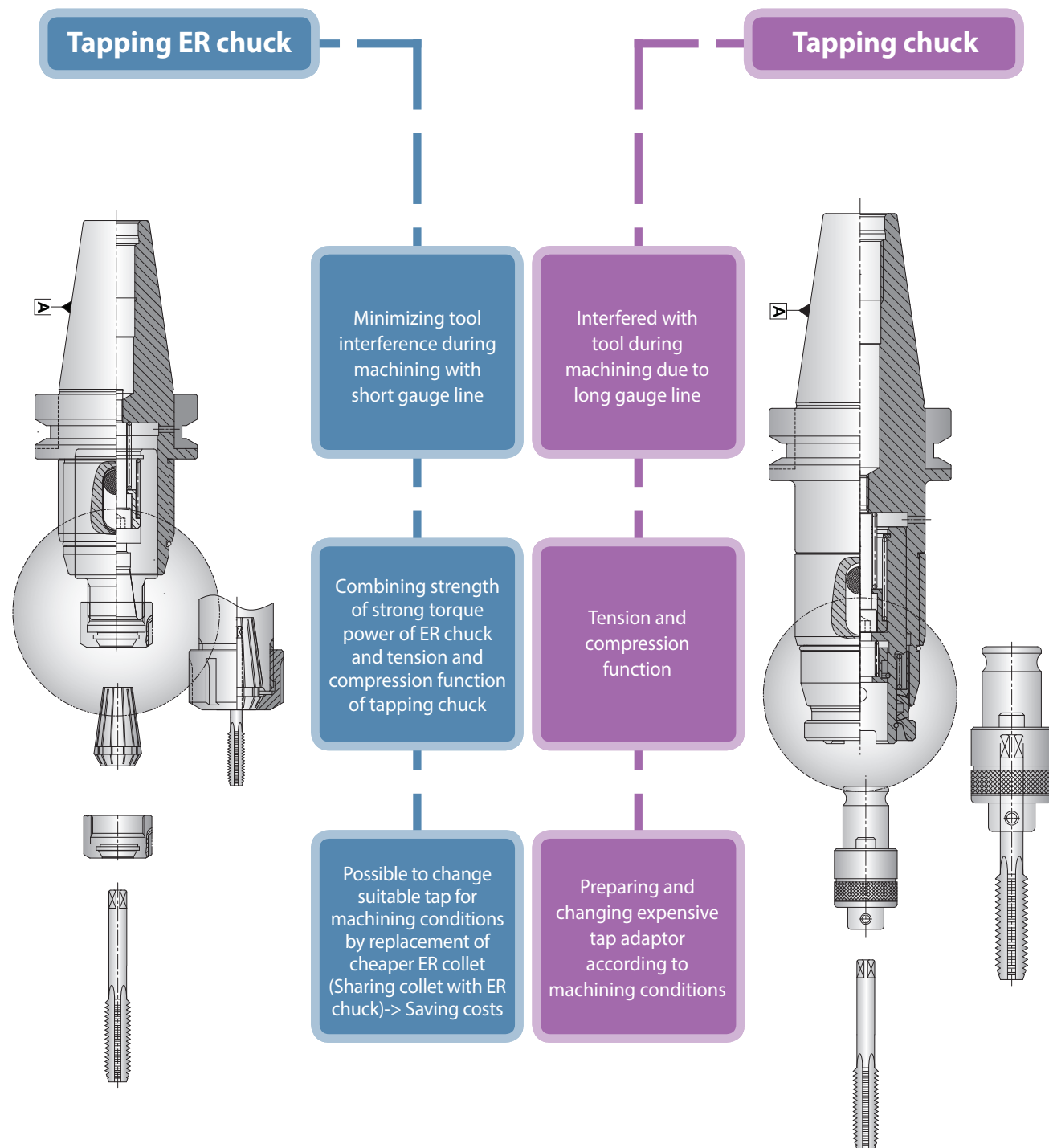
- G 6.3 / 20,000 RPM
- ⇒ Optimizing cutting effect during High-Speed heavy duty cutting and finishing

Slot design at inside milling chuck

- Strengthening body rigidity
- Preventing deformation during cutting
- Maximizing torque power
- Preventing chattering and ensuring durability

▶ **Strong Torque Power**

Milling chuck (I.D)	Standard	Tolerance (Taper shank)	Run-Out	Clamping torque
C20	AT3	ISO 30 (0~+0.002) ISO 40 (0~+0.003) ISO 50 (0~+0.004)	0.01mm at 3D	980Nm
C25				1,760Nm
C32				3,430Nm
C42				4,900Nm

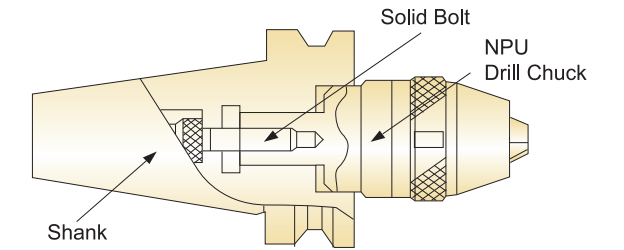


▶ Feature

YG-1 Drill Chuck is completely tightened with solid bolt, and there is no danger of falling during rotating or cutting.

▶ High Precision

• Drill chuck with excellent high precision (T.I.R 0.05mm) and shank are integrated, which guarantees excellent T.I.R



▶ Strong Chucking Power

Drill may be damaged due to reverse thrust during perforation, but with YG-1 Drill Chuck strongly tightened with wrench, there is no possibility of damage to drill.

▶ Safety

YG-1 NC Drill Chuck with strong rigidity contributes to factory automation by unmanned operation by preventing accident from occurring during operation.

- Falling of drill occurring by sudden stopping
- Falling of drill occurring by rapid rotation
- Damage to drill caused by reverse thrust during perforation process

▶ Clamping Method



▲ Keyless Type



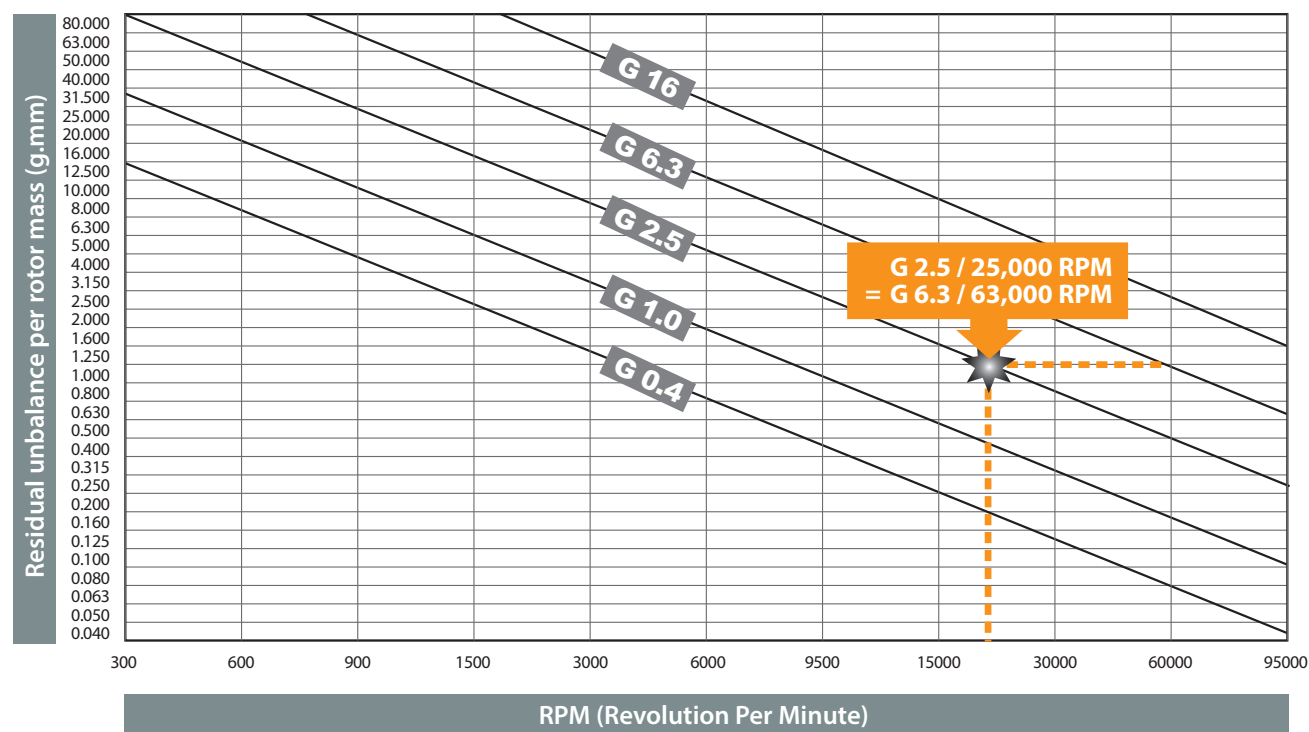
▲ Hex. Key Type

BALANCING

► Definition of Balancing and Unbalancing

If the rotor(tool holder) is rotated around the axis, centrifugal forces generate in all parts. If these centrifugal forces are distributed symmetrically against the rotation axis, the centrifugal forces generating in the opposite direction are offset by one another, resulting in no forces to the rotation axis eventually. Therefore bearings are not vibrated. In this case tool holder is in the balanced state. On the contrary, if centrifugal forces are distributed asymmetrically against the rotation axis, or if the force of one part is greater than that of the opposite part, the forces equivalent to differences are added to the rotation axis, causing the rotor(tool holder) to vibrate. The imbalance of distribution of rotor mass is called "Unbalance". In other words, "Unbalance" is mass existing unevenly in the rotor(tool holder).

► Balancing Grade Quality According to DIN ISO 1940



Calculation of G

$$\frac{G \times m}{RPM} \times 9549 = U$$

G : Balancing grade or circumference speed

m : Rotor(Holder) weight ⇒ Unit : kg

9549 : Conversion constant

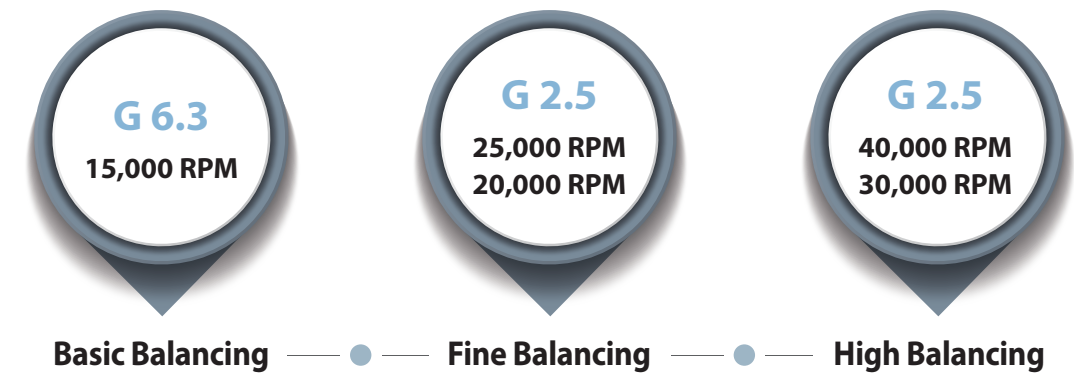
U : Degree of unbalance (Permissible unbalance) ⇒ Unit : g.mm

RPM : Revolutions Per Minute

► Merits of Balanced Machining

Recently, rotating machines are more sophisticated and operated at High-Speed with the technical advance. Also, they require more efficiency and more stable functions which are stricter conditions than ever before. In High-Speed machining, one of the largest factors which degrade performance of machines is chattering. It causes workers to suffer displeasure, noise, and fatigue which are main problems affecting productivity. Balancing of the rotor(tool holder) is the essential and effective factor in order to prevent vibration of the machine. It is widely recognized as the indispensable process in manufacturing rotation machinery. YG-1 manufactures tool holders with various balancing grades meeting the needs of users.

► Balancing Grade Standard



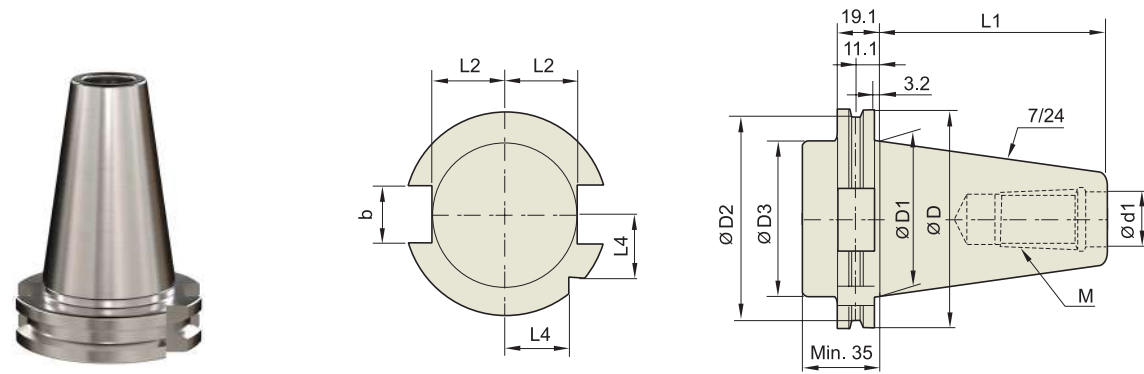
► Balancing Specification for Balancing Design Products

PRODUCT	SHANK	GRADE	RPM
HYDRAULIC CHUCK	BT/CBT 30/40/50 SK 30/40/50 HSK 32/40/50/63/80/100	G 2.5	25,000
SHRINK FIT HOLDER	BT/CBT 30/40/50 SK 30/40/50 HSK 25/32/40/50/63/80/100 ISO 25	G 2.5	25,000
OTHER CHUCKS & TOOL HOLDERS	BT/CBT 30/40/50 SK 30/40/50 HSK 25/32/40/50/63/80/100 ISO 20/25	G 6.3 G 2.5	15,000 25,000

※ Higher Balancing Grade Product Could Be Supplied Upon Customer's Request.

TECHNICAL INFORMATION

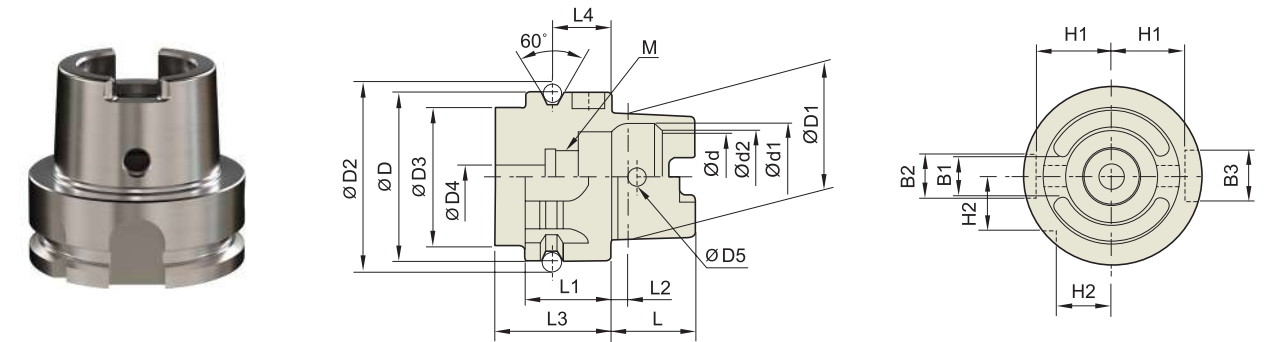
SHANK DATA - DIN 69871 (ISO 7388-1)



Unit : mm

TAPER No.	ØD	ØD1	ØD2	ØD3	Ød1	L1	L2	L3	L4	b	M
SK30	50	31.75	44.3	45	13	47.8	16.4	19	15	16.1	M12×1.75
SK40	63.55	44.45	56.25	50	17	68.4	22.8	25	18.5	16.1	M16×2.0
SK50	97.5	69.85	91.25	80	25	101.75	35.5	37.7	30	25.7	M24×3.0

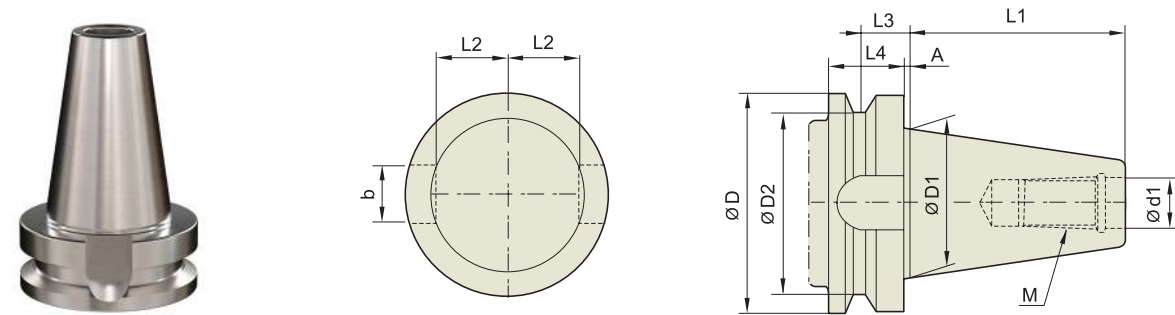
SHANK DATA - DIN 69893/ISO 12164



Unit : mm

TAPER No.	ØD	ØD1	ØD2	ØD3	ØD4	ØD5	L	L1	L2	L3	L4
HSK32A	32	24	37.00	26	4.2	4.0	16	20	3.2	35	16
HSK40A	40	30	45.00	34	5.0	4.6	20	20	4.0	35	16
HSK50A	50	38	59.30	42	6.8	6.0	25	26	5.0	42	18
HSK63A	63	48	72.30	53	8.4	7.5	32	26	6.3	42	18
HSK80A	80	60	88.8	68	10.2	8.5	40	26	8	42	18
HSK100A	100	75	109.75	88	12.0	12.0	50	29	10.0	45	20

SHANK DATA - JIS B6339/MAS 403 (ISO 7388-2)



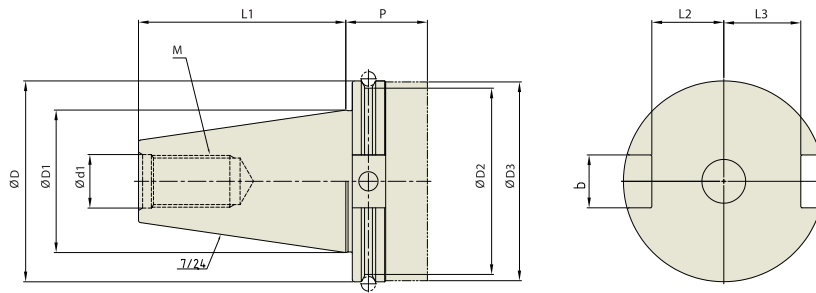
Unit : mm

TAPER No.	ØD	ØD1	ØD2	Ød1	L1	L2	L3	L4	A	b	M
BT30	46	31.75	38	12.5	48.4	16.3	13.6	20	2	16.1	M12×1.75
BT40	63	44.45	53	17	65.4	22.6	16.6	25	2	16.1	M16×2
BT50	100	69.85	85	25	101.8	35.4	23.2	35	3	25.7	M24×3
BT60	155	107.95	135	31	161.8	60.1	28.2	45	3	25.7	M30×3.5

Unit : mm

TAPER No.	Ød	Ød1	Ød2	B1	B2	B3	H1	H2	L4
HSK32A	17	20.5	19	7.05	7	9	13.0	9.5	M10×1.0
HSK40A	21	25.5	23	8.05	9	11	17.0	12.0	M12×1.0
HSK50A	26	32.0	29	10.54	12	14	21.0	15.5	M16×1.0
HSK63A	34	40.0	37	12.54	16	18	26.5	20.0	M18×1.0
HSK80A	42	50	46	16.04	18	20	34	25	M20×1.5
HSK100A	53	63.0	58	20.02	20	22	44.0	31.5	M24×1.5

ASME B5.50



ASME B5.50-CAT (OLD : 1978)

Unit : mm

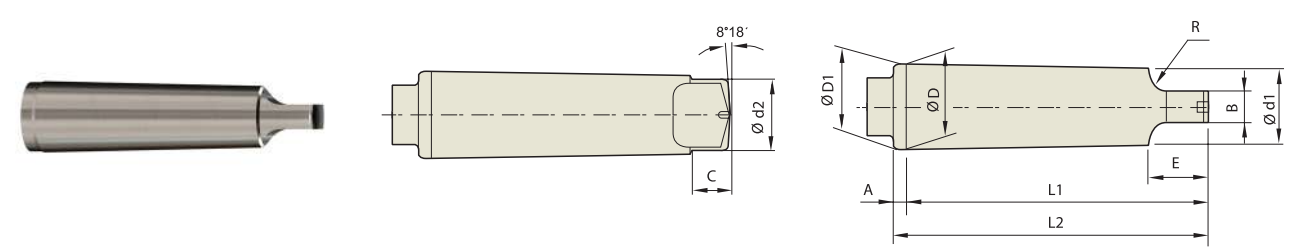
TAPER No.	ØD	ØD1	ØD2	ØD3	Ød1	L1	L2	L3	b	P	M
CAT30	50	31.75	44.3	31.75	13	47.625	16.25	18.67	16.1	-	UNC1/2-13
CAT40	63.55	44.45	56.25	44.45	17	68.25	22.6	25	16.1	-	UNC5/8-11
CAT50	97.5	69.85	91.25	70.1	25	101.6	35.3	37.7	25.7	-	UNC1-18
CAT60	155	107.95	132.56	108	32	161.93	54	59.3	25.7	-	UNC1 1/4-7

ASME B5.50-CAT (NEW : Revision 2009)

Unit : mm

TAPER No.	ØD	ØD1	ØD2	ØD3	Ød1	L1	L2	L3	b	P	M
CAT30	46.02	31.75	38.89	46.02	13	47.625	16.25	18.67	16.1	-	UNC1/2-13
CAT40	63.5	44.45	56.36	63.5	17	68.25	22.6	25	16.1	-	UNC5/8-11
CAT50	98.43	69.85	91.29	98.43	25	101.6	35.3	37.7	25.7	-	UNC1-18
CAT60	139.7	107.95	132.56	139.7	32	161.93	54	59.3	25.7	-	UNC1 1/4-7

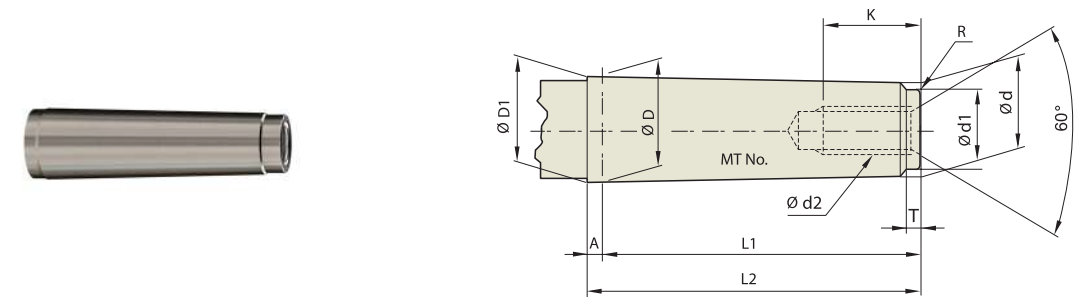
DIN 228



DIN 228 (MORSE TAPER) TANG TYPE (MTA)

Unit : mm

TAPER No.	TAPER RATIO (Rad)	TAPER ANGLE (α)	ØD	A	ØD1	Ød1	L1	L2	Ød2	B	C	E	R
MT0	1/19.212	1°29'27"	9.045	3	9.045	6.104	56.5	59.5	6.0	3.9	6.5	10.5	4
MT1	1/20.047	1°25'43"	12.065	3.5	12.065	8.972	62.0	65.5	8.7	5.2	8.5	13.5	5
MT2	1/20.020	1°25'50"	17.780	5	17.780	14.034	75.0	80.0	13.5	6.3	10	16	6
MT3	1/19.922	1°26'16"	23.825	5	23.825	19.107	94.0	99.0	18.5	7.9	13	20	7
MT4	1/19.254	1°29'15"	31.267	6.5	31.267	25.164	117.5	124.0	24.5	11.9	16	24	8
MT5	1/19.002	1°30'26"	44.399	6.5	44.399	36.531	149.5	156.0	35.7	15.9	19	29	10
MT6	1/19.180	1°29'36"	63.348	8	63.348	52.399	210.0	218.0	51.0	19.0	27	40	13
MT7	1/19.231	1°29'22"	83.058	10	83.058	68.186	286.0	296.0	66.8	28.6	35	54	19



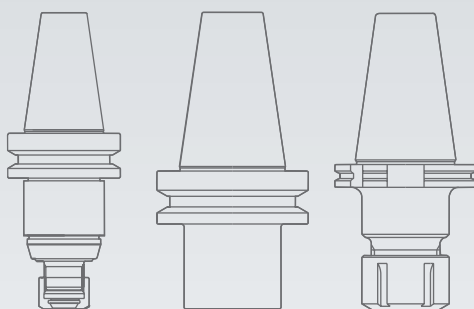
DIN 228 (MORSE TAPER) SCREW TYPE (MTB)

Unit : mm

TAPER No.	TAPER RATIO (Rad)	TAPER ANGLE (α)	ØD	A	ØD1	d	L1	L2	Ød1	d2	K	T	R
MT0	1/19.212	1°29'27"	9.045	3	9.201	6.442	50	53	6.4	-	-	4	0.2
MT1	1/20.047	1°25'43"	12.065	3.5	12.230	9.396	53.5	57	9.4	M6	16	5	0.2
MT2	1/20.020	1°25'50"	17.780	5	18.030	14.583	64	69	14.6	M10	24	5	0.2
MT3	1/19.922	1°26'16"	23.825	5	24.076	19.759	81	86	19.8	M12	28	7	0.6
MT4	1/19.254	1°29'15"	31.267	6.5	31.605	25.943	102.5	109	25.9	M16	32	9	1
MT5	1/19.002	1°30'26"	44.399	6.5	44.741	37.584	129.5	136	37.6	M20	40	9	2.5
MT6	1/19.180	1°29'36"	63.348	8	63.765	53.859	182	190	53.9	M24	50	12	4
MT7	1/19.231	1°29'22"	83.058	10	83.578	70.058	250	260	70.0	M33	80	18.5	5



Global Cutting Tool Leader **YG-1**



TOOLING SYSTEM